

# Concealed Carrier System for Wall-Hung Urinals



Model 111.625.00.1

## Product Specifications

Concealed carrier system with actuator flush panel for residential 2-hole wall-hung urinals. System shall fit within 3" (75 mm) framing wall or plumbing chase. Framing members should provide support similar to 2" x 6" (51 mm x 152 mm) wood construction or steel framing members placed 19 3/4" (500 mm) apart. Water supply shall have flow diameter no smaller than 1/2" (13 mm) copper tube, and a minimum flow pressure of 35 PSI (0.24 MPa). The urinal shall be a third

party listed maximum 0.5 GPF (1.9 LPF) 2-hole wall-hung type. The carrier frame shall be adjustable. Actuator flush panels shall be die-cast zinc, molded plastic or fabricated stainless steel and plated to preserve material integrity. All components shall be compliant with applicable codes and product standards.

## Warranty

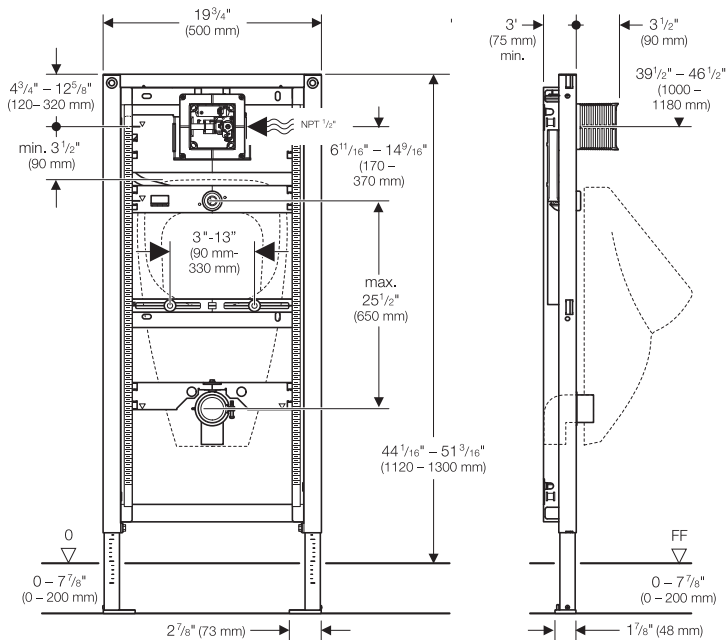
Limited lifetime warranty on flush valve and carrier. One-year warranty on actuator flush panels.

## Features

- Water consumption - 0.5 GPF (1.9 LPF)
- 16-gauge, powder-coated, structural-steel tubing rated to 110 lbs (50 kg) without damage to finished wall or carrier unit
- 44 1/16" (1119 mm) frame height depending on urinal
- Installation hardware included.

Complies with the latest editions of:

- ASME: A112.6.2
- ASSE 1037
- CSA B125.3



Product specifications subject to change without notice.

ARCHITECT/ENGINEER APPROVAL	
Job Name	_____
Date	_____
Quantity	_____
Model Specified	_____
Variations Specified	_____
Customer/Wholesaler	_____
Contractor	_____
Architect	_____

Geberit  
2100 S. Clearwater Drive  
Des Plaines, IL 60018

800/566-2100  
Fax 847/803-5454  
www.geberit.us