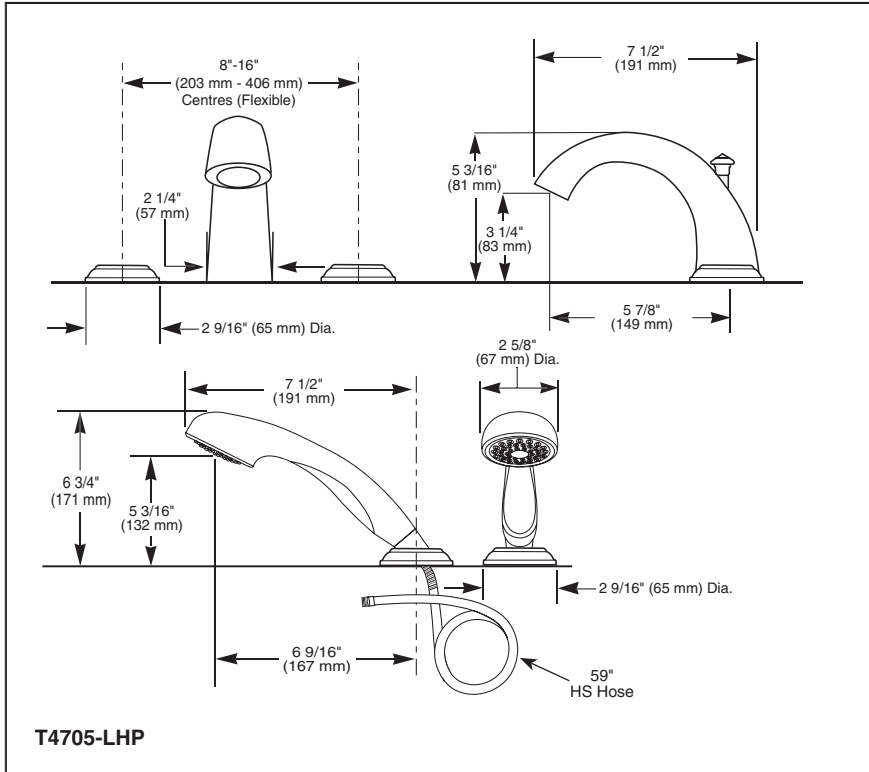


T4705-LHP

Submitted Model No.: \_\_\_\_\_  
 Specific Features: \_\_\_\_\_



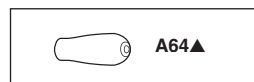
T4705-LHP

**Available LHP Handle Options**

▲ Designate proper finish suffix

<p><b>H61▲</b></p> <p>1 1/2" (38 mm)</p>	<p><b>H64▲</b></p> <p>3 1/4" (83 mm)</p>	<p><b>H65▲</b></p> <p>2 1/2" (64 mm)</p>
<p><b>H612▲</b></p> <p>3" (76 mm)</p>	<p><b>H615▲</b></p> <p>3" (76 mm)</p>	

**Available LHP Handle Accent Options**



Delta reserves the right (1) to make changes in specifications and materials, and (2) to change or discontinue models, both without notice or obligation. Dimensions are for reference only. See current full-line price book or www.specselectionline.com for finish options and product availability.

DSP-B-2705-LHP Rev. A



**ROMAN TUB/WHIRLPOOL FAUCET TRIM**

- Two Handle Roman Tub Faucet
- Complete Trim
- Four Hole Installation (T4705 Series)
- Rough-In Kit Must Also be Ordered to Complete Installation

**STANDARD SPECIFICATIONS:**

- Trim Only for two handle Roman Tub faucet for concealed mounting.
- 7 1/2" (191 mm) long, 5 3/16" (132 mm) high slip-on rigid spout.
- LHP - Less Handle Program. See handle option below.
- Temperature and volume controlled with handles.
- Rough-In kit must also be ordered to complete installation. There are separate specification sheets on each rough-in kit if more details are required.
- Handshower includes double check valves for backflow prevention.

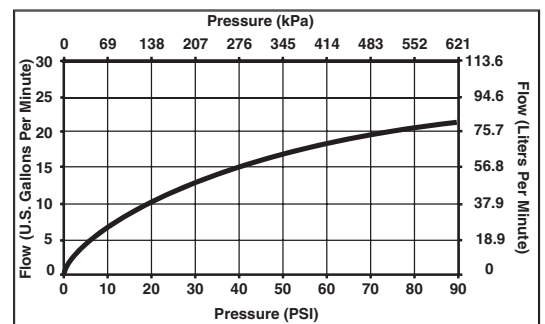
**WARRANTY**

- Lifetime Faucet and Finish Limited Warranty to the original consumer purchaser to be free from defects in material and workmanship.
- 5 Year Limited Warranty for usage in all industrial, commercial and business applications.



**COMPLETE VALVE COMPLIES WITH:**

- ASME A112.18.1 / CSA B125.1
- Indicates ADA compliance to ICC/ANSI A117.1



55 E. 111th Street, Indianapolis, IN 46280  
 395 Matheson Blvd. E., Mississauga, ON L4Z 2H2  
 © 2007 Masco Corporation of Indiana