

# Central Brass

C O M P A N Y

Brecksville, Ohio 44141

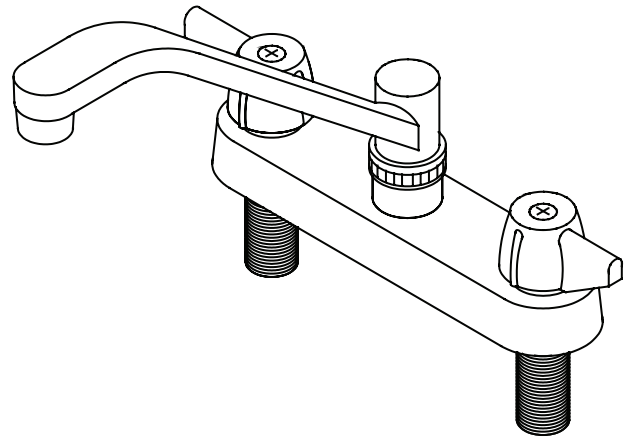
Phone: (216) 883-0220 Fax: (440) 526-5745

www.CentralBrass.com

MODEL NO. 0127-A  
KITCHEN TOPMOUNT

The 6-inch center topmounted kitchen faucet has a cast brass body that is copper, nickel and chrome plated. The compression stems are all brass with a double O-Ring seal and rubber seat washer. The canopy handles are zinc die cast with a chrome plated finish. The 8-inch swivel "D" spout is brass with a chrome plated finish and is fitted with a water saving aerator that limits the flow rate. The O-Rings and seals are rubber.

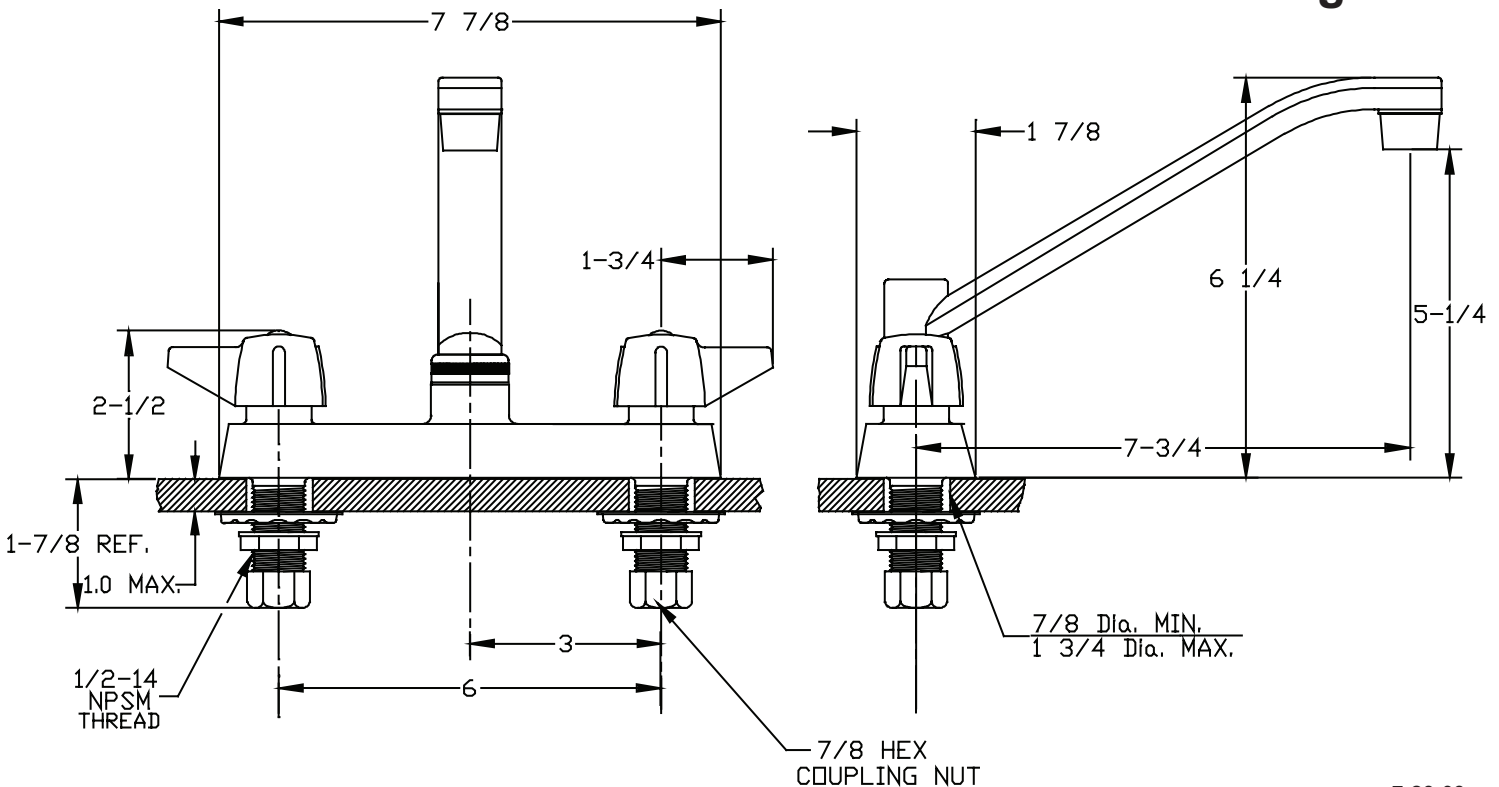
Flow Rate: 2.0 GPM @ 60 psi  
ADA Compliant and Meets ASME A112.18.1M  
ANSI/NSF 61/Section 9 Certified



Certified to  
ANSI/NSF 61 Section 9



## Installation Drawing



# Central Brass

C O M P A N Y

Brecksville, Ohio 44141

Phone: (216) 883-0220 Fax: (440) 526-5745

www.CentralBrass.com

**MODEL NO. 0127-A  
KITCHEN TOPMOUNT**

Suffix Options  
& Accessories

## Handle variations available

Wrist 4-inch

Elbow 6-inch



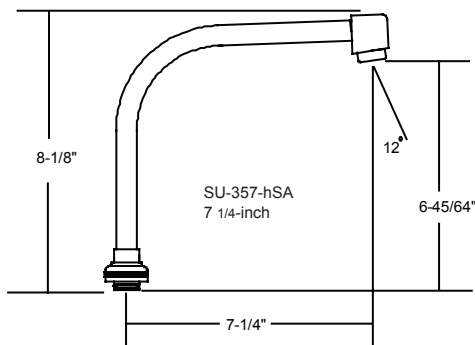
G-4147 (4-inch)  
G-4149 (6-inch)



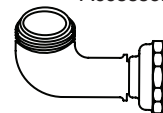
Faucets with lever, wrist or elbow handles with compression or ceramic stem cartridges are ADA compliant.

## Spout variations available

A8 - Suffix  
7 1/4-inch High-Rise Swivel Spout

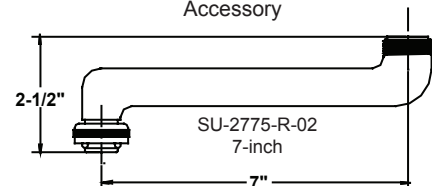


Wall Mount  
Spout Adaptor  
Accessory



G-1748-88W

Cast Brass Spout  
Extension  
Accessory



Drinking water products tested and certified by NSF International to ANSI/NSF Standard 61, Section 9. Each product required to meet the standard proudly exhibits the NSF logo.

# Central Brass

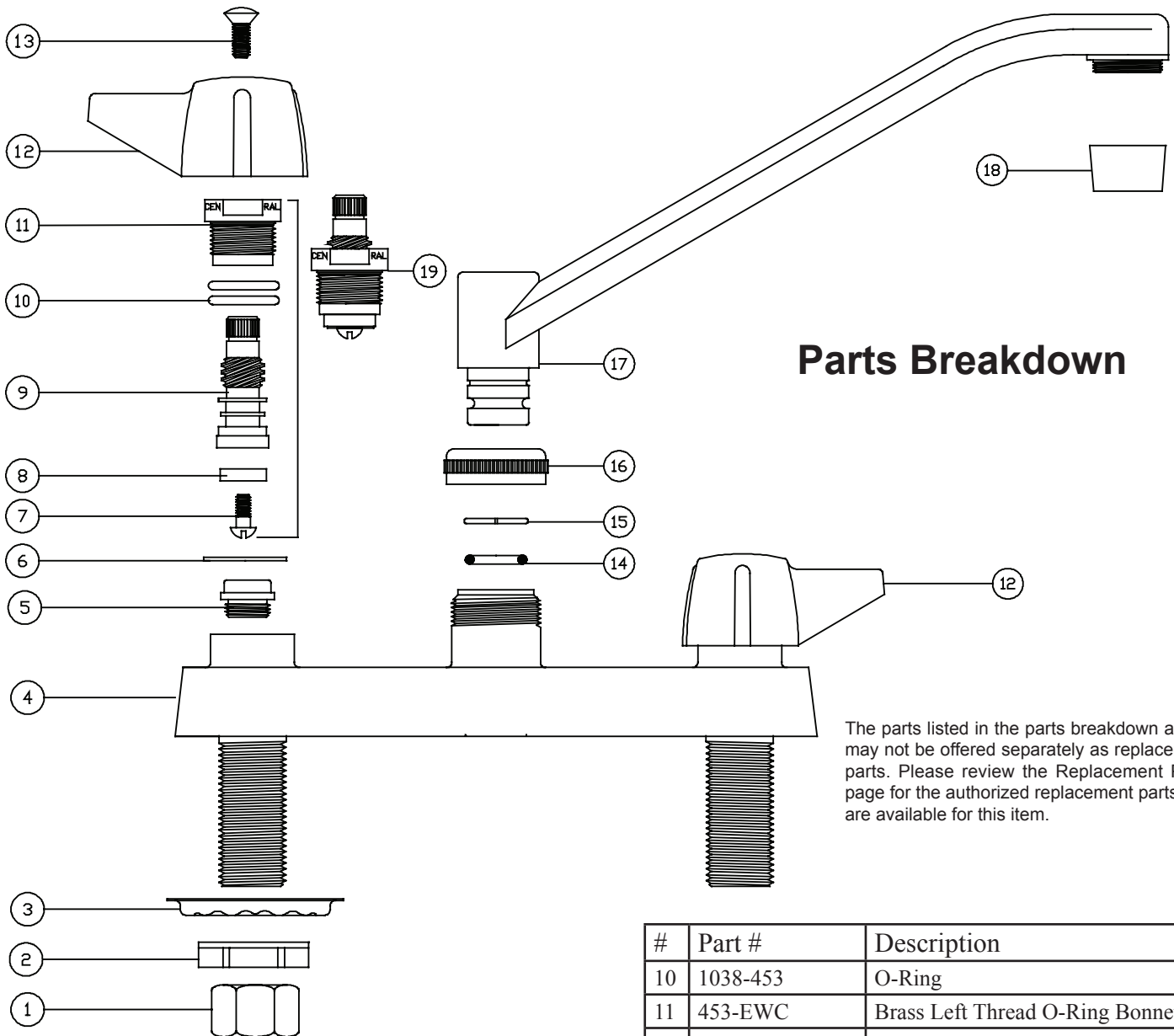
COMPANY

Brecksville, Ohio 44141

Phone: (216) 883-0220 Fax: (440) 526-5745

www.CentralBrass.com

**MODEL NO. 0127-A  
KITCHEN TOPMOUNT**



## Parts Breakdown

The parts listed in the parts breakdown above may not be offered separately as replacement parts. Please review the Replacement Parts page for the authorized replacement parts that are available for this item.

#	Part #	Description
1	4015-BARP	Brass Coupling Nut
2	7133-AZ	Zinc Dichromate Locknut
3	54	Steel Crowfoot Washer
4	2158	Brass Faucet Body
5	263-BC	Bronze Seat
6	1028-Y	Nylon Gasket
7	104	Brass Seat Washer Screw
8	901-WNN	Seat Washer
9	453-FL	Brass Left Thread O-Ring Stem
9	453-FR	Brass Right Thread O-Ring Stem

#	Part #	Description
10	1038-453	O-Ring
11	453-EWC	Brass Left Thread O-Ring Bonnet
11	453-EWH	Brass Right Thread O-Ring Bonnet
12	523-C	Handle Indexed "C"
12	523-H	Handle Indexed "H"
13	107-F	Brass Phillips Head Screw
14	1038-KN	O-Ring
15	166-FN	Stainless Steel Snap Ring
16	PF-782-D	Brass Spout Nut
17	365-D	Brass Swivel "D" Spout
18	30-M	Female Aerator
19	SU-453-EL	Left Thread O-Ring Stem Assembly
19	SU-453-ER	Right Thread O-Ring Stem Assembly