



McGuire Manufacturing Co., Inc.

60 Grandview Court
 P.O. Box 746 • Cheshire, CT 06410
 203-699-1801 • Fax: 203-699-1813
 www.mcguiremfg.com

PRODUCT SPECIFICATION

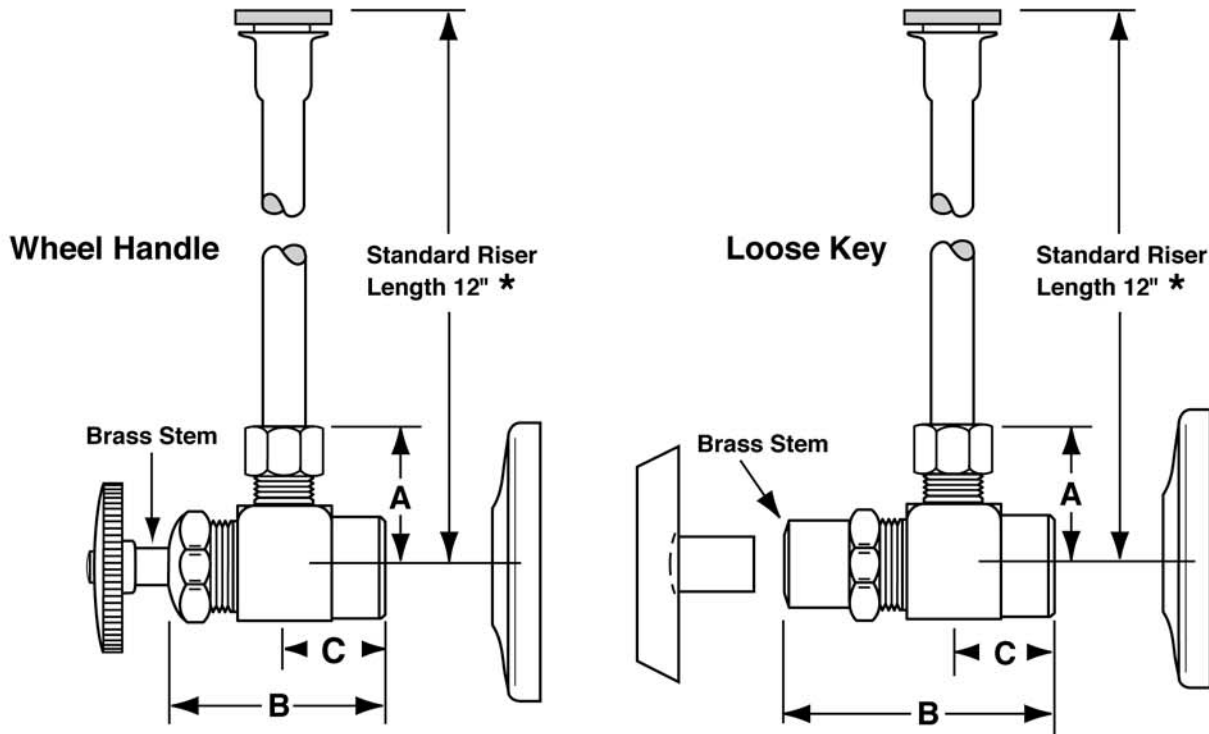
Part No.

**LFH166, LFH166LK,
 LFH169, LFH169LK**

**Heavy Closet Supply
 3/8" I.P.S. x O.D.**

Job Name: _____

Submittal Number: _____



NO.	DESCRIPTION	ROUGHING MEASUREMENTS		
		A	B	C
LFH166	3/8" I.P.S. x 3/8" O.D.	1-3/8"	1-15/16"	1"
LFH166LK	3/8" I.P.S. x 3/8" O.D.	1-3/8"	2-7/16"	1"
LFH169	3/8" I.P.S. x 1/2" O.D.	1-3/8"	1-15/16"	1"
LFH169LK	3/8" I.P.S. x 1/2" O.D.	1-3/8"	2-7/16"	1"

LK designates Loose Key

* See options and accessories section for details on product variations.



Specifications:

Supply kit shall include lead free chrome plated heavy pattern brass supply stop valves with full turn brass stem, no plastic, (12, 15, 20) inch chrome plated risers and (shallow, deep, bell) (steel, brass) or (forged brass with set screw) flange. Inlet shall be (3/8, 1/2) inch (IPS, sweat, compression). Outlet shall be (3/8, 1/2) inch (IPS, compression). Supply kit shall be McGuire _____. Supply kit shall be certified by recognized authority and bear manufacturer and testing mark.