

### Features

- Acid-resistant enamel finish.
- Black underside finish.
- 45-inch-wide single bowl.
- 9" (229 mm) depth provides generous workspace.
- Three faucet holes at deck center.
- Integral apron and backsplash.
- Includes a walnut cutting board, multipurpose grated rack, utility rack, utility rack with soaking cup, left and right sink racks, and a towel bar.

### Material

- KOHLER® enameled cast iron.

### Installation

- Top-mount with custom cabinetry, or wall-mount with coordinating K-21104 or K-21105 legs (sold separately).

### Recommended Products/Accessories

- K-8801 Sink Strainer
- K-8799 Sink Strainer
- K-21104 contemporary legs
- K-21105 transitional legs
- K-23726 Drain treatment
- K-23725 Cast iron cleaner

### Optional Products/Accessories

- K-11352 Disposal Flange with Stopper



### Codes/Standards

ASME A112.19.1/CSA B45.2


### KOHLER® Enameled Cast Iron Kitchen Sink Lifetime Limited Warranty

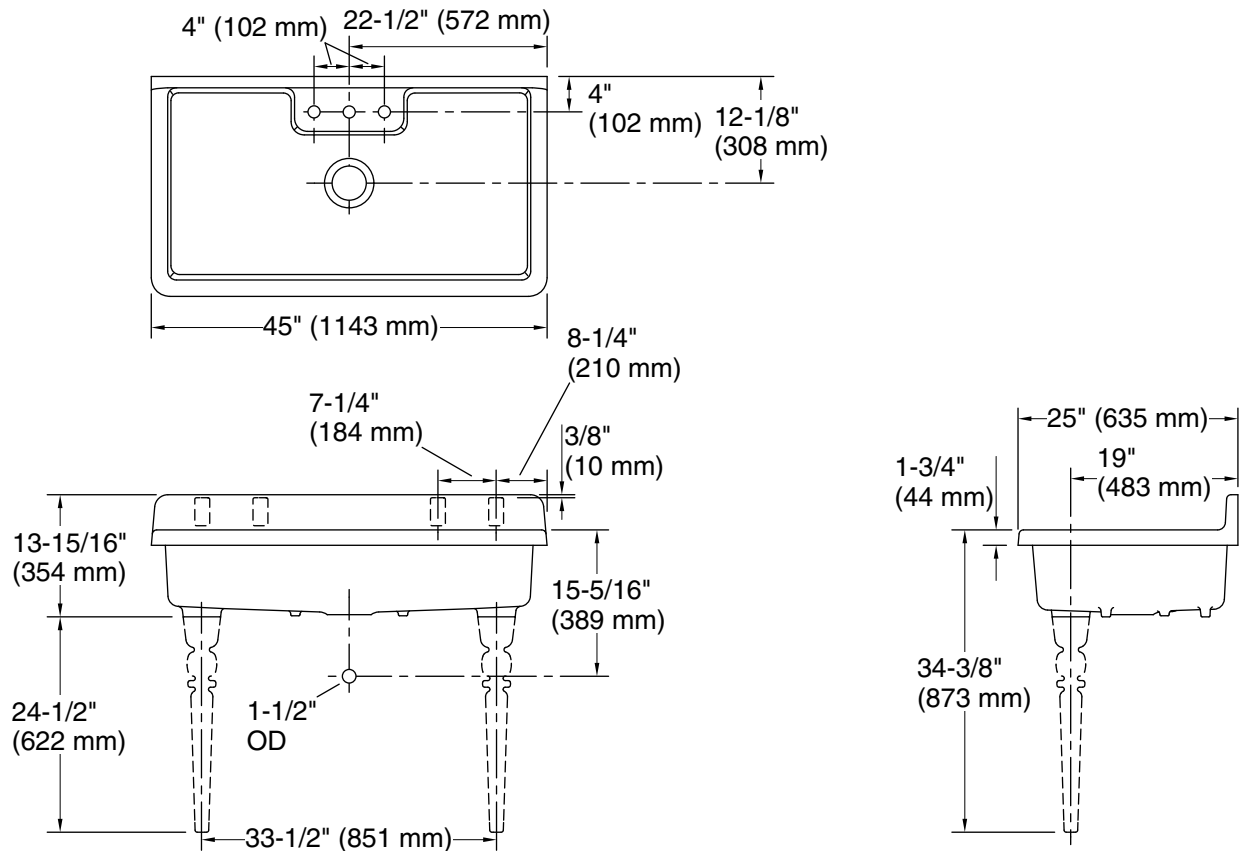
See website for detailed warranty information.

### Available Colors/Finishes

*Color tiles intended for reference only.*

| Color | Code | Description |
|-------|------|-------------|
|-------|------|-------------|

|  |   |       |
|--|---|-------|
|  | 0 | White |
|--|---|-------|



### Technical Information

All product dimensions are nominal.

|                   |                               |
|-------------------|-------------------------------|
| Bowl area (Only): | Length: 41-1/4" (1048 mm)     |
|                   | Width: 21-5/8" (549 mm)       |
|                   | Bowl depth: 9" (229 mm)       |
|                   | Water depth: 9" (229 mm)      |
| Drain hole:       | 3-7/8" (98 mm)                |
| Template:         | 1327839-7, required, included |

### Notes

Install this product according to the installation instructions.

**NOTICE:** Countertop manufacturer or cutter must use the cut-out template provided with the product, or a current one provided by Kohler Co. (call 1-800-4-KOHLER). Kohler Co. is not responsible for cutout errors when the incorrect cut-out template is used.