

Royal® Prison Model Flushometer

603



► Description

Concealed Water Closet Flushometer, for Stainless Steel Combination Fixtures. For use with: Acorn® • Bradley® • Metcraft® (Series 3000) • Willoughby® and similar fixtures.

► Flush Cycle

- Model 603 Water Saver (3.5 gpf/13.2 Lpf)
- Model 603-1.6 Low Consumption (1.6 gpf/6.0 Lpf)

► Specifications

Quiet, Concealed, Diaphragm Type, Rough Brass Closet Flushometer for either left or right hand supply with the following features:

- PERMEX™ Synthetic Rubber Diaphragm with Dual Filtered Fixed Bypass
- Metal Direct Acting, Non-Hold-Open Push Button with a Triple Seal Handle Packing
- 1" I.P.S. Wheel Handle Bak-Chek™ Angle Stop
- Adjustable Tailpiece
- High Back Pressure Vacuum Breaker
- Elbow Flush Connection and Coupling for 1½" NPT Back Inlet (for connection in the pipe chase — flush connection through the wall not provided by Sloan)
- Sweat Solder Adapter
- Exposed parts Chrome Plated
- High Copper, Low Zinc Brass Castings for Dezincification Resistance
- Non-Hold-Open Push Button, Fixed Metering Bypass and No External Volume Adjustment to Ensure Water Conservation
- Flush Accuracy Controlled by CID™ Technology
- Diaphragm, Handle Packing, Stop Seat and Vacuum Breaker molded from PERMEX™ Rubber Compound for Chloramine Resistance
- 100% of the energy used in manufacturing is offset with Renewable Energy Sources – Wind Energy

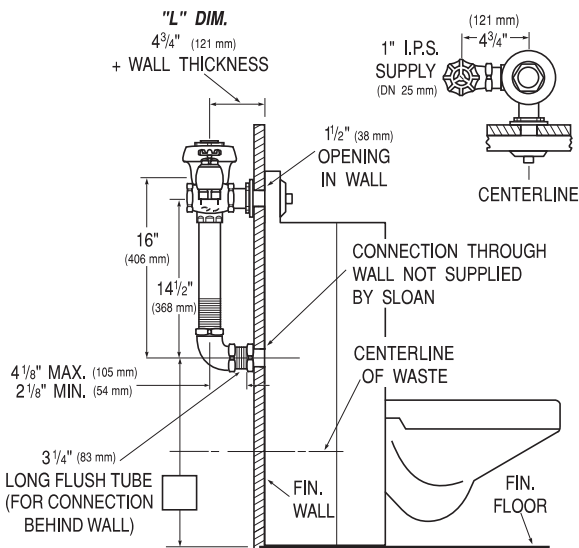
Valve Body, Cover, Tailpiece and Control Stop shall be in conformance with ASTM Alloy Classification for Semi-Red Brass. Valve shall be in compliance to the applicable sections of ASSE 1037.

► L Dimension

Specify the "L" Dimension for the proper length of the Push Button Assembly. The "L" Dimension is equal to the Wall Thickness (to the nearest whole inch) plus 4¾".

► Variations

- AFD** Shorter Vacuum Breaker - for use with Anti-Flood Device (Anti-Flood Device NOT provided by Sloan) *Not required for use with Bradley Flood Buster®
- ES** Solenoid Operated (specify 24 VAC or 120 VAC)
- ESM** Solenoid Operated with Modular Plug for use with Sloan PWT Systems (24 VAC only)
- TP** Trap Primer Elbow
- WB** For installation with Sloan Easy Access® Wall Box
- XV** Less Vacuum Breaker



Made In The
USA



Sloan Valve Company is buying renewable energy certificates to meet 100% of the company's purchased electricity use at its Franklin Park, Illinois facility.

This space for Architect/Engineer approval

The information contained in this document is subject to change without notice.

SLOAN®

Made in the U.S.A.
SLOAN VALVE COMPANY • 10500 SEYMOUR AVE. • FRANKLIN PARK, IL. 60131
Ph: 1-800-9-VALVE-9 or 1-847-671-4300 • Fax: 1-800-447-8329 or 1-847-671-4380
<http://www.sloanvalve.com>

 Listed by I.A.P.M.O.