

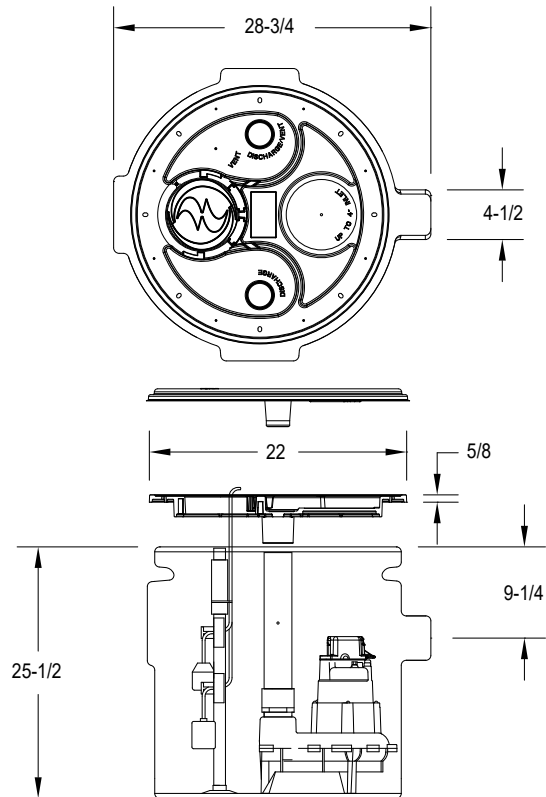
Product information presented here reflects conditions at time of publication. Consult factory regarding discrepancies or inconsistencies.

## TECHNICAL DATA SHEET

### NEW 912 PACKAGE SYSTEMS PREASSEMBLED SEWAGE SYSTEMS FOR FAST INSTALLATION.

#### PUMP SPECIFICATIONS

<b>MOTOR</b>	Voltage	115
	Phase	1
	Hertz	60
	RPM	1400 or 2800
	Type	Permanent split capacitor
	Insulation	Class B
	Amps	4.4 - 8.5
	<b>PUMP</b>	Operation
Auto On / Off		Varies based on package
Discharge Size		2" NPT
Solids Handling		2" (50 mm) spherical solids
Cord Length		20' (6 m) standard
Max. Head		14' (4.3 m), 22" (6.7 m), 45.6' (13.9 m)
Max. Flow Rate		92 GPM (20.9 m <sup>3</sup> /hr), 106 GPM (24 m <sup>3</sup> /hr), 149 GPM (33.8 m <sup>3</sup> /hr)
Max. Operating Temp.		130 °F (54 °C)
Cooling		Oil filled
Motor Protection		Auto reset thermal overload
<b>MATERIALS</b>		Cap
	Motor Housing	Cast iron
	Pump Housing	Cast iron
	Base	Engineered plastic or cast iron
	Upper Bearing	Sleeve bearing
	Lower Bearing	Sleeve or ball bearing
	Mechanical Seals	Carbon/ceramic
	Impeller Type	Non-clogging vortex
	Impeller	Engineered plastic
	Hardware	Stainless steel
	Motor Shaft	1215 cold rolled steel, 1144 steel or JIS S45C steel
	Gasket	Neoprene



SK3308

24" x 24" (61 x 61 cm) shown, 18" x 30" (46 x 76 cm) and 24" x 36" (61 x 91 cm) also available.

#### BASIN SPECIFICATIONS

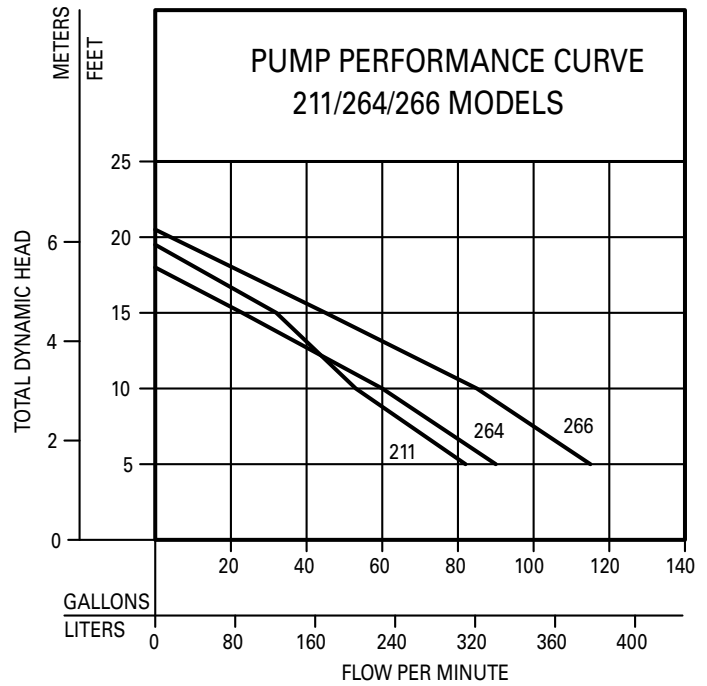
- Polyethylene basin
- Polyethylene structural foam cover with 2" vent and 2" discharge
- 41 gallon (155 liter) capacity
- Integral foam seal



**WARNING** These systems are not designed for hazardous environments. Please consult factory for special options and requirements.

## TOTAL DYNAMIC HEAD FLOW PER MINUTE

MODELS		211		264		266	
Feet	Meters	Gal.	Liters	Gal.	Liters	Gal.	Liters
5	1.5	82	310	90	341	115	435
10	3.0	53	201	60	227	85	322
15	4.6	32	121	23	87	45	170
Shut-off Head:		19.5 ft.(5.9m)		18 ft.(5.5m)		20.5 ft.(6.2m)	

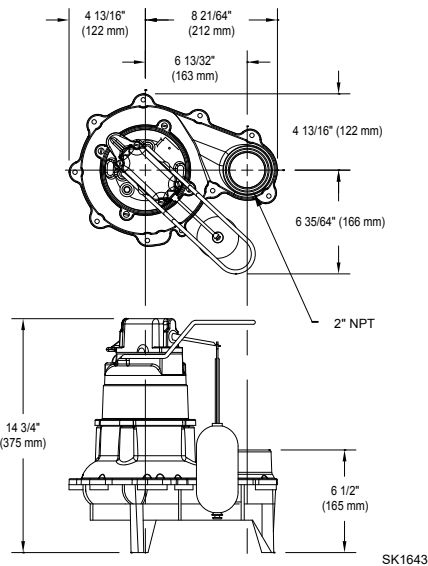


009969

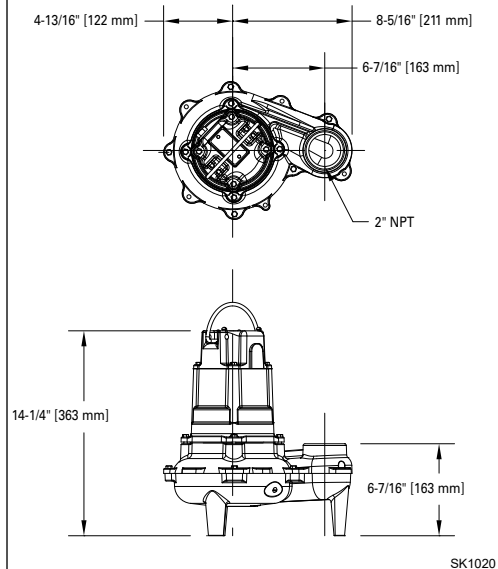
### CAUTION

All installation of controls, protection devices and wiring should be done by a qualified licensed electrician. All electrical and safety codes should be followed including the most recent National Electrical Code (NEC) and the Occupational Safety and Health Act (OSHA).

### MODEL 264



### MODEL 266



See FM2787 (model 211), FM2788 (model 264), FM2789 (model 266) for complete pump specifications.

### SEWAGE PACKAGES\*

Model	Pump	HP	Voltage/Ph	Amps	Discharge	Weight Lbs / Kg	Alarm?
912-1141	M264	4/10	115 V / 1Ph	9.4	2"	62 / 28	N
912-1142	BN264	4/10	115 V / 1Ph	9.4	2"	62 / 28	N
912-1143	M266	1/2	115 V / 1Ph	10.4	2"	67 / 30	N
912-1144	BN266	1/2	115 V / 1Ph	10.4	2"	67 / 30	N
912-1147	M264	4/10	115 V / 1Ph	9.4	2"	62 / 28	Y
912-1149	M266	1/2	115 V / 1Ph	10.4	2"	67 / 30	Y

\*CONSULT FACTORY FOR OTHER SEWAGE AND GRINDER OPTIONS.