

# Central Brass

C O M P A N Y

Brecksville, Ohio 44141

Phone: (216) 883-0220 Fax: (440) 526-5745

www.CentralBrass.com

MODEL NO. 0048-UA1

SINK FIXTURE

ADA COMPLIANT

The wall mounted sink fitting is designed with a solid cast brass body with replaceable seats. The flanges are all brass and have 1/2-inch female pipe connections. The inlet supply location is adjustable by rotating the flange to obtain a 1/4-inch center variation. The 8-inch spout has a water saving aerator that limits the flow. The stems are all brass with a double O-Ring seal and rubber seat washer. The canopy handles are zinc die cast with a chrome plated finish. The faucet and flanges are polished and copper, nickel, and chrome plated. The soap dish and post are brass with a chrome plated finish.



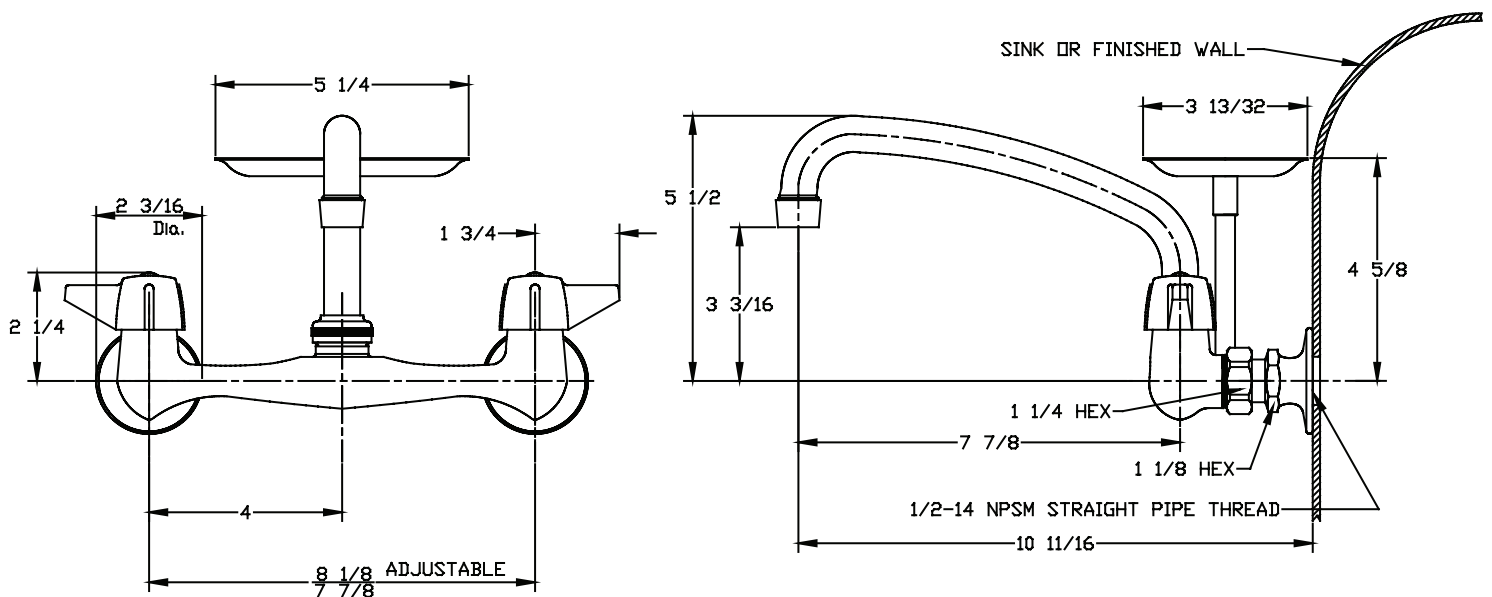
Flow Rate: 2.0 GPM @ 60 psi

ADA Compliant and Meets ASME A112.18.1M

Certified by IAPMO R&T to NSF/ANSI 61



## Installation Drawing



# Central Brass

C O M P A N Y

Brecksville, Ohio 44141

Phone: (216) 883-0220 Fax: (440) 526-5745

www.CentralBrass.com

**MODEL NO. 0048-UA1**

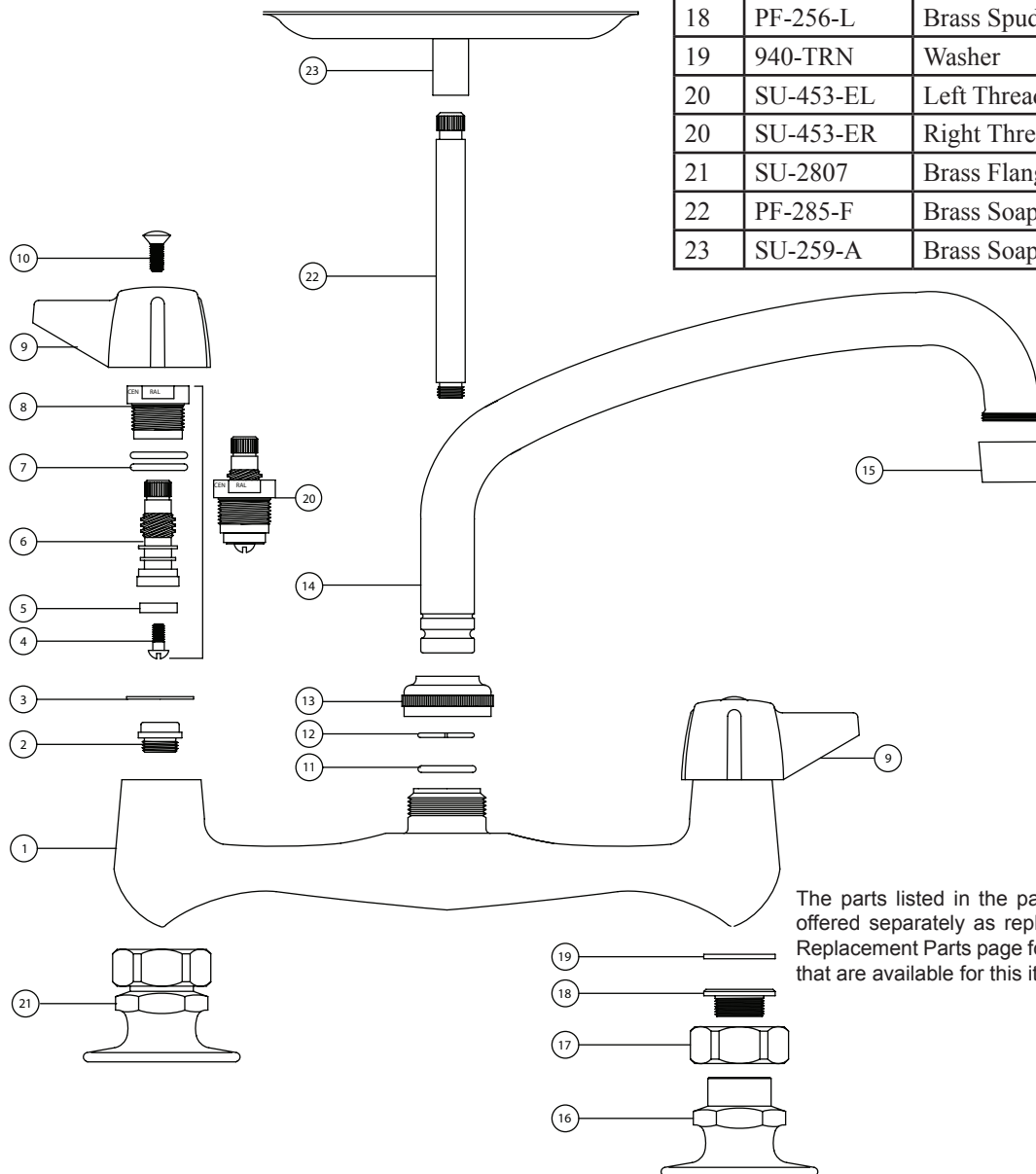
**SINK FIXTURE**

**ADA COMPLIANT**

## Parts Breakdown

#	Part #	Description
1	2831-CP	Brass Faucet Body
2	263-BC	Bronze Seat
3	1028-Y	Nylon Gasket
4	104	Brass Seat Washer Screw
5	901-WNN	Seat Washer
6	453-FL	Brass Left Thread O-Ring Stem
6	453-FL	Brass Right Thread O-Ring Stem
7	1038-453	O-Ring

#	Part #	Description
8	453-EWC	Brass Left Thread O-Ring Bonnet
8	453-EWH	Brass Right Thread O-Ring Bonnet
9	523-C	Handle Indexed "C"
9	523-H	Handle Indexed "H"
10	107-F	Brass Phillips Head Screw
11	1038-KN	O-Ring
12	166-FN	Stainless Steel Snap Ring
13	PF-782-DES	Brass Spout Nut
14	PF-363-RA	Brass Swivel Spout
15	30-M	Femal Aerator
16	2807	Brass Offset Flange
17	PF-2843-49	Brass Hex Spout Nut
18	PF-256-L	Brass Spud
19	940-TRN	Washer
20	SU-453-EL	Left Thread O-Ring Stem Assembly
20	SU-453-ER	Right Thread O-Ring Stem Assembly
21	SU-2807	Brass Flange Assembly
22	PF-285-F	Brass Soap Dish Post
23	SU-259-A	Brass Soap Dish



The parts listed in the parts breakdown above may not be offered separately as replacement parts. Please review the Replacement Parts page for the authorized replacement parts that are available for this item.