

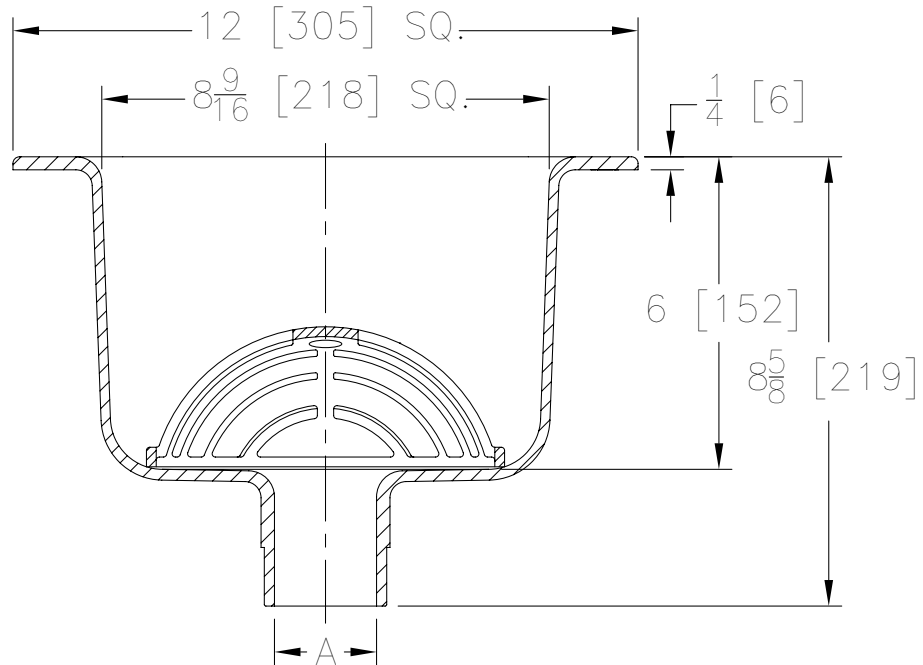
**FD2375**

12X12 [305X305] A.R.E FLOOR SINK 6 [152] SUMP DEPTH

SPECIFICATION SHEET

TAG \_\_\_\_\_

Design and Dimensional Data (inches and [ mm ]) are Subject to Manufacturing Tolerances and Change Without Notice



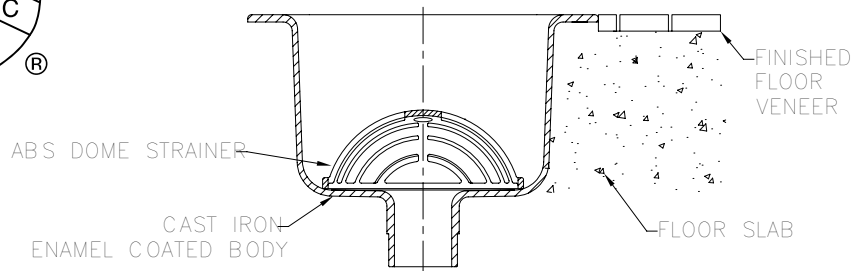
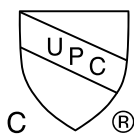
Product	"A" Connections
____ FD2375-NH2	2 [51] No-Hub
____ FD2375-NH3	3 [76] No-Hub
____ FD2375-NH4	4 [102] No-Hub

**FD2375 12x12 [305x305] A.R.E. Floor Sink 6 [152] Sump Depth**

Recommended for sanitary installations. Cast iron body with a white acid-resisting porcelain enamel interior coating, and an ABS anti-splash dome strainer.

**OPTIONS:**

- \_\_\_\_ -F Full Grate
- \_\_\_\_ -H 1/2 Grate
- \_\_\_\_ -T 3/4 Grate
- \_\_\_\_ -Y Sediment Bucket

**Typical Installation**

\* Regularly furnished unless otherwise specified

⚠ **WARNING:** Cancer and Reproductive Harm - [www.P65Warnings.ca.gov](http://www.P65Warnings.ca.gov)⚠ **ADVERTENCIA:** Cáncer y daño reproductivo - [www.P65Warnings.ca.gov](http://www.P65Warnings.ca.gov)⚠ **AVERTISSEMENT:** Cancer et effets néfastes sur la reproduction - [www.P65Warnings.ca.gov](http://www.P65Warnings.ca.gov)Zurn Industries, LLC | Specification Drainage Operation  
1801 Pittsburgh Avenue, Erie, PA 16502, Ph. 855.663.9876In Canada | Zurn Industries Limited  
7900 Goreway Drive, Unit 10, Brampton, Ontario L6T 5W6, Ph. 877.892.5216[www.zurn.com](http://www.zurn.com)Rev. D  
Date: 02/24/25  
C.N. No. 146664  
Patent [zurn.com/patents](http://zurn.com/patents)  
Prod. | Dwg. No. FD2375