

Metal drop ear bend supports

Project information

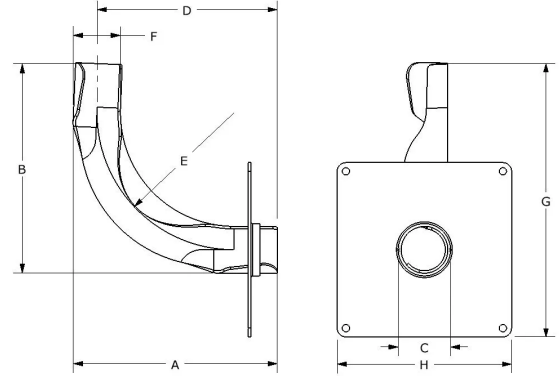
Job name:	Location:
Engineer:	Date submitted:
Contractor:	Submitted by:
Manufacturer's representative:	Approved by:

Technical data

Material Metal

Product information and application use

Uponor Metal Drop Ear Bend Supports are designed to provide a rigid, 90-degree bend and connection-free stub out from a stud wall or floor for $\frac{3}{8}$ " or $\frac{1}{2}$ " Uponor AquaPEX® tubing.



Part name	Part no.	A [Inch]	B [Inch]	C [Inch]	D [Inch]	E [Inch]	F [Inch]	G [Inch]	H [Inch]	Weight per UOM [lbs/UOM]
3/8" Metal Drop Ear Bend Support	F5120375	3.176	3.176	0.63	2.857	1.811	0.64	4.13	2.5	0.2
1/2" Metal Drop Ear Bend Support	F5120500	3.514	3.514	0.807	3.067	2.352	0.8	4.665	3	0.2

Installation

Snap the tubing into the bend support at the beginning of the bend. Continue the bend through the support and snap the tubing into the support at the end of the bend as well. Refer to the Uponor AquaPEX Professional Plumbing Installation Handbook for additional information.

Related applications

PEX-a Plumbing Systems

Codes

Standards

Listings

Footnotes

Contact information

Uponor Inc.
5925 148th Street West
Apple Valley, MN 55124
T 800.321.4739
F 952.891.2008

Uponor Ltd.
6510 Kennedy Road
Mississauga, ON L5T 2X4
T 888.594.7726
F 800.638.9517