

## Features

- High-arch spout with 360° spout rotation offers superior clearance for filling pots and cleaning
- KOHLER ceramic disc valves exceed industry longevity standards for a lifetime of durable performance
- Single lever handle is simple to use and makes adjusting water temperature easy
- Temperature memory allows faucet to be turned on and off at the temperature set during prior usage
- 1.5 gpm (5.7 lpm) maximum flow rate at 60 psi (4.14 bar)

## Material

- Premium metal construction for durability and reliability
- KOHLER finishes resist corrosion and tarnishing

## Installation

- Single-hole installation (three-hole escutcheon sold separately)
- Flexible supply lines simplify installation
- Available with 7" (178mm) swing spout reach

## Adapters, Rough-in and Extension Kits

1012715	Range: 3-1/4" (83 mm) - 5-3/8" (137 mm)
1030920	Range: 2-5/8" (67 mm) - 3-3/4" (95 mm)

## Recommended Products/Accessories

K-99272 Three-Hole Kitchen Faucet Escutcheon  
K-77685 Single-Cartridge Water Filtration System  
K-77686 Double-Cartridge Water Filtration System  
K-77687 single replacement filter cartridge  
K-77688 Replacement Filter Cartridges, Two-Pack  
K-23723 Faucet cleaner



**ADA** **CSA B651**

## Codes/Standards



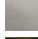


ASME A112.18.1/CSA B125.1  
NSF/ANSI/CAN 61  
NSF/ANSI/CAN 372  
All applicable US Federal and State material regulations  
DOE - Energy Policy Act 1992  
California Energy Commission (CEC)  
ADA  
ICC/ANSI A117.1  
CSA B651

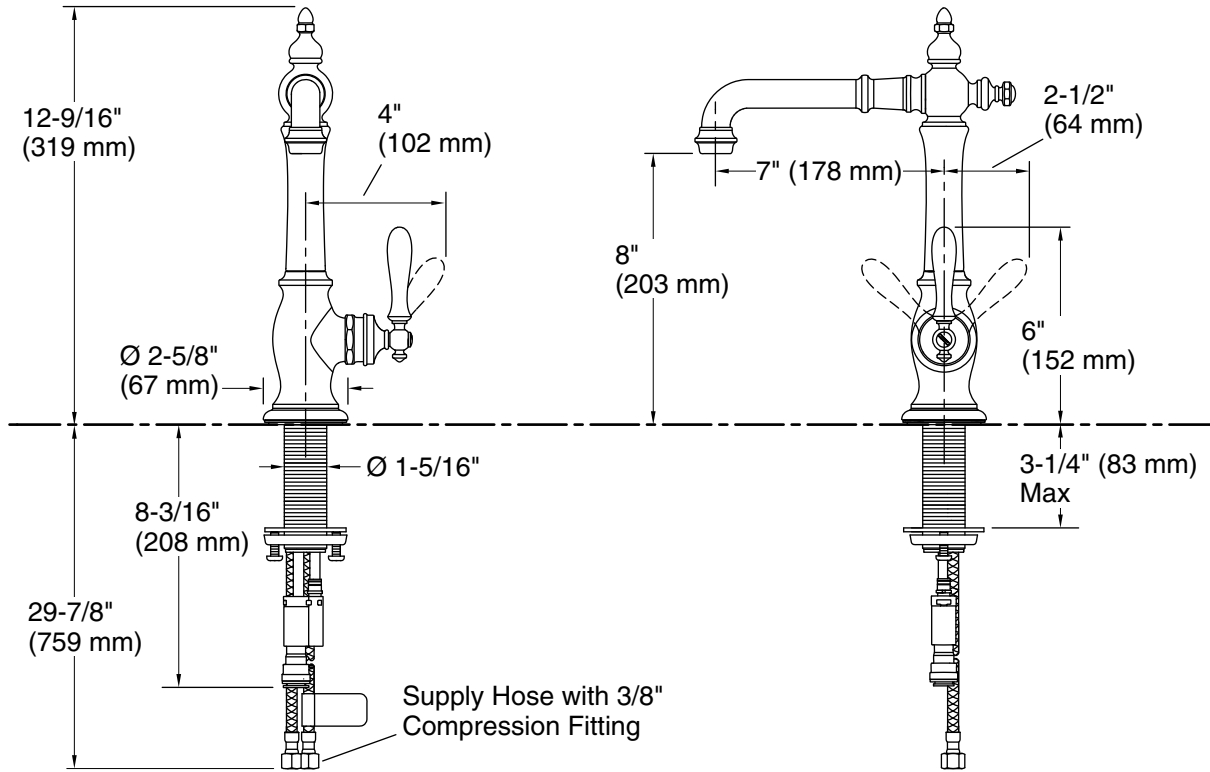
## KOHLER® Faucet Lifetime Limited Warranty

See website for detailed warranty information.

## Available Colors/Finishes

*Color tiles intended for reference only.*

Color	Code	Description
	CP	Polished Chrome
	SN	Vibrant™ Polished Nickel
	VS	Vibrant™ Stainless
	2BZ	Oil-Rubbed Bronze
	2MB	Vibrant™ Brushed Moderne Brass



### Technical Information

All product dimensions are nominal.

#### Spout:

Spout reach: 7" (178 mm)

### Notes

Install this product according to the installation guide.

ADA, CSA B651 compliant when installed to the specific requirements of these regulations.