

SPECIFICATIONS

Features/Benefits



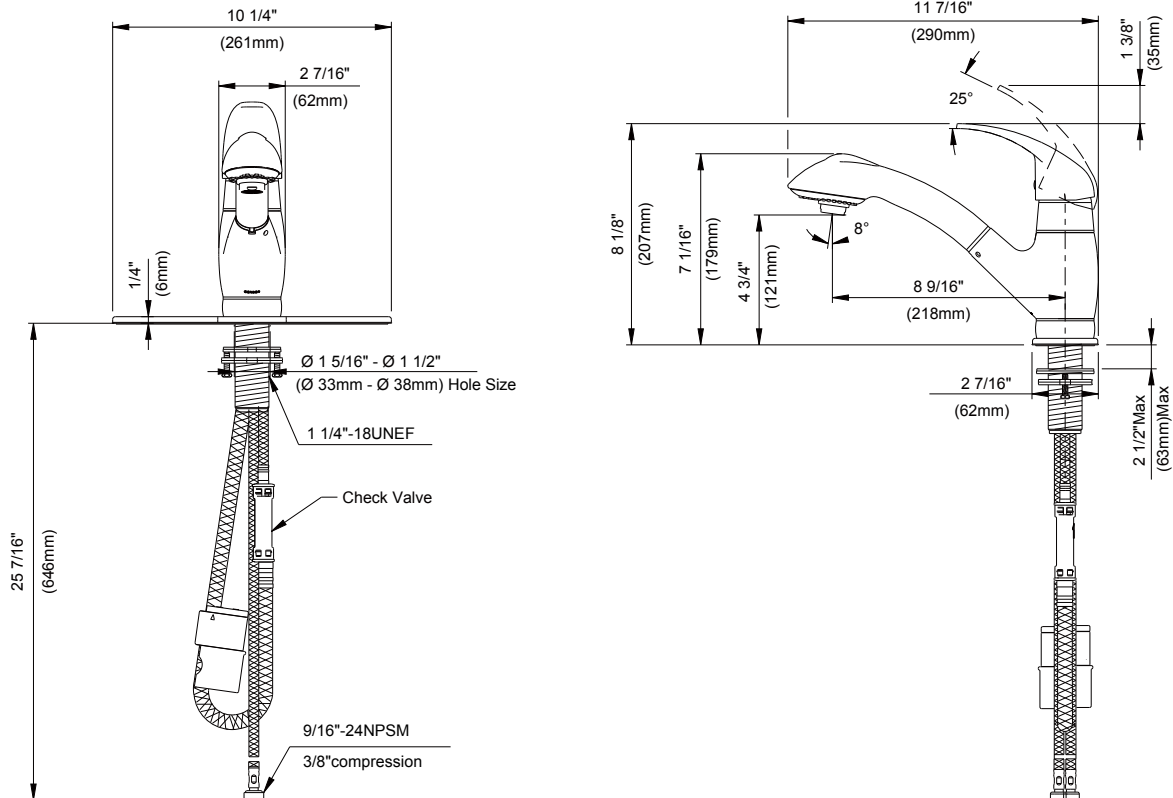
- SnapBack® Retraction System
- Easily Adjustable GripLock® Weight
- 7 1/16" Spout Height, 8 9/16" Spout Reach
- 1.75 gpm (6.6 L/min) Max Flow @ 60 psi
- 2 Function Spray / Aerated Stream
- Ceramic Disc Cartridge
- 360 Degree Swivel Spout
- Single or Three Hole Installation

Available Color/Finishes

Chrome

Please see gerberonline.com or current price list for available finishes. Finish is defined by additional suffix.

Standards & Certifications



Submittal Information:

Name: _____
 Location: _____

Contractor: _____
 Contact #: _____