



**Dearborn®  
Brass**

4675 W. 160th St.  
Cleveland, Ohio 44135  
Ph: (800) 321-9532  
Fax: (800) 321-9535  
www.dearbornbrass.com

**SUBMITTAL SPECIFICATION**

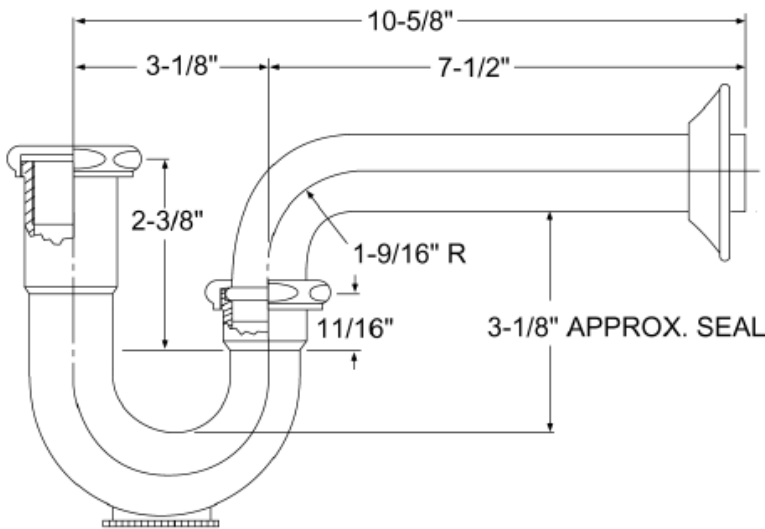
## 1-½" BRASS TUBULAR P-TRAP WITH CLEANOUT

**Engineering Specification:** Dearborn Brass 1-½" Brass Tubular P-Trap with Cleanout are designed for use in tubular drain applications. Available in 17 or 20 Gauge Brass. Options include Brass Nuts, Deep Flange, Unfinished Brass, Ground Joint and Extended Wall Tube.

**Job Reference**

### DESCRIPTION

- Chrome Finish
- 1-½" P-Trap With Cleanout
  - Metal Flange
  - Quarter Bend
  - J-Bend
  - Cleanout Plug
  - Fiber Cleanout Washer
  - Washers
  - Nuts



✓	Product No.	Description	Carton Quantity	Carton Weight (lbs)
	708-1	1-½" P-Trap w/ Cleanout – 20 Ga.	10	13
	710-1	1-½" P-Trap w/ Cleanout – 17 Ga.	10	15
	710BN-1	1-½" P-Trap w/ Cleanout – 17 Ga. w/ Brass Nuts	10	16
	710DF-1	1-½" P-Trap w/ Cleanout – 17 Ga. w/ Deep Flange	10	16
	710ADF-1	1-½" P-Trap w/ Cleanout – 17 Ga. w/ Deep Flange & 11.25" Wall Tube	10	17
	710GBN-1	1-½" P-Trap w/ Cleanout – 17 Ga. w/ Ground Joint & Brass Nuts	10	16
	710GDFBN-1	1-½" P-Trap w/ Cleanout – 17 Ga. w/ Ground Joint, Deep Flange & Brass Nuts	10	13
	710GDFBN-3	1-½" P-Trap w/ Cleanout – 17 Ga. w/ Ground Joint, Deep Flange & Brass Nuts, Unfinished	10	16

Data is subject to manufacturing tolerances.