



Hollister™ Gilford™ Wall Mount Sink Brackets K-1814-P

Features

- Enameled cast iron construction.
- Wall-mount.
- Set of two brackets.
- Includes toggle bolts and adjusting screws.
- For use with Gilford and Hollister sinks.
- 19-5/8" (498 mm) x 2-3/4" (70 mm) x 11" (279 mm)

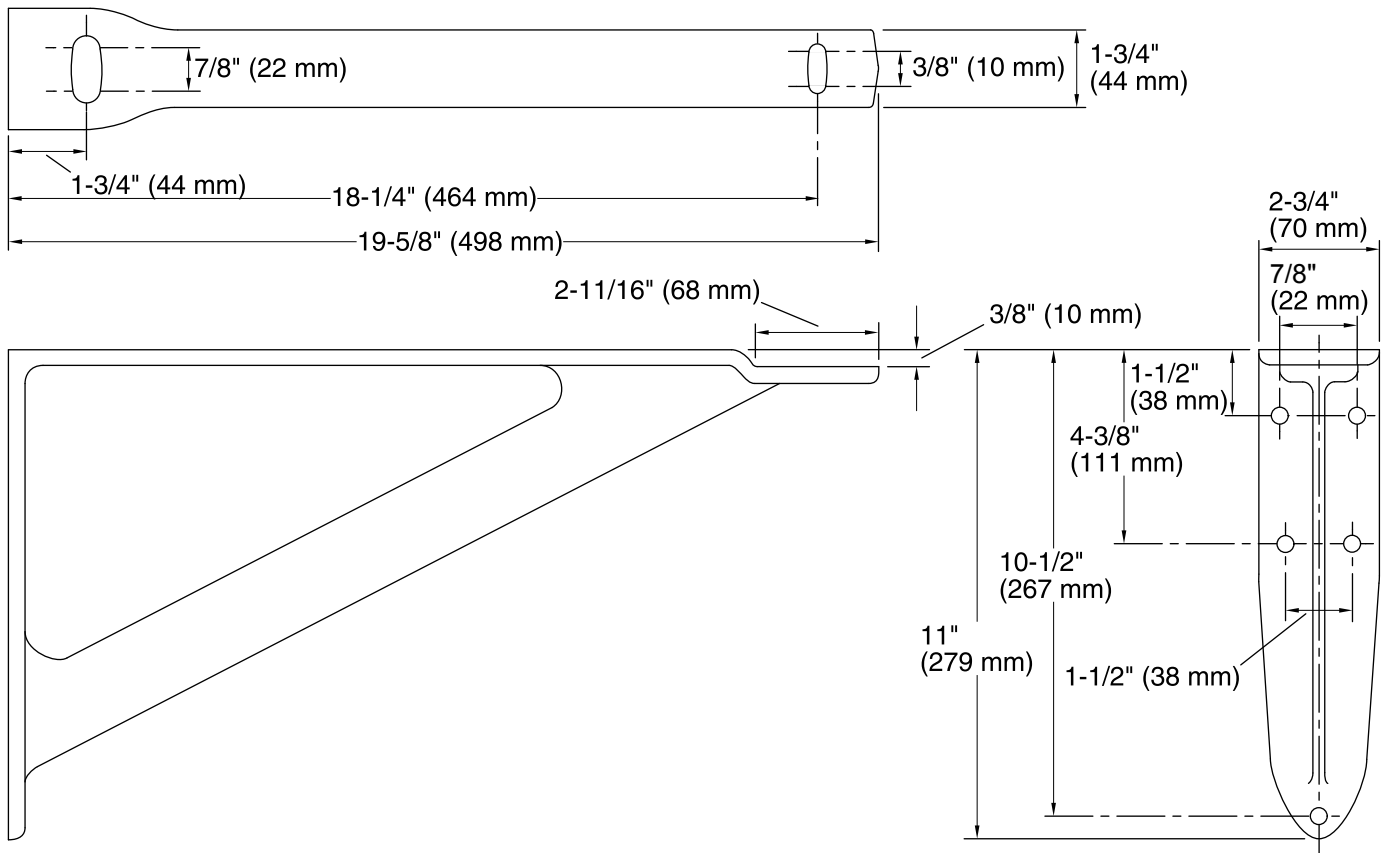


Codes/Standards

None Applicable

KOHLER® One-Year Limited Warranty

See website for detailed warranty information.



Technical Information

All product dimensions are nominal.

Notes

Install this product according to the installation guide.