



Solid/Expressions™

49" vanity top with single Verticyl™ oval cutout
K-5424

Features

- Pairs with KOHLER Verticyl oval undermount bathroom sinks or other KOHLER 17" x 14" (432 x 356 mm) oval undermount bathroom sinks
- Pilot holes for 4" (102 mm) centerset, 8" (203 mm) widespread, or single-hole faucet installation
- Sculpted edge
- Coordinates with the industry-standard 48" (1219 mm) KOHLER vanities
- Field trimmable for alcove and corner installations
- Optional side and backsplashes available (sold separately)

Material

- Solid surface

Installation

- Vanity top
- Includes mounting hardware for sink
- Accommodates single, 4" centerset, and 8" widespread faucet configurations

Included Components

Additional Components:
Mounting Screws



Codes/Standards


None Applicable

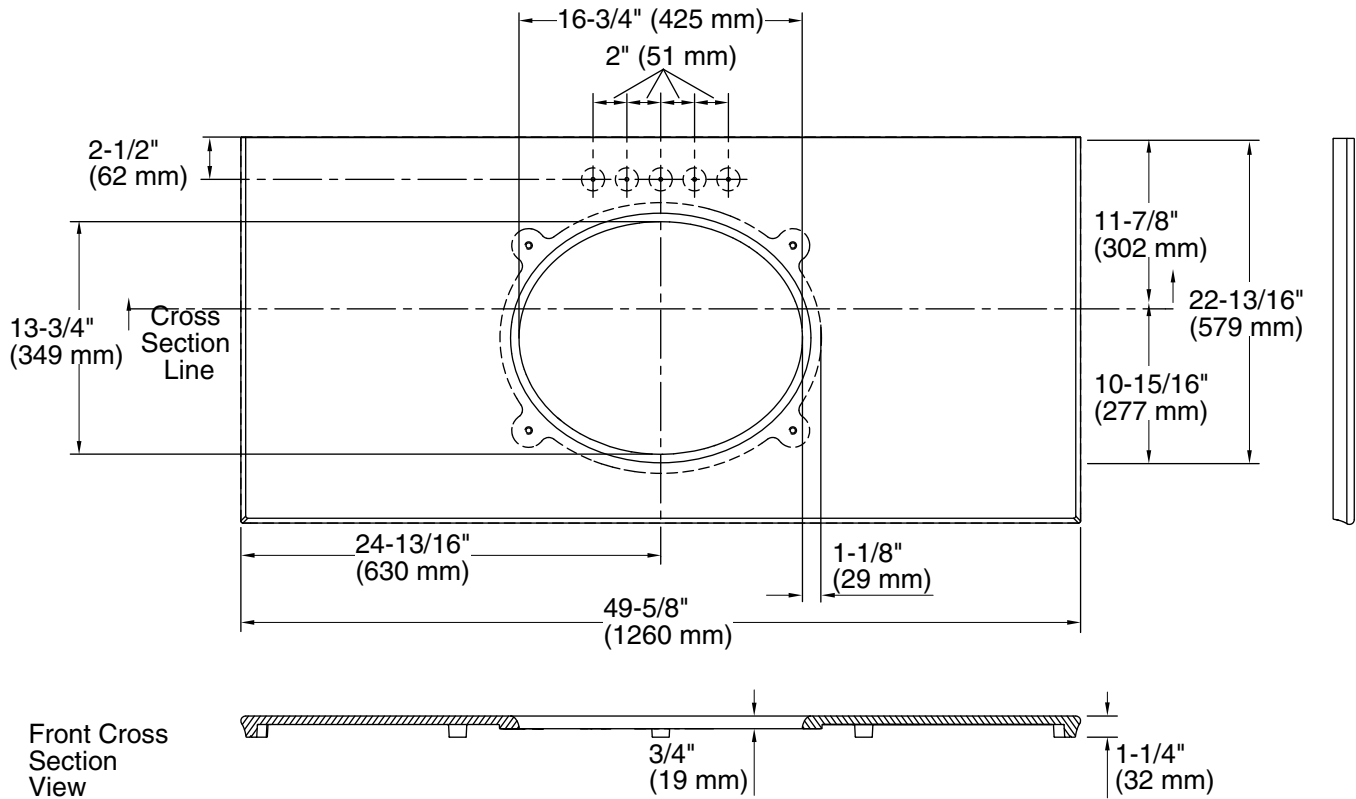
KOHLER® One-Year Limited Warranty

See website for detailed warranty information.

Available Colors/Finishes

Color tiles intended for reference only.

Color	Code	Description
	S33	White Expressions



Technical Information

All product dimensions are nominal.

Bowl configuration: Single

Installation: Vanity top/ITB

Bowl area (Only): Length: 16-3/4" (425 mm)
Width: 13-3/4" (349 mm)

Notes

Install this product according to the installation instructions.

Observe all local plumbing and building codes.

This countertop is designed to be installed with a KOHLER or standard-size vanity.

Faucet hole and sink-mounting locations are marked on the underside of the countertop.