

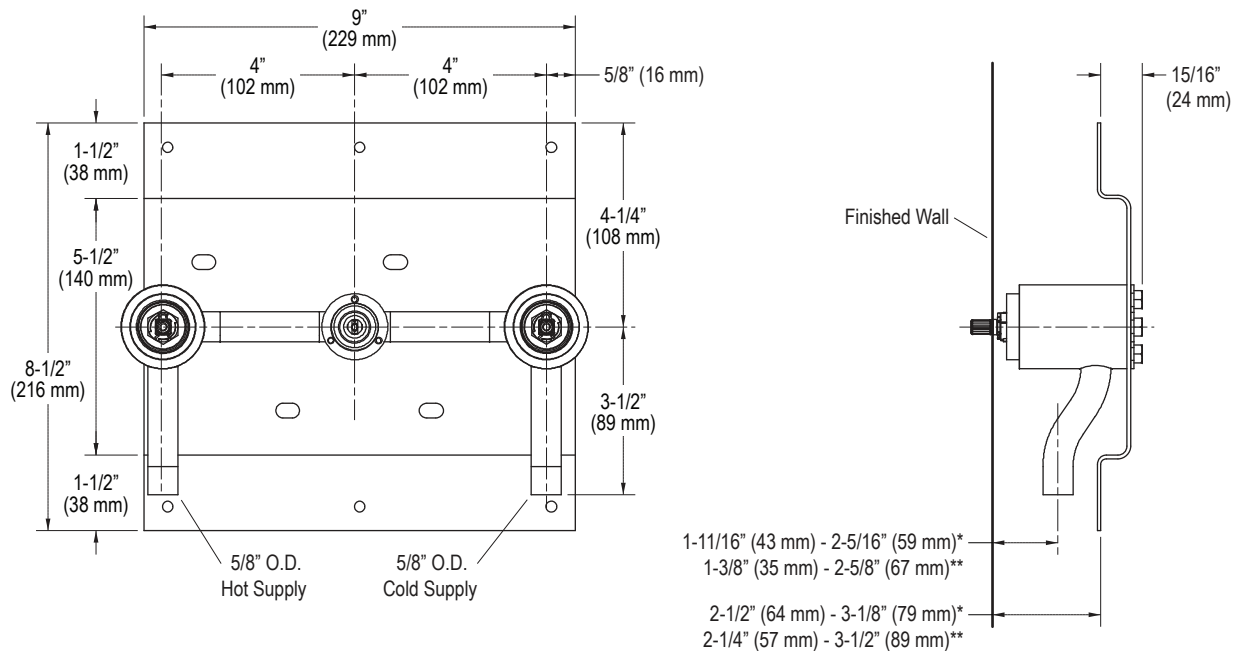
FEATURES

- Brass construction
- 2.2 gallons (8.3 L) per minute maximum flow rate
- Dual control wall-mounted

CODES/STANDARDS APPLICABLE

Specified Model Meets or Exceeds the Following:

- ASME A112.18.1/CSA B125.1
- Energy Policy Act of 1992
- IAPMO/UPC
- NSF 61



* For P24410 & P24411 Trims

** For All Other Trims

INSTALLATION NOTES

Install this product according to the installation guide.
Three 1-1/2" (38 mm) D. cutout holes required for spout and handles.
Follow the installation dimensions precisely as there is no deep roughing-in kit available for this product.

SPECIFIED MODEL

Model	Description	Finishes
P29304-00	Two-handle Ceramic Valve	<input type="checkbox"/> NA

We reserve the right to make revisions without notice in the design of products or in packaging unless this right has specifically been waived at the time the order is accepted.