

### Features

- 33" (838 mm) minimum base cabinet width
- Double-equal bowls
- 9" (229 mm) depth provides generous workspace
- Four oversized faucet holes
- Oversized holes allow for easy installation of faucets and accessories
- Rear drain placement increases vanity cabinet storage space underneath sink

### Material

- KOHLER® enameled cast iron

### Installation

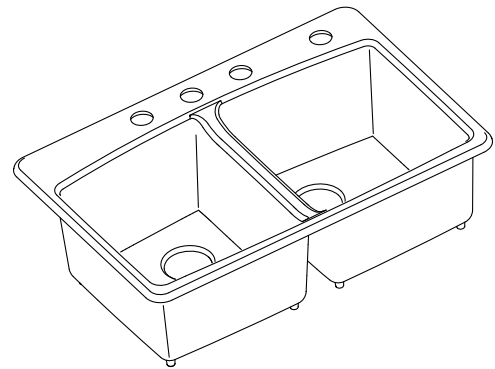
- Includes cutout template
- Top-mount

### Recommended Products/Accessories

- K-6197 Sink Rack
- K-8801 Sink drain and strainer with tailpiece
- K-8799 Sink drain and strainer basket
- K-23726 Drain treatment
- K-23725 Cast iron cleaner

### Optional Products/Accessories

- K-11352 Disposal Flange with Stopper
- K-9000 P-Trap



### Codes/Standards


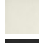

ASME A112.19.1/CSA B45.2

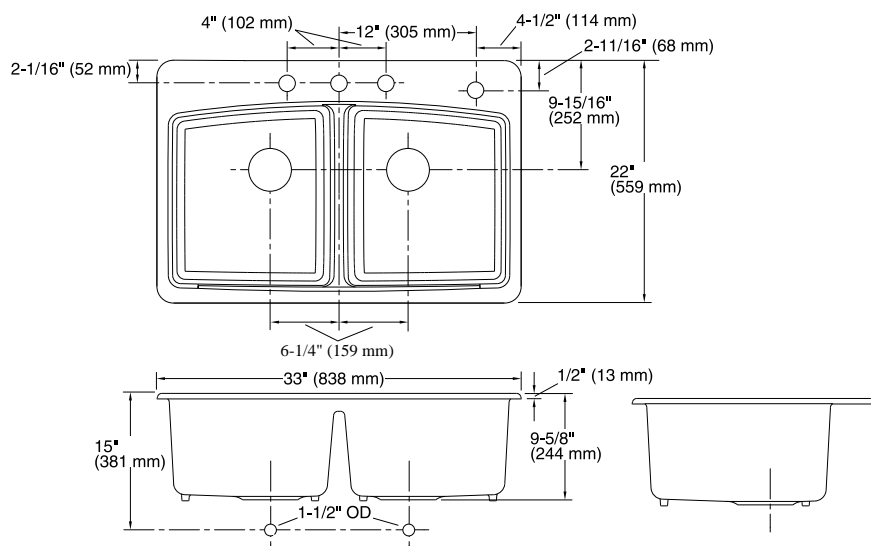
### KOHLER® Enameled Cast Iron Kitchen and Bathroom Sink Lifetime Limited Warranty

See website for detailed warranty information.

### Available Colors/Finishes

*Color tiles intended for reference only.*

Color	Code	Description
	0	White
	96	Biscuit
	7	Black Black™



### Technical Information

All product dimensions are nominal.

Bowl configuration: Double equal

Installation: Top-mount

Center(s): 4

Min. base cabinet width: 33" (838 mm)

Bowl area (Left):  
Length: 14-3/16" (360 mm)  
Width: 16-1/16" (408 mm)  
Bowl depth: 9" (229 mm)

Bowl area (Right):  
Length: 14-3/16" (360 mm)  
Width: 16-1/16" (408 mm)  
Bowl depth: 9" (229 mm)

Number of deck holes: 4

Faucet hole spacing: 4" (102 mm)

Faucet hole(s): 1-3/8" (35 mm)

Drain hole: 3-7/8" (98 mm)

Template: 1174556-7, required, included

### Notes

Install this product according to the installation instructions.

**NOTICE:** Countertop manufacturer or cutter must use the cut-out template provided with the product, or a current one provided by Kohler Co. (call 1-800-4-KOHLER). Kohler Co. is not responsible for cutout errors when the incorrect cut-out template is used.