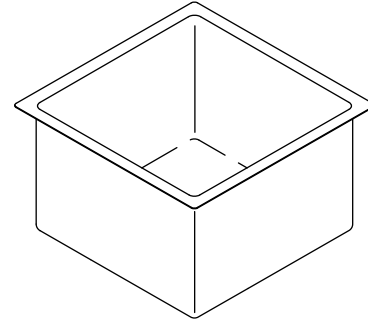


### Features

- 16-gauge stainless steel
- Under-mount
- Single bowl
- Squared bowl(s)
- Includes installation hardware
- Includes bottom bowl rack
- Includes SilentShield® sound-absorption technology
- 15" (381 mm) x 15" (381 mm)

## UNDER-MOUNT BAR SINK K-5287

ADA



### Codes/Standards Applicable

Specified model meets or exceeds the following:

- ADA
- ICC/ANSI A117.1
- ASME A112.19.3/CSA B45.4

### Colors/Finishes

- NA: None applicable

### Accessories

- CP: Polished Chrome
- ST: Stainless Steel
- Other: Refer to Price Book for additional colors/finishes

### Specified Model

Model	Description	Colors/Finishes	
K-5287	Under-mount bar sink	<input type="checkbox"/> NA	
<b>Included Accessories</b>			
K-6447	Bottom bowl rack	<input type="checkbox"/> ST	
<b>Optional Accessories</b>			
K-8801	Duostrainer® sink strainer	<input type="checkbox"/> CP	<input type="checkbox"/> Other_____

### Product Specification

The under-mount bar sink shall be made of 16 gauge stainless steel. Sink shall be 15" (381 mm) in length and 15" (381 mm) in width. Sink shall feature single squared bowl and SilentShield sound-absorption technology. Sink shall include installation hardware and bottom bowl rack. Sink shall be Kohler Model K-5287-NA.

## Technical Information

Fixture*:	
Bowl area	13-1/4" (337 mm) x 13-1/4" (337 mm)
Water depth	9" (229 mm)
Drain hole	Ø 3-11/16" (94 mm)
*Approximate measurements for comparison only.	

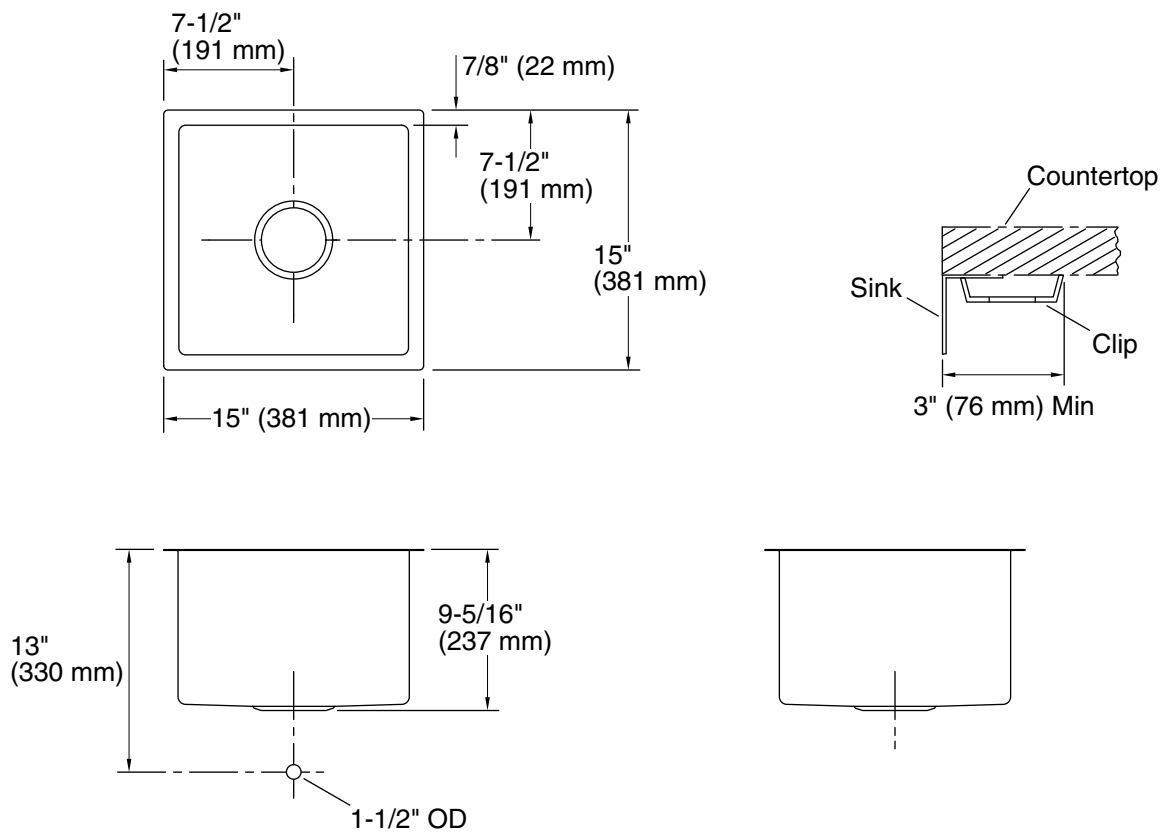
Included components:	
Hardware kit (2 required)	91915
Cut-out template	1207219-7

## Installation Notes

Install this product according to the installation guide.

Allow a minimum of 3" (76 mm) clearance around the sink rim for clip attachment.

Will comply with **ADA** when installed per Section 606 Lavatories and Sinks of the ADA 2010 Standards for Accessible Design.



## Product Diagram