



41-401

IGNITORS

Carbide Series

The Robertshaw® Carbide Series Hot Surface Ignitors deliver dependable ignition in heating systems of every description: furnaces, boilers, rooftop heaters, infrared burners, unit heaters, water heaters, and many other types of HVAC equipment.

Features and Benefits

- Made from high-purity recrystallized silicon carbide (Crystar™) which combines physical and thermal strength with stable electrical properties
- Designed to reach ignition temperature(s) within 17 seconds
- Have 18-gauge nickel chrome lead wires embedded and metalized in place for maximum holding strength and electrical conductivity
- Manufactured with lead wires enclosed in a special high-temperature fiberglass insulation providing electrical protection
- Operate at 120V AC. Some modules are rated for 208/240V input, however, the voltage to the ignitor is stepped down to 120V AC

Specifications

Part Numbers	Description	Ceramic Block Style	Lead Wire Length	Terminal Connector Type	Comments
41-401	Hot Surface Carbide Ignitor	A	4-1/2"	A	Includes a gasket
41-402	Hot Surface Carbide Ignitor	B	19"	NA	
41-403	Hot Surface Carbide Ignitor	C	5-1/2"	NA	
41-404	Hot Surface Carbide Ignitor	C	4-1/2"	D	Includes special mounting adaptors
41-405	Hot Surface Carbide Ignitor	D	5-1/2"	NA	
41-406	Hot Surface Carbide Ignitor	E	10-1/2"	NA	Includes a gasket
41-407	Hot Surface Carbide Ignitor	C	4-1/2"	B	
41-408	Hot Surface Carbide Ignitor	B	5"	C	
41-409	Hot Surface Carbide Ignitor	C	4-1/2"	D	
41-410	Hot Surface Carbide Ignitor	B	4-1/2"	B	
41-411	Hot Surface Carbide Ignitor	B	4-1/2"	C	Includes special mounting adaptors
41-412	Hot Surface Carbide Ignitor	F	5-1/4"	D	
41-414	Hot Surface Carbide Ignitor	F	5-1/4"	D	Includes special mounting adaptors
41-418	Hot Surface Carbide Ignitor	B	5-1/4"	C	Includes bracket
41-419	Hot Surface Carbide Ignitor	G	5"	D	



Product Drawings



41-402



41-403



41-404



41-405



41-406



41-407



41-408



41-409



41-410



41-411



41-412



41-414

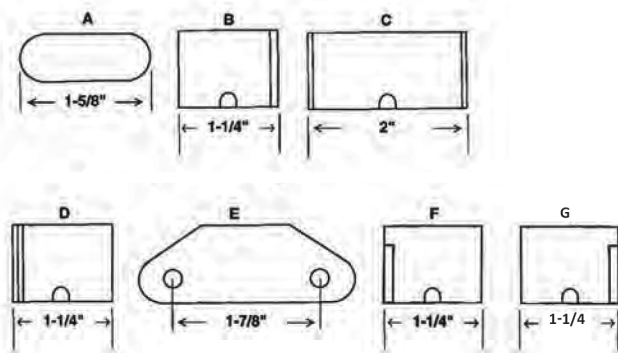


41-418

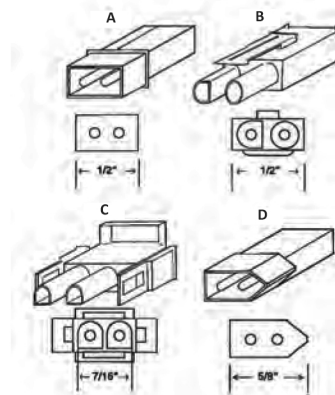


41-419

Ceramic Block Styles



Terminal Block Styles



1 Year
Limited
Warranty