



A CSW Industrials Company

PRODUCT DATA SHEET

DUST FREE® SST2
System Service Transition

Introduction

The Dust Free SST2 System Service Transition unit is designed to provide a smooth transition between the evaporator coil and the furnace heat exchanger within the HVAC system, reducing airflow restrictions and increasing overall system efficiencies. The unit can be installed in closet, upflow, and horizontal applications and with box or slab coils. The removable latching door allows for easy access to the coil and heat exchanger to make regular inspection, maintenance, and cleaning quicker and easier.

Before Installing

- Read all instructions carefully. Failure to do so could damage the equipment or cause harm to yourself or others.
- Acknowledge all warnings.
- Only qualified technicians should perform the installation.

U.S. Patent Nos. 9267702; 10151507
Canadian Patent Nos. 2,865,781; 2,835,898
Additional Patents Pending

Required Tools

- Electric drill
- 5/16" hex head tool bit
- Tin snips / scissors / knife
- Foil tape

Additional Specifications

- Lined with foil-backed R4 insulation
- 24-gauge galvanized steel construction
- Ships in collapsed configuration for easy transport



Features

- Optimized SEER performance
- No more small "inspection" doors
- Save time and labor
- Easy to carry
- Fully insulated door
- Fits multiple applications
- IAQ ready

Packaging

Code	Model	Application	Qty. per Case	Lbs. per Case	Cubic Ft per Case
DF19830	SST2 AA	SST2 A Furnace to A Coil SST Unit	1	9	0.78
DF19831	SST2 AB	SST2 A Furnace to B Coil SST Unit	1	9.5	0.78
DF19832	SST2 AC	SST2 A Furnace to C Coil SST Unit	1	9.5	0.78
DF19833	SST2 BB	SST2 B Furnace to B Coil SST Unit	1	9.5	0.78
DF19834	SST2 BC	SST2 B Furnace to C Coil SST Unit	1	10	0.78
DF19835	SST2 BD	SST2 B Furnace to D Coil SST Unit	1	10	0.78
DF19836	SST2 CC	SST2 C Furnace to C Coil SST Unit	1	10	0.78
DF19837	SST2 CD	SST2 C Furnace to D Coil SST Unit	1	10.5	0.78
DF19838	SST2 DD	SST2 D Furnace to D Coil SST Unit	1	10.5	0.78
DF19840	SST2 AA Closet	SST2 A Furnace to A Coil Closet SST Unit	1	9	0.39
DF19841	SST2 AB Closet	SST2 A Furnace to B Coil Closet SST Unit	1	9.5	0.39
DF19842	SST2 AC Closet	SST2 A Furnace to C Coil Closet SST Unit	1	9.5	0.39
DF19843	SST2 BB Closet	SST2 B Furnace to B Coil Closet SST Unit	1	9.5	0.39
DF19844	SST2 BC Closet	SST2 B Furnace to C Coil Closet SST Unit	1	10	0.39
DF19845	SST2 BD Closet	SST2 B Furnace to D Coil Closet SST Unit	1	10	0.39
DF19846	SST2 CC Closet	SST2 C Furnace to C Coil Closet SST Unit	1	10	0.39
DF19847	SST2 CD Closet	SST2 C Furnace to D Coil Closet SST Unit	1	10.5	0.39

Included Inside Box

- (1) - Rear Panel
- (1) - Door Frame
- (2) - Side Panels
- (1) - Door
- (9) - No. 10 x 3/8" Assembly Screws
- (13) - No. 10 x 5/8" Mounting Screws
- (1) - Installation Instructions

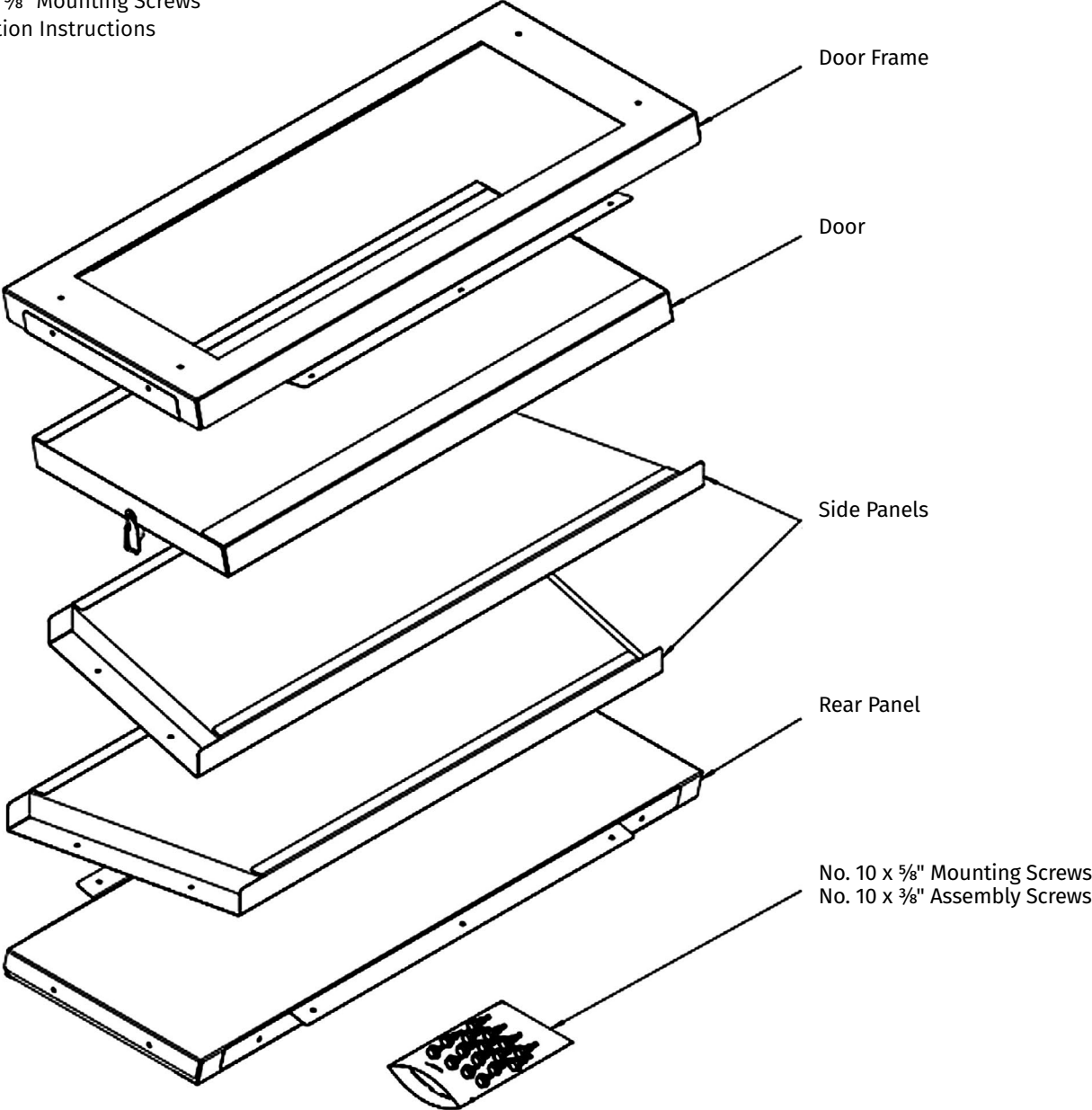


Figure 1: Components included inside the box

Specifications

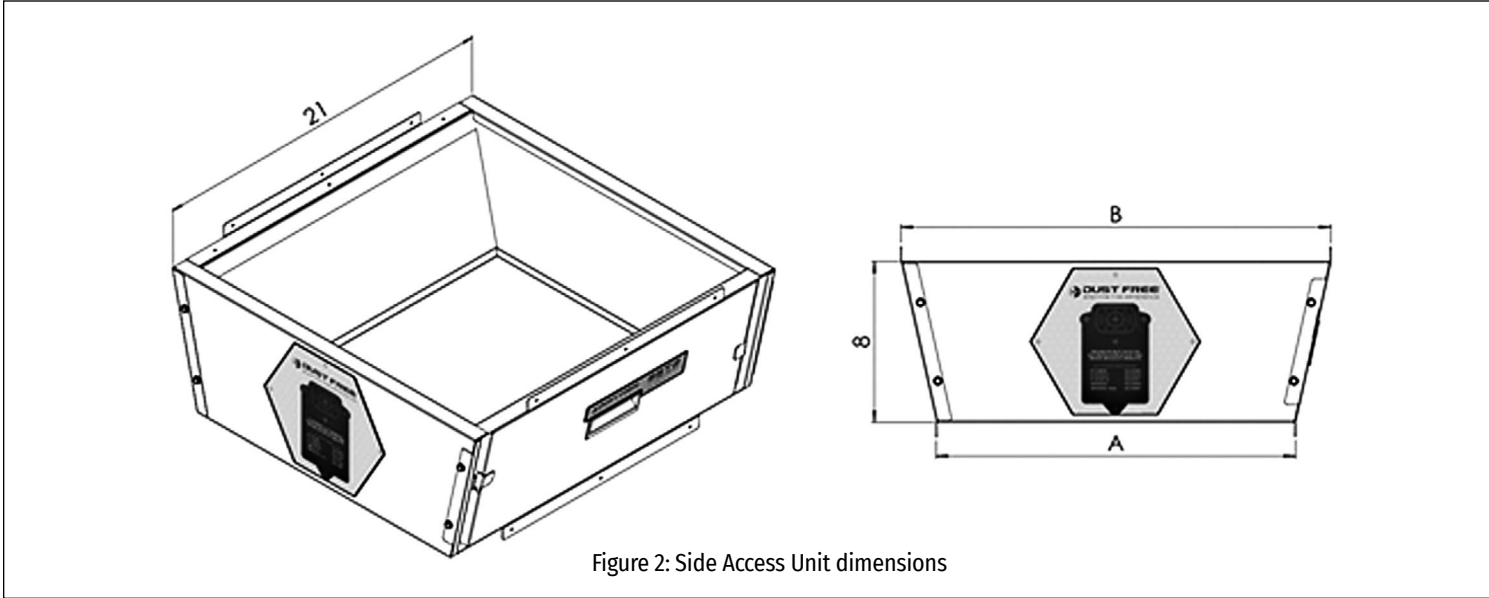


Figure 2: Side Access Unit dimensions

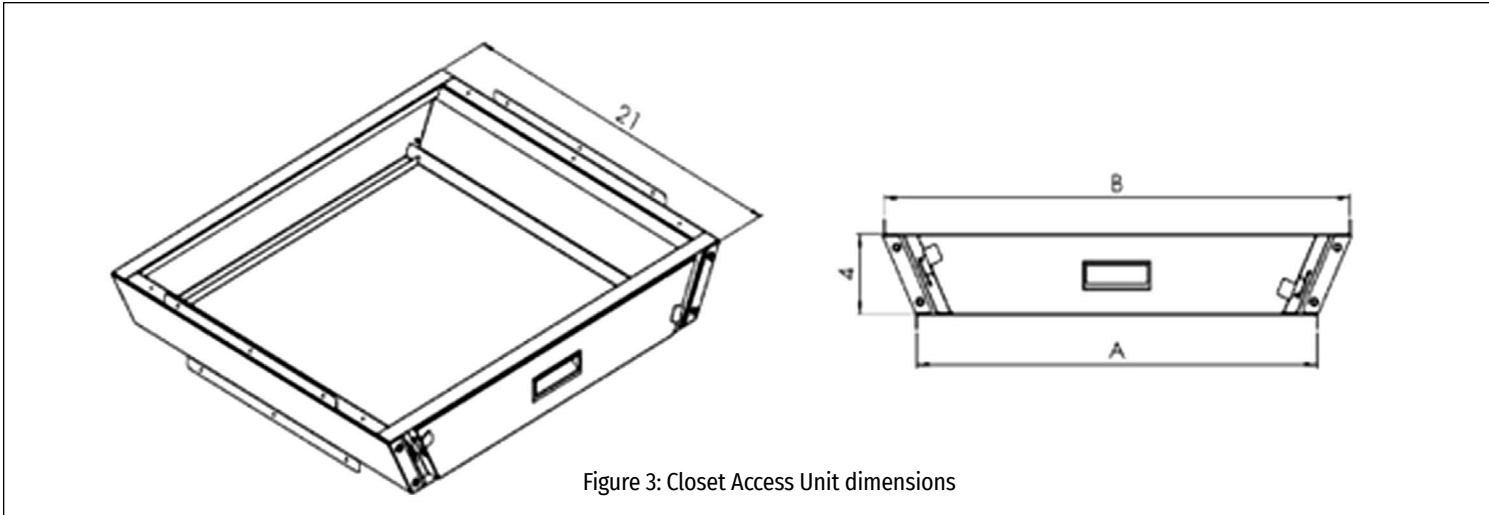


Figure 3: Closet Access Unit dimensions

Model	Dimension "A" (in.)	Dimension "B" (in.)	Packaged Weight (lbs.)
SST2 AA	14	14 1/4	9
SST2 AB	14 1/4	17 3/4	9.5
SST2 AC	14 1/4	21 1/4	9.5
SST2 BB	17 1/2	17 3/4	9.5
SST2 BC	17 3/4	21 1/4	10
SST2 BD	17 3/4	24 3/4	10
SST2 CC	21	21 1/4	10
SST2 CD	21 1/4	24 3/4	10.5
SST2 DD	24 3/4	24 3/4	10.5
SST2 AA Closet	14	14 1/4	9
SST2 AB Closet	14 1/4	17 3/4	9.5
SST2 AC Closet	14 1/4	21 1/4	9.5
SST2 BB Closet	17 1/2	17 3/4	9.5
SST2 BC Closet	17 3/4	21 1/4	10
SST2 BD Closet	17 3/4	24 3/4	10
SST2 CC Closet	21	21 1/4	10
SST2 CD Closet	21 1/4	24 3/4	10.5

Assembly

The Dust Free SST2 System Service Transition sections are designed to slide together for easy assembly. Carefully follow these instructions to ensure satisfactory fit and performance of the unit.

1. Remove the banded components from the box. Using tin snips or scissors, cut and dispose of the bands.
2. Place the rear panel on a firm surface. Align and insert one side panel into the rear panel, inside the flange as depicted in **Figure 3**.
3. Secure the rear panel to the side panel using the supplied No. 10 x 3/8" screws in the aligned pre-drilled holes as shown in **Figure 4**.

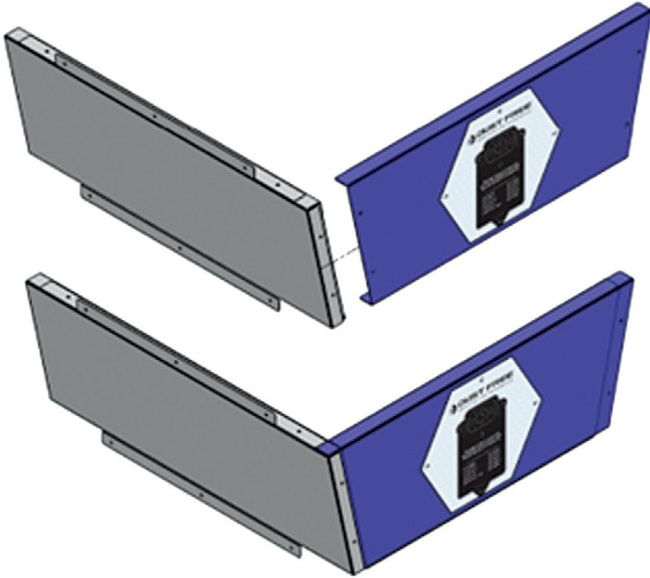


Figure 3: Side and rear panel alignment and assembly

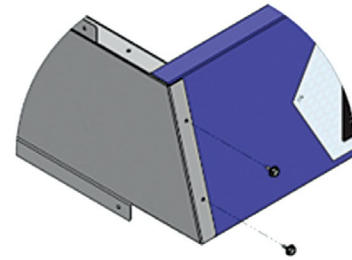


Figure 4: Secure rear panel to side panel with supplied No. 10 x 3/8" screws

4. Align and insert the remaining side panel into the rear panel, inside the flange as depicted in **Figure 5**.
5. Secure the rear panel to the side panel using the supplied No. 10 x 3/8" screws in the aligned pre-drilled holes as shown in **Figure 6**.

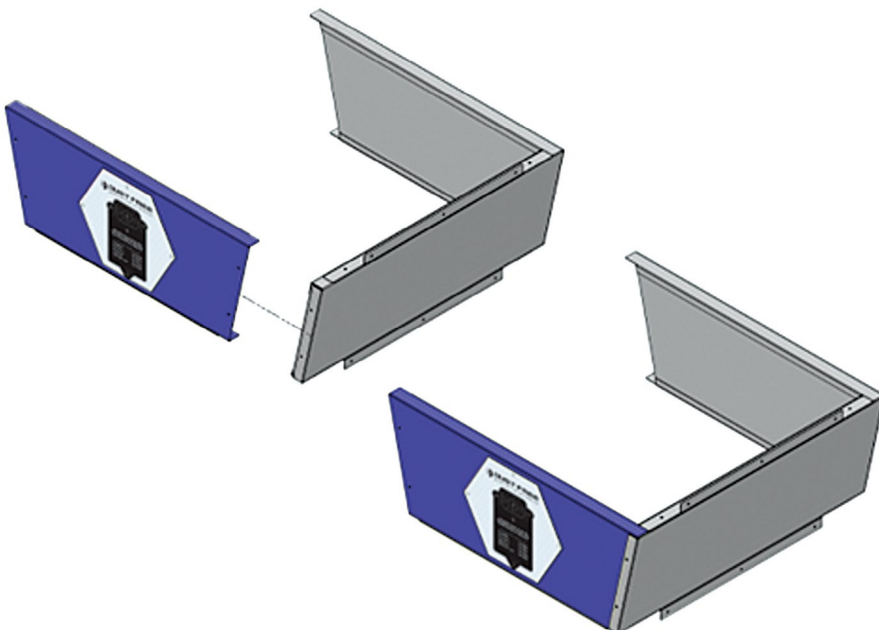


Figure 5: Remaining side and rear panel alignment and assembly

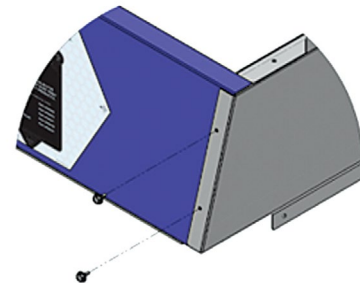


Figure 6: Secure rear panel to side panel with supplied No. 10 x 3/8" screws

6. Remove the door from the door frame. Align and insert the door frame into the side panels, with flanges outside the side panel as shown in **Figure 7**.
7. Secure the door frame to the side panels using the supplied No. 10 x 3/8" screws in the aligned pre-drilled holes as depicted in **Figure 8**.

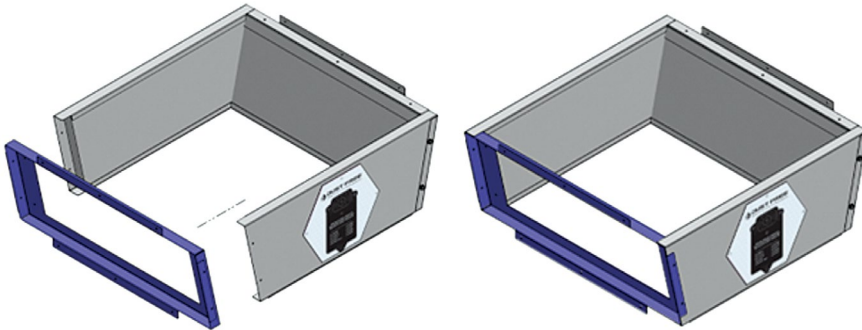


Figure 7: Door frame and unit alignment and assembly

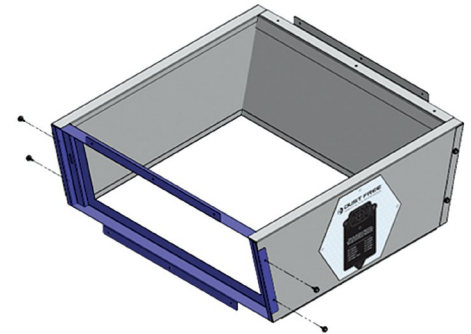


Figure 8: Secure door frame to rest of unit with supplied No.10 x 3/8" screws

Installation

Installation should only be performed by a certified professional. If you plan to install this unit yourself, please be aware that the improper use of any tool can be dangerous. The manufacturer does not assume any responsibility for failures due to incorrect installation procedures.

Before beginning any installation or modification, ensure that the main line electrical disconnect switch is in the OFF position. Unexpected start-up of the system blower could cause serious injury. Tag disconnect switch with suitable warning labels. When working on the transition, observe precautions in the owner's manual, labels attached to the furnace or air handler, and other safety precautions that may apply. Follow all safety codes. Wear safety glasses and work gloves.

1. Position the System Service Transition unit atop the furnace heat exchanger.
2. Align the opening in the furnace with the opening in the System Service Transition.
3. Secure the System Service Transition unit to the furnace with the supplied No. 10 x 5/8" screws using the pre-drilled mounting holes on the bottom of the unit.
4. Position the coil atop the System Service Transition.
5. Align the opening in the System Service Transition with the opening in the coil.
6. Secure the coil to the System Service Transition with the supplied No. 10 x 5/8" screws using the pre-drilled mounting holes on the top of the unit.
7. Use foil tape or mastic to seal all joints between the furnace, System Service Transition, and coil.
8. Place the door back on the door frame and latch the unit closed.

Supplementary Product Installation

The Dust Free SST2 System Service Transition unit may be fitted with supplementary germicidal UV light or air purifier systems to further improve the indoor air quality of the HVAC system. This unit was designed with easy implementation of Dust Free-branded products in mind. The Side Access models are supplied with Pre-drilled pilot holes on the side panels, indicated by the crosshairs on the labels. Identify the product you are installing and drill out the holes as designated. Refer to the installation instructions provided with the supplementary system you are installing for further information.

Installer's Notes

Model Number:
Serial Number:
Date of Installation:
Installed By:
Owner's Name & Address:
.....
.....

Limited Warranty



For more information on our product limited warranty, visit RectorSeal.com



Manufactured by

RectorSeal, LLC

2601 Spenwick Drive • Houston, TX 77055, USA • 800-231-3345 • Fax 800-441-0051 • rs.today/dust-free

A CSW Industrials Company. RectorSeal, the logos and other trademarks are property of RectorSeal, LLC, its affiliates or its licensors and are protected by copyright, trademark and other intellectual property laws, and may not be used without permission. RectorSeal reserves the right to change specifications without prior notice. ©2024 RectorSeal. All rights reserved. R51176-0724