

### Features

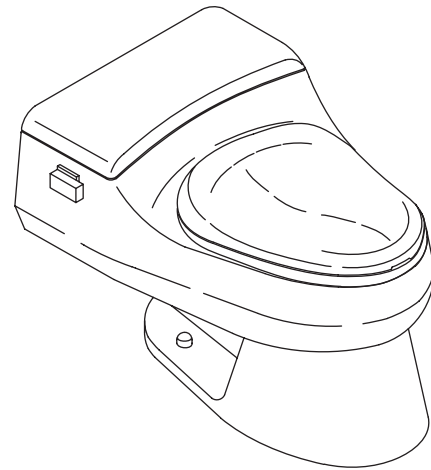
- Vitreous china
- Elongated bowl
- Comfort Height®
- 12" (30.5 cm) rough-in
- One-piece
- Includes seat and cover
- Less supply
- Equipped with Sloan FLUSHMATE® Pressure Vessel
- 1.0 gpf (3.8 lpf)
- 9" (22.9 cm) x 7" (17.8 cm) water area
- 30" (76.2 cm) x 19-1/2" (49.5 cm) x 21-1/2" (54.6 cm)

### Codes/Standards Applicable

Specified model meets or exceeds the following:

- ADA
- ASME A112.19.2/CSA B45.1
- ICC/ANSI A117.1

## COMFORT HEIGHT™ ELONGATED TOILET K-3597 ALSO K-3597-NF



### Colors/Finishes

- 0: White
- Other: Refer to Price Book for additional colors/finishes

### Accessories

- 0: White
- CP: Polished Chrome
- PB: Vibrant® Polished Brass
- Other: Refer to Price Book for additional colors/finishes

### Specified Model

Model	Description	Colors/Finishes	
K-3597	Elongated bowl toilet	<input type="checkbox"/> 0	<input type="checkbox"/> Other_____
K-3597-NF	Elongated bowl toilet	<input type="checkbox"/> 0	<input type="checkbox"/> Other_____

Recommended Accessories			
K-7637	Angle supply with stop – 3/8" NPT	<input type="checkbox"/> CP	<input type="checkbox"/> PB <input type="checkbox"/> Other_____

### Product Specification

The Comfort Height™ one-piece toilet shall be 30" (76.2 cm) in length, 19-1/2" (49.5 cm) in width, and 21-1/2" (54.6 cm) in height. Toilet shall be made of vitreous china and 1.0 gpf (3.8 lpf). Toilet shall have a 9" (22.9 cm) x 7" (17.8 cm) water area, and a 12" (30.5 cm) rough-in. Toilet shall be equipped with Sloan Flushmate® Pressure Vessel. Toilet shall include seat and cover. Toilet shall be less supply. Toilet shall be Kohler Model K-3597-\_\_\_\_\_.

# SAN RAPHAEL™

## Optional Accessories

K-4650	Lustra™ elongated open front toilet seat – for ADA compliance	<input type="checkbox"/> 0	<input type="checkbox"/> Other _____
--------	---	----------------------------	--------------------------------------

## Technical Information

Fixture:	
Configuration	one-piece, elongated
Water per flush	1 gal (3.8 L)
Passageway	2-1/8" (5.4 cm)
Water depth from rim	5-7/8" (14.9 cm)
Water area	9" (22.9 cm) x 7" (17.8 cm)
Seat post hole centers	5-1/2" (14 cm)
Minimum static pressure required	35 psi (241 kPa)

Included components:	
Tank cover	1055954
Bolt cap accessory pack	1013092
Toilet seat	74917
Tank accessory pack	84301

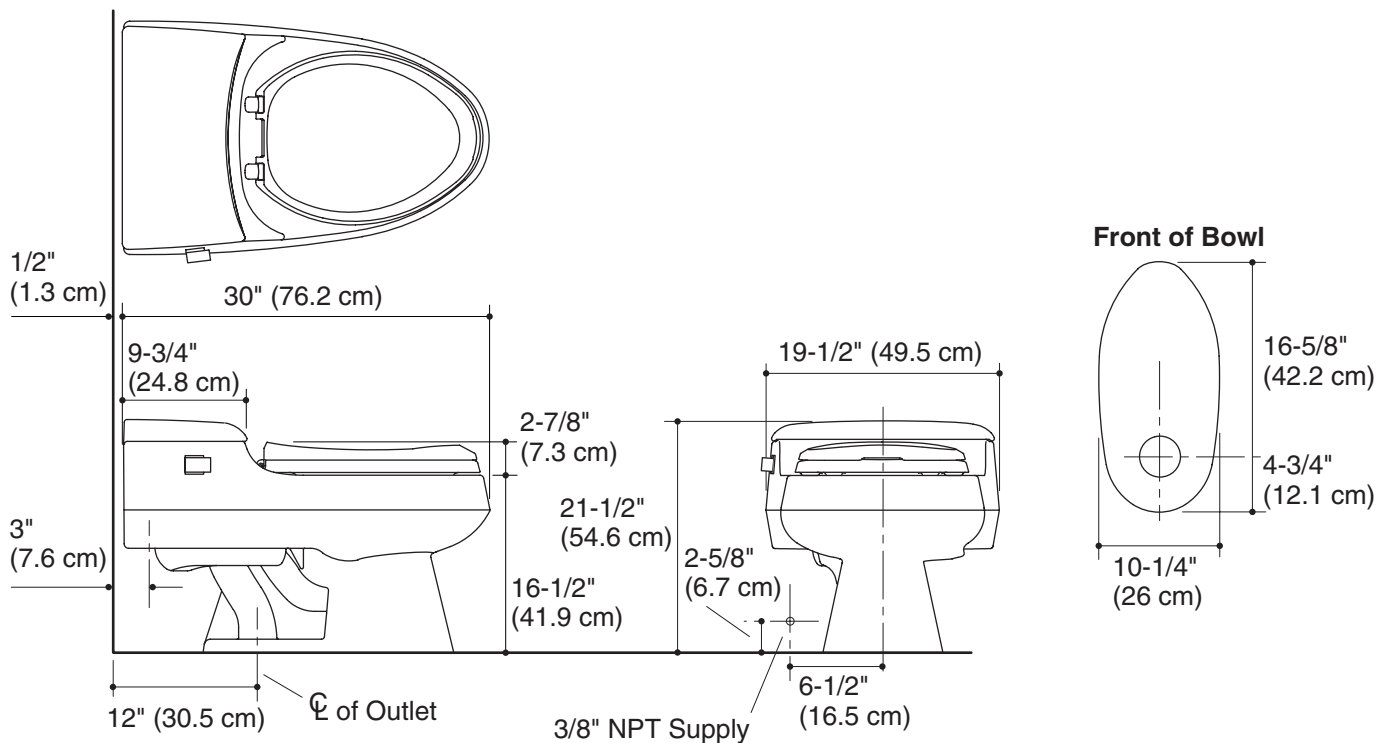
## Installation Notes

Install this product according to the installation guide.

Will comply with the American Disabilities Act (ADA) when installed per the requirements of the Accessibility Guidelines, Section 604 Water Closets, of the Act. Plumbing Codes require open-front elongated seats in public use bathrooms.

Section 604 states the required height of the toilet is 17" (43.2 cm) to 19" (48.3 cm) from the floor to the top of the seat to meet ADA requirements.

Fixture conforms to ASME Standard A112.19.2/CSA B45.1. All dimensions are nominal.



## Product Diagram

SAN RAPHAEL™ COMFORT HEIGHT™ ELONGATED TOILET

Page 2 of 2  
1086530-4-C

THE BOLD LOOK  
OF **KOHLER**®