

STERLING®

A KOHLER COMPANY

MIDDLETON®

TOP-MOUNT KITCHEN SINK 14633

ADA

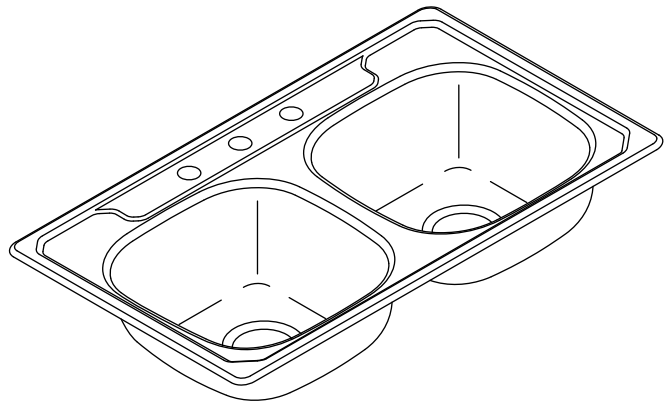
Features

- 20-gauge stainless steel
- Includes SilentShield® sound-absorption technology
- Double (equal) bowl, ledge back sink
- Top-mount, rolled rim
- 33" (838 mm) x 22" (559 mm) x 6" (152 mm)

Codes/Standards Applicable

Specified model meets or exceeds the following:

- ADA
- ASME A112.19.3/CSA B45.4
- ICC/ANSI A117.1



Colors/Finishes

- NA: None applicable

Accessories

- CP: Polished Chrome

Specified Model

Model	Description	Faucet Holes	Quantity	Basin Depth	Colors/ Finishes
14633-3	Top-mount kitchen sink (shown)	3	1	6" (152 mm)	<input type="checkbox"/> NA
14633-4	Top-mount kitchen sink	4	1	6" (152 mm)	<input type="checkbox"/> NA
14633-3F	Top-mount kitchen sink, multi-pack	3	50	6" (152 mm)	<input type="checkbox"/> NA
14633-4F	Top-mount kitchen sink, multi-pack	4	50	6" (152 mm)	<input type="checkbox"/> NA

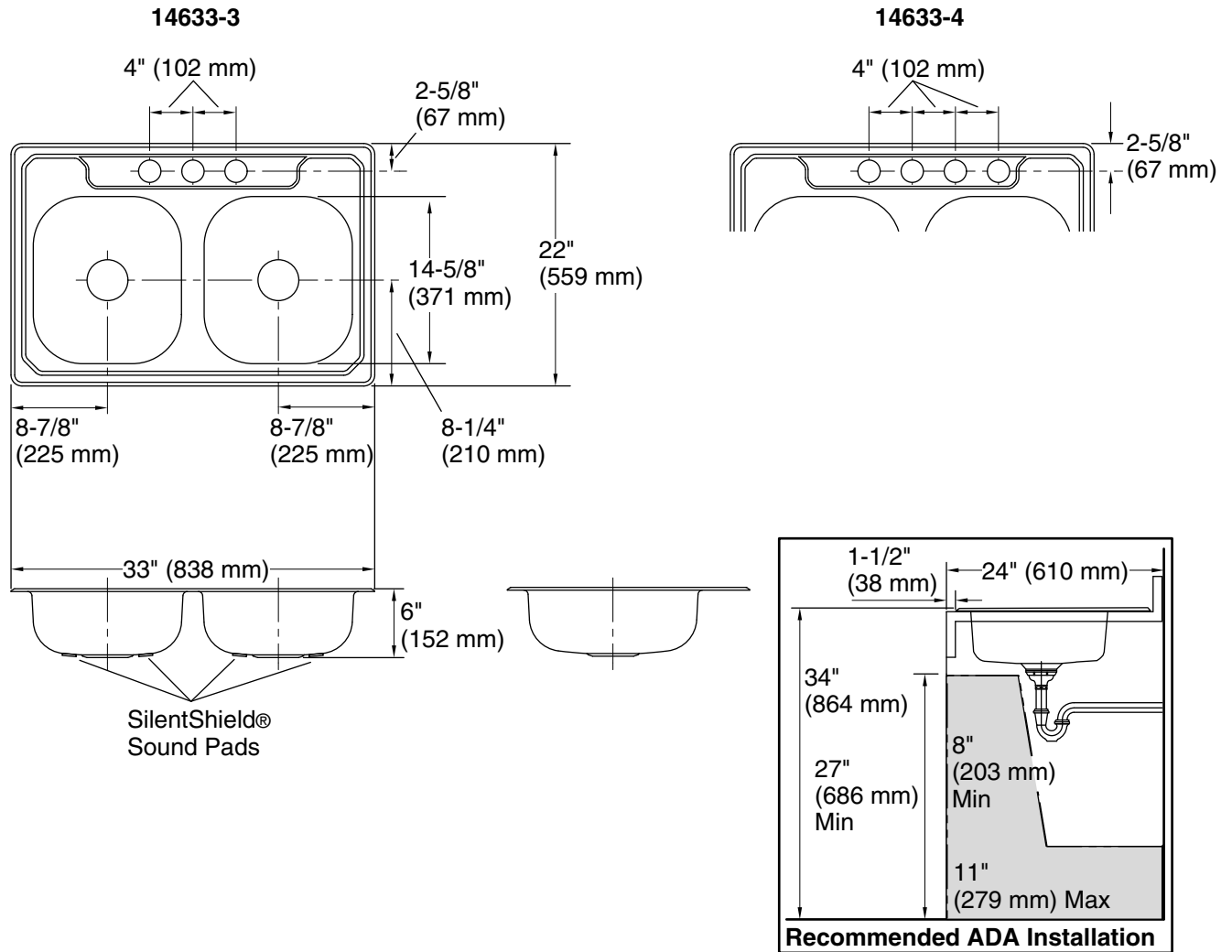
Optional Accessories

K-8813	Stainless steel sink strainer with tailpiece	<input type="checkbox"/> CP
--------	--	-----------------------------

MIDDLETON®

Technical Information

Fixture*: Sink	
Bowl area	13-3/4" (349 mm) x 15-1/2" (394 mm)
Drain holes	Ø 3-5/8" (92 mm)
Faucet holes	Ø 1-7/16" (37 mm)
* Approximate measurements for comparison only.	
Cutout size	32-1/2" (826 mm) x 21-1/2" (546 mm)



Product Diagram