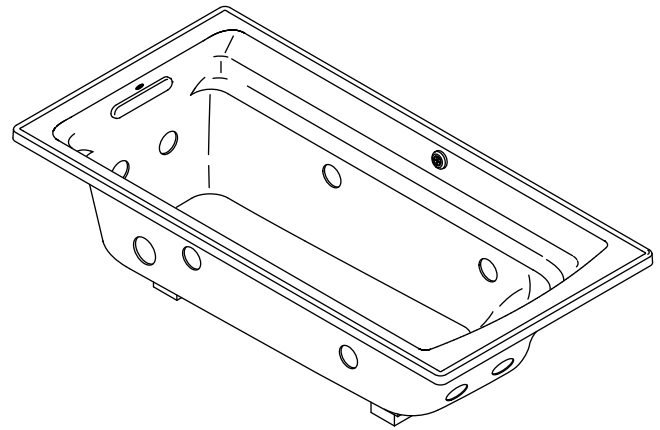


Features

- Acrylic
- Bask™ heated lumbar support with three temperature settings
- Slotted overflow for maximum bathing depth
- 8 fully adjustable color-matched hydro-massage jets
- Comfort Depth® design offers a 19" (483 mm) step-over height
- Molded lumbar support and armrests for comfort
- Textured bottom surface
- Drop-in installation
- Reversible drain
- 72" (1829 mm) x 36" (914 mm) x 19" (483 mm)

6' BATH WHIRLPOOL WITH BASK™ K-1124-W1

ADA



Codes/Standards Applicable

Specified model meets or exceeds the following:

- ADA
- CSA B45.5/IAPMO Z124
- ICC/ANSI A117.1
- ASTM E162
- ASTM E662
- UL 1795
- ASME A112.19.7/CSA B45.10

Colors/Finishes

- 0: White
- Other: Refer to Price Book for additional colors/finishes
- CP: Polished Chrome

Specified Model

Model	Description	Colors/Finishes	
K-1124-W1	6' Bath whirlpool with Bask	<input type="checkbox"/> 0	<input type="checkbox"/> Other_____
Required Accessories			
K-7271	Clearflo slotted overflow brass bath drain OR	<input type="checkbox"/> CP	<input type="checkbox"/> Other_____
K-7272	Clearflo slotted overflow bath drain – PVC pipe	<input type="checkbox"/> CP	<input type="checkbox"/> Other_____
Optional Accessories			
K-9529	Removable bath seat	<input type="checkbox"/> 0	

Product Specification

The acrylic bath whirlpool shall be 72" (1829 mm) in length, 36" (914 mm) in width, and 19" (483 mm) in height. Product shall feature Bask heated lumbar support with three temperature settings. Product shall have slotted overflow for maximum bathing depth, 8 fully adjustable color-matched hydro-massage jets, and textured bottom surface. Product shall feature Comfort Depth design, which offers a 19-inch step-over height. Product shall have molded lumbar support and armrests for comfort. Product shall be for drop-in installation. Product shall have reversible drain. Bath whirlpool shall be Kohler Model K-1124-W1-_____.

ARCHER®

Technical Information

Fixture*:			
Bathing well:			
Basin area, bottom	51-3/8" (1305 mm) x 21" (533 mm)		
Basin area, top	64-1/2" (1638 mm) x 30-1/2" (775 mm)		
Weight	116 lbs (52.6 kg)		
To overflow:			
Water depth	15" (381 mm)		
Capacity	72 gal (273 L)		
* Approximate measurements for comparison only.			
Drop-in cut-out	70-1/2" (1791 mm) x 34-1/2" (876 mm)		
	V	Hz	A
1-speed pump	120	60	7
Heated surface	120	60	0.5

Required Electrical Service

Dedicated circuit required, protected with a Class A Ground-Fault Circuit-Interrupter (GFCI):	
Pump/Control/Heated surface	120 V, 15 A, 60 Hz

Installation Notes

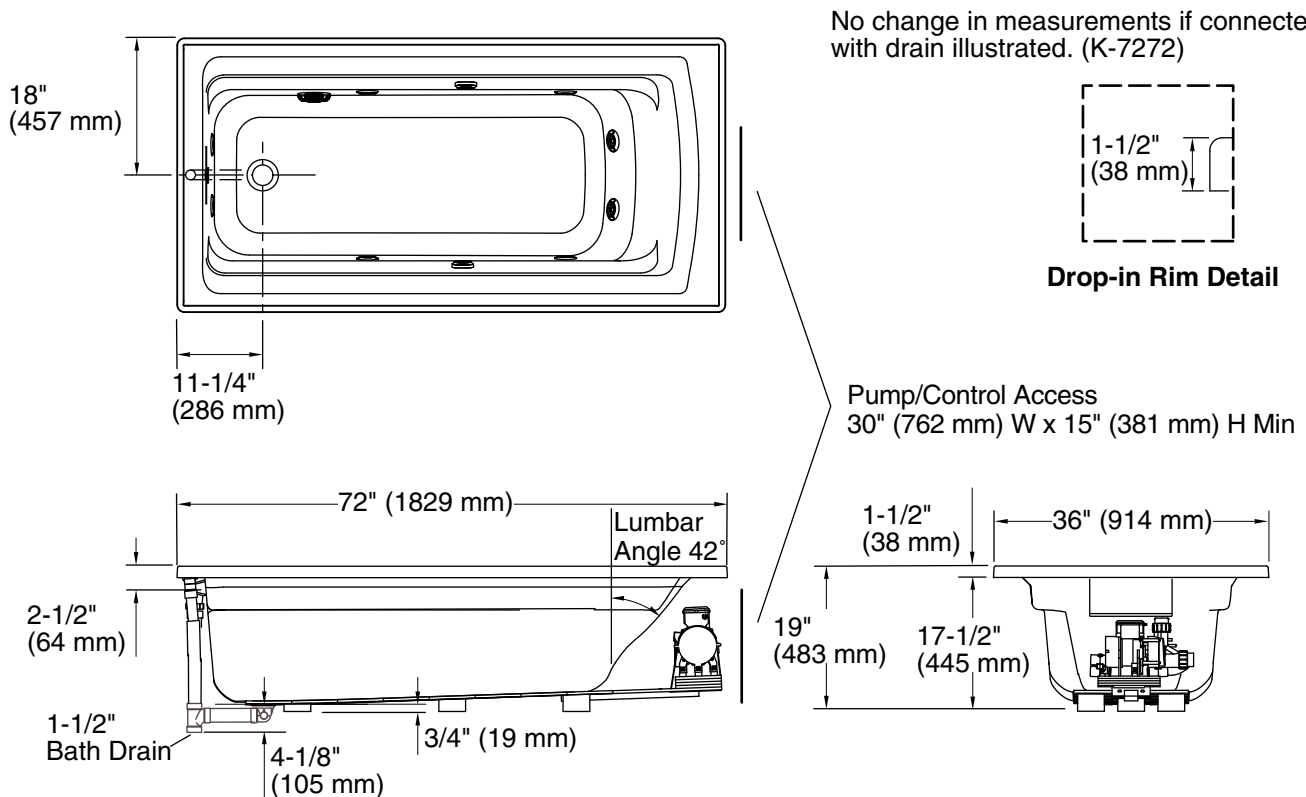
Install this product according to the installation guide.

Floor support under this product must provide for a minimum of 41 lbs/square foot (201 kg/square meter) loading.

This product is designed for drop-in installation only. It is not suited for use in a three-wall alcove with an overhead shower.

Locate a GFCI-protected 120 V, 15 A, grounded duplex electrical outlet within 24" (610 mm) of the bath junction box.

Will comply with **ADA** when installed per Section 607 Bathtubs of the ADA 2010 Standards for Accessible Design.



Product Diagram