

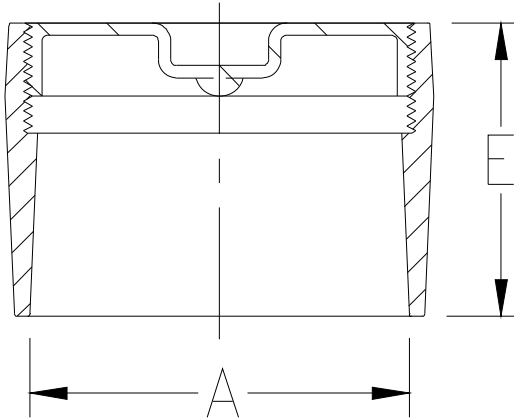


Z1440 CLEANOUT FERRULE WITH PLUG

SPECIFICATION SHEET

TAG _____

Dimensional Data (inches and [mm]) are Subject to Manufacturing Tolerances and Change Without Notice



Dimensions In Inches		Approx. Wt. Lbs. [kg]
A-Pipe Size	E	
2 [51]	2-1/2 [64]	2 [1]
3 [76]	2-3/4 [70]	4 [2]
4 [102]	3 [76]	5 [2]
5 [127]	3 [76]	7 [3]
6 [152]	3 [76]	8 [4]
8 [203]	3-1/2 [89]	13 [6]
10 [252]	3-1/2 [89]	20 [9]
12 [305]	4-1/4 [108]	28 [13]

ENGINEERING SPECIFICATION: ZURN Z1440

Cleanout with Dura-Coated cast iron body, with gas and watertight ABS tapered thread plug.

OPTIONS (Check/specify appropriate options)

PIPE SIZE (Specify size) **OUTLET**
 2 thru 6-8-10-12 [51 thru 152-203-252-305] ___ NH No-Hub

'E' BODY HT. DIM.
 See Chart

PREFIXES

___ Z Dura-Coated Cast Iron Body and ABS Plug*

SUFFIXES

- ___ -A Raised Head Plug
- ___ -BP Bronze Plug
- ___ -G Galvanized Cast Iron

REV. E	DATE: 11/03/10	C.N. NO. 120231
DWG. NO. 58762	PRODUCT NO. Z1440	

*REGULARLY FURNISHED UNLESS OTHERWISE SPECIFIED