

# ADJUSTABLE ON-GRADE CLEANOUT

» 834 SERIES

FinishLine™

## SPECIFICATION

Sioux Chief 834 series FinishLine™ adjustable on-grade cleanout shall be used where necessary in drainage systems. Cleanout shall allow adjustment before and AFTER the concrete pour. Scoriated cleanout cover shall meet applicable load requirements for intended use. Cleanout shall include a slotted, polypropylene or brass cleanout plug, situated in base adapter. Designed in accordance with ASME A112.36.2M-2002.

## MATERIALS

**Ring/cover:** Nickel-bronze, stainless steel, tenzalloy

**Coring plug:** High-impact polymer

**Head adapter/coring sleeve:** Gray ABS

**Base adapter:** ABS, PVC

**Cleanout plug:** Polypropylene, brass

## STRAINER LOAD RATING

**Nickel-bronze:** 4,000 lbs. (Medium duty)

**Stainless steel:** 4,000 lbs. (Medium duty)

**Tenzalloy:** 1,250 lbs. (Light duty)

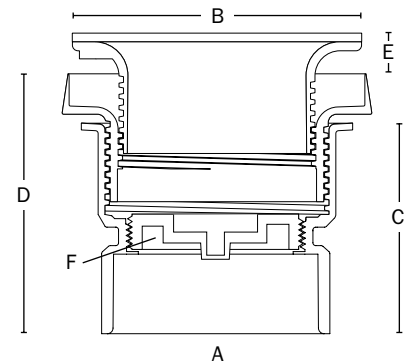
## DIMENSIONS

<b>A:</b> Connection	3×4", 4" Sch. 40 hub
<b>B:</b> Ring/strainer diameter	
Round	6 <sup>1</sup> / <sub>2</sub> "
Square	6 <sup>5</sup> / <sub>8</sub> "
<b>C:</b> Base adapter height	4 <sup>1</sup> / <sub>2</sub> "
<b>D:</b> Pre-pour height	5 <sup>3</sup> / <sub>8</sub> " – 6 <sup>5</sup> / <sub>8</sub> "
<b>E:</b> After-pour height	
Round	0" – 1 <sup>1</sup> / <sub>4</sub> "
Square	5 <sup>5</sup> / <sub>16</sub> " – 1 <sup>1</sup> / <sub>4</sub> "
<b>F:</b> Cleanout plug	3 <sup>1</sup> / <sub>2</sub> " male thread

ITEM # SUBMITTED	_____
JOB NAME	_____
LOCATION	_____
ENGINEER	_____
CONTRACTOR	_____
PO#	_____ TAG _____



834-4PNQ



## Create Item Number

# 834-ABCD

e.g. **834-4PNRV**: FinishLine™ cleanout with 4" PVC hub connection and vandal-resistant nickel-bronze cover

### CONNECTION **A**

**3** = 3×4" Sch. 40 hub

**4** = 4" Sch. 40 hub

### CONNECTION TYPE **B**

**A** = ABS base adapter

**P** = PVC base adapter

### RING/COVER **C**

**NR** = Round nickel-bronze

**NQ** = Square nickel-bronze

**SR** = Round stainless steel

**SQ** = Square stainless steel

**TR** = Round tenzalloy

### INSTALLED OPTIONS **D**

**V** = Vandal-resistant cover screws

**S** = Stamping: specify letters

**C** = Carpet marker

**Z** = Complies with Buy American Act<sup>1</sup>

### ACCESSORIES (ordered separately)

**832-S4** = Leveling shim kit

**832-EX4** = Ductile extension adapter

**832-W** = Flexible locating bristle kit

<sup>1</sup> Available for round nickel-bronze covers only