



4700 W. 160th St.  
Cleveland, Ohio 44135  
Ph: (800) 321-9532  
Fax: (800) 321-9535  
www.oatey.com

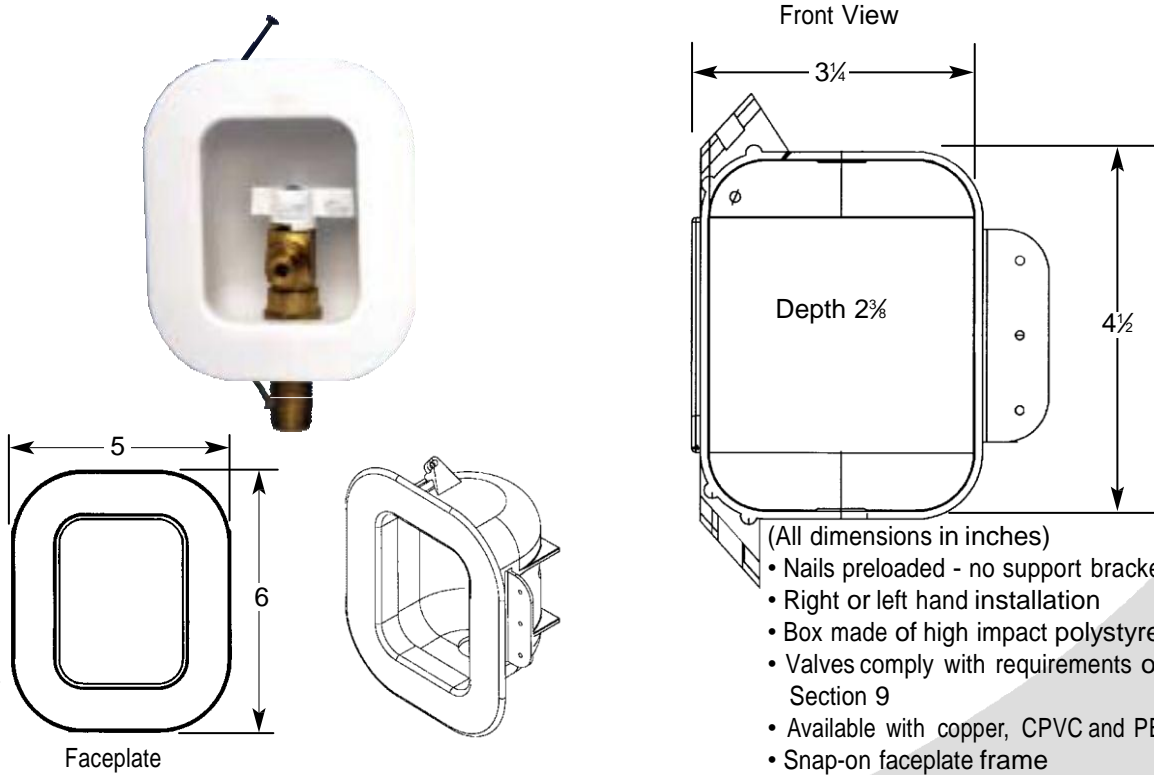
# I2K® Ice Maker Box with Nails



## SUBMITTAL SPECIFICATION

**Engineering Specification:** Oatey Ice Maker boxes can be used in commercial or residential applications which require supply valves recessed into the wall.

Job Reference



✓	Prod. No	Description
	38573	1/4 Turn Brass Hammer Ball Valve - F2080 PEX
	38580	1/4 Turn Brass Hammer Ball Valve - Copper Sweat
	38581	1/4 Turn Brass Hammer Ball Valve - Copper Sweat - Display Box
	38582	1/4 Turn Brass Hammer Ball Valve - CPVC
	38583	1/4 Turn Brass Ball Valve - ASTM F1807 PEX
	38584	1/4 Turn Brass Hammer Ball Valve - ASTM F1960 PEX
	38586	1/4 Turn Brass Ball Valve - Copper Sweat
	38587	1/4 Turn Brass Ball Valve - Copper Sweat - Display Box
	38596	1/4 Turn Brass Ball Valve- F2080 PEX - Standard Pack
	38597	1/4 Turn Brass Ball Valve - 3/8" PEX
	38606	1/4 Turn Brass Ball Valve - ASTM F1960 PEX - Contractor Pack (12 per)
	38609	1/4 Turn Brass Ball Valve - ASTM F1974 PEX - Contractor Pack (12 per)
	38610	1/4 Turn Brass Ball Valve - CPVC - Standard Pack (6 per)
	38611	1/4 Turn Brass Ball Valve - Copper Sweat - Standard Pack (6 per)
	38612	1/4 Turn Brass Ball Valve - Copper Sweat - Contractor Pack (12 per)
	38613	1/4 Turn Brass Ball Valve - PEX - Standard Pack (6 per)
	38614	1/4 Turn Brass Ball Valve - CPVC - Contractor Pack (12 per)
	38615	1/4 Turn Brass Ball Valve - ASTM F1807 PEX - Contractor Pack (12 per)
	38617	North American Boiler Drain Valve - Copper Sweat - Standard Pack (6 per)
	38618	1/4 Turn Brass Ball Valve - Copper Sweat - Tract Pack (6 per)
	39125	1/4 Turn Brass Hammer Ball Valve Low Lead-Copper Sweat- Standard Pack
	38597	1/4 Turn Brass Ball Valve - 3/8" PEX-Standard Pack (6 Per)
	38596	1/4 Turn Brass Ball Valve - F2080 PEX - Standard Pack (6 Per)

Valves meet ASME A112.18.1



Data is subject to manufacturing tolerances.

Visit [www.oatey.com](http://www.oatey.com) for updates.

	39133	¼ Turn Brass Ball Valve Low Lead- CPVC Standard Pack (6 Per)
	39134	¼ Turn Brass Ball Valve Low Lead – Copper Sweat- Standard Pack (6 Per)
	39135	I2K, ¼ Turn, Copper, Low Lead – Contractor Pack
	39130	I2K, ¼ Turn, Copper, Low Lead – Display Pack
	39137	I2K, ¼ Turn, CPVC, Low Lead – Contractor Pack
	39136	I2K, ¼ Turn, F1807, Low Lead – Standard Pack
	39138	I2K, ¼ Turn, F1807, Low Lead – Contractor Pack
	39132	I2K, ¼ Turn, F1960, Low Lead – Contractor Pack
	39139	I2K, Boiler Drain, Copper, Low Lead, NAFTA – Standard Pack
	39125	I2K, ¼ Turn, Copper, Hammer, Low Lead – Standard Pack
	39126	I2K, ¼ Turn, CPVC, Hammer, Low Lead – Standard Pack
	39127	I2K, ¼ Turn, F1807, Hammer, Low Lead – Standard Pack
	39128	I2K, ¼ Turn, F1960, Hammer, Low Lead – Standard Pack

✓ <b>Accessories</b>		
	38622	Plastic Faceplate, 1" deep, for I2K and S2K
	38621	Plastic Faceplate, 1/2" deep, for I2K and S2K
	38619	Plain Box- Standard Pack (6 Per)