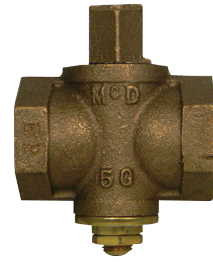


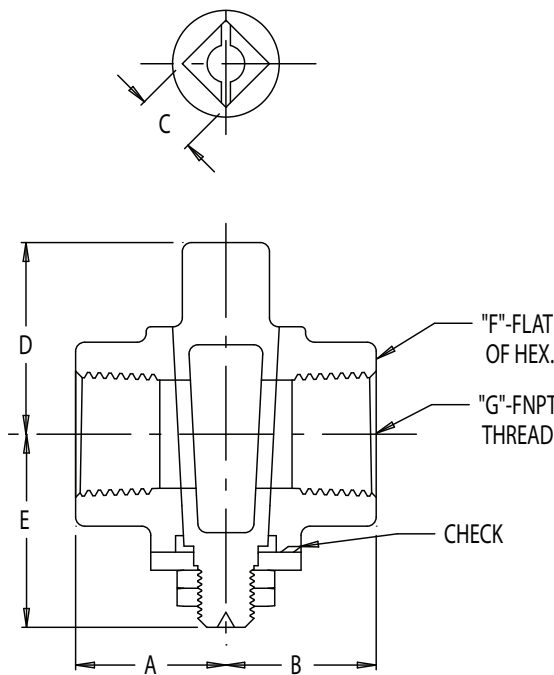
SUBMITTAL DATA SHEET

Brass Low Pressure Gas Valve - Plug Style - Gas Only
Square Head with Check - Boston Pattern - 10584
 (with double stake nut)

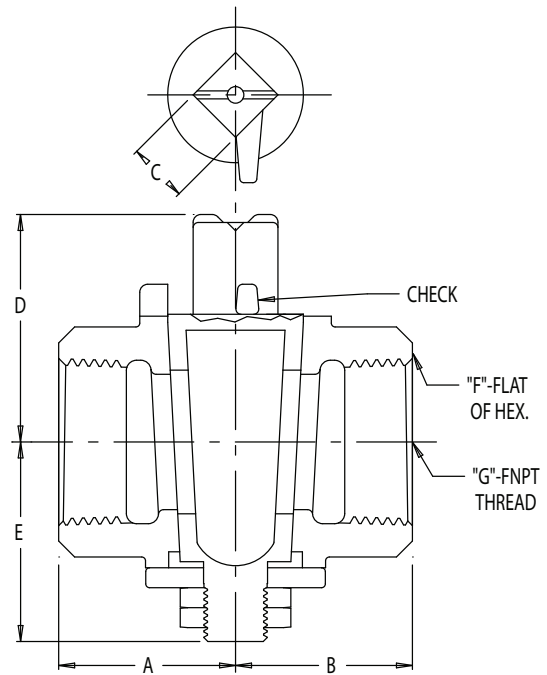
Inlet: FNPT Thread, Outlet: FNPT Thread



Brass body and plug manually operated low pressure natural or propane gas valve for use indoors on house piping system between the meter outlet and the inlet connection of the gas appliance at ambient temperatures of 32 to 125 degrees Fahrenheit.



1/2" & 3/4" bottom check



All other sizes top check

Dimensions

Size	A	B	C	D	E	F	G
1/2"	1.00	1.00	.41	1.22	1.27	1.06	1/2
3/4"	1.16	1.16	.47	1.53	1.39	1.28	3/4

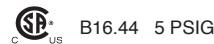
Dimensions

Size	A	B	C	D	E	F	G
1"	1.38	1.38	.47	1.72	1.56	1.59	1
1 1/4"	1.61	1.61	.69	2.18	1.82	2.19	1 1/4
1 1/2"	2.20	2.20	.78	2.19	2.09	2.25	1 1/2
2"	2.18	2.18	1.00	2.57	2.31	2.75	2

SUBMITTAL INFORMATION

- Sizes: 1/2", 3/4", 1", 1 1/4", 1 1/2", 2"
- 2 PSIG
- NOTE: All A.Y. McDonald plug style gas valves are factory set.
DO NOT TAMPER WITH BOTTOM NUT.

1/2" & 3/4" valves manufactured to:



Non-Potable
Use Only

WARNING: It is unlawful in CALIFORNIA & VERMONT (effective 1/1/2010); MARYLAND (effective 1/1/2012); LOUISIANA (effective 1/1/2013) and the UNITED STATES OF AMERICA (effective 1/4/2014) to use THIS PRODUCT in the installation or repair of any public water system or any plumbing in a facility or system that provides water for human consumption. The wetted surface area of THIS PRODUCT has a weighted average lead content greater than 0.25%.



A.Y. McDonald Mfg. Co.
 P.O. Box 508
 Dubuque, IA 52004-0508

Toll Free: 1-800-292-2737
Fax: 1-800-832-9296
Hours: 7:00 a.m. - 5:00 p.m., CST

sales@aymcdonald.com
www.aymcdonald.com

A.Y. McDonald considers the information on this assembly drawing correct when published. Item and option availability, including specifications, are subject to change without notice.

Submitted by: