

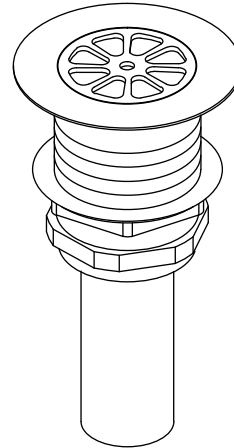
Features

- Brass construction
- Brass tailpiece
- Removable perforated strainer
- Available with 1-1/2" OD tailpiece [K-9115] or 2" OD tailpiece [K-9118]

Codes/Standards Applicable

- Specified model meets or exceeds the following:
- ASME A112.18.2/CSA B125.2

**SINK STRAINER
K-9115
ALSO K-9118**



Colors/Finishes

- CP: Polished Chrome

Specified Model

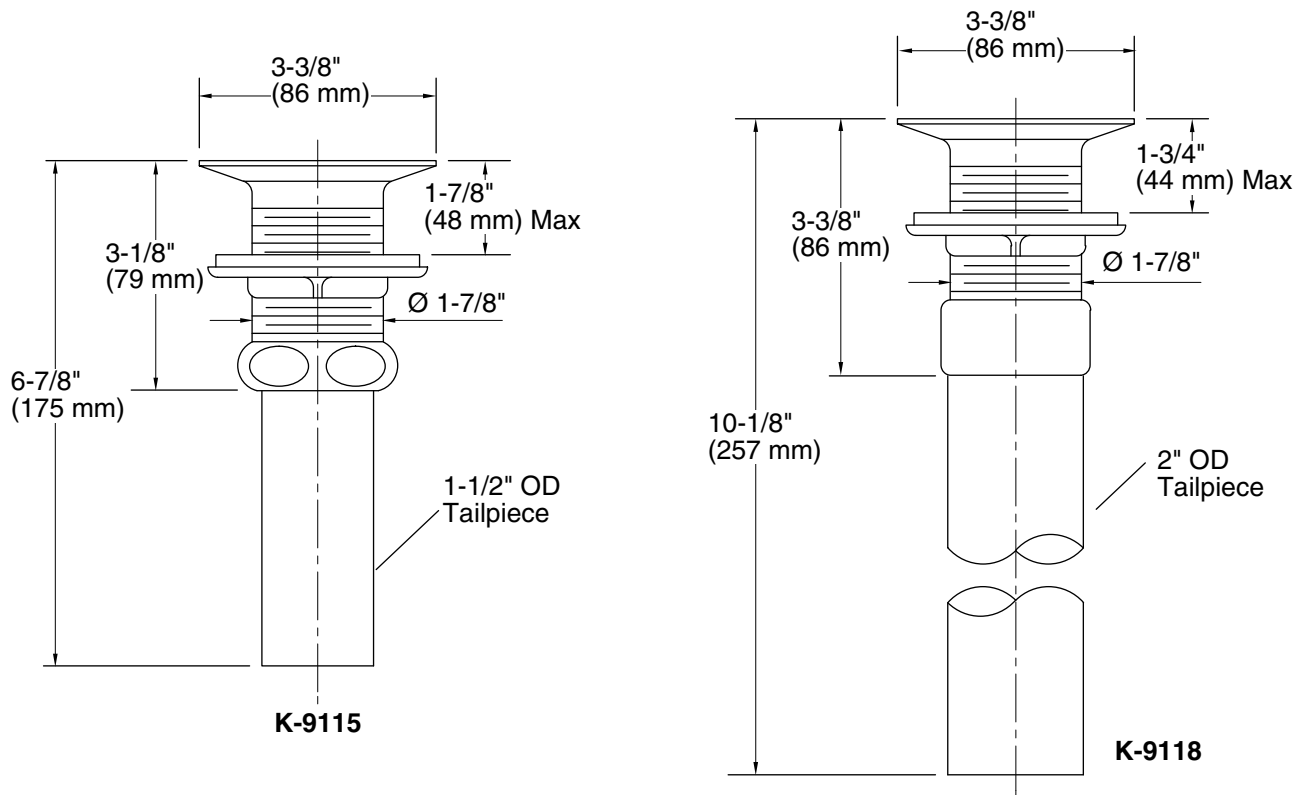
Model	Description	Colors/Finishes
K-9115	Sink strainer with 1-1/2" OD tailpiece	<input type="checkbox"/> CP
K-9118	Sink strainer with 2" OD tailpiece	<input type="checkbox"/> CP

Product Specification

The sink strainer shall be of brass construction with a brass tailpiece. Product shall be available with a 1-1/2" OD tailpiece [K-9115] or a 2" OD tailpiece [K-9118]. Product shall feature a removable perforated strainer. Strainer shall be Kohler Model K-____-CP.

Installation Notes

Install this product according to the installation guide.



Product Diagram