



see what Delta can do™

# WALL BAR HAND HELD SHOWER

■ 5-Spray Setting Wall Bar Hand Shower

### FEATURES:

- Touch-Clean® Nozzles
- H<sub>2</sub>Okinetic Technology® Hand Shower

### STANDARD SPECIFICATIONS:

- Maximum 1.75 gpm @ 80 psi, 6.6 L/min @ 550 kPa
- Hand held shower with five spray patterns – not a positive shut-off
- Wall bar w/adjustable slide (allows for adjustable shower height). Not to be used as a grab bar.
- 60" - 82" (1524mm-2083mm) metal stretchable hose
- Certified dual check valves

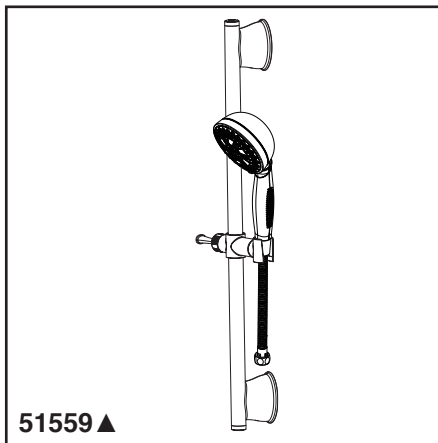
### WARRANTY

- Lifetime limited warranty on parts (other than electronic parts and batteries) and finishes; or, for commercial users, for 5 years from the date of purchase.
- 5 year limited warranty on electronic parts (other than batteries); or for commercial users, for 1 year from the date of purchase. No warranty is provided on batteries.



### COMPLIES WITH

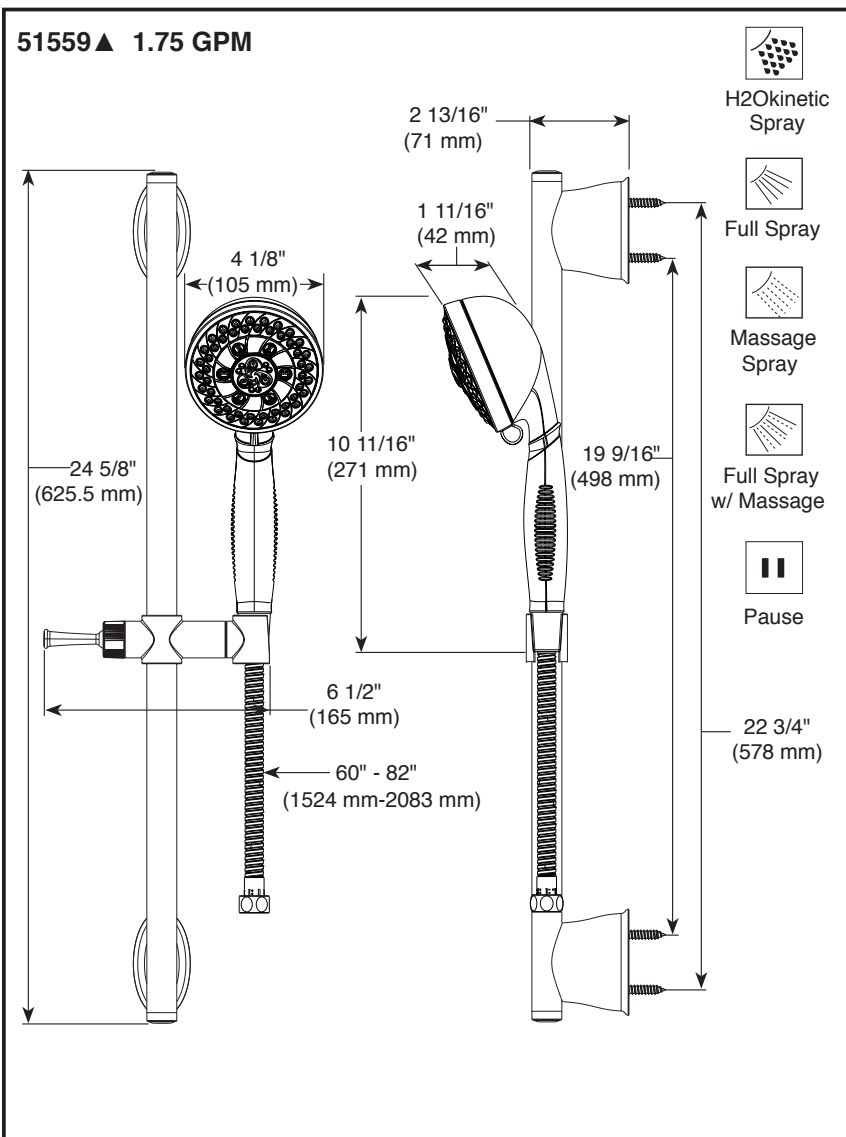
- ASME A112.18.1 / CSA B125.1
- EPA WaterSense®



51559▲

Submitted Model No.: \_\_\_\_\_

Specific Features: \_\_\_\_\_



▲ Designate proper finish suffix

Delta reserves the right (1) to make changes in specifications and materials, and (2) to change or discontinue models, both without notice or obligation. Dimensions are for reference only. See current full-line price book or [www.deltafaucet.com](http://www.deltafaucet.com) for finish options and product availability.