

STERLING

A KOHLER COMPANY

60" x 32" end drain shower stall w/Aging in Place backerboards

Ensemble™

72180126



Features

- 3-1/2" threshold.
- Durable high-gloss finish.
- Three-piece, tongue-and-groove walls with snap-together installation.
- Convenient shelves, shaving ledge/footrest.
- Dry-Block™ seal and channeled water containment system.
- Aging In Place backerboards.

Material

- Made from solid Vikrell® material for strength, durability, and lasting beauty.

Installation

- Alcove.
- Right drain.
- Some caulk required for proper installation.

Recommended Products/Accessories

- K-23726 Drain treatment
- K-23733 Vikrell® cleaner

Included Components

Product consists of:

- 72181120 60" x 32" right-hand shower base
- 72232106 60" curve shower back wall w/Aging in Place backerboard
- 72185106 32" x 71-1/4" shower end wall set w/Aging in Place backerboards



Codes/Standards



- CSA B45.5/IAPMO Z124
- ASTM E162
- ASTM E662
- HUD, UM Bulletin 73

Warranty – Bathing Fixtures (and Kitchen and Utility Sinks Made of Solid Vikrell® Material)

See website for detailed warranty information.

Available Colors/Finishes

Color tiles intended for reference only.

Color	Code	Description
	0	White
	96	KOHLER Biscuit

1-800-STERLING (1-800-783-7546)

Kohler Co. reserves the right to make revisions without notice to product specifications.

For the most current Specification Sheet, go to www.sterlingplumbing.com.

8-22-2020 13:43 - US

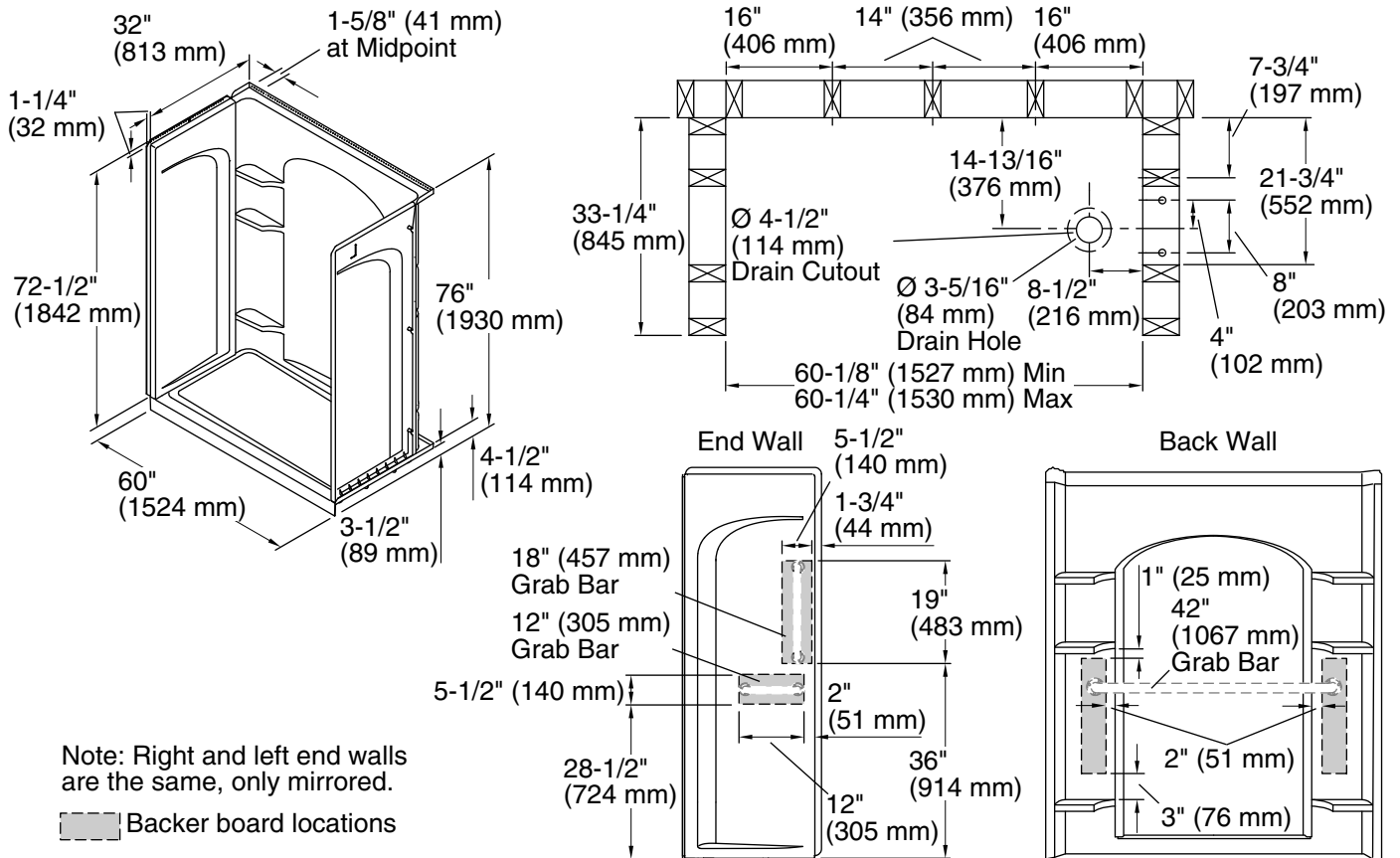
STERLING

A KOHLER COMPANY

Ensemble™

60" x 32" end drain shower stall w/Aging in Place backerboards

72180126



Note: Right and left end walls are the same, only mirrored.

Backer board locations

Technical Information

All product dimensions are nominal.

- Installation: Three-wall alcove
- Drain location: Right
- Drain hole diameter: 3-5/16" (84 mm)
- Weight: 125.4 lbs (56.9 kg)
- Minimum flat for door: 3" (76 mm)
- Threshold height: 3-1/2" (89 mm)
- Maximum door height: 70-1/2" (1791 mm)
- Maximum door width: 56-5/8" (1438 mm)

Notes

- Install this product according to the installation instructions.
- Studs should be positioned as shown.
- Double studding is recommended for pivot shower door installations.

1-800-STERLING (1-800-783-7546)

Kohler Co. reserves the right to make revisions without notice to product specifications.

For the most current Specification Sheet, go to www.sterlingplumbing.com.

8-22-2020 13:43 - US