

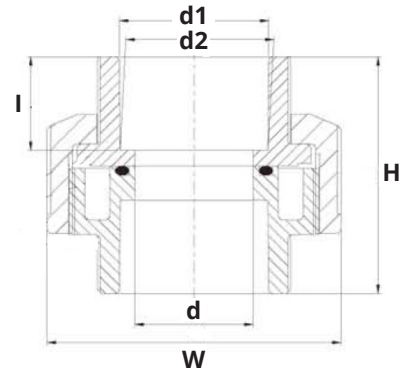
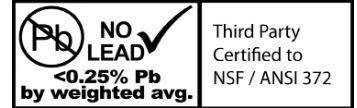
457/458 SERIES PVC WHITE SCHEDULE 40 UNION

SPECIFICATION:

- Threads conform to ASME F1498
- Dimensions conform to ASTM D2466
- Materials conform to ASTM D1784
- Max Temperature Rating: 140°F (60°C)
- Max Pressure Rating: 150 PSI @ 73°F(22°C)

CERTIFICATION:

- NSF/ANSI Standard 61 & 372 Certified



MATERIAL LIST	
Name	Material
Body	UPVC
End Connector	UPVC
Union Nut	UPVC
O-ring	EPDM

DIMENSIONS														
Part No.	Nominal Size	d		d1		d2		W		I		H		Weight grams
		inches	mm	inches	mm	inches	mm	inches	mm	inches	mm	inches	mm	
SLIP x SLIP														
457-005	1/2"	0.53	13.50	0.85	21.54	0.84	21.23	1.83	46.50	0.87	22.22	2.20	56.00	60
457-007	3/4"	0.65	16.50	1.06	26.87	1.05	26.57	2.17	55.00	1.00	25.40	2.52	64.00	90
457-010	1"	0.87	22.00	1.32	33.65	1.31	33.27	2.60	66.00	1.13	28.58	2.83	72.00	140
457-012	1-1/4"	1.18	30.00	1.67	42.42	1.66	42.04	3.23	82.00	1.25	31.75	3.43	87.00	340
457-015	1-1/2"	1.50	38.00	1.91	48.56	1.89	48.11	3.86	98.00	1.38	34.93	3.54	90.00	380
457-020	2"	1.89	48.00	2.39	60.63	2.37	60.17	4.72	120.00	1.50	38.10	3.86	98.00	620
FPT x FPT														
458-005	1/2"	0.53	13.50	na	na	na	na	1.83	46.50	0.87	22.22	2.20	56.00	60
458-007	3/4"	0.65	16.50	na	na	na	na	2.17	55.00	1.00	25.40	2.52	64.00	90
458-010	1"	0.87	22.00	na	na	na	na	2.60	66.00	1.13	28.58	2.83	72.00	140
458-012	1-1/4"	1.18	30.00	na	na	na	na	3.23	82.00	1.25	31.75	3.43	87.00	340
458-015	1-1/2"	1.50	38.00	na	na	na	na	3.86	98.00	1.38	34.93	3.54	90.00	380
458-020	2"	1.89	48.00	na	na	na	na	4.72	120.00	1.50	38.10	3.86	98.00	620

TEMPERATURE CORRECTION FACTOR FOR PVC

As temperature increases, working pressure decreases. The optimal working pressure for PVC valves is 150 PSI @ 73°F (22°C). If the temperature increases above 73°F (22°C), use the PVC correction factor to determine working pressure. Multiply the maximum working pressure by the correction factor.

Temperature	73°F (22°C)	90°F (32°C)	100°F (38°C)	110°F (38°C)	120°F (49°C)	130°F (54°C)	140°F (60°C)
PVC Correction Factor	1.00	1.00	1.00	0.83	0.66	0.50	0.33



25 Whaley Avenue, PO Box 310, Milverton, ON CANADA N0K 1M0
Tel: 800-561-3164

boshart.com ♦ blog.boshart.com