

GENERAL

LK2

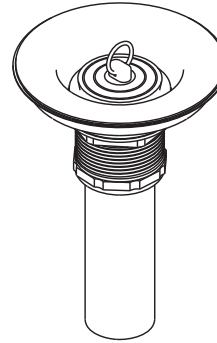
- Type 304 stainless steel body with rubber stopper
- Fits 3-1/2" (89mm) opening
- Polished finish
- Type 304 stainless steel 1-1/2" (38mm) x 4" (102mm) tailpiece

LK20

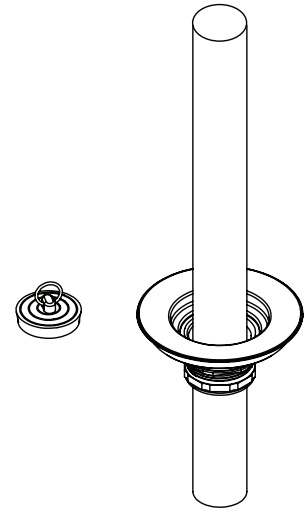
- Type 304 stainless steel body with rubber stopper
- Fits 3-1/2" (89mm) opening
- Polished finish
- Type 304 stainless steel 1-1/2" (38mm) x 4" (102mm) tailpiece
- Type 304 stainless steel 1-7/16" (37mm) x 13" (330mm) removable standpipe

LK373

- Type 304 stainless steel body
- Fits 3-1/2" (89mm) opening
- Polished finish
- Type 304 stainless steel 1-1/2" (38mm) x 4" (102mm) tailpiece
- Type 304 stainless steel 1-1/2" (38mm) x 6-5/8" (168mm) removable standpipe with "O" ring.



Model LK2



Model LK20, LK373

SEE OTHER SIDE FOR PRODUCT DIMENSIONS.

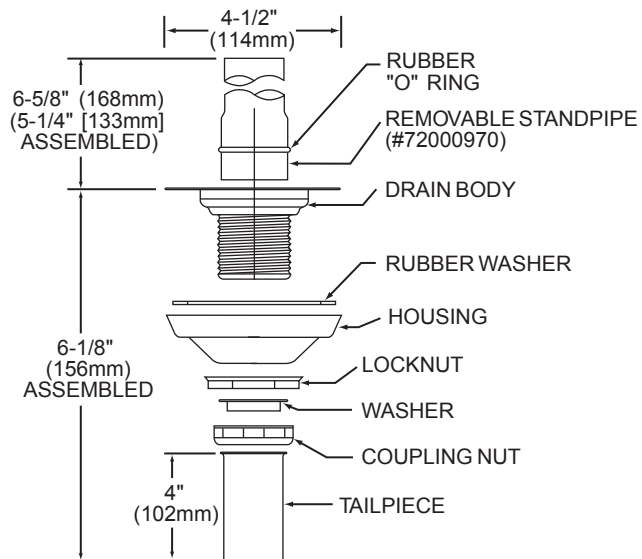
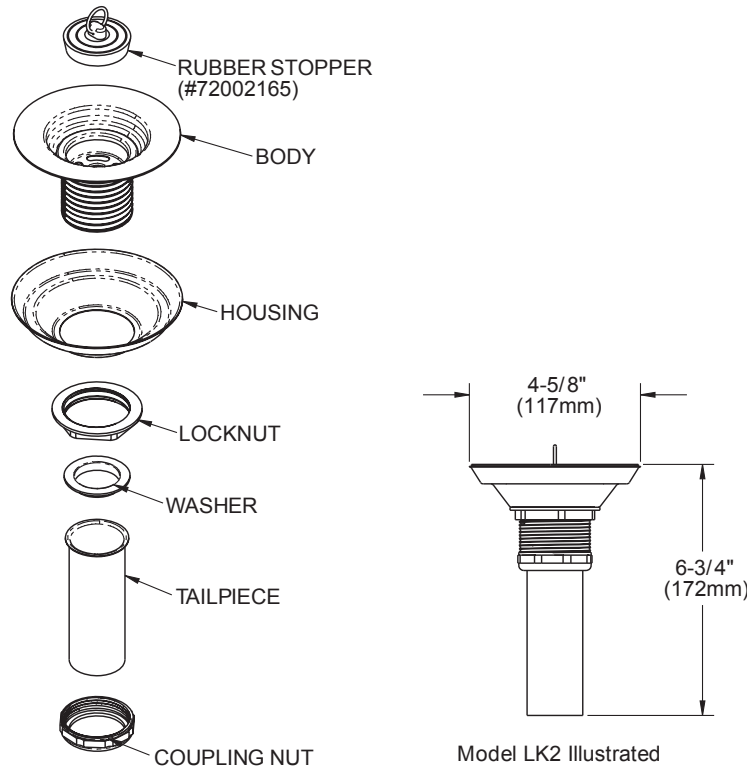
In keeping with our policy of continuing product improvement, Elkay reserves the right to change product specifications without notice. Please visit elkayusa.com for most current version of Elkay product specification sheets.

This specification describes an Elkay product with design, quality and functional benefits to the user. When making a comparison of other producers' offerings, be certain these features are not overlooked.

ELKAY[®]

SPECIFICATIONS

Sink Accessories Drain Fitting Models LK2, LK20, and LK373



In keeping with our policy of continuing product improvement, Elkay reserves the right to change product specifications without notice. Please visit elkayusa.com for most current version of Elkay product specification sheets.

This specification describes an Elkay product with design, quality and functional benefits to the user. When making a comparison of other producers' offerings, be certain these features are not overlooked.