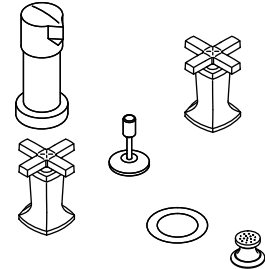


**BIDET FAUCET
K-16238**

Features

- Metal construction
- Brass valve bodies
- Pop-up drain with lift rod and tailpiece
- Flexible connections for easy installation
- Vertical spray
- Fixture-mount transfer valve/vacuum breaker
- Available with cross or lever handles
- Quarter-turn washerless ceramic disc valves



Codes/Standards Applicable

Specified model meets or exceeds the following:

- ASME A112.18.1/CSA B125.1
- ASSE 1001

Colors/Finishes

- CP: Polished Chrome
- Other: Refer to Price Book for additional colors/finishes

Specified Model

Model	Description	Color/Finishes	
K-16238-3	Bidet faucet with cross handles	<input type="checkbox"/> CP	<input type="checkbox"/> Other ____
K-16238-4	Bidet faucet with lever handles	<input type="checkbox"/> CP	<input type="checkbox"/> Other ____

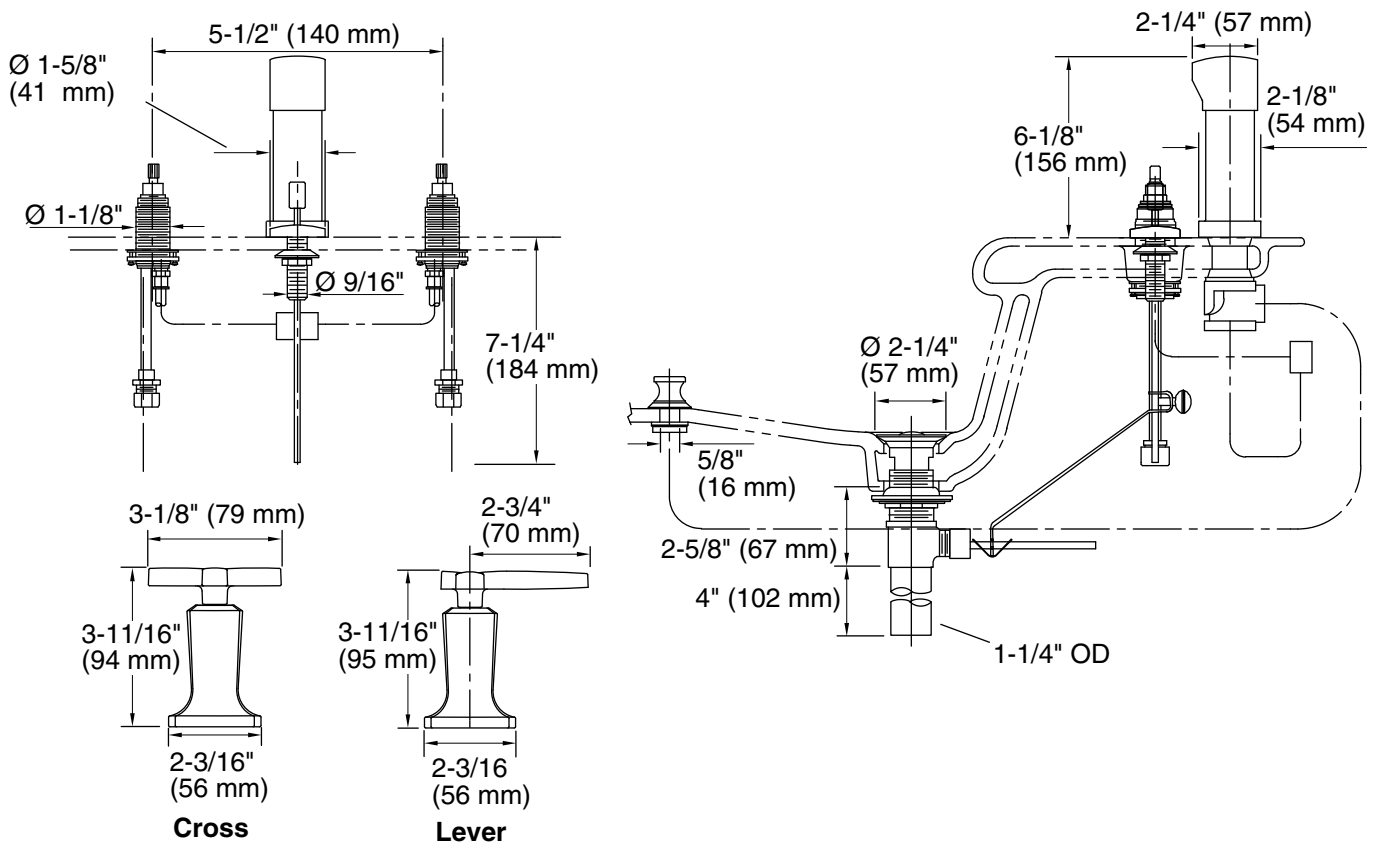
Product Specification

Two-handle fixture-mount bidet faucet shall be of metal construction. Faucet shall feature brass valve bodies. Faucet shall feature quarter-turn washerless ceramic disc valves, assuring positive handle stop positioning. Product shall include flexible connections, pop-up drain with lift rod and tailpiece, handles, vertical spray, and fixture-mount valve/vacuum breaker. Faucet shall be Kohler Model K-16238-_____-_____.

MARGAUX™

Installation Notes

Install this product according to the installation guide.



Product Diagram