



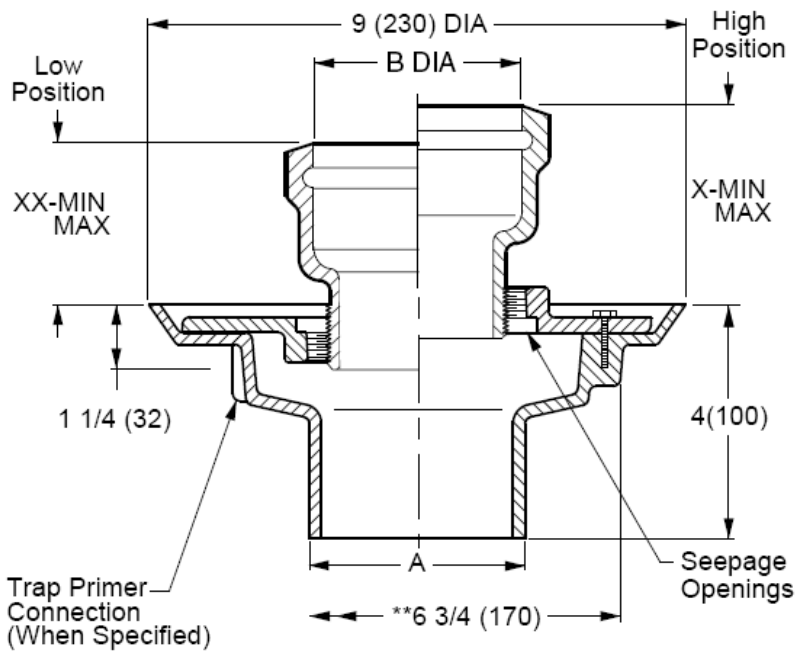
SPECIFICATION:

Model: 2005Y/2645-NB

Duco coated 230 mm diameter, cast iron body
Flashing flange
Adjustable nickel-bronze hub

FUNCTION & CONSTRUCTION:

Mechanical rooms or food service areas for indirect drainage from equipment
Finished floors or unfinished concrete floors
Two-pour membrane floors construction or monolithic concrete pours



REFERENCE:

Smith catalogue page: 2-29

Body 2005Y page: 2-07