

Series 900

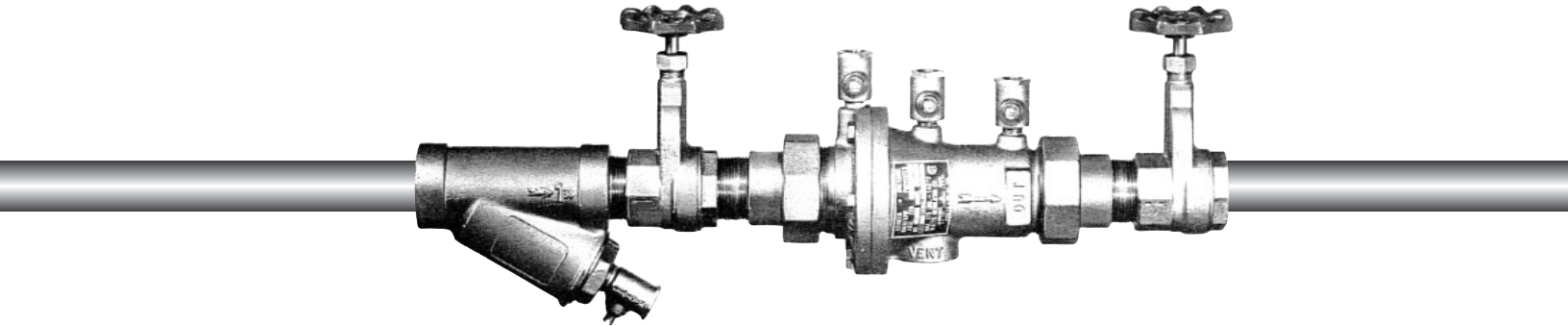
Reduced Pressure Principle Backflow Preventers

Sizes: 3/4" – 2" (20 – 50mm)

- **Service**
- **Replacement Parts**
(Complete Exchange Replacement Head)
- **Maintenance**

For other repair kits and service parts, send for PL-RP-BPD.

For technical assistance, contact your local Watts representative.



900

IMPORTANT: Inquire with governing authorities for local installation requirements.

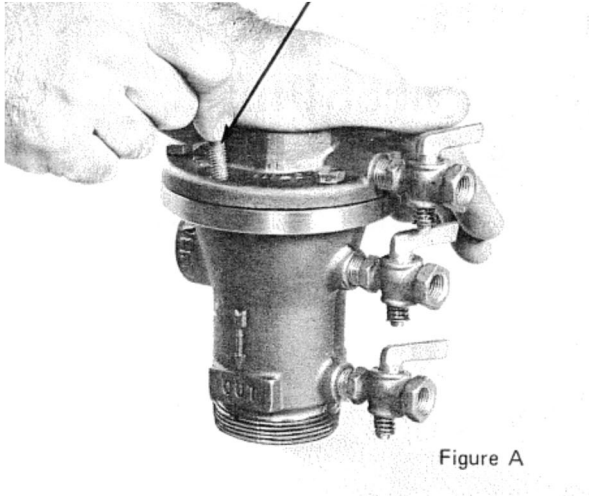
NOTE: For Australia and New Zealand: Pipeline strainers should be installed between the upstream shutoff valve and the inlet of the backflow preventer.

Its important that this assembly be tested periodically in compliance with local codes, but at least once per year or more as service conditions warrant. If installed on a fire sprinkler system, all mechanical checks, such as alarm checks and backflow preventers, should be flow tested and inspected internally in accordance with NFPA 13 and NFPA 25.

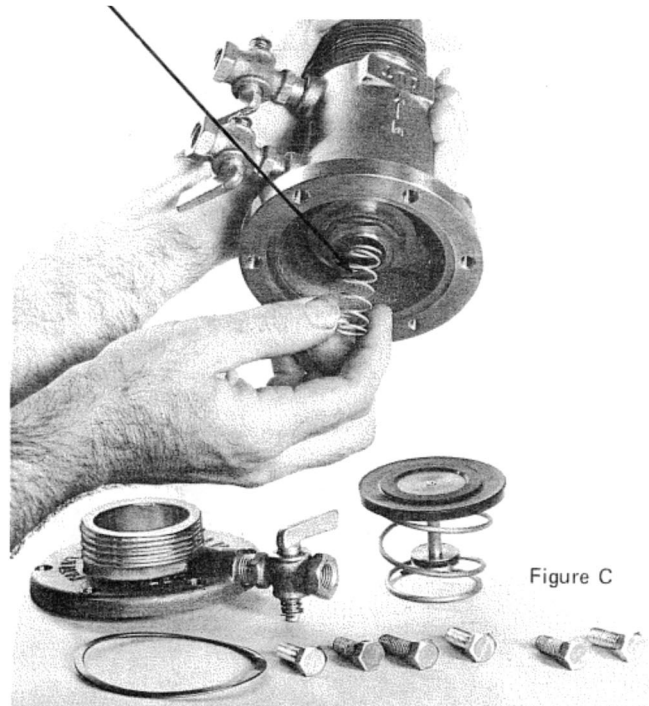
Service replacement parts and maintenance

Disassembly of No. 900

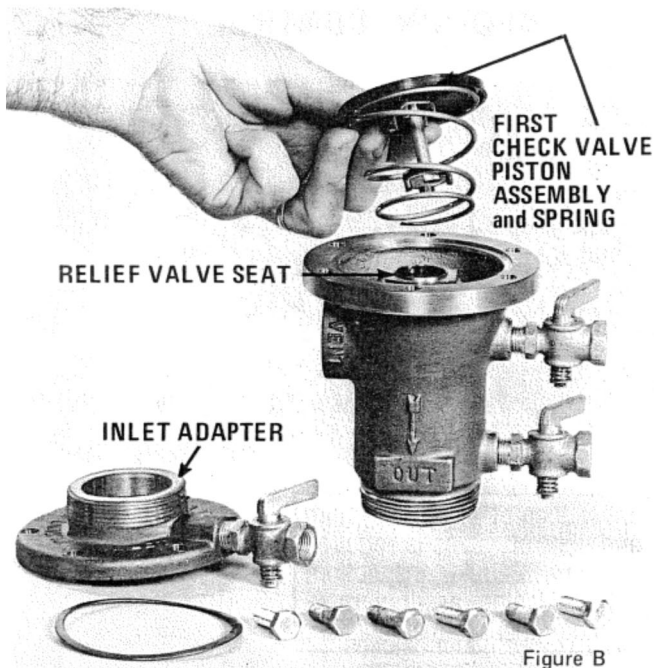
1. Remove the No. 900 head from the line (union nuts and adapters remain in the line).
2. Remove inlet adapter bolts, maintaining pressure by hand adapter to overcome spring preload within the device. (Figure A) Note: Use longer jacking bolts to maintain pressure on adapter while removing short bolts.



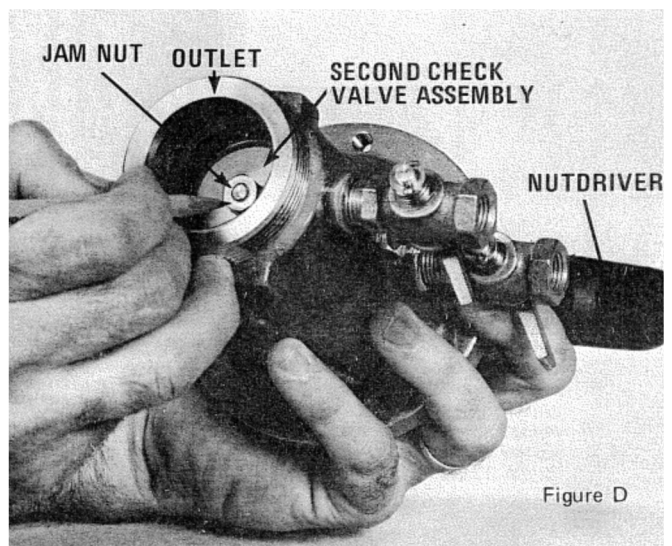
5. Remove relief valve spring. Figure C.



3. Remove inlet adapter and adapter gasket. Lift out first check valve piston assembly and spring. Figure B.
4. The relief valve seat in Series 900 is replaceable although cleaning can be performed without removing from valve.



6. Insert nutdriver through inlet end to engage head of stem. From outlet end, loosen the and remove jam nut with second check valve assembly from outlet end of valve. (Figure D) Remove the stem and second check valve spring from inlet end of valve. (Reference Figure E)



Reassembly of No. 900

1. Place second check valve spring over stem and insert in web, from inlet side of valve, as shown. Figure E.
2. From inlet side, push down stem to overcome spring pressure. From outlet side, insert second check valve assembly and thread on stem. Insert nutdriver through inlet end and engage head of stem. Tighten check valve assembly nut securely. Thread on jam nut and tighten securely. Figure F.
3. Screw in relief valve seat to tapping (if seat was removed).
4. From inlet end of valve, insert small end of relief valve spring over the stem. figure G.
5. Install small end of first check valve spring over relief valve seat, (Ref. Figure B). Insert check valve piston assembly through the seating orifice. Figure H. If above is inserted properly, the second check valve spring will be located under the disc guide. (It is important that this middle spring be seated evenly see No. 7). Also, these parts must be greased. See note on Page 4.
6. While holding down check valve assembly, insert maintenance tool (furnished with each device) into the outlet so that it engages the piston. This serves to overcome spring preload and simplify assembly. Figure 1.
7. Insert adapter gasket and place adapter on top of check valve assembly centering stem rivet in inlet and lining up bolt holes by eye.. Figure J.
8. Insert and tighten long jacking bolts furnished and insert and tighten other bolts. Figure J. Press thumb through inlet against check valve assembly and remove maintenance tool.
9. Replace the No. 900 head in the line; tighten union nuts.

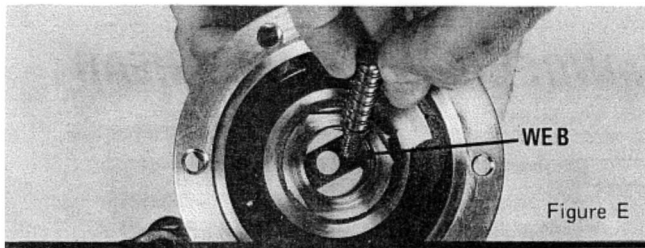


Figure E

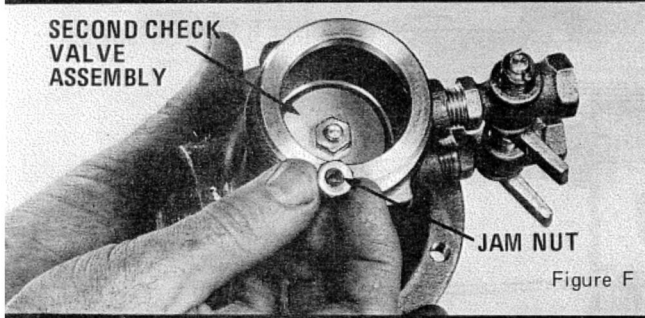


Figure F

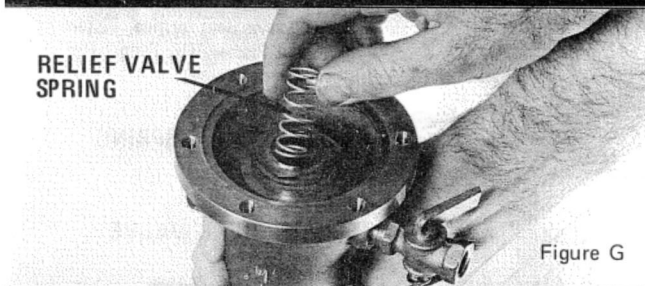


Figure G



Figure H

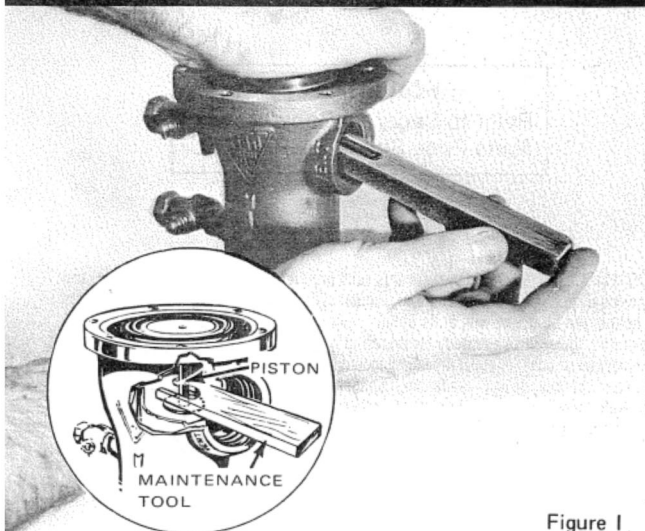


Figure I

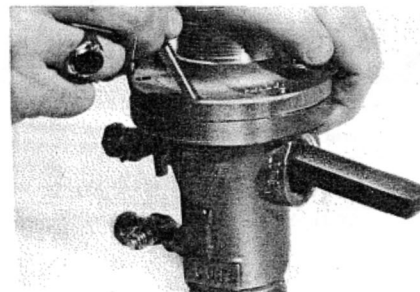
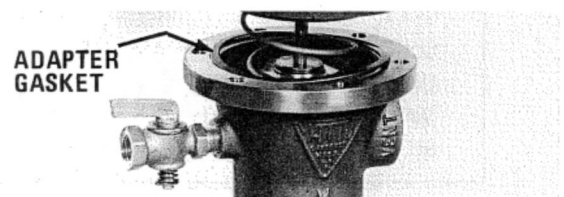
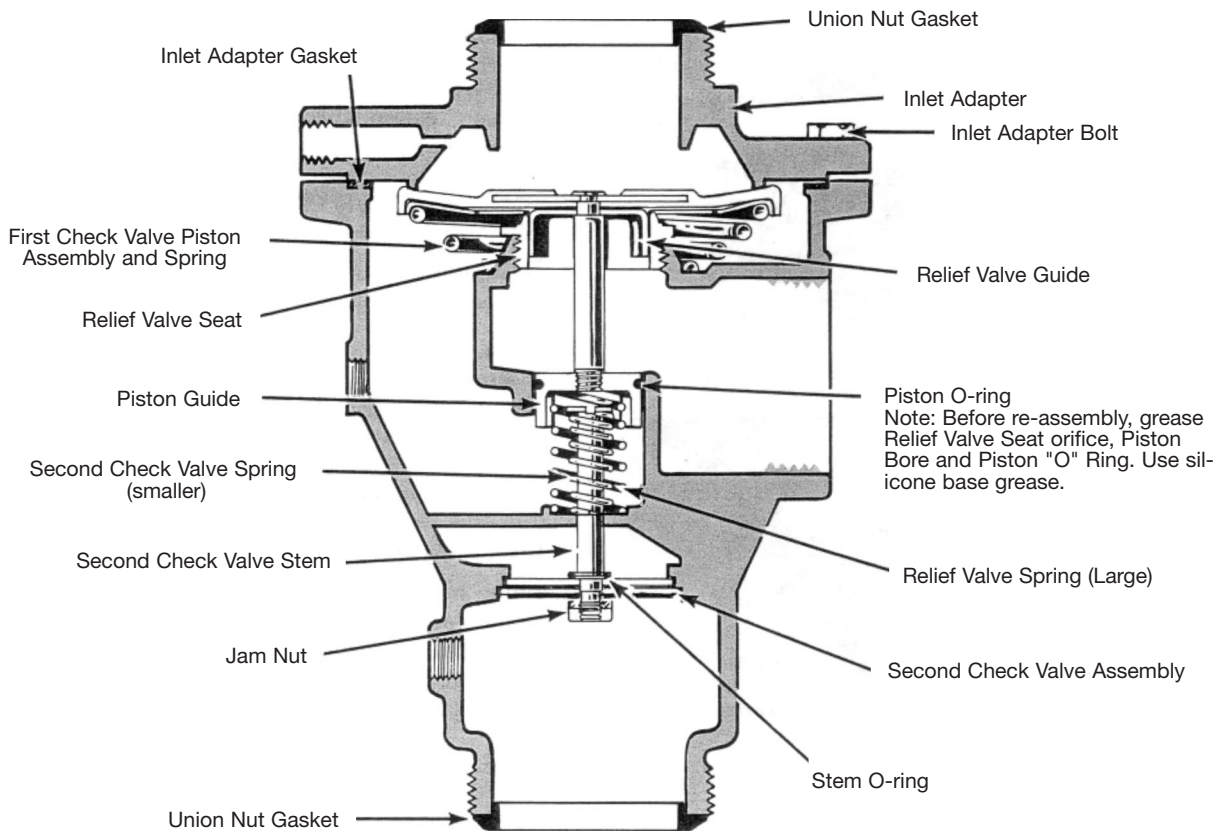


Figure J

Series 900

Replacement Parts and Exchange Replacement Head



Service Parts Kit

Consists of:

Inlet Adapter Gasket
First Check Valve Piston Assembly
Spring and O-ring
Relief Valve Spring
Second Check Valve Spring
Stem O-ring
Second Check Valve Assembly
Union Nut Gaskets
Maintenance Tool
Silicone Grease

Exchange Replacement Head

Consists of:

Complete Unit Pictured Above.

For Prices:

Refer to Separate Replacement Parts Price Sheet, PL-RP-BD

CALIFORNIA PROPOSITION 65 WARNING

WARNING: This product contains chemicals known to the State of California to cause cancer and birth defects or other reproductive harm. (California law requires this warning to be given to customers in the State of California.)

For more information: www.watts.com/prop65

Limited Warranty: Watts Regulator Co. (the "Company") warrants each product to be free from defects in material and workmanship under normal usage for a period of one year from the date of original shipment. In the event of such defects within the warranty period, the Company will, at its option, replace or recondition the product without charge.

THE WARRANTY SET FORTH HEREIN IS GIVEN EXPRESSLY AND IS THE ONLY WARRANTY GIVEN BY THE COMPANY WITH RESPECT TO THE PRODUCT. THE COMPANY MAKES NO OTHER WARRANTIES, EXPRESS OR IMPLIED. THE COMPANY HEREBY SPECIFICALLY DISCLAIMS ALL OTHER WARRANTIES, EXPRESS OR IMPLIED, INCLUDING BUT NOT LIMITED TO THE IMPLIED WARRANTIES OF MERCHANTABILITY AND FITNESS FOR A PARTICULAR PURPOSE.

The remedy described in the first paragraph of this warranty shall constitute the sole and exclusive remedy for breach of warranty, and the Company shall not be responsible for any incidental, special or consequential damages, including without limitation, lost profits or the cost of repairing or replacing other property which is damaged if this product does not work properly, other costs resulting from labor charges, delays, vandalism, negligence, fouling caused by foreign material, damage from adverse water conditions, chemical, or any other circumstances over which the Company has no control. This warranty shall be invalidated by any abuse, misuse, misapplication, improper installation or improper maintenance or alteration of the product.

Some States do not allow limitations on how long an implied warranty lasts, and some States do not allow the exclusion or limitation of incidental or consequential damages. Therefore the above limitations may not apply to you. This Limited Warranty gives you specific legal rights, and you may have other rights that vary from State to State. You should consult applicable state laws to determine your rights. **SO FAR AS IS CONSISTENT WITH APPLICABLE STATE LAW, ANY IMPLIED WARRANTIES THAT MAY NOT BE DISCLAIMED, INCLUDING THE IMPLIED WARRANTIES OF MERCHANTABILITY AND FITNESS FOR A PARTICULAR PURPOSE, ARE LIMITED IN DURATION TO ONE YEAR FROM THE DATE OF ORIGINAL SHIPMENT.**

WATTS®

Water Safety & Flow Control Products

ISO 9001-2000
CERTIFIED

USA: 815 Chestnut St., No. Andover, MA 01845-6098; www.watts.com

Canada: 5435 North Service Rd., Burlington, ONT. L7L 5H7; www.wattscanada.ca