

Watco Manufacturing Co. Trip Lever Installation Instructions

See next panel for trip lever variations.

Step 1. If necessary, cut pipe to desired length to fit the tub.

Step 2. Assemble bath drain pipe and fittings.

For solvent-weld fittings (Schedule 40): Follow the instructions on the solvent cement container, using the appropriate solvent cement for the type of plastic being assembled. Arrow on tee must be pointing downward for installation. Do not allow solvent cement to enter tee cavity.

For slip joint fittings (brass or tubular plastic): Slide slip nut, then plastic washer or brass ferrule onto drain elbow. Insert elbow into tee and tighten slip nut by hand, then another 1/8 turn with wrench. Repeat for overflow elbow. Note: If brass ferrules are used with brass pipe, joints can be soldered.

Step 3. Secure drain elbow and drain flange gasket under the tub by screwing in the strainer body through the tub drain hole from inside the tub. **Caution: Avoid contact of plumber's putty with ABS plastic parts.**

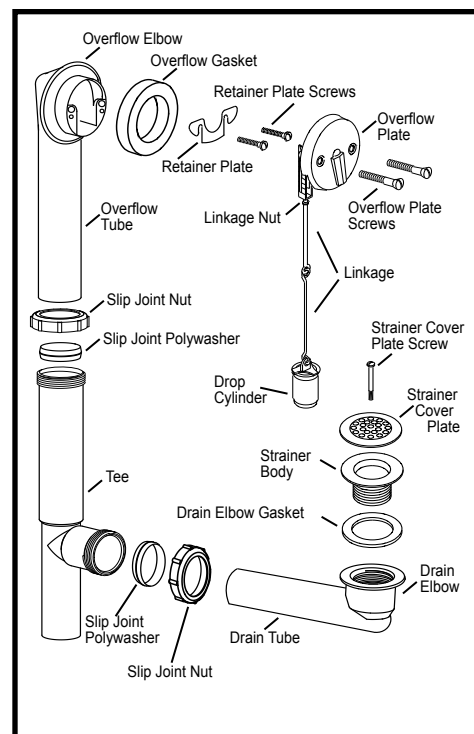
Step 4. Place overflow gasket on overflow elbow and place the overflow elbow against the back of the tub aligned with the overflow hole on the bathtub.

Step 5. From inside the tub, start the two retainer plate screws in the bottom two holes in the overflow elbow. Hang the retainer plate over the screw heads and tighten the screws until the retainer plate makes contact with the interior tub wall and overflow gasket is tight against the exterior tub wall.

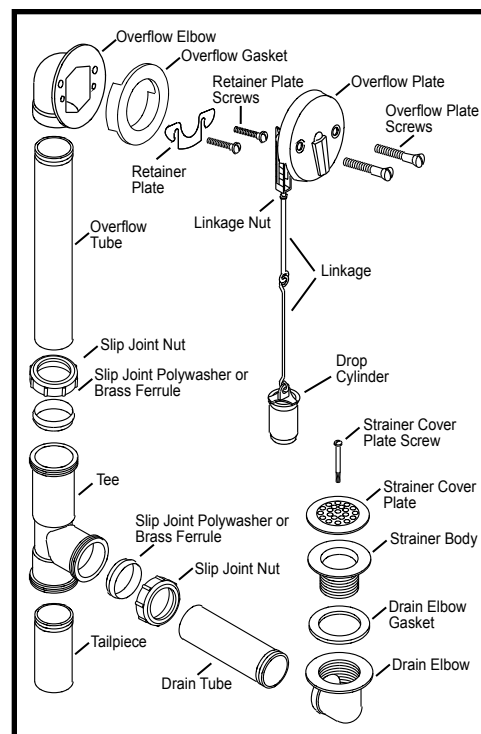
Step 6. Install overflow plate and drop cylinder assembly with overflow plate screws. (See next panel for variations; for QUICK ADJUST® see Drawing A) Make sure brass linkage is not kinked (see Drawing B).

Step 7. If necessary, remove overflow plate and drop cylinder assembly and readjust to ensure drain stops water when in the closed position. The drop cylinder should bottom out inside the tee slightly before the fully-closed position. A slow drip from inside the tee is normal and acceptable.

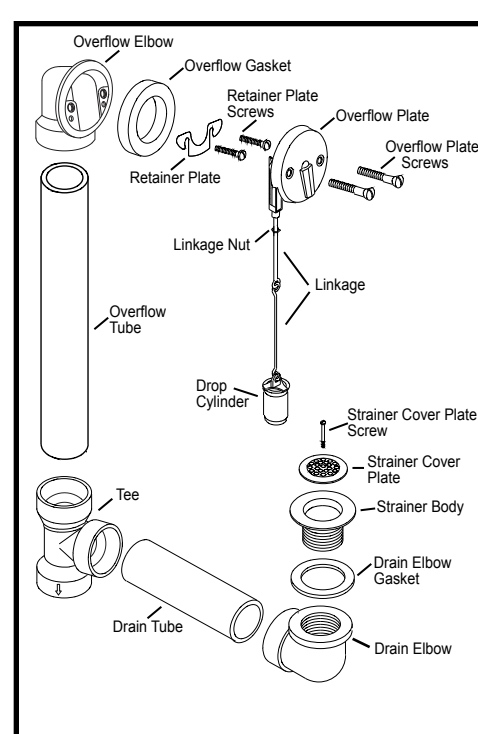
Model 500-TL / Model 550-TL



Models 501/502-TL / 551/552-TL



Model 600-TL / Model 650-TL

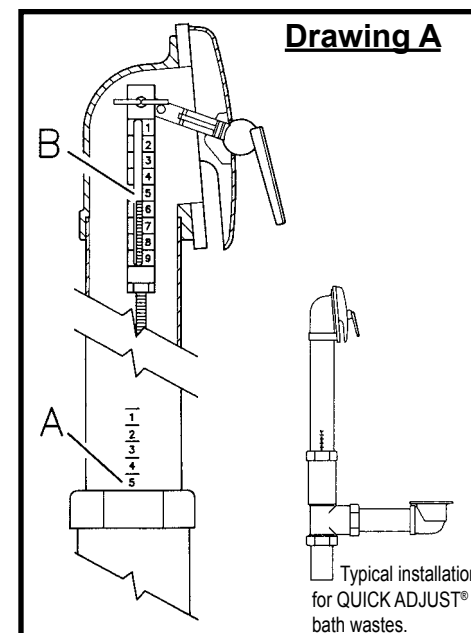


Watco Manufacturing Co. Trip Lever Installation Instructions for

QUICK ADJUST® • SLIP LOCK® • TURNSTYLE®

See previous panel for general trip lever instructions.

QUICK ADJUST® Trip Lever



A. Establish rough-in length at overflow elbow scale.

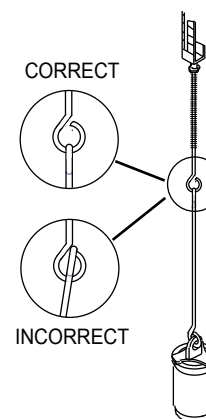
B. Adjust nut on threaded-rod on the linkage clevis until the number matches the number on the overflow elbow scale.

B. Tighten nut securely.

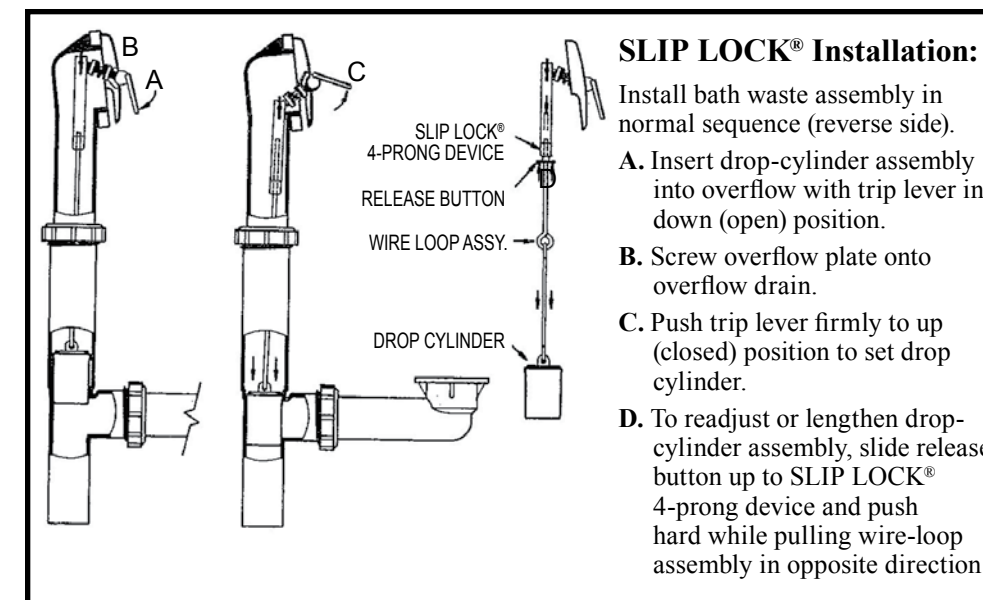
Drawing B

All trip-lever drains:

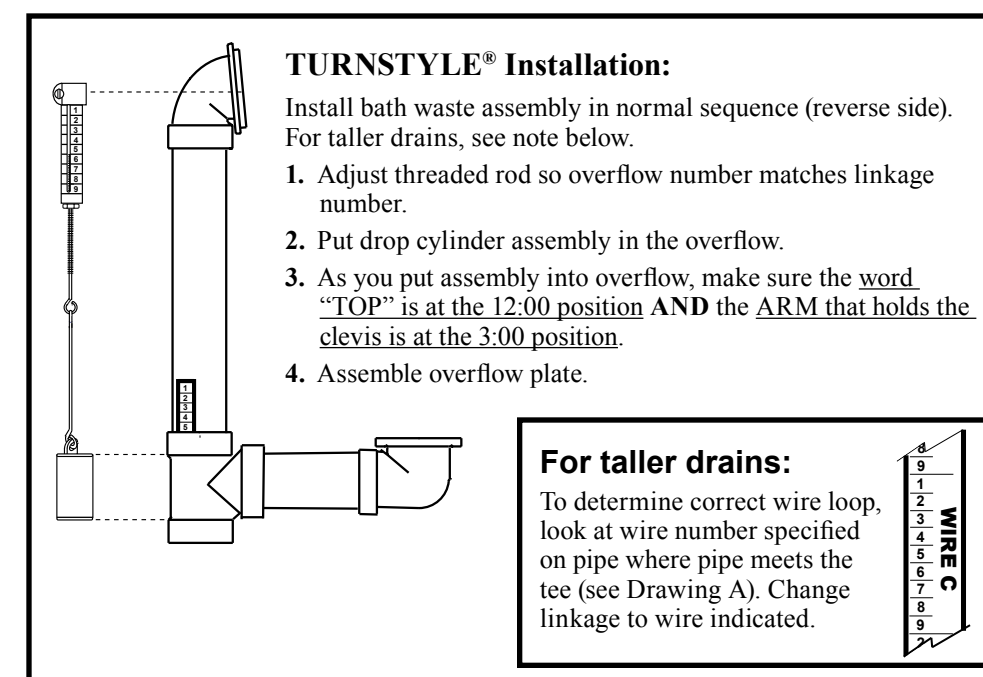
Make sure brass linkage is not kinked.



SLIP LOCK® Trip Lever



TURNSTYLE® Trip Lever



Always A Step Ahead

WATCO MANUFACTURING COMPANY
1220 South Powell Road • Independence, MO 64057-2724
Phone: 816-796-3900 • 800-821-8576
Fax: 816-796-0875 • 800-399-2826
www.watcomfg.com

IMPORTANT!

On Schedule 40 trip lever bath wastes, the arrow on tee must be pointing down. Do not allow solvent cement to enter tee cavity.

TL-TS Inst Rev. 5/12



Always A Step Ahead

WATCO MANUFACTURING COMPANY
1220 South Powell Road • Independence, MO 64057-2724
Phone: 816-796-3900 • 800-821-8576
Fax: 816-796-0875 • 800-399-2826
www.watcomfg.com

IMPORTANT!

On Schedule 40 trip lever bath wastes, the arrow on tee must be pointing down. Do not allow solvent cement to enter tee cavity.

WIRE-TL-TS-SL Rev. 5/12 • Printed in U.S.A.

For Assistance, call:
800-821-8576
 Monday-Friday: 8:00 a.m.-4:30 p.m. CT

Cutting – Sizing Instructions with Wire Templates

*Use this life-size template to determine which
supplied wire is the correct length.*



WATCO MANUFACTURING COMPANY
 1220 South Powell Road
 Independence, MO 64057-2724
 Phone: 816-796-3900 • 800-821-8576
 Fax: 816-796-0875 • 800-399-2826
 www.watcomfg.com
 © 2010 Watco Manufacturing Company

**Instructions for Sizing/Cutting the
Tubular Plastic 550 Series**
PRODUCTS WILL FIT ALL BATH TUBS FROM 13-1/4" TO 22-1/2" DEEP.

**Instructions for Sizing/Cutting the
Tubular Brass 551/552 Series**
PRODUCTS WILL FIT ALL BATH TUBS FROM 13-1/4" TO 22-1/2" DEEP.

After installation:
 The scale on the back of the overflow
tube indicates which wire to use.

**Match the correct wire to
the life-size drawings below.**

- Step 1:** Measure the depth from the center of the tub overflow hole to the tub drain.
- Step 2:** Cutting Overflow Tube: From your measurement in Step 1, look at the table below and cut off the amount specified for that length.
- Step 3:** Selecting Correct Double-Loop Wire: From your measurement in Step 1, look at the table below and select the wire specified for that length.

- Step 1:** Measure the depth from the center of the tub overflow hole to the tub drain.
- Step 2:** Cutting Overflow Tube: From your measurement in Step 1, look at the table below and cut off the amount specified for that length.
- Step 3:** Selecting Correct Double-Loop Wire: From your measurement in Step 1, look at the table below and select the wire specified for that length.

TABLE FOR 550 SERIES TUBULAR PLASTIC

YOUR MEASUREMENT	MARK/CUT OVERFLOW TUBE	USE WIRE
13 1/4" to 15 1/2"	Cut 4" off bottom of overflow tube	B
15 1/4" to 17 1/2"	Cut 4" off bottom of overflow tube	C
17 1/4" to 20"	No Cut.....	D
20" to 22 1/2"	No Cut.....	E

TABLE FOR 551/552 SERIES TUBULAR BRASS

YOUR MEASUREMENT	MARK/CUT OVERFLOW TUBE	USE WIRE
13 1/4" to 15 1/2"	Cut <u>exactly</u> 7" off bottom of overflow tube ...	B
15 1/4" to 17 1/2"	Cut <u>exactly</u> 5" off bottom of overflow tube ...	C
17 1/4" to 20"	Cut <u>exactly</u> 3" off bottom of overflow tube ...	D
20" to 22 1/2"	No Cut.....	E

