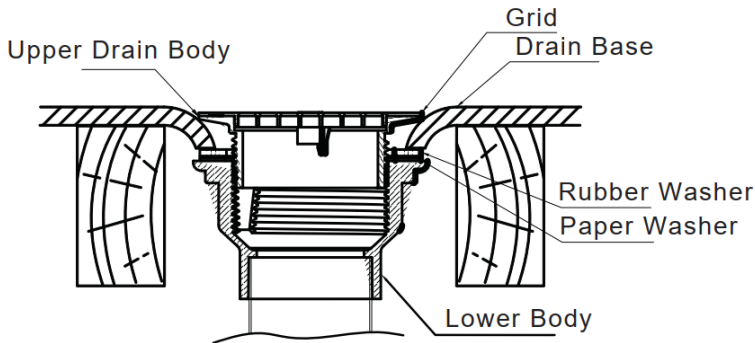
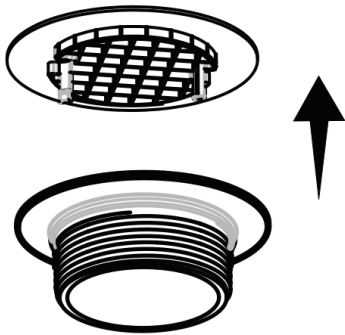


### CONTENTS

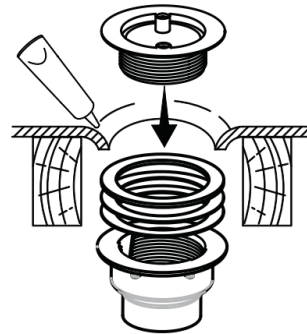


### Installation

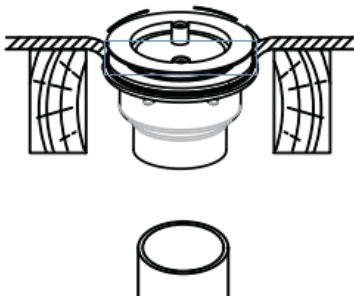
1. Remove strainer/grid from the drain upper body.



2. Fix the drain upper body to the drain base using putty. Place rubber washer and paper as pictured below, then thread the lower drain body to the upper drain body. Tighten the two parts firmly, be sure to not over tighten. Adjustable wrench is recommended. Remove excess putty if needed.



3. Cut the outlet tube into the suitable height, to match the shower base.



4. Glue the outer edge of the outlet tube, then fix the floor drain to the tube.

5. Install the grid on the floor drain.

