

RP 342-XL Press Tool



RIDGID.com/qr/rp342xl

Table of Contents

Recording Form For Machine Serial Number	1
Safety Symbols	2
General Power Tool Safety Warnings	
Work Area Safety	2
Electrical Safety	2
Personal Safety	3
Power Tool Use And Care.....	3
Battery Tool Use And Care	3
Service	4
Specific Safety Information	
Press Tool Safety.....	4
RIDGID® Contact Information	4
Description	
Tool Status Lights	6
Specifications	
Standard Equipment.....	6
Pre-Operation Inspection	7
Set-Up And Operating Instructions	7
Removing/Installing Attachment	7
Changing Tool Configuration (Extended (80 mm)/Standard (40 mm))	7
Preparing Connection.....	8
Pressing A Fitting With Typical Scissor Jaws	8
Pressing A Fitting With Typical Actuator And Press Ring Set.....	9
Inspecting The Pressed Connection.....	10
Storage	10
Maintenance Instructions	
Cleaning And Lubrication	10
Troubleshooting	11
Required Maintenance By RIDGID Authorized Independent Service Center.....	10
Service And Repair	10
Optional Equipment	11
Disposal	11
Electromagnetic Compatibility (EMC)	12
EC Declaration of Conformity	Inside Back cover
Lifetime Warranty	Back Cover

*Original Instructions - English

RP 342-XL

Press Tool



⚠ WARNING!

Read this Operator's Manual carefully before using this tool. Failure to understand and follow the contents of this manual may result in electrical shock, fire and/or serious personal injury.

RP 342-XL Press Tool


Record Serial Number below and retain product serial number which is located on nameplate.

Serial
No.


--	--


Safety Symbols

In this operator's manual and on the product, safety symbols and signal words are used to communicate important safety information. This section is provided to improve understanding of these signal words and symbols.

 This is the safety alert symbol. It is used to alert you to potential personal injury hazards. Obey all safety messages that follow this symbol to avoid possible injury or death.

 **DANGER** DANGER indicates a hazardous situation which, if not avoided, will result in death or serious injury.

 **WARNING** WARNING indicates a hazardous situation which, if not avoided, could result in death or serious injury.

 **CAUTION** CAUTION indicates a hazardous situation which, if not avoided, could result in minor or moderate injury.

 **NOTICE** NOTICE indicates information that relates to the protection of property.



This symbol means read the operator's manual carefully before using the equipment. The operator's manual contains important information on the safe and proper operation of the equipment.



This symbol means always wear safety glasses with side shields or goggles when handling or using this equipment to reduce the risk of eye injury.



This symbol indicates the risk of hands, fingers or other body parts being crushed.



This symbol indicates the risk of electrical shock.

General Power Tool Safety Warnings*

WARNING

Read all safety warnings and instructions. Failure to follow the warnings and instructions may result in electric shock, fire and/or serious injury.

SAVE ALL WARNINGS AND INSTRUCTIONS FOR FUTURE REFERENCE!

The term "power tool" in the warnings refers to your mains-operated (corded) power tool or battery-operated (cordless) power tool.

Work Area Safety

- **Keep work area clean and well lit.** Cluttered or dark areas invite accidents.
- **Do not operate power tools in explosive atmospheres, such as in the presence of flammable liquids, gases, or dust.** Power tools create sparks which may ignite the dust or fumes.
- **Keep children and by-standers away while operating a power tool.** Distractions can cause you to lose control.

Electrical Safety

- **Power tool plugs must match the outlet. Never modify the plug in any way. Do not use any adapter plugs with earthed (grounded) power tools.** Unmodified plugs and matching outlets will reduce risk of electric shock.
- **Avoid body contact with earthed or grounded surfaces such as pipes, radiators, ranges and refrigerators.** There is an increased risk of electrical shock if your body is earthed or grounded.
- **Do not expose power tools to rain or wet conditions.** Water entering a power tool will increase the risk of electrical shock.
- **Do not abuse the cord. Never use the cord for carrying, pulling or unplugging the power tool. Keep cord away from heat, oil, sharp edges or moving parts.** Damaged or entangled cords increase the risk of electric shock.
- **When operating a power tool outdoors, use an extension cord suitable for outdoor use.** Use of a cord suitable for outdoor use reduces the risk of electric shock.
- **If operating a power tool in a damp location is unavoidable, use a ground fault circuit interrupter (GFCI) protected supply.** Use of a GFCI reduces the risk of electric shock.

* The text used in the General Power Tool Safety Warnings section of this manual is verbatim, as required, from the applicable UL/CSA 62841-1 standard. This section contains general safety practices for many different types of power tools. Not every precaution applies to every tool, and some do not apply to this tool.

Personal Safety

- **Stay alert, watch what you are doing and use common sense when operating a power tool. Do not use a power tool while you are tired or under the influence of drugs, alcohol, or medication.** A moment of inattention while operating power tools may result in serious personal injury.
- **Use personal protective equipment. Always wear eye protection.** Protective equipment such as dust mask, non-skid safety shoes, hard hat, or hearing protection used for appropriate conditions will reduce personal injuries.
- **Prevent unintentional starting. Ensure the switch is in the OFF-position before connecting to power source and/or battery pack, picking up or carrying the tool.** Carrying power tools with your finger on the switch or energizing power tools that have the switch on invites accidents.
- **Remove any adjusting key or wrench before turning the power tool ON.** A wrench or a key left attached to a rotating part of the power tool may result in personal injury.
- **Do not overreach. Keep proper footing and balance at all times.** This enables better control of the power tool in unexpected situations.
- **Dress properly. Do not wear loose clothing or jewelry. Keep your hair, clothing, and gloves away from moving parts.** Loose clothes, jewelry, or long hair can be caught in moving parts.
- **If devices are provided for the connection of dust extraction and collection facilities, ensure these are connected and properly used.** Use of dust collection can reduce dust-related hazards.
- **Do not let familiarity gained from frequent use of tools allow you to become complacent and ignore tool safety principles.** A careless action can cause severe injury within a fraction of a second.

Power Tool Use And Care

- **Do not force power tool. Use the correct power tool for your application.** The correct power tool will do the job better and safer at the rate for which it was designed.
- **Do not use power tool if the switch does not turn it ON and OFF.** Any power tool that cannot be controlled with the switch is dangerous and must be repaired.
- **Disconnect the plug from the power source and/or remove the battery pack from the power tool before making any adjustments, changing accessories, or storing power tools.** Such preventive

safety measures reduce the risk of starting the power tool accidentally.

- **Store idle power tools out of the reach of children and do not allow persons unfamiliar with the power tool or these instructions to operate the power tool.** Power tools are dangerous in the hands of untrained users.
- **Maintain power tools and accessories. Check for misalignment or binding of moving parts, breakage of parts and any other condition that may affect the power tool's operation. If damaged, have the power tool repaired before use.** Many accidents are caused by poorly maintained power tools.
- **Keep cutting tools sharp and clean.** Properly maintained cutting tools with sharp cutting edges are less likely to bind and are easier to control.
- **Use the power tool, accessories and tool bits etc. in accordance with these instructions, taking into account the working conditions and the work to be performed.** Use of the power tool for operations different from those intended could result in a hazardous situation.
- **Keep handles and grasping surfaces dry, clean and free from oil and grease.** Slippery handles and grasping surfaces do not allow for safe handling and control of the tool in unexpected situations.

Battery Tool Use And Care

- **Recharge only with the charger specified by the manufacturer.** A charger that is suitable for one type of battery pack may create a risk of fire when used with another battery pack.
- **Use power tools only with specifically designated battery packs.** Use of any other battery packs may create a risk of injury and fire.
- **When battery pack is not in use, keep it away from other metal objects, like paper clips, coins, keys, nails, screws or other small metal objects that can make a connection from one terminal to another.** Shorting the battery terminals together may cause burns or a fire.
- **Under abusive conditions, liquid may be ejected from the battery; avoid contact. If contact accidentally occurs, flush with water. If liquid contacts eyes, additionally seek medical help.** Liquid ejected from the battery may cause irritation or burns.
- **Do not use a battery pack or tool that is damaged or modified.** Damaged or modified batteries may exhibit unpredictable behavior resulting in fire, explosion or risk of injury.

- **Do not expose a battery pack or tool to fire or excessive temperature.** Exposure to fire or temperature above 265 °F (130 °C) may cause explosion.
- **Follow all charging instructions and do not charge the battery pack or tool outside the temperature range specified in the instructions.** Charging improperly or at temperatures outside the specified range may damage the battery and increase the risk of fire.

Service

- **Have your power tool serviced by a qualified repair person using only identical replacement parts.** This will ensure that the safety of the power tool is maintained.
- **Never service damaged battery packs.** Service of battery packs should only be performed by the manufacturer or authorized service providers.

Specific Safety Information

WARNING

This section contains important safety information that is specific to this tool.

Read these precautions carefully before using the press tool to reduce the risk of electrical shock, fire, explosion or serious personal injury.

SAVE ALL WARNINGS AND INSTRUCTIONS FOR FUTURE REFERENCE!

A compartment in the tool carrying case is included to keep this manual with the machine for use by the operator.

Press Tool Safety

- **Keep your fingers and hands away from pressing attachments during press cycle.** Your fingers or hands can be crushed, fractured or amputated if they become caught between the attachment or between these components and any other object.
- **Do not use Standard Series attachments with tool in “Extended” configuration.** This leaves a gap between the attachment and sleeve, allowing access to the tool rollers during use. This increases the risk of crushing injuries.
- **Never attempt to repair damaged pressing attachments (jaws, press ring, actuator, etc.). Discard the entire damaged attachment.** An attachment that has been welded, ground, drilled or modified in any manner can shatter during pressing resulting in serious injury. Failure to replace the entire pressing attachment may result in component failure and serious injury.

- **Large forces are generated during use that can break or throw parts and cause injury.** Stand clear during use and wear appropriate protective equipment, including eye protection.
- **Only use RIDGID® Press Tools with appropriate RIDGID or RIDGID approved Pressing attachments (jaws, press rings, actuators, etc.).** Other uses or modifying the Press Tools for other applications may damage the press tool, damage the attachments and/or cause personal injury.
- **Use proper tool, attachment and fitting combinations.** Improper combinations can result in an incomplete joint, which increase the risk of leaks, equipment damage and injury.
- Before operating a RIDGID Press Tool, read and understand:
 - This operator’s manual
 - The attachment instructions
 - The battery/charger manual
 - The fitting manufacturer’s installation instructions
 - The instructions for any other equipment or material used with this toolFailure to follow all instructions and warnings may result in property damage and/or serious injury.

RIDGID Contact Information

If you have any question concerning this RIDGID® product:

- Contact your local RIDGID® distributor.
- Visit RIDGID.com to find your local RIDGID contact point.
- Contact Ridge Tool Technical Service Department at ProToolsTechService@Emerson.com, or in the U.S. and Canada call 844-789-8665.

Description

The RIDGID® RP 342-XL Press Tool, when used with appropriate attachments, is designed to mechanically press fittings onto tubing to create a water-tight and permanent seal, such as for plumbing and heating applications.

When the run switch on the press tool is depressed, an internal electric motor powers a hydraulic pump which sends fluid into the cylinder of the tool, moving the ram forward and applying force to the attachment, pressing the fitting.

The press tool has two configurations that are changed by sliding the tool sleeve. In Standard configuration, the tool can be used with RIDGID Standard Series Press Attachments. The Extended configuration allows use with com-

mercially available Extended Series Press attachments (See Specifications section) approved by RIDGID for use.

The press cycle for Standard Series attachments is approximately 4 seconds, and for Extended Series attachments it is approximately 9 seconds. Once the cycle begins to deform a fitting, it will automatically continue until completion, even if the run switch is released.

The Tool Status Lights indicate things such as out of specification temperature, low battery, or maintenance required. A work light turns on when the run switch is depressed to illuminate the work area.

The head can be rotated 270° for better access in tight spaces.

The tool comes with two (2) fabric loops that can be used with appropriate attachments such as shoulder straps or tie off lines.



Figure 1 – RIDGID RP 324-XL Press Tool and Standard Series Jaw

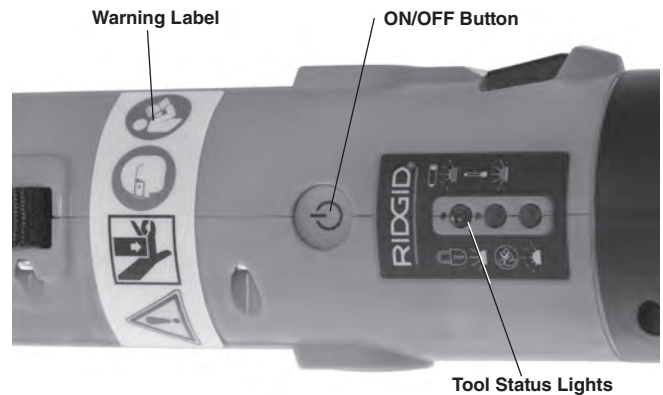


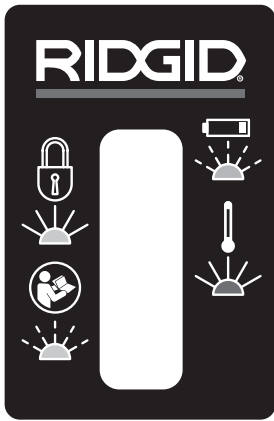
Figure 2 – ON/OFF switch and Tool Status Lights



Figure 3 – Machine Serial Number - The circled digits indicate the month (MM) and year (YY) of manufacture.

Control	Marking	Description
On/Off Button		Main tool power switch. Press to turn ON/OFF. ON: Press button until light turns ON. <i>See Figure 5 – Tool Status Lights.</i> OFF: Press button until light turns OFF. Tool will automatically turn OFF if left unused for ten (10) minutes.
Run Switch	—	Depress to press fittings. Release when tool locks on. Releasing the switch will not stop the tool once it has locked on. This assures consistent, repeatable press connection integrity.
Pressure Release Button		Allows tool to be released without completing press. If used, press connection is not complete and must be repeated.
Attachment Mounting Pin	—	Holds attachment to tool. <i>See Figure 6.</i>
Sleeve - Extended (80 mm) Series Configuration	Extended 80 mm	Sleeve slides between Extended and Standard configurations for use with appropriate attachments. <i>see Changing Tool Configuration (Extended (80 mm)/ Standard (40 mm)).</i>
Sleeve - Standard (40 mm) Series Configuration	Standard 40 mm	

Figure 4 – Controls Chart



Icon	Solid Light	Blinking Light	Meaning
	Green		Tool ON, ready to use.
		Green	Low voltage. Tool will not operate. Battery - Recharge, AC Adapter - Change power source, remove extension cords.
	Red		Tool out of Specification temperature range. Bring tool and battery to correct operating temperature range.
		Yellow	Indicates service interval approaching. Light turns on after 18,000 cycles to show service interval is approaching. Tool is usable, but tool will lock after service interval (20,000 cycles).
	Yellow		Tool locked. Service interval complete (20,000 cycles) and requires service.
			Tool has malfunctioned. Remove and reinsert battery. If still ON, have tool serviced.

Figure 5 – Tool Status Lights

Specifications

Attachments.....	RIDGID Standard Series	RIDGID Extended Series/RIDGID Approved
Stroke Length	Standard Configuration 1.57" (40 mm)	Extended Configuration 3.15" (80 mm)
Duty Cycle	3 Press /min.	3 Press /min
Ram Force	32 kN (7,200 lbs.)	
Motor		
Voltage	18V DC	
Amperage	27.2 Amp	
Power	490 Watts	
Power Supply.....	RIDGID RB-18XX Series 18 V Li-Ion Battery Pack	
Operating Temperature		
Range	15° F to 122° F (-10° C to 50° C)	
Weight (no battery/ attachment).....	10.8 lbs. (4.9 Kg)	
Height	10.5" (267 mm)	
Width	3.35" (85 mm)	
Length.....	20.9" (531 mm)	

Standard Equipment

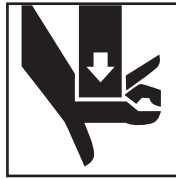
Refer to the RIDGID catalog for details on equipment supplied with specific tool catalog numbers.

NOTICE Selection of appropriate materials and joining methods is the responsibility of the system designer and/

or installer. Before any installation is attempted, careful evaluation of the specific service environment, including chemical environment and service temperature, should be completed. *Consult Press Fitting System manufacturer for selection information.*

Pre-Operation Inspection

⚠ WARNING



Daily before use, inspect your press tool and correct any problems to reduce the risk of serious injury from electric shock, crushing injuries, attachment failure and other causes, and prevent tool damage.

1. Remove battery from tool.
2. Clean any oil, grease or dirt from the equipment, especially the handles and controls. This aids inspection and helps to prevent the tool or controls from slipping from your grip.
3. Inspect the press tool for:
 - Proper assembly, maintenance and completeness.
 - Any broken, worn, missing, misaligned or binding parts. Confirm fabric loops are in good condition.
 - Confirm attachment mounting pin moves smoothly between the fully open and fully closed position and locks into each. Confirm that the run switch moves freely and does not bind or stick.
 - Presence and readability of warning label (*Figure 2*).
 - Any other condition which may prevent safe and normal operation.

Do not use the press tool until problems have been repaired.
4. Inspect and maintain tool attachments per their instructions. Remove attachment from the tool. Confirm that attachments are in good condition and clearly marked as to use.
5. Inspect and maintain any other equipment being used per its instructions to make sure it is functioning properly.

Set-Up And Operating Instructions

⚠ WARNING



Keep your fingers and hands away from the tool

attachment during the press cycle. Your fingers or hands can be crushed, fractured or amputated in the attachment or tool or between the attachment, work piece and other objects.

Large forces are generated during product use that can break or throw parts and cause injury. Stand clear during use and wear appropriate protective equipment, including eye protection.

Use proper tool, attachment and fitting combinations. Improper combinations can result in an incomplete connection, which increases the risk of leaks, equipment damage and injury.

Follow set up and operating instructions to reduce the risk of injury from crushing and other causes and to prevent tool damage.

1. Confirm appropriate work area (*See General Power Tool Safety Warnings*). Operate in a clear, level, stable, dry location. Do not use tool while standing in water.
2. Inspect the work to be done and determine the correct RIDGID tool and attachment for the application per their specifications. Using incorrect equipment for an application can cause injury, damage the tool and make incomplete connections.
3. Confirm all equipment has been inspected and set up as directed in their instructions.

Removing/Installing Attachment

1. Remove battery from tool.
2. Unlock and open the attachment mounting pin by slightly depressing the knob (1) and turning slightly counter-clockwise (2). The pin is spring loaded and will retract, control the pin movement. *See Figure 6A*.
3. If needed, Change Tool Configuration for the attachment (Extended/Standard).
4. Insert appropriate attachment.
5. Fully close attachment mounting pin. Attachment mounting pin must be fully closed to prevent tool damage during use.
6. Inspect the gap between attachment and sleeve (*See Figure 6B*). Do not use tool if gap is greater than 0.39" (10 mm).

⚠ WARNING Excessive gap between the attachment and sleeve can allow access to the tool rollers during use. This increases the risk of crushing injuries. Do not use Standard attachments with tool in Extended configuration.

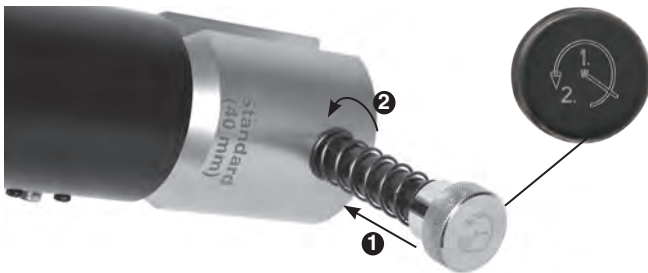


Figure 6A – Fully Open Attachment Mounting Pin



Figure 6B – Fully Closed Attachment Mounting Pin

Changing Tool Configuration (Extended (80 mm)/Standard (40 mm))

The RIDGID RP 342-XL Press Tool can be configured for use with RIDGID Standard Series or Extended Series attachments (See *Specifications for more information*). To convert between configurations:

1. Remove any attachment from tool
2. With dry hands, insert a fully charged battery into tool. Depress ON/OFF button to turn tool ON.
3. From Standard to Extended Configuration – With hands clear of the rollers, depress the run switch to advance the rollers approximately 1/8" (3 mm). Release run switch. Press the sleeve button ① and slide sleeve ② to the Extended (80 mm) marking. Confirm that the sleeve is secured in place (See *Figure 7*). Press the Pressure Release Button to retract the rollers.
4. From Extended to Standard Configuration – With hands clear of the rollers, depress the run switch to advance the rollers forward past the Extended (80 mm) line on cylinder head (see *Figure 7*). Release run switch. Press the sleeve button ① and slide sleeve ② to the Standard (40 mm) marking. Confirm that the sleeve is secured in place. Press the Pressure Release Button to retract the rollers.

In the Standard configuration, the sleeve will prevent the rollers from retracting further than necessary. This

will reduce the tool cycle time in the Standard configuration. Do not use Standard attachments with tool in Extended configuration. This leaves a gap between the attachment and sleeve, allowing access to the tool rollers during use. This increases the risk of crushing injuries.

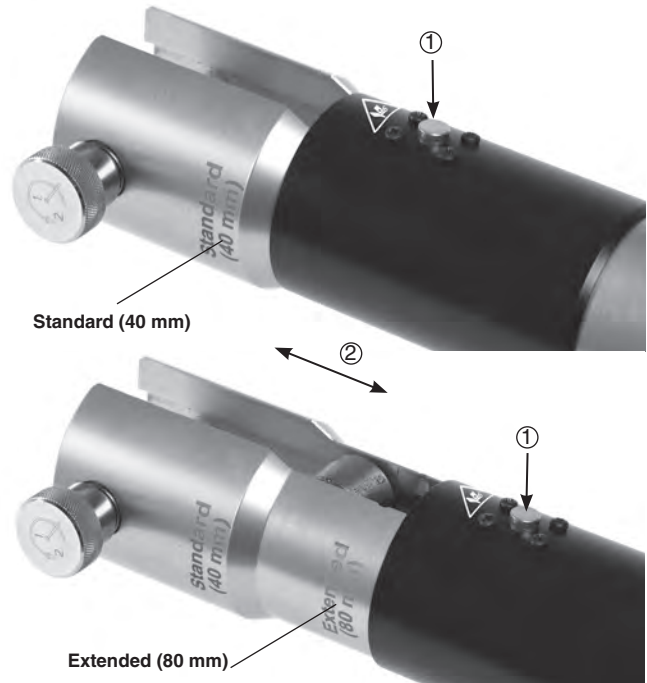


Figure 7 – Changing Tool Configuration

Preparing Connection

NOTICE These instructions are generalized practices for several types of press tool attachments. Always follow the specific instructions for the press tool attachment being used and the fitting manufacturers' specific installation instructions to reduce the risk of improper press connections and extensive property damage.

1. Prepare the connection according to the fitting manufacturer's instructions.
2. With dry hands, insert a fully charged battery into tool. Depress ON/OFF button one time to turn tool ON. The green light will turn on. See *Figure 5 – Tool Status Lights* for any other light. Tool will automatically turn OFF if left unused for ten (10) minutes.

Pressing A Fitting With Typical Scissor Jaws

1. Properly hold tool with both hands (*Figure 8*).
2. Squeeze jaw arms to open jaws.



Figure 8 – Holding Tool

3. Place open jaws around fitting (*Figure 9*). Properly align jaw press profile with contour of the fitting as specified in Fitting Manufacturer's Installation Instructions. Release jaw arms to close jaws around fitting.

Do not hang jaw set from fitting. Tool could unexpectedly drop and cause serious injury or death.



Figure 9 – Placing Jaws Around Fitting



Figure 10 – Jaws Appropriately Placed

4. Confirm jaw is appropriately placed and square to fitting (*Figure 10*). Keep fingers and hands away from

the jaws to avoid crushing injuries in jaws or between jaws and surroundings.

Depress the run switch (*Figure 1*). Once the tool cycle begins and the rollers contact the jaw arms, the tool will lock-on and automatically complete the cycle. Releasing the switch will not stop the tool once it has locked on. This assures consistent, repeatable press connection integrity.

If tool must be removed before a connection is completed, depress the pressure release button (*Figure 1*). Any time release button is depressed, press is NOT complete and the connection must be pressed again to ensure completion. If the tool malfunctions during operation, use this procedure. In case of emergency, release run switch and depress pressure release button.

5. Release the run switch.
6. Squeeze jaw arms to open jaws.
7. Remove jaw from fitting. Avoid sharp edges that may have formed on fitting during pressing operation.
8. When operation is complete, depress ON/OFF button one time to turn tool OFF. Remove battery from tool.

Pressing A Fitting With Typical Actuator And Press Ring Set

1. Open ring and place around fitting. Properly align ring press profile with contour of the fitting as specified in *Fitting Manufacturer's Installation Instructions*. Release ring to close around fitting.
2. Confirm appropriate actuator is installed in tool. Squeeze actuator arms to open the actuator tips. Align actuator tips with ring. Release actuator arms and fully engage actuator into ring (*Figure 12*). Misaligning actuator to ring can damage the ring or actuator during pressing. Do not hang tool and actuator from press ring. Tool could unexpectedly drop and cause serious injury or death.
3. Confirm ring is appropriately placed and square to fitting. Keep fingers and hands away from the actuator and ring to avoid crushing injuries in attachment or between attachment and surroundings.

Depress the run switch. Once the tool cycle begins and the rollers contact the jaw arms, the tool will lock-on and automatically complete the cycle. Releasing the switch will not stop the tool once it has locked on. This assures consistent, repeatable press connection integrity.

4. If tool must be removed before a connection is completed, depress the pressure release button (*Figure*

1). Any time release button is depressed, press is NOT complete and the connection must be pressed again to ensure completion. If the tool malfunctions during operation, use this procedure. In case of emergency, release run switch and depress release button.



Figure 11 – Installing Press Ring Onto Fitting



Figure 12 – Attaching Actuator to Press Ring

5. Release the run switch.
6. Squeeze actuator arms to open actuator. Remove actuator from fitting.
7. Remove ring from fitting. Avoid sharp edges that may have formed on fitting during pressing operation.
8. When operation is complete, depress ON/OFF button one time to turn tool OFF. Remove battery from tool.

Inspecting The Pressed Connection

1. Inspect the pressed fitting for:
 - Full insertion of tube into fitting.
 - Excessive misalignment of the tubes. A slight amount of misalignment at a pressed connection is considered normal.
 - Incorrect attachment alignment with the fitting contour. Distorted or deformed fitting.

- Any other issues per the fitting manufacturer. This could include the removal of a control ring or decal (used to indicate the connection has not yet been pressed).

If any issues are found, remove fitting and install a new connection.

2. Test connection in accordance with fitting manufacturer instructions, normal practice and applicable codes.

Storage

Remove battery from tool. Store press tool and battery in case. Avoid storing in extreme heat or cold. The tool will not turn ON if the tool is outside the specification range. This will be indicated by the tool status lights. (See Figure 5.)

⚠ WARNING Store tool in a dry, secured, locked area that is out of reach of children and people unfamiliar with the Press Tools. The tool is dangerous in the hands of untrained users.

Maintenance Instructions

⚠ WARNING
Make sure battery is removed from tool before performing maintenance or making any adjustment.

Cleaning And Lubrication

1. Wipe the tool clean daily with a clean dry cloth.
2. Inspect the attachment mounting pin and lubricate the pin with silicone lubricant as needed.
3. Check return springs in attachments with each use. Attachments should open and close freely with only moderate finger effort required.

Required Maintenance By RIDGID Authorized Independent Service Center

The RP 342-XL Press Tool must be serviced at set intervals by a RIDGID Authorized Independent Service Center to ensure proper operation. This will be indicated by a tool status light (See Figure 5).

Service And Repair

⚠ WARNING
Improper service or repair can make machine unsafe to operate.

Service and repair on the RP 342-XL Press Tool must be performed by a RIDGID Authorized Independent Press Tool Service Center.

Troubleshooting

SYMPTOM	POSSIBLE REASONS	SOLUTION
Tool will not turn ON when ON/OFF button is pressed.	Battery is completely discharged or battery has failed. Battery not properly inserted into handle of tool.	Insert fully charged battery/recharge battery. Check to assure battery is fully inserted.
Attachment is locked onto fitting.	Press was not successfully completed.	Push pressure release button to remove jaws from fitting. Inspect and repress fitting.
The pressed connections produced are not complete.	Used wrong attachment for the tube size or material. The tool was not square to the tube. Attachment press profile was not aligned with the fitting contour. Tool is in need of repair.	Install the correct attachment. Redo the joint with new fitting and new tube. Make sure that the tool is square to the tube. Redo the joint with new tube and new fitting. Make sure the press profile is aligned with the fitting contour. See <i>Contact Information</i> for nearest RIDGID Authorized Independent Service center.
Oil leaks from tool.	Seal or mechanical problems.	
Motor runs but tool will not complete a cycle.	Oil level low.	See <i>Contact Information</i> for nearest RIDGID Authorized Independent Service center.
Tool stops during operation.	Oil level low.	

See Figure 5 – Tool Status Lights

For information on your nearest RIDGID Authorized Independent Service Center or any service or repair questions see *Contact Information* section in this manual.

Optional Equipment

WARNING

To reduce the risk of serious injury, only use equipment specifically designed and recommended for use with the RIDGID RP 342-XL Press Tool, such as listed below.

Battery and Adapter Packs

Catalog No.	Description
56513	RB-1825 18V 2.5 Ah Lithium Ion Battery
56518	RB-1850 18V 5.0 Ah Lithium Ion Battery
44468	120 AC Power Adapter – North America

Chargers and Cords

Catalog No.		Region	Plug Type
64383	RBC-30 Charger	North America	A
64173	RBC-30 Charger Cord	North America	A

Ridge Tool Company provides Standard series press attachments designed specifically for use with RIDGID Standard Press Tools. Only use attachments that are specifically designed to press the fitting system you are installing.

For a complete listing of RIDGID equipment available for these tools, see the *Ridge Tool Catalog online* at RIDGID.com or see *Contact Information*.

Disposal

Parts of these tools contain valuable materials and can be recycled. There are companies that specialize in recycling that may be found locally. Dispose of the components in compliance with all applicable regulations. Contact your local waste management authority for more information.



For EC Countries: Do not dispose of electrical equipment with household waste!

According to the European Guideline 2012/19/EU for Waste Electrical and Electronic Equipment and its implementation into national legislation, electrical equipment that is no longer usable must be collected separately and disposed of in an environmentally correct manner.

Electromagnetic Compatibility (EMC)

The term electromagnetic compatibility is taken to mean the capability of the product to function smoothly in an environment where electromagnetic radiation and electrostatic discharges are present and without causing electromagnetic interference to other equipment.

NOTICE These tools conform to all applicable EMC standards. However, the possibility of them causing interference in other devices cannot be precluded. All EMC related standards that have been tested are called out in the tool's technical document.

RP 342-XL

Sertisseuse



AVERTISSEMENT !

Familiarisez-vous avec le manuel présent avant d'utiliser l'appareil. Tout écart aux consignes données dans celui-ci augmenterait les risques de choc électrique, d'incendie et/ou de grave blessure corporelle.

Sertisseuse RP 342-XL

Enregistrez ci-dessous pour future référence le numéro de série de l'appareil indiqué sur sa plaque signalétique.

N° de
série

--	--

Table des matières

Fiche d'enregistrement du numéro de série de l'appareil	13
Symboles et symboles de sécurité	15
Consignes générales de sécurité	
Consignes générales de sécurité	15
Sécurité électrique	15
Sécurité individuelle	16
Utilisation et entretien des appareils électriques	16
Utilisation et entretien des appareils à piles	17
Service après-vente	17
Consignes de sécurité spécifiques	
Sécurité de la sertisseuse	17
Coordonnées RIDGID®	18
Description	
Témoins d'état de fonctionnement.....	19
Caractéristiques techniques	
Equipements de série	20
Inspection préalable	20
Préparation et utilisation	21
Retrait et montage des têtes	21
Changement de la configuration de l'appareil : Extended (80 mm) / Standard (40 mm).....	22
Préparation des raccords	22
Sertissage des raccords à l'aide de mâchoires à cisaille typiques	23
Sertissage des raccords à l'aide d'actionneurs et jeux de bagues de sertissage typiques	23
Examen des raccords sertis	24
Stockage	24
Entretien de l'appareil	
Nettoyage et lubrification	25
Dépannage.....	25
Révisions obligatoires assurées par un réparateur RIDGID agréé	25
Autres révisions et réparations	25
Accessoires	26
Recyclage de l'appareil	26
Compatibilité électromagnétique (EMC)	26
Déclaration de conformité CE	Page de garde (recto)
Garantie à vie	Page de garde

*Original Instructions - English

Symboles de sécurité

Les symboles et mots clés utilisés à la fois dans ce mode d'emploi et sur l'appareil lui-même servent à signaler d'importants risques de sécurité. Ce qui suit permettra de mieux comprendre la signification de ces mots clés et symboles.



Ce symbole sert à vous avertir de risques d'accident potentiels. Le respect des consignes qui le suivent vous permettra d'éviter les risques d'accident grave ou potentiellement mortel.



Le terme **DANGER** signifie une situation dangereuse qui, faute d'être évitée, provoquerait la mort ou de graves blessures corporelles.



Le terme **AVERTISSEMENT** signifie une situation dangereuse potentielle qui, faute d'être évitée, serait susceptible d'entraîner la mort ou de graves blessures corporelles.



Le terme **ATTENTION** signifie une situation dangereuse potentielle qui, faute d'être évitée, serait susceptible d'entraîner des blessures corporelles légères ou modérées.



Le terme **AVIS IMPORTANT** indique des informations concernant la protection des biens.



Ce symbole indique la nécessité de bien se familiariser avec la notice d'emploi avant d'utiliser ce matériel. La notice d'emploi renferme d'importantes consignes de sécurité et d'utilisation du matériel.



Ce symbole indique la nécessité de porter des lunettes de sécurité à oeilères ou des lunettes fermées lors de la manipulation ou utilisation de cet appareil afin de limiter les risques de lésion oculaire.



Ce symbole signale un risque d'écrasement des doigts, des mains ou autres membres.



Ce symbole signale un risque de choc électrique.

Consignes générales de sécurité applicables aux appareils électriques*

⚠ AVERTISSEMENT

Familiarisez-vous avec l'ensemble des illustrations, consignes de sécurité et consignes d'utilisation ci-présentes afin d'éviter les risques de choc électrique, d'incendie et/ou de grave blessure corporelle.

Conservez l'ensemble de ces consignes et instructions pour future référence !

Le terme « appareil électrique » utilisée dans les consignes de sécurité s'applique à la fois aux appareils électriques sur secteur et ceux à piles.

Sécurité des lieux

- **Assurez-vous de la propreté et du bon éclairage des lieux.** Les chantiers encombrés ou mal éclairés sont une invitation aux accidents.
- **N'utilisez pas d'appareils électriques en présence de substances volatiles telles que liquides, gaz ou poussières combustibles.** Ce type de matériel risque de produire des étincelles susceptibles d'enflammer les poussières et émanations combustibles.

- **Eloignez les enfants et les curieux durant l'utilisation des appareils électriques.** Les distractions risquent de vous faire perdre le contrôle de l'appareil.

Sécurité électrique

- **La fiche de l'appareil doit correspondre à la prise de courant utilisée. Ne jamais tenter de modifier la fiche d'une manière quelconque. Ne jamais utiliser d'adaptateur de prise sur les appareils équipés d'une fiche avec terre.** Cela limitera les risques de choc électrique.
- **Evitez tout contact physique avec des objets reliés à la terre tels que canalisations, radiateurs, cuisinières et réfrigérateurs.** Tout contact avec la terre augmenterait les risques de choc électrique.
- **N'exposez pas les appareils électriques à la pluie ou aux intempéries.** Toute pénétration d'eau à l'intérieur de l'appareil augmenterait les risques de choc électrique.
- **Ne maltraitez pas le cordon d'alimentation de l'appareil. Ne jamais utiliser le cordon pour porter, tirer ou débrancher l'appareil. Eloignez le cordon de la chaleur, des matières grasses, des objets tranchants et des mécanismes.** Les cordons d'ali-

* Le texte utilisé dans les consignes de sécurité générales ci-présentes est tiré verbatim de la section de la norme UL/CSA 62841-1 applicable, comme l'impose la réglementation. Lesdites consignes de sécurité générales sont sensé couvrir de nombreux types d'appareils électriques. Certaines d'entre-elles ne sont pas applicables à l'ensemble de ces appareils, et certaines ne sont pas applicables à celui-ci.

mentation endommagés ou entortillés augmentent les risques de choc électrique.

- **Lors de l'utilisation de l'appareil à l'extérieur, prévoyez une rallonge électrique homologuée pour ce type d'emploi.** Cela limitera les risques de choc électrique.
- **S'il est inévitable d'utiliser l'appareil dans des endroits humides, prévoyez une source d'alimentation protégée par disjoncteur différentiel.** La présence d'un disjoncteur différentiel limitera les risques de choc électrique.

Sécurité individuelle

- **Soyez attentif, restez concentré et faites preuve de bon sens lors de l'utilisation de ce type d'appareil. Ne jamais utiliser ce matériel lorsque vous êtes fatigué ou sous l'influence de drogues, de l'alcool ou de médicaments.** Lors de l'utilisation d'un appareil électrique, un instant d'inattention risque d'entraîner de graves lésions corporelles.
- **Prévoyez les équipements de protection individuelle appropriés. Portez systématiquement une protection oculaire.** Selon le cas, le port d'un masque à poussière, de chaussures de sécurité antidérapantes, du casque ou d'une protection auriculaire peut aider à limiter les risques de lésion corporelle.
- **Évitez les démarrages accidentels. Assurez-vous que son interrupteur est éteint avant de brancher l'appareil, y introduire un bloc-piles, le soulever ou le transporter.** Porter un appareil électrique avec son doigt sur l'interrupteur, voire le brancher lorsque son interrupteur est en position « Marche » est une invitation aux accidents.
- **Retirez toute clé ou dispositif de réglage éventuel avant de mettre l'appareil en marche.** Une clé ou tout autre dispositif de réglage engagé sur un élément mécanique pourrait provoquer un accident.
- **Ne vous mettez pas en porte-à-faux. Maintenez une bonne assiette et un bon équilibre à tout moment.** Cela assurera un meilleur contrôle de l'appareil en cas d'imprévu.
- **Habillez-vous de manière appropriée. Ne portez ni accessoires, ni bijoux. Eloignez vos cheveux, vos vêtements et vos gants des mécanismes lorsque l'appareil fonctionne.** Les foulards, les bijoux et les cheveux longs risquent d'être entraînés par les mécanismes en rotation.
- **Vérifiez le bon raccordement et fonctionnement des aspirateurs de poussière éventuels.** De tels Sertisseuses RP 342-XL aspirateurs peuvent limiter les risques associés à la dispersion des poussières.

- **Ne permettez pas la familiarité issue d'une utilisation fréquente de l'appareil vous rendre complaisant au point d'ignorer les principes de sécurité applicables.** La moindre inattention peut engendrer de graves blessures corporelles dans une fraction de seconde.

Utilisation et entretien des appareils électriques

- **Ne forcez pas l'appareil. Prévoyez l'appareil le mieux adapté aux travaux envisagés.** Un appareil adapté produira de meilleurs résultats et un meilleur niveau de sécurité lorsqu'il fonctionne au régime prévu.
- **N'utilisez pas d'appareil dont l'interrupteur marche/ arrêt ne fonctionne pas correctement.** Tout appareil qui ne peut pas être contrôlé par son interrupteur est considéré dangereux et doit être réparé.
- **Débranchez l'appareil ou retirez son bloc-piles avant tout réglage, remplacement d'outils ou stockage.** De telles mesures préventives aideront à limiter les risques de démarrage accidentel de l'appareil.
- **Rangez les appareils électriques non utilisés hors de la portée des enfants. L'utilisation de cet appareil doit être exclusivement réservée à du personnel ayant reçu une formation adéquate.** Tout appareil électrique peut devenir dangereux entre les mains d'un novice.
- **Assurez l'entretien régulier des appareils électriques et de leurs accessoires. Assurez-vous de l'absence d'éléments grippés ou endommagés, voire toute autre anomalie susceptible de nuire au bon fonctionnement et à la sécurité de l'appareil. Faites réparer tout appareil endommagé avant de le réutiliser.** De nombreux accidents sont le résultat d'appareils mal entretenus.
- **Assurez l'affûtage et la propreté des outils de coupe.** Des outils de coupe correctement entretenus et affûtés sont moins susceptibles de se gripper et sont plus faciles à contrôler.
- **Utilisez l'appareil, ses accessoires et ses outils selon les consignes ci-présentes, tout en tenant compte des conditions de travail existantes et de la nature des travaux envisagés.** Toute utilisation de l'appareil à des fins autres que celles prévues augmenterait les risques d'accident.
- **Nettoyez systématiquement les poignées et autres surfaces de prise-en-main de l'appareil.** Des poignées ou autres surfaces glissantes peuvent compromettre la sécurité d'utilisation de l'appareil en cas d'imprévu.

Utilisation et entretien des appareils à piles

- Rechargez les bloc-piles exclusivement avec le type de chargeur spécifié par le fabricant. L'utilisation d'un chargeur adapté à un autre type de bloc-piles augmenterait les risques d'incendie.
- Utilisez exclusivement le type de bloc-piles prévu pour l'appareil en question. L'utilisation de tout autre type de bloc-piles augmenterait les risques de blessure et d'incendie.
- Eloignez les bloc-piles non utilisés des autres objets métalliques tels que trombones, pièces de monnaie, clés, clous, vis ou autres petits objets métalliques qui risqueraient de faire contact entre les bornes du bloc-piles. Un tel court-circuit pourrait provoquer des brûlures ou un incendie.
- En cas d'abus, un bloc-piles risque de déverser son électrolyte liquide. Evitez tout contact avec celui-ci. En cas de contact accidentel avec ce liquide, rincez à grande eau. En cas de contact oculaire, faites appel à un médecin. L'électrolyte liquide peut provoquer des irritations et des brûlures.
- N'utilisez pas un bloc-piles ou appareil endommagé ou modifié. Les bloc-piles endommagés peuvent réagir de manière imprévisible et provoquer des incendies, des explosions ou des blessures corporelles.
- N'exposez ni les bloc-piles, ni l'appareil aux flammes ou à des températures excessives. Leur exposition aux flammes ou à des températures de plus de 265 °F (130 °C) pourrait occasionner une explosion.
- Respectez l'ensemble des consignes de rechargement et ne chargez ni le bloc-piles ni l'appareil en dehors des limites de température précisées ci-après. Le rechargement inapproprié ou à des températures hors limites pourrait endommager le bloc-piles et augmenterait les risques d'incendie.

Service après-vente

- Confiez la révision de l'appareil à un réparateur qualifié pouvant justifier l'emploi de pièces de rechange d'origine. Cela assurera la sécurité opérationnelle de l'appareil.
- Ne jamais tenter de réparer un bloc-piles endommagé. La révision des bloc-piles doit être confiée exclusivement au fabricant ou à un réparateur agréé.

Consignes de sécurité spécifiques

⚠ AVERTISSEMENT

La section suivante contient d'importantes consignes de sécurité visant ce type d'appareil en particulier.

Lisez-les soigneusement avant d'utiliser la sertisseuse afin de limiter les risques de choc électrique et de graves blessures corporelles.

CONSERVEZ CES CONSIGNES POUR FUTURE REFERENCE !

La mallette de l'appareil comprend un logement prévu pour garder ce manuel à la portée de tout utilisateur éventuel.

Sécurité de la sertisseuse

- Eloignez vos doigts et vos mains des têtes de sertissage durant le cycle de fonctionnement de l'appareil. Les doigts et les mains risquent d'être écrasés, fracturés ou amputés s'ils se prennent dans la tête ou entre la tête et tout autre objet.
- Ne pas utiliser d'outils de sertissage de la série Standard lorsque l'appareil est en configuration « Extended ». Cela laisse un vide entre l'outil et la chemise, permettant d'accéder aux rouleaux de l'outil en cours d'utilisation.
- L'importance des forces générées par l'appareil est suffisante pour briser et projeter des objets de manière dangereuse. Tenez-vous à l'écart en cours d'opération et prévoyez les équipements de sécurité individuelle appropriés, protection oculaire comprise.
- N'utilisez les sertisseuses RIDGID® qu'avec des éléments de tête (mâchoires, bagues de sertissage, actionneurs, etc.) appropriés, soit fabriqués ou approuvés par RIDGID. L'utilisation de l'appareil à d'autres fins ou sa modification en vue d'applications non prévues pourrait endommager la sertisseuse et sa tête, voire occasionner des blessures corporelles.
- Utilisez les combinaisons d'appareil, d'éléments de tête et de raccord appropriées. Une mauvaise combinaison de ces éléments risquerait de compromettre l'intégralité du sertissage qui, à son tour, augmenterait les risques de fuites et de blessure corporelle.

• **Avant d'utiliser une sertisseuse RIDGID, familiarisez-vous avec :**

- Le manuel ci-présent,
- Les instructions visant le type de tête utilisée,
- Le manuel du bloc-piles et chargeur,
- Les consignes d'installation du fabricant des raccords,
- Les consignes d'utilisation de tout autre matériel utilisé avec cet appareil.

Le non-respect de l'ensemble de ces consignes pourrait entraîner d'importants dégâts matériels et/ou de graves lésions corporelles.

Coordonnées RIDGID

En cas de questions concernant ce produit RIDGID® veuillez :

- Visiter le site RIDGID.com afin de localiser le représentant RIDGID le plus proche ;
- Consulter les services techniques RIDGID par courriel adressé à ProToolsTechService@Emerson.com, ou bien, à partir des Etats-Unis ou du Canada, en composant le 844-789-8665.

Description

Equipées des éléments de tête appropriés, la sertisseuse RIDGID® RP 342-XL assurent le sertissage étanche et permanent des raccords de tuyaux de plomberie, de chauffage de climatisation et de réfrigération.

Lorsque l'on appui sur la gâchette de la sertisseuse, son moteur électrique interne actionne une pompe hydraulique qui, à son tour, envoi du fluide hydraulique vers le cylindre de l'appareil pour faire avancer le vérin contre l'accessoire qui, lui, comprime le raccord.

La collerette de l'appareil permet de sélectionner l'une de deux configurations de fonctionnement. En configuration « Standard », l'appareil utilise les têtes de sertissage RIDGID de la série Standard. La configuration « Extended » (prolongée) permet d'utiliser les têtes de sertissage de la série Extended du commerce approuvées par RIDGID (*Se reporter à la section « Caractéristiques techniques »*).

Le cycle de sertissage a une durée d'environ 4 secondes pour les têtes de la série Standard et d'environ 9 secondes pour les têtes de la série Extended. Une fois le cycle de sertissage entamé, il continuera de comprimer le raccord qu'à son sertissage complet, même si on relâche la gâchette.

Le témoin d'état de fonctionnement de l'appareil indique, entre-autre, une température hors limite, un bloc-piles déchargé ou un besoin de révision. L'appareil est équipé d'un éclairage ciblé qui s'allume dès que l'on appui sur la gâchette.

La tête de l'appareil est orientable sur 270° afin d'en faciliter l'accès aux endroits restreints.

L'appareil est équipé de deux (2) anneaux en tissu qui peuvent éventuellement servir à accrocher une bretelle ou une lanière de sécurité appropriée.

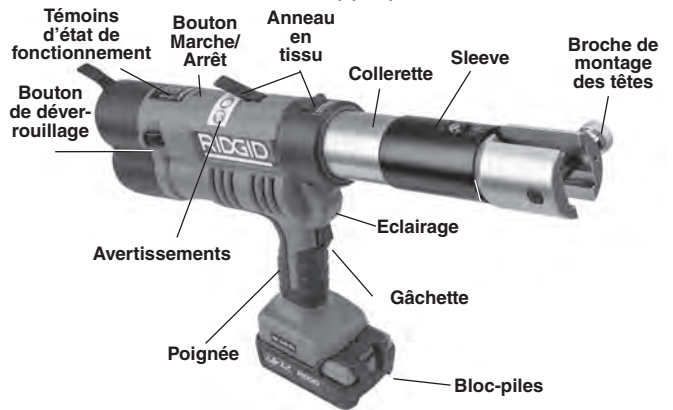


Figure 1 – Sertisseuse RIDGID RP 342-XL avec mâchoire série Standard

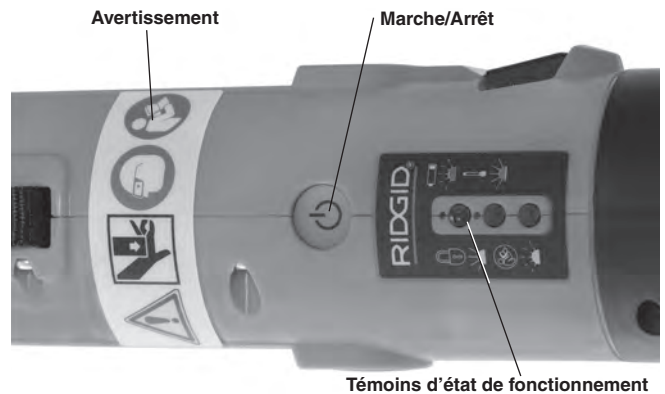


Figure 2 – Bouton Marche/Arrêt et témoins d'état de fonctionnement



Figure 3 – Numéro de série de l'appareil – Les chiffres encadrés indiquent le mois et l'année de fabrication. (MM = mois, YY = année).



Commande	Désignation	Description
Bouton Marche/Arrêt		Interrupteur de la sertisseuse : Appuyer pour Marche/Arrêt. Marche : Appuyez sur le bouton jusqu'à ce que le témoin s'allume (<i>Figure 5 – Témoins d'état de fonctionnement</i>). Arrêt : Appuyez sur le bouton jusqu'à ce que le témoin s'éteigne. La sertisseuse s'éteindra automatiquement au bout de dix (10) minutes d'inactivité.
Gâchette	—	Appuyez sur la gâchette pour sertir le raccord. Lâchez-la dès que l'appareil est engagé. Le fait de lâcher la gâchette n'arrêtera pas le sertissage une fois qu'il est entamé. Cela assure l'intégrité et la continuité des sertissages successifs.
Bouton de déverrouillage		Permet désengager l'appareil avant la fin du sertissage. Le cas échéant, complete le sertissage restera incomplet et devra être repris.
Broche de montage des accessoires	—	Retenu des têtes de sertissage (<i>Figure 6</i>).
Chemise - Configuration Série "Extended (80 mm)"	80 mm	La chemise glisse entre les configurations « Extended » et « Standard » pour l'utilisation des outils appropriés. Se reporter à la rubrique « <i>Changement de la configuration de l'appareil (Extended/Standard)</i> ».
Chemise - Configuration Série "Standard (40 mm)"	40 mm	

Figure 4 – Schéma des commandes

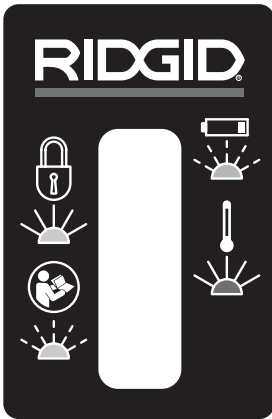


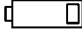


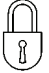
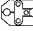
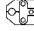
	Icone	Allumé en continu	Clignotant	Désignation
			Vert	
			Vert	Tension d'alimentation insuffisante. L'appareil ne fonctionne pas. Bloc-piles : recharger. Adaptateur sur secteur : Changer de prise, éliminer les rallonges électriques.
	Rouge			Appareil hors des limites de température. Amener l'appareil et le bloc-piles pour rectification.
			Jaune	Proximité de la prochaine révision. Le clignotement commence à 18 000 cycles et l'appareil se bloquera lorsqu'il atteindra 20 000 cycles.
	Jaune			Appareil bloqué. Atteinte des 20 000 cycles, donc révision obligatoire. Anomalie. Retirez et réinstallez le bloc-piles. Si le témoin reste allumé, faites réparer l'appareil.

Figure 5 – Témoins d'état de fonctionnement

Caractéristiques techniques

Têtes de sertissage	RIDGID série Standard	RIDGID série Extended approuvées
Course	Configuration Standard : 1,57" (40 mm)	Configuration Extended : 3,15" (80 mm)
Régime de sertissage...	3 Press  /min.	3  /min
Force du vérin	32 kN (7,200 lbs.)	
Moteur		
Tension nominale	18V	
Ampères.....	27,2 A	
Puissance.....	490 Watts	
Alimentation.....	Bloc-piles Li-ion 18 V série RIDGID RB-18XX	
Température ambiante		
	15° F à 122° F (-10° C à 50° C)	
Poids (hors bloc-piles et tête).....		
	10,8 lbs. (4,9 Kg)	
Hauteur.....		
	10,5" (267 mm)	
Largeur		
	3,35" (85 mm)	
Longueur		
	20,9" (531 mm)	

Equipements de série

Reportez-vous au catalogue RIDGID pour les détails visant l'équipement de chaque appareil référencé.

AVIS IMPORTANT Le choix des matériaux et des méthodes de raccordement appropriés reste la responsabilité du bureau d'études et/ou de l'installateur. Une étude approfondie des besoins spécifiques du réseau, notamment en matière de milieu chimique et température d'exploitation, s'impose avant toute tentative d'installation. Consultez le fabricant des connecteurs pour les critères de sélection applicables.

Inspection préalable de l'appareil

⚠ AVERTISSEMENT



Effectuez une inspection préalable quotidienne de la sertisseuse afin de corriger toute anomalie afin de limiter les risques de choc électrique, écrasement des membres, défaillance des têtes, etc., ainsi que pour éviter d'endommager l'appareil.

1. Retirez le bloc-piles de l'appareil.
 2. Eliminez toutes traces d'huile, de cambouis ou de crasse de l'appareil et de la tête, notamment au niveau des poignées et commandes. Cela facilitera l'inspection et améliorera la prise en main de l'appareil.
 3. Lors de l'inspection de la sertisseuse, concentrez-vous sur les points suivants :
 - L'assemblage, l'état d'entretien et l'intégralité de l'appareil.
 - D'éventuelles pièces endommagées, usées, manquantes, désalignées ou grippées. Vérifiez le bon état des anneaux en tissu.
 - Le libre fonctionnement de la broche de montage de tête entre sa position entièrement ouverte et entièrement fermée. La broche devrait se verrouiller dans chaque position. Vérifiez le libre fonctionnement de la gâchette, notamment l'absence de grippage ou d'accrochage.
 - La présence et la lisibilité des avertissements indiqués à la Figure 2.
 - Toute autre anomalie qui pourrait nuire à la sécurité et au fonctionnement prévu de l'appareil.
- Faites corriger toute anomalie éventuelle avant de réutiliser l'appareil.

- Examinez et entretenez les têtes de sertissage selon les consignes correspondantes. Retirez la tête de l'appareil. Vérifiez le bon fonctionnement des têtes et la lisibilité de leurs références.
- Examinez et entretenez tout autre matériel utilisé selon les consignes applicables afin de vous assurer de son bon fonctionnement.

Préparation et utilisation de l'appareil

⚠ AVERTISSEMENT



En cours d'opération, éloigner les doigts et les mains de la tête de l'appareil. Les doigts et les mains peuvent être écrasés, fracturés ou amputés par la tête ou par l'appareil, voire entre l'appareil, l'ouvrage et autres objets.

En cours d'utilisation, la force générée par l'appareil est suffisamment importante pour briser et projeter l'ouvrage et provoquer des blessures. Se tenir à l'écart en cours d'utilisation et porter les équipements de protection appropriés, y compris une protection oculaire.

Prévoir la combinaison d'appareil, d'élément de tête et de raccord appropriée. Une mauvaise combinaison de ceux-ci pourrait produire un raccordement incomplet qui augmenterait les risques de fuite, de détérioration du matériel et de blessure.

Respecter les consignes de préparation et d'utilisation suivantes afin de limiter les risques de blessure par écrasement ou autres causes, et afin d'éviter d'endommager l'appareil.

- Confirmez la compatibilité des lieux (*voir Consignes de sécurité générales*). Assurez-vous d'un emplacement dégagé, de niveau, stable et sec pour l'utilisateur. Ne jamais utiliser cet appareil avec les pieds dans l'eau.

- Examinez les travaux envisagés afin de sélectionner la sertisseuse et tête de sertissage RIDGID appropriées. L'utilisation d'un matériel inadapté pourrait provoquer des blessures, endommager l'appareil et nuire à l'intégrité des raccords.
- Confirmez l'inspection préalable et la préparation appropriée de l'ensemble du matériel selon les consignes applicables.

Retrait et montage des têtes

- Retirez le bloc-piles de l'appareil.
- Déverrouillez et délogez la broche de montage de tête en appuyant légèrement sur sa molette (1) puis en la tournant légèrement à gauche. La broche et montée sur ressort et se délogera d'elle-même. Contrôlez son retrait (*Figure 6A*).
- Au besoin, changez la configuration de l'appareil en fonction du type de tête (Extended ou Standard) utilisé.
- Montez la tête appropriée.
- Renforcez la broche de montage complètement. La broche doit être réintroduite à fond afin d'éviter d'endommager la sertisseuse en cours d'opération.
- Examinez l'espace entre la tête et la collerette (*Figure 6B*). N'utilisez pas l'appareil si cet écartement est supérieur à 0,39" (10 mm).

⚠ AVERTISSEMENT Un écartement excessif entre la tête de sertissage et la collerette risque d'exposer les galets de la sertisseuse en cours d'opération. Cela augmenterait les risques d'écrasement des membres. Ne jamais utiliser de têtes de sertissage série Standard lorsque l'appareil est en mode Extended.

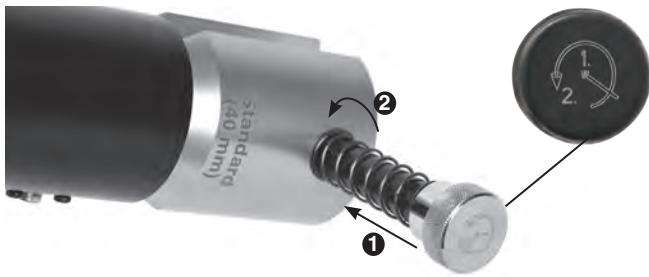


Figure 6A – Broche de montage entièrement ouverte



Figure 6B – Broche de montage complètement fermée

Changement de la configuration de l'appareil : Extended (80 mm) / Standard (40 mm)

La sertisseuse RIDGID RP 342 XL peut être configurée pour utiliser les outils soit de la série Standard, soit de la série Extended (Se reporter aux *Caractéristiques techniques pour plus d'informations*). Pour changer de configuration :

1. Retirer tout outil éventuel de la sertisseuse.
2. Avec les mains sèches, installez un bloc-piles entièrement chargé dans l'appareil.
3. Pour aller de la configuration « Standard » à la configuration « Extended » - Avec les mains à l'écart des rouleaux, appuyez sur le bouton marche/arrêt pour faire avancer les rouleaux d'environ 1/8" (3 mm). Lâchez le bouton. Appuyez sur la touche « Colletette » ① et faites avancer la colletette ② jusqu'au repère « Extended (80 mm) ». Vérifiez l'engagement complet de la colletette (Figure 7). Appuyez sur la détente pour ramener les rouleaux.
4. Pour aller de la configuration « Extended » à la configuration « Standard » – Avec les mains à l'écart des rouleaux, appuyez sur le bouton marche/arrêt pour faire avancer les rouleaux au-delà du repère « Extended (80 mm) » de la tête de colletette (Figure 8). Lâchez le bouton. Appuyez sur la touche « Colletette » ① et ramenez la colletette au repère « Standard

(40 mm) ». Vérifiez l'engagement complet de la colletette. Appuyez sur la détente pour ramener les rouleaux.

En configuration Standard, la colletette empêchera les rouleaux d'avancer plus loin que nécessaire. Cela limitera la durée des cycles en configuration « Standard ». Ne pas utiliser d'outils de sertissage de la série Standard lorsque l'appareil est en configuration « Extended ». Cela laisse un vide entre l'outil et la colletette, permettant d'accéder aux rouleaux de l'outil en cours d'utilisation. Cela augmenterait les risques d'écrasement.

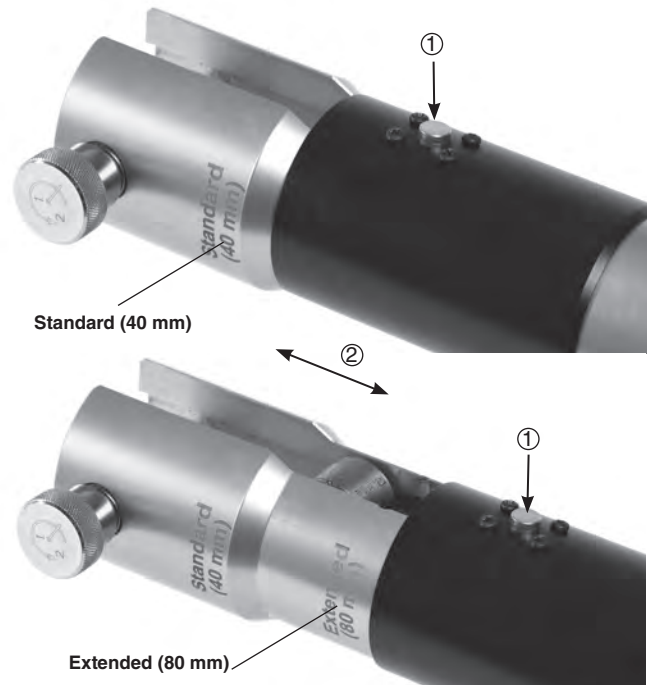


Figure 7 – Changement de configuration de la sertisseuse

Préparation du raccord

AVIS IMPORTANT Les consignes ci-présentes sont des instructions générales visant plusieurs types de têtes de sertisseuse. Respectez systématiquement les consignes spécifiques visant la tête de sertisseuse utilisée et les instructions d'installation spécifiques du fabricant des raccords utilisés afin de limiter les risques d'un mauvais sertissage et d'importants dégâts matériels.

1. Préparez le raccord selon les consignes du fabricant des raccords.
2. Avec les mains sèches, introduisez un bloc-piles entièrement chargé dans la sertisseuse. Appuyez une fois sur la touche Marche/Arrêt pour allumer l'appareil. Le témoin vert s'allumera. Reportez-vous à la Figure 5 – *Témoins d'état de fonctionnement* pour la désignation des autres témoins. L'appareil s'éteindra

automatiquement dès qu'il reste inutilisé pendant dix (10) minutes.

Le sertissage à l'aide de mâchoires à cisaille typiques

1. Tenez l'appareil fermement entre les deux mains (Figure 8).
2. Comprimez les bras de mâchoire pour ouvrir les mâchoires.



Figure 8 – Prise en main de l'appareil

3. Engagez les mâchoires autour du tuyau (Figure 9). Alignez le profil de sertissage des mâchoires sur le pourtour du raccord comme indiqué dans les instructions du fabricant des raccords. Relâchez les bras de mâchoire pour renfermer les mâchoires autour du raccord.

Ne suspendez pas les mâchoires par le raccord. L'appareil risquerait de tomber sans préavis et provoquer des blessures graves, voire mortelles.



Figure 9 – Engagement des mâchoires autour du raccord



Figure 10 – Mâchoires en position appropriée

4. Vérifiez que les mâchoires sont correctement positionnées et à l'équerre du raccord. Eloignez vos doigts et vos mains des mâchoires afin d'éviter les risques d'écrasement entre par les mâchoires ou entre les mâchoires et les surfaces environnantes.

Appuyez sur la gâchette (Figure 1). Dès que le cycle de sertissage est entamé et que les galets entrent en contact avec les bras de mâchoire, l'appareil s'engage pour effectuer le sertissage automatiquement. Le fait de lâcher la gâchette n'arrêtera pas la sertisseuse une fois qu'elle est engagée. Cela assure l'intégrité et la continuité des sertissages successifs.

S'il est nécessaire de retirer l'appareil avant la fin du cycle de sertissage, appuyez sur le bouton de déverrouillage (Figure 1). Le cas échéant, le sertissage ne sera PAS complété et le processus de raccordement devra être répété pour assurer l'intégrité du raccord. Utilisez cette méthode en cas de défaillance de l'appareil en cours d'opération. En cas d'urgence, lâchez la gâchette et appuyez sur le bouton de déverrouillage.

5. Lâchez la gâchette.
6. Comprimez les bras de mâchoire pour ouvrir les mâchoires.
7. Retirez les mâchoires du raccord. Eviter de toucher les bavures tranchantes qui auraient pu se former autour du raccord lors de son sertissage.
8. En fin d'opération, appuyez une fois sur la touche Marche/Arrêt pour éteindre l'appareil. Retirez les blocpiles de l'appareil.

Sertissage des raccords à l'aide d'un actionneur et de bagues de sertissage typiques

1. Ouvrez la bague de sertissage et engagez-la autour du raccord. Alignez le profil de la bague de sertissage

sur le raccord selon les instructions du fabricant des raccords. Relâchez la bague pour qu'elle se renferme autour du raccord.

2. Assurez-vous que l'appareil est équipé de l'actionneur approprié. Comprimez les bras de l'actionneur pour l'ouvrir. Alignez les ergots de l'actionneur sur les logements prévus dans la bague. Relâchez les bras de l'actionneur et engagez les ergots à fond dans les logements de la bague (Figure 12). Un mauvais alignement des ergots vis à vis des logements de bague pourrait endommager la bague ou l'actionneur en cours de sertissage. Ne suspendez pas l'appareil et l'actionneur par la bague de sertissage. L'appareil pourrait tomber sans préavis et provoquer des blessures graves ou mortelles.
3. Assurez-vous que la bague est correctement positionnée et d'équerre au raccord. Eloignez vos doigts et vos mains de l'actionneur et de la bague afin d'éviter leur écrasement par l'accessoire ou entre l'accessoire et les surfaces environnantes.

Appuyez sur la gâchette. Dès que le cycle de sertissage est entamé et que les galets entrent en contact avec les bras de mâchoire, l'appareil s'engage pour effectuer le sertissage automatiquement. Le fait de lâcher la gâchette n'arrêtera pas la sertisseuse une fois qu'elle est engagée. Cela assure l'intégrité et la continuité des sertissages successifs.

4. S'il est nécessaire de retirer l'appareil avant la fin du cycle de sertissage, appuyez sur le bouton de déverrouillage (Figure 1). Le cas échéant, le sertissage ne sera PAS complété et le processus de raccordement devra être répété pour assurer l'intégrité du raccord. Utilisez cette méthode en cas de défaillance de l'appareil en cours d'opération. En cas d'urgence, lâchez la gâchette et appuyez sur le bouton de déverrouillage.



Figure 11 – Engagement de la bague de sertissage sur le raccord



Figure 12 – Engagement de l'actionneur sur la bague de sertissage

5. Lâchez la gâchette.
6. Comprimez les bras de l'actionneur pour ouvrir l'actionneur. Retirez l'actionneur de la bague.
7. Retirez la bague du raccord. Evitez les bavures tranchantes qui auraient pu se former autour du raccord en cours de sertissage.
8. En fin d'opération, appuyez sur la touche Marche/Arrêt pour éteindre l'appareil. Retirez le bloc-piles ou l'adaptateur d'alimentation sur secteur de l'appareil.

Examen du raccord serti

1. Examinez le raccord serti sur les points suivants :
 - Insertion complète du tuyau dans le raccord.
 - Désalignement excessif des tuyaux. Un léger déport au niveau d'un raccord est considéré normal.
 - Mauvais alignement de la tête de sertissage vis à vis du pourtour du raccord. Signe d'un raccord ovalisé ou déformé.
 - Toute autre anomalie potentielle indiquée par le fabricant des raccords. Cela peut comprendre l'absence d'une bague ou étiquette de contrôle utilisée pour indiquer que le raccord n'est pas encore serti.

En cas d'anomalie éventuelle, retirez le raccord et préparez un nouveau raccordement.
2. Contrôlez le raccord selon les instructions du fabricant des raccords, les règles de l'art et les normes en vigueur.

Remisage

Retirez le bloc-piles de l'appareil. Rangez la sertisseuse et son bloc-piles dans la mallette de transport. Evitez de les ranger à des températures extrêmes. La sertisseuse ne fonctionnera pas en dehors des limites de température indiquées. Cela sera signalé par un témoin lumineux (Figure 5).

⚠ AVERTISSEMENT Rangez l'appareil dans un endroit sec et sous clé, hors de portée des enfants et des individus non-familiarisés avec ce type de sertisseuse. L'appareil serait dangereux entre des mains novices.

Entretien

⚠ AVERTISSEMENT

Retirez le bloc-piles de l'appareil avant son entretien ou réglage.

Nettoyage et lubrification

1. Essuyez l'extérieur de l'appareil au quotidien à l'aide d'un chiffon propre et sec.
2. Examinez la broche de montage de tête et lubrifiez-la au besoin avec un lubrifiant à base de silicone.
3. Examinez les ressorts de rappel de la tête de sertissage. **AVERTISSEMENT** sage lors de chaque utilisation. Les têtes de sertissage devraient s'ouvrir et se fermer librement avec une résistance manuelle modérée.

Dépannage

SYMPTOME	CAUSES POSSIBLES	SOLUTION
L'appareil ne s'allume pas lorsqu'on appuie sur la touche Marche/Arrêt.	Bloc-piles déchargé ou défaillant. Bloc-piles mal inséré.	Insérez un bloc-piles rechargé ou rechargez le bloc-piles existant. Vérifiez l'insertion complète du bloc-piles.
La tête refuse de se libérer du raccord.	Sertissage interrompu.	Appuyez sur le bouton de déverrouillage pour libérer la mâchoire. Examinez et sertissez le raccord à nouveau.
Les sertissages effectués sont incomplets.	Utilisation de mâchoires inadaptées à la section ou composition du tuyau. Appareil non d'équerre au tuyau. Profil de sertissage de la tête non aligné sur le profil du raccord. L'appareil a besoin de réparation.	Installez les mâchoires appropriées. Reprenez le raccordement avec un nouveau tuyau et un nouveau raccord. Vérifiez l'équerrage de l'appareil par rapport au tuyau. Reprenez le raccordement avec un nouveau tuyau et un nouveau raccord. Vérifiez l'alignement entre le profil de mâchoire et le profil du raccord. Consultez la section <i>Coordonnées</i> pour localiser le réparateur RIDGID indépendant le plus proche.
Fuite d'huile.	Joint d'étanchéité ou problèmes mécaniques.	
Le moteur tourne mais l'appareil ne cycle pas complètement.	Manque d'huile.	Consultez la section <i>Coordonnées</i> pour localiser le réparateur RIDGID indépendant le plus proche.
L'appareil s'arrête en cours d'opération.	Manque d'huile.	

Se reporter à la Figure 5 – Témoins d'état de fonctionnement

Révisions obligatoires assurées par un réparateur RIDGID agréé

Afin d'assurer son bon fonctionnement, la sertisseuse RP 342-XL doit être révisée à intervalles prédéterminés par un réparateur RIDGID agréé. Ce besoin de révision sera indiqué par le témoin d'état de fonctionnement correspondant (Figure 5).

Autres révisions et réparations

⚠ AVERTISSEMENT

Toute révision ou réparation mal effectuée pourrait compromettre la sécurité de l'appareil.

La révision et réparation de la sertisseuse RP 342-XL doivent être confiées à un réparateur RIDGID indépendant.

Reportez-vous à la section Coordonnées du manuel pour localiser le réparateur agréé le plus proche ou pour toutes questions visant la révision ou la réparation de l'appareil.

Accessoires

⚠ AVERTISSEMENT

Afin de limiter les risques de blessure grave, utilisez exclusivement les accessoires spécifiquement prévus pour la sertisseuse RP 342-XL, tels que ceux indiqués ci-après.

Bloc-piles et adaptateurs

Réf. catalogue	Désignation
56513	Bloc-piles lithium ion 18 V/2,5 Ah type RB-1825
56518	Bloc-piles lithium ion 18 V/5 Ah type RB-1850
44468	Alimentation sur secteur 120 V – Amérique du Nord

Chargeurs et cordons d'alimentation

L a

Réf. catalogue		Région	Type de fiche
64383	Chargeur RBC-30	Amérique du Nord	A
64173	Cordon de chargeur RBC-30	Amérique du Nord	A

Ridge Tool Company propose des têtes de sertissage série Standard spécifiquement prévues pour les sertisseuses RIDGID de la série Standard. Utilisez exclusivement les têtes de sertissage spécifiquement adaptées au système de raccordement utilisé.

Pour obtenir la liste complète des accessoires RIDGID prévus pour ces appareils, consultez le catalogue Ridge Tool en ligne à RIDGID.com ou la section *Coordonnées* du manuel.

Recyclage

Certains composants de ces appareils contiennent des matières rares et recyclables. Des sociétés de recyclage spécialisées peuvent parfois se trouver localement. Recyclez ce type de matériel selon la réglementation en vigueur. Consultez les services de recyclage de votre localité pour de plus amples renseignements.



A l'attention des pays de la CE : Ne jamais jeter de matériel électrique dans les ordures ménagères !

Selon la directive européenne n° 2012/19/UE visant le recyclage des déchets électriques et électroniques, ainsi que les diverses réglementations nationales qui en découlent, tout matériel électrique non utilisable doit être trié séparément et recyclé de manière écologiquement responsable.

Compatibilité électromagnétique (EMC)

Le terme « compatibilité électromagnétique » sous-entend le fonctionnement normal d'un appareil en présence de radiations électromagnétiques et de décharges électrostatiques, sans lui-même émettre de parasites électromagnétiques susceptibles de nuire au bon fonctionnement des appareils environnants.

AVIS IMPORTANT Ces appareils sont conformes à l'ensemble des normes EMC applicables. Cependant, la possibilité de parasitage des appareils environnants ne peut pas être exclue. La fiche technique de chaque appareil stipule l'ensemble des normes EMC effectivement mises à épreuve.

RP 342-XL

Selladora



⚠️ ADVERTENCIA!

Antes de utilizar este aparato, lea detenidamente su Manual del Operario. Pueden ocurrir descargas eléctricas, incendios y/o graves lesiones personales si no se entienden y siguen las instrucciones de este manual.

Selladora RP 342-XL

Apunte aquí el número de serie del aparato, que se encuentra en su placa de características. Guarde el número de serie.

N° de serie

Índice de materias

Formulario de registro para el número de serie de la máquina	27
Simbología de seguridad	29
Advertencias de seguridad general para máquinas eléctricas	
Seguridad en la zona de trabajo	29
Seguridad eléctrica	29
Seguridad persona	30
Uso y cuidado de las máquinas eléctricas	30
Uso y cuidado de las máquinas a batería	31
Servicio	31
Información de seguridad específica	
Seguridad de la selladora	31
Información de contacto RIDGID®	32
Descripción	
Luces de estado de la selladora	32
Especificaciones	
Equipo estándar	34
Inspección previa al funcionamiento	34
Instrucciones de montaje y operación	35
Extracción y colocación de accesorios	35
Modificación de la configuración de la selladora (Extended de 80 mm o Standard de 40 mm)	36
Preparación de la conexión	36
Selladura de un acoplamiento con mordazas tradicionales de tipo tijera	36
Selladura de un acoplamiento con un accionador y aro sellador tradicionales	37
Inspección de la junta sellada	38
Almacenamiento	38
Instrucciones de mantenimiento	
Limpieza y lubricación	39
Resolución de problemas	39
Servicio exigido en servicentros RIDGID independientes autorizados	39
Servicio y reparaciones	39
Equipos opcionales	40
Eliminación	40
Compatibilidad electromagnética (CEM)	40
Declaración de conformidad de la Comunidad Europea	Interior de la carátula posterior
Garantía de por vida	Carátula posterior

*Traducción del manual original

Simbología de seguridad

En este manual del operario y en el producto mismo encontrará símbolos y palabras de advertencia que comunican importante información de seguridad. Para su mejor comprensión, en esta sección se describe el significado de estas palabras y símbolos de advertencia.



Este es el símbolo de una alerta de seguridad. Sirve para prevenir al operario de las lesiones corporales que podría sufrir. Obedezca todas las instrucciones de seguridad que acompañan a este símbolo para evitar posibles lesiones o la muerte.



Este símbolo de PELIGRO advierte de una situación de riesgo o peligro que, si no se evita, produce la muerte o lesiones graves.



Este símbolo de ADVERTENCIA avisa de una situación de riesgo o peligro que, si no se evita, podría producir la muerte o lesiones graves.



Este símbolo de CUIDADO advierte de una situación de riesgo o peligro que, si no se evita, podría producir lesiones leves o moderadas.



Un AVISO advierte de la existencia de información relacionada con la protección de un bien o propiedad.



Este símbolo significa que es necesario leer detenidamente el manual del operario antes de usar el equipo. El manual del operario contiene información importante acerca del funcionamiento apropiado y seguro del equipo.



Este símbolo indica que siempre debe usar gafas o anteojos de seguridad con viseras laterales cuando manipule o use este aparato, para reducir el riesgo de lesión a los ojos.



Este símbolo indica que existe riesgo de aplastamiento de los dedos, manos y otras partes del cuerpo.



Este símbolo indica que hay riesgo de choque de electricidad.

Advertencias de seguridad general para máquinas eléctricas*

⚠ ADVERTENCIA

Lea todas las instrucciones y advertencias de seguridad. Si no se siguen y respetan todas las instrucciones y advertencias, podrían producirse descargas eléctricas, incendios y/o lesiones graves.

¡GUARDE TODAS LAS ADVERTENCIAS E INSTRUCCIONES PARA SU POSTERIOR CONSULTA!

El término “máquina eléctrica” en las advertencias se refiere a la máquina eléctrica con cordón que recibe electricidad del tomacorriente o a la máquina eléctrica sin cordón que funciona a batería.

Seguridad en la zona de trabajo

- **Mantenga su zona de trabajo limpia y bien iluminada.** Los lugares desordenados u oscuros pueden provocar accidentes.
- **No haga funcionar máquinas eléctricas en ambientes explosivos, es decir, en presencia de líquidos, gases o polvo inflamables.** Las herramientas eléctricas pueden generar chispas que podrían encender los gases o el polvo.

- **Mientras haga funcionar una máquina eléctrica, mantenga alejados a los niños y observadores.** Cualquier distracción podría hacerle perder el control del aparato.

Seguridad eléctrica

- **El enchufe del aparato eléctrico debe corresponder al tomacorriente. Jamás modifique el enchufe del aparato. No utilice un enchufe adaptador cuando haga funcionar una herramienta eléctrica provista de conexión a tierra.** Los enchufes intactos y tomacorrientes que les corresponden reducen el riesgo de choques de electricidad.
- **Evite el contacto de su cuerpo con artefactos conectados a tierra tales como cañerías, radiadores, estufas o cocinas, y refrigeradores.** Aumenta el riesgo de choques de electricidad si su cuerpo ofrece conducción a tierra.
- **No exponga las máquinas eléctricas a la lluvia ni permita que se mojen.** Si entra agua a una máquina eléctrica aumenta el riesgo de choques de electricidad.
- **No maltrate el cordón eléctrico del aparato. Nunca transporte el aparato tomándolo de su cordón eléctrico ni jale del cordón para desenchufarlo del tomacorriente. Mantenga el cordón alejado del**

* Como es obligatorio, el texto usado en la sección Advertencias de seguridad general para máquinas eléctricas de este manual es transcripción literal de la correspondiente norma UL/CSA 62841-1. Esta sección contiene las prácticas de seguridad general para distintos tipos de máquinas eléctricas. No todas las precauciones corresponden a cada máquina; hay algunas que no le competen a esta máquina.

calor, aceite, bordes cortantes o piezas móviles. Un cordón enredado o en mal estado aumenta el riesgo de choques de electricidad.

- **Al hacer funcionar una máquina eléctrica a la intemperie, emplee un cordón de extensión fabricado para uso al aire libre.** Los cordones diseñados para su empleo al aire libre reducen el riesgo de choques de electricidad.
- **Si resulta inevitable el empleo de una máquina eléctrica en un sitio húmedo, enchúfela en un tomacorriente GFCI (dotado de un Interruptor del Circuito de Pérdida a Tierra).** El interruptor GFCI reduce el riesgo de choques de electricidad.

Seguridad personal

- **Manténgase alerta, preste atención a lo que está haciendo y use sentido común cuando haga funcionar una máquina eléctrica. No use ningún aparato eléctrico si usted está cansado o se encuentra bajo la influencia de drogas, alcohol o medicamentos.** Tan solo un breve descuido durante el funcionamiento de una máquina eléctrica puede resultar en lesiones personales graves.
- **Use equipo de protección personal. Siempre use protección para los ojos.** Según corresponda para cada situación, póngase equipos de protección como mascarilla para el polvo, calzado de seguridad antideslizante, casco, o protección para los oídos, con el fin de reducir las lesiones personales.
- **Evite echar a andar un aparato sin querer. Asegure que el interruptor esté en posición de apagado (OFF) antes de conectar el aparato a la corriente eléctrica o a la batería, o de tomarlo o acarrearlo.** Se pueden producir accidentes cuando se transporta una máquina eléctrica con el dedo puesto sobre el interruptor, o se la conecta a la fuente de energía con el interruptor en posición de encendido (ON).
- **Extraiga cualquier llave de ajuste que esté acoplada al aparato antes de encenderlo.** Una llave acoplada a una pieza o parte giratoria de la máquina eléctrica puede producir lesiones personales.
- **No trate de extender el cuerpo para alcanzar algo. Mantenga los pies bien plantados y mantenga el equilibrio en todo momento.** Esto permite un mejor control de la máquina eléctrica en situaciones inesperadas.
- **Vístase adecuadamente. No lleve ropa suelta ni joyas. Mantenga su cabello, ropa y guantes apartados de las piezas en movimiento.** La ropa suelta, las joyas o el pelo largo pueden engancharse en las piezas móviles.
- **Si se proveen dispositivos para la extracción y recolección del polvo, asegure que estén bien conectados y que se usen correctamente.** La extracción del polvo puede reducir los peligros que acarrea.
- **No permita que la familiarización debida al uso frecuente de las herramientas le induzca a hacer caso omiso de los principios de seguridad.** Cualquier descuido podría causar una lesión grave en una fracción de segundo.

Uso y cuidado de las máquinas eléctricas

- **No fuerce las máquinas eléctricas. Use el aparato eléctrico correcto para la tarea que está por realizar.** Hará mejor el trabajo y en forma más segura con la máquina eléctrica que corresponda a su clasificación nominal.
- **Si el interruptor de la máquina eléctrica no la enciende (ON) o no la apaga (OFF), no utilice el aparato.** Cualquier máquina eléctrica que no se pueda controlar mediante su interruptor es un peligro y debe repararse.
- **Desenchufe el aparato del tomacorriente o extraiga la batería antes de hacer ajustes, cambiar accesorios o almacenarlo.** Estas medidas de seguridad preventiva reducen el riesgo de poner la máquina eléctrica en marcha involuntariamente.
- **Almacene las máquinas eléctricas que no estén en uso fuera del alcance de los niños y no permita que las hagan funcionar personas que no estén familiarizadas con estas herramientas o no hayan leído estas instrucciones de operación.** Las máquinas eléctricas en manos de personas no capacitadas son peligrosas.
- **Efectúe el mantenimiento de las máquinas eléctricas y sus accesorios. Revise que sus piezas móviles estén bien alineadas y que no se atascan. Verifique que no tengan piezas rotas ni presenten alguna condición que podría afectar su funcionamiento. Si un aparato eléctrico está dañado, hágalo reparar antes de utilizarlo.** Muchos accidentes se deben a máquinas eléctricas que no han recibido un mantenimiento adecuado.
- **Mantenga las herramientas de cortar afiladas y limpias.** Cuando sus partes filosas se mantienen afiladas, son menos propensas a trabarse y más fáciles de controlar.
- **Utilice la máquina eléctrica, sus accesorios, brocas, barrenas, etc. en conformidad con estas instrucciones, teniendo en cuenta las condiciones imperantes y la tarea que se realizará.** Cuando se emplea una máquina eléctrica para efectuar traba

jos que no le son propios, se crean situaciones que podrían ser peligrosas.

- **Mantenga los mangos y superficies de agarre secos, limpios y exentos de aceite y grasa.** Los mangos y superficies resbalosos no permiten al operario manejar la herramienta con seguridad y controlada en situaciones inesperadas.

Uso y cuidado de las máquinas a batería

- **Vuelva a cargar las baterías únicamente con el cargador que especifica el fabricante.** Un cargador apropiado para cierto tipo de baterías puede causar un incendio si se le emplea para cargar otro tipo de baterías.
- **Coloque en la máquina eléctrica solamente la batería específicamente indicada.** El uso de baterías diferentes a las especificadas puede causar lesiones o un incendio.
- **Cuando la batería no esté en uso, manténgala apartada de otros objetos metálicos tales como sujetapapeles, monedas, llaves, clavos, tornillos o cualquier otra cosa metálica pequeña que pudiera efectuar una conexión entre un borne y el otro.** Los cortocircuitos entre los bornes de la batería podrían causar incendios o quemaduras.
- **En condiciones extremas de uso, la batería podría rezumar líquido. No lo toque. Si accidentalmente lo llegara a tocar, lávese la zona de contacto con agua. Si el líquido entra en contacto con sus ojos, solicite además atención médica.** El líquido de una batería puede causar irritación o quemaduras.
- **No use una batería o una máquina si están dañadas o modificadas.** Las baterías dañadas o modificadas pueden actuar en forma inesperada y causar incendios, explosiones o lesiones.
- **No exponga la batería o la máquina eléctrica al fuego o a temperaturas excesivas.** La exposición al fuego o a temperaturas superiores a 265 °F (130 °C) puede causar una explosión.
- **Siga todas las instrucciones para cargar la batería. No cargue la batería ni la máquina a temperaturas que estén fuera de los límites especificados en las instrucciones.** Si carga la batería en forma equivocada o a temperaturas que estén fuera de los límites especificados, se puede dañar la batería y aumentar el riesgo de incendio.

Servicio

- **Encomiende el servicio de la máquina eléctrica únicamente a técnicos de reparación calificados que solo empleen repuestos idénticos a las piezas**

originales. Esto garantiza la continua seguridad de la máquina eléctrica.

- **Nunca le haga servicio a una batería dañada.** Solamente el fabricante o técnicos de servicio autorizados deben efectuarle servicio a las baterías.

Información de seguridad específica

⚠ ADVERTENCIA

Esta sección contiene información de seguridad importante que es específica para esta herramienta.

Antes de utilizar la selladora, lea estas precauciones detenidamente para reducir el riesgo de choques eléctricos, incendio, explosión o lesiones graves.

¡GUARDE TODAS LAS ADVERTENCIAS E INSTRUCCIONES PARA SU POSTERIOR CONSULTA!

El maletín de la selladora tiene un compartimiento para guardar este manual junto con la selladora, con el fin de que el operario lo conserve a la mano.

Seguridad de la selladora

- **Mantenga los dedos y manos apartados de los accesorios durante el ciclo de sellado.** Sus dedos o manos pueden ser aplastados, fracturados o amputados si quedan atrapados en los accesorios o entre estos componentes y cualquier otro objeto.
- **No utilice accesorios de la serie Standard si el aparato está en la configuración Extended.** Esto deja un espacio entre el accesorio y la camisa que permite el acceso a los rodillos de la selladora durante su uso, lo cual aumenta el riesgo de lesiones por aplastamiento.
- **Nunca intente reparar los accesorios de sellado que estén dañados (mordazas, aro sellador, accionador, etc.). Deseche la totalidad del accesorio averiado.** Un accesorio que se haya soldado, afilado, perforado o modificado de cualquier forma podría hacerse trizas durante una selladura y causar lesiones graves. Si no reemplaza el accesorio completo de la selladora, los componentes podrían fallar y causar lesiones graves.
- **Cuando este aparato está en marcha, genera grandes fuerzas. Estas fuerzas podrían producir la rotura o expulsión de piezas y causar lesiones.** Manténgase apartado de la selladora durante su uso y póngase el equipo de protección apropiado, incluso protección para los ojos.
- **Utilice selladoras RIDGID® solamente con los correspondientes accesorios de sellado RIDGID**

o accesorios de sellado aprobados por RIDGID (mordazas, aro sellador, accionador, etc.). Si modifica la selladora o la utiliza para otras tareas, podría dañar la selladora, dañar los accesorios y causar lesiones personales.

- **Use la combinación correcta de selladora, accesorio y acoplamiento.** Las combinaciones mal hechas pueden producir un sellado incompleto, lo cual aumenta el riesgo de fugas, daño al equipo y lesiones.
- Antes de hacer funcionar la selladora RIDGID, usted debe leer y entender:
 - Este manual del operario.
 - Las instrucciones de los accesorios.
 - El manual de la batería y del cargador.
 - Las instrucciones de instalación del fabricante de los acoplamientos.
 - Las instrucciones de cualquier otro equipo o material que se utilicen en conjunto con esta herramienta.

Si no se siguen todas las instrucciones y no se respetan las advertencias, podrían producirse daños a la propiedad y/o lesiones graves.

Información de contacto RIDGID

Si tiene alguna pregunta acerca de este producto RIDGID®:

- Comuníquese con el distribuidor RIDGID en su localidad.
- Visite RIDGID.com para ubicar su contacto local de RIDGID.
- Comuníquese con el Departamento de Servicio Técnico de Ridge Tool en ProToolsTechService@Emerson.com, o llame por teléfono desde EE. UU. o Canadá al 844-789-8665.

Descripción

La selladora RP 342-XL de RIDGID®, en conjunción con los accesorios apropiados, está diseñada para engarzar mecánicamente un acoplamiento sobre un tubo, creando entre ellos un sello permanente y hermético, como por ejemplo para aplicaciones de plomería y calefacción.

Al oprimirse el interruptor de operación de la selladora, un motor eléctrico interno impulsa una bomba hidráulica que inyecta líquido hacia el interior del cilindro del aparato. Esto impulsa al ariete o pistón hacia delante, que aplica fuerza al accesorio y sella el acoplamiento.

La selladora tiene dos configuraciones que se cambian al girar la camisa de la máquina. En la configuración Standard, la selladora se puede usar con accesorios de

sellado de la serie Standard de RIDGID. En la configuración Extended, la selladora alargada se puede usar con accesorios de sellado de la serie Extended que están disponibles en el comercio y están aprobados por RIDGID (vea la sección Especificaciones).

El ciclo de sellado para los accesorios de la serie Standard demora aproximadamente 4 segundos. Para los accesorios de la serie Extended, el ciclo demora unos 9 segundos. Una vez que se empieza a deformar el acoplamiento, el ciclo automáticamente sigue hasta que se complete la selladura, inclusive si se suelta el interruptor de operación.

Las luces de estado de la herramienta indican problemas que podrían existir tales como temperatura inapropiada, batería agotada o necesidad de mantenimiento. Se enciende una luz de trabajo cuando se oprime el interruptor de operación de la máquina, para iluminar el lugar de trabajo.

El cabezal es capaz de rotar en 270°, para mejorar el acceso en lugares estrechos.

La selladora cuenta con dos (2) bucles de tela que se pueden usar con los accesorios apropiados, tales como correas para colgar la herramienta al hombro o correas de amarre.

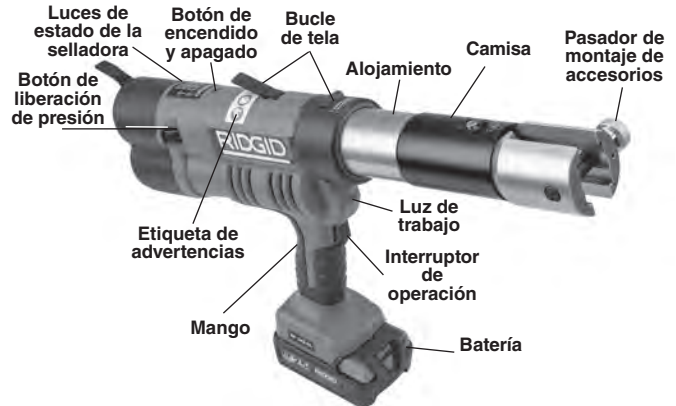


Figura 1 – Selladora RP 324-XL y mordazas de la serie Standard de RIDGID

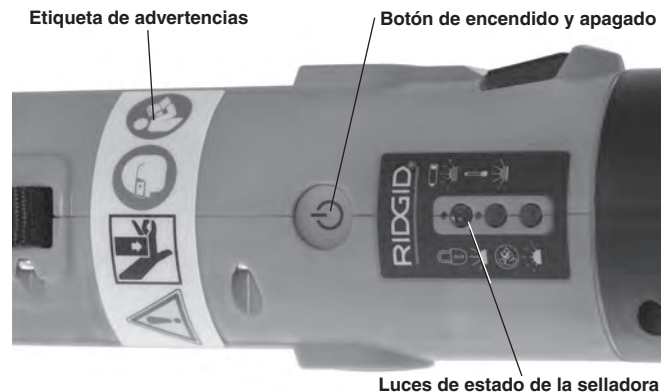


Figura 2 – Botón de encendido y apagado, y luces de estado de la selladora



Figura 3 – Número de serie de la máquina. Los dígitos marcados con un círculo indican el año (YY) y el mes (XX) de fabricación.

Control	Marca	Descripción
Botón de encendido y apagado		Interruptor principal de la selladora. Se presiona para encenderla o apagarla. Encendida: Presione el botón hasta que se encienda la luz. <i>Vea la Figura 5 – Luces de estado de la selladora.</i> Apagada: Presione el botón hasta que se apague la luz. La herramienta se apaga automáticamente después de diez (10) minutos de no usarla.
Interruptor de operación	—	Oprima el interruptor para sellar un acoplamiento. Suelte el interruptor cuando se enclava la selladora. Una vez enclavada la máquina, no se detiene la selladura si el operario suelta el interruptor. Esto asegura una integridad uniforme y reproducible de la conexión sellada.
Botón de liberación de presión		Permite suspender el ciclo sin que se complete la selladura. Si se usa, la selladura de la conexión no se completa y se debe repetir.
Pasador de montaje de accesorios	—	Sujeta el accesorio en la selladora. <i>Vea la Figura 6.</i>
Camisa: configuración de la serie Extended (80 mm)	80 mm	La camisa se desliza entre la configuración Extended y la configuración Standard según corresponda para cada accesorio. <i>Vea la sección Modificación de la configuración de la selladora (Extended de 80 mm o Standard de 40 mm).</i>
Camisa: configuración de la serie Standard (40 mm)	40 mm	

Figura 4 – Tabla de controles

Ícono	Luz constante	Luz parpadeante	Significado
		Verde	
		Verde	Poco voltaje. La selladora no funcionará. Si usa batería, vuelva a cargarla. Si usa adaptador de CA, cambie la fuente de alimentación y quite los cordones de extensión.
	Rojo		La selladora está fuera de los límites de temperatura. Deje que la selladora y la batería alcancen la temperatura correcta para su funcionamiento.
		Amarillo	Indica que se acerca el momento de hacerle servicio a la selladora. Cuando se enciende esta luz, la máquina ha completado 18.000 ciclos. La selladora se puede usar pero se bloquea cuando cumple el ciclo 20.000, que determina el intervalo de servicio.
	Amarillo		La selladora está bloqueada. Se ha completado el intervalo de servicio (20.000 ciclos) y es necesario hacerle servicio a la selladora. La selladora ha funcionado mal. Extraiga y vuelva a colocar la batería. Si la luz amarilla sigue encendida, encomiende la selladora a servicio.

Figura 5 – Luces de estado de la selladora

Especificaciones


Accesorios Serie Standard de RIDGID

Serie Extended de RIDGID o accesorios aprobados por RIDGID

Longitud de la carrera... Configuración Standard:
1,57" (40 mm)

Configuración Extended:
3,15" (80 mm)

Ciclo de trabajo..... 3 selladuras  /min

3 selladuras  /min

Fuerza del ariete 32 kN (7.200 libras)

Motor

Voltaje 18 V CC

Amperaje..... 27,2 A

Potencia..... 490 W

Alimentación Batería de ion litio de 18 V serie RB-18XX de RIDGID.

Límites de temperatura de funcionamiento 15° F a 122° F (-10° C a 50° C)

Peso (sin batería ni accesorio) 10,8 libras (4,9 kg)

Altura 10,5" (267 mm)

Ancho 3,35" (85 mm)

Largo 20.9" (531 mm)

Equipo estándar

Consulte en el catálogo RIDGID los detalles de los equipos suministrados con números de catálogo específicos.

AVISO La selección correcta de los materiales y de los métodos de unión o sellado es responsabilidad del diseñador y/o instalador del sistema. Antes de comenzar una instalación se requiere completar una cuidadosa evaluación de las condiciones ambientales imperantes, incluyendo las condiciones químicas y la temperatura de servicio. *Consulte al fabricante del acoplamiento de sellado para seleccionar correctamente los componentes del sistema.*

Inspección previa al funcionamiento

⚠ ADVERTENCIA



Inspeccione la selladora diariamente antes de usarla. Si detecta algún problema, corríjalo, con el fin de evitar lesiones graves por choques de electricidad, aplastamiento, falla de algún accesorio o por otras causas, y para prevenir daños a la máquina.

1. Extraiga la batería de la selladora.
 2. Limpie la selladora para quitarle el aceite, grasa o suciedad, especialmente en el mango y los controles. Esto facilita la inspección y ayuda a evitar que la máquina o los controles se resbalen de sus manos.
 3. Inspeccione la selladora para verificar lo siguiente:
 - Está completa y bien ensamblada, con el mantenimiento vigente.
 - No tiene piezas rotas, desgastadas, faltantes, mal alineadas o atascadas. Los bucles de tela están en buenas condiciones.
 - El pasador de montaje de accesorios se desplaza fácilmente entre la posición completamente abierta y la posición completamente cerrada. El pasador debe enclavarse bien en cada posición. Confirme que el interruptor de operación funciona bien, sin trabarse ni atascarse.
 - La etiqueta de advertencias está adherida y es legible. *Vea la Figura 2.*
 - No existe ninguna condición que impida su funcionamiento seguro y normal.
- Si encuentra algún problema, no utilice la selladora hasta que se hayan solucionado las fallas.
4. Inspeccione y hágale mantenimiento a los accesorios de la selladora según indican sus respectivas

instrucciones. Extraiga el accesorio de la selladora. Confirme que los accesorios están en buenas condiciones y claramente marcados para el uso indicado.

5. Inspeccione y hágales mantenimiento a todos los demás equipos que usará, conforme a sus instrucciones, para asegurar su buen funcionamiento.

Instrucciones de montaje y operación

⚠ ADVERTENCIA



Mantenga los dedos y las manos apartados del accesorio de la selladora durante el ciclo de sellado. Sus dedos o manos podrían ser aplastados, fracturados o amputados en el accesorio, la selladora o entre el accesorio, pieza de trabajo y otros objetos.

Cuando este aparato está en marcha, genera grandes fuerzas. Estas fuerzas podrían producir la rotura o expulsión de piezas y causar lesiones. Manténgase apartado de la herramienta durante su uso y póngase el equipo de protección apropiado, incluso gafas de seguridad.

Use la combinación correcta de selladora, accesorio y acoplamiento. Las combinaciones mal hechas pueden producir un sellado incompleto, lo cual aumenta el riesgo de fugas, daño a los equipos y lesiones.

Siga las instrucciones de montaje y operación para reducir el riesgo de lesiones por aplastamiento o por otras causas y para prevenir daños a la selladora.

1. Confirme que la zona de trabajo es apropiada (vea Advertencias de seguridad general para máquinas eléctricas). Haga funcionar la selladora solamente en lugares despejados, nivelados, estables y secos. No use la máquina si está parado en un lugar con agua.
2. Inspeccione la tarea que debe realizar y determine cuál es la herramienta y los accesorios RIDGID que correspondan conforme a sus especificaciones. El uso de una máquina incorrecta para la aplicación puede causar lesiones, dañar la herramienta o producir conexiones incompletas.
3. Confirme que todos los equipos estén inspeccionados y montados según se indica en sus instrucciones.

Extracción y colocación de accesorios

1. Extraiga la batería de la selladora.

2. Para abrir el pasador de montaje de accesorios, presione levemente la cabeza del pasador (1) y hágalo girar un poco hacia la izquierda (2). El pasador es a resorte y se retrae de inmediato. Controle el movimiento del pasador. *Vea la Figura 6 A.*
3. Si fuera necesario, cambie la configuración de la selladora para que corresponda al accesorio (Extended o Standard).
4. Introduzca el accesorio apropiado.
5. Introduzca a fondo el pasador de montaje. El pasador de montaje de accesorios debe estar encajado a fondo para que no se dañe la selladora durante su uso.
6. Inspect the gap between attachment and sleeve (See Figure 6B). Do not use tool if gap is greater than 0.39" (10 mm).

⚠ ADVERTENCIA Si el espacio entre el accesorio y la camisa es demasiado grande, los rodillos de la selladora podrían quedar al descubierto. Esto aumenta el riesgo de lesiones por aplastamiento. No use accesorios de la serie Standard si la selladora está en la configuración Extended.



Figura 6 A – Retraiga completamente el pasador de montaje de accesorios



Figura 6 B – Pasador de montaje de accesorios completamente encajado

Modificación de la configuración de la selladora (Extended de 80 mm o Standard de 40 mm)

La selladora RP 342-XL de RIDGID se puede configurar para usarse con accesorios de la serie Standard o de la serie Extended de RIDGID. *Para más información, vea la sección Especificaciones.* Para cambiar de una configuración a la otra:

1. Extraiga el accesorio de la selladora.
2. Con las manos secas, introduzca una batería completamente cargada en la selladora. Oprima el botón de encendido y apagado para encender la selladora.
3. Para cambiar de la configuración Standard a Extended: Mantenga las manos alejadas de los rodillos. Oprima el interruptor de funcionamiento para adelantar los rodillos aproximadamente $\frac{1}{8}$ " (3 mm). Suelte el interruptor de funcionamiento. Presione el botón ① en la camisa y deslice la camisa ② hasta la marca Extended (80 mm). Confirme que la camisa esté fija en su lugar (vea la Figura 7). Oprima el botón de liberación de presión para retraer los rodillos.
4. Para cambiar de la configuración Extended a Standard: Mantenga las manos alejadas de los rodillos. Oprima el interruptor de funcionamiento para adelantar los rodillos hasta más allá de la línea Extended (80 mm) en el cilindro (vea la Figura 7). Suelte el interruptor de funcionamiento. Presione el botón ① en la camisa y deslice la camisa ② hasta la marca Standard (40 mm). Confirme que la camisa esté fija en su lugar. Oprima el botón de liberación de presión para retraer los rodillos.

En la configuración Standard, la camisa impide que los rodillos se retraigan más de lo necesario. Esto reduce la duración del ciclo de la selladora cuando está en la configuración Standard. No utilice accesorios Standard si la selladora está en la configuración Extended. Esto deja un espacio entre el accesorio y la camisa que permite el acceso a los rodillos de la selladora durante su uso, lo cual aumenta el riesgo de lesiones por aplastamiento.

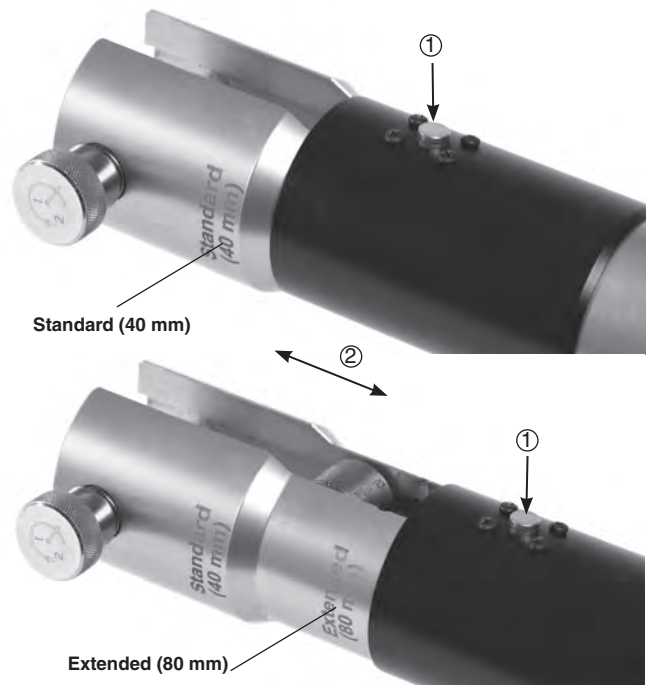


Figura 7 – Modificación de la configuración de la selladora

Preparación de la conexión

AVISO Estas instrucciones son prácticas generales para diversos tipos de accesorios de selladoras. Siempre siga las instrucciones específicas que correspondan al accesorio de sellado en uso y las instrucciones específicas de instalación provistas por el fabricante del acoplamiento. Así se reduce el riesgo de producir una unión o conexión defectuosa y causar cuantiosos daños materiales.

1. Prepare la conexión de acuerdo con las instrucciones del fabricante del acoplamiento.
2. Con las manos secas, introduzca en la base de la selladora una batería completamente cargada. Oprima el botón de encendido y apagado una sola vez, para encender la selladora. Se enciende la luz verde. *Vea la Figura 5 – Luces de estado de la selladora* si se enciende alguna otra luz. La selladora se apaga automáticamente después de diez (10) minutos de no usarla.

Selladura de un acoplamiento con mordazas tradicionales de tipo tijera

1. Agarre la selladora correctamente con ambas manos (Figura 8).
2. Apriete los brazos de la mordaza para abrirla.



Figura 8 – Forma de agarrar la selladora

3. Coloque las mordazas abiertas de manera que encierren el acoplamiento (Figura 9). El perfil de sellado de las mordazas debe estar bien alineado con el contorno del acoplamiento según se especifica en las instrucciones de instalación del fabricante del acoplamiento. Para cerrar las mordazas sobre el acoplamiento, suelte los brazos de la mordaza.

No cuelgue el conjunto de mordazas del acoplamiento ya que la selladora podría caerse inesperadamente y causar lesiones graves o la muerte.



Figura 9 – Colocación de las mordazas para que encierren el acoplamiento



Figura 10 – Colocación correcta de las mordazas

4. Confirme que las mordazas estén bien colocadas y perpendiculares al acoplamiento (Figura 10). Mantenga los dedos y las manos apartados de las mordazas para evitar que sean aplastados por las mordazas o entre las mordazas y otras piezas.

Oprima el interruptor de operación (Figura 1). Una vez iniciado el ciclo de sellado y cuando los rodillos hacen contacto con los brazos de las mordazas, la selladora se enclava y automáticamente completa el ciclo. Aunque el operario suelte el interruptor, la selladora no se detendrá una vez iniciado el ciclo. Esto asegura la integridad de juntas herméticas, en forma uniforme y reproducible.

Si debe retirar la selladora antes de completar la conexión, oprima el botón de liberación de presión (Figura 1). Cada vez que oprima el botón de liberación de presión, significa que NO se ha completado la selladura y la conexión debe volver a sellarse. Si la herramienta funciona mal durante la operación, use este procedimiento. En caso de emergencia, suelte el interruptor de operación y oprima el botón de liberación de presión.

5. Suelte el interruptor de operación.
6. Apriete los brazos de las mordazas para abrirlas.
7. Desmonte las mordazas del acoplamiento. No toque los bordes filosos que podrían haberse formado en el acoplamiento durante la operación de sellado.
8. Cuando complete la operación, oprima el botón de encendido y apagado una sola vez para apagar la selladora. Extraiga la batería de la máquina.

Selladura de un acoplamiento con un accionador y aro sellador tradicionales

1. Abra el aro sellador y móntelo para que encierre el acoplamiento. El aro sellador debe quedar alineado con el contorno del acoplamiento según las *Instrucciones de instalación del fabricante del acoplamiento*. Suelte el aro para que se cierre alrededor del acoplamiento.
2. Confirme que la selladora tenga instalado el accionador apropiado. Apriete los brazos del accionador para abrir las puntas. Las puntas del accionador deben estar alineadas con las cavidades del aro sellador. Suelte los brazos del accionador y encaje bien las puntas del accionador en las cavidades del aro sellador (Figura 12). Si las puntas están mal alineadas con respecto a las cavidades, se puede dañar el aro o el accionador durante el ciclo de sellado. No permita que la selladora y el accionador cuelguen del aro sellador. La selladora podría caerse inesperadamente y causar lesiones graves o la muerte.

3. Confirme que el aro esté bien colocado y perpendicular al acoplamiento. Mantenga los dedos y manos alejados del accionador y del aro para evitar lesiones por quedar aplastados en el accesorio o entre el accesorio y otras piezas.

Oprima el interruptor de operación. Una vez iniciado el ciclo de sellado, cuando los rodillos hacen contacto con los brazos de las mordazas, la selladora se enclava y automáticamente completa el ciclo. Aunque el operario suelte el interruptor, la selladora una vez enclavada ya no se detendrá. Esto asegura la integridad de juntas herméticas, de manera uniforme y reproducible.

4. Si debe retirar la selladora antes de completar la conexión, oprima el botón de liberación de presión (Figura 1). Cada vez que oprima el botón de liberación de presión, significa que NO se ha completado la selladura y la conexión debe volver a sellarse. Si la herramienta funciona mal durante la operación, use este procedimiento. En caso de emergencia, suelte el interruptor de operación y oprima el botón de liberación de presión.



Figura 11 – Colocación del aro sellador en el acoplamiento



Figura 12 – Conexión del accionador al aro sellador

5. Suelte el interruptor de operación.
6. Apriete los brazos del accionador para abrirlo. Extraiga el accionador del acoplamiento.
7. Extraiga el aro sellador del acoplamiento. No toque los bordes filosos que podrían haberse formado en el acoplamiento durante la operación de sellado.
8. Cuando complete la operación, oprima el botón de encendido y apagado una sola vez para apagar la selladora. Extraiga la batería de la máquina.

Inspección de la junta sellada

1. Inspeccione el acoplamiento sellado y verifique que:
 - El tubo está completamente insertado en el acoplamiento.
 - Los tubos no están demasiado mal alineados. Un alineamiento ligeramente defectuoso en la conexión se considera normal.
 - El accesorio no está mal alineado con el contorno del acoplamiento y el acoplamiento no está distorsionado o deforme.
 - No existe ningún otro problema, según el fabricante del acoplamiento. Esto podría incluir la eliminación de un anillo de control o calcomanía (usada para indicar que la conexión todavía no se ha sellado).

Si encuentra cualquier problema, extraiga el acoplamiento e instale una nueva conexión.
2. Someta el sistema a prueba según las instrucciones del fabricante del acoplamiento, las prácticas normales y los códigos vigentes.

Almacenamiento

Extraiga la batería de la selladora. Guarde la selladora y la batería en el maletín. Evite almacenarlas en ambientes muy calurosos o muy fríos. La selladora no se encenderá si la temperatura está fuera de los límites especificados. Este problema lo indican las luces de estado de la herramienta (vea la Figura 5).

⚠ ADVERTENCIA Almacene la selladora en un lugar seco y resguardado, bajo llave, fuera del alcance de niños y de personas que no estén familiarizadas con las selladoras. El aparato es peligroso en manos de personas no capacitadas para utilizarlo.

Instrucciones de mantenimiento

⚠ ADVERTENCIA
Asegure que se haya quitado la batería de la selladora antes de efectuarle mantenimiento o hacer ajustes.

Limpieza y lubricación

1. Diariamente limpie la selladora con un paño limpio y seco.
2. Inspeccione el pasador de montaje de accesorios y lubríquelo con un lubricante de silicona cuando sea necesario.
3. Revise los resortes de retorno en los accesorios cada vez que se usen. Debe ser posible abrir y cerrar los accesorios fácilmente ejerciendo fuerza moderada con los dedos.

Servicio exigido en servicentros RIDGID independientes autorizados

Para asegurar el buen funcionamiento de la selladora RP 342-XL, a intervalos fijos debe someterse a servicio en un servicentro RIDGID independiente y autorizado. La necesidad de servicio se indica mediante una luz de estado de la selladora (vea la Figura 5).

Servicio y reparaciones

⚠ ADVERTENCIA

Es peligroso hacer funcionar una selladora que ha recibido un servicio inapropiado o una mala reparación.

El servicio o reparación de la selladora RP 342-XL debe efectuarse en un servicentro RIDGID independiente y autorizado para selladoras.

Si necesita información sobre el servicentro autorizado independiente RIDGID más cercano o si tiene alguna pregunta acerca del servicio o reparaciones, vea la sección *Información de contacto* en este manual.

Resolución de problemas

SÍNTOMA	POSIBLES RAZONES	SOLUCIÓN
La selladora no se enciende cuando se oprime el botón de encendido y apagado.	La batería está completamente descargada o ha fallado. La batería no está bien encajada en el mango de la selladora.	Introduzca una batería completamente cargada o vuelva a cargar la batería agotada. Verifique que la batería esté bien insertada.
El accesorio está trabado con el acoplamiento.	No se completó bien la selladura.	Oprima el botón de liberación de presión para separar las mordazas del acoplamiento. Inspeccione y repita la selladura.
Las conexiones producidas no quedan completamente selladas.	Se ha usado un accesorio equivocado para ese tamaño de tubo o para el material. La selladora no estaba perpendicular al tubo. El contorno de las mordazas no estaba alineado con el contorno del acoplamiento. La selladora debe repararse.	Instale el accesorio correcto. Vuelva a trabajar la conexión con un nuevo acoplamiento y un nuevo tubo. Asegure que la selladora forme un ángulo recto con el tubo. Vuelva a trabajar la conexión con un nuevo acoplamiento y un nuevo tubo. Asegure que el contorno de las mordazas esté alineado con el contorno del acoplamiento. Vea <i>Información de contacto</i> para encontrar el servicentro independiente autorizado de RIDGID más cercano.
La selladora tiene una fuga de aceite.	Hay problemas de sello o problemas mecánicos.	
El motor funciona pero la selladora no completa su ciclo.	El nivel de aceite está bajo.	Vea <i>Información de contacto</i> para encontrar el servicentro independiente autorizado de RIDGID más cercano.
La selladora se detiene durante la operación.	El nivel de aceite está bajo.	

Vea la Figura 5 - Luces de estado de la selladora

Equipos opcionales

⚠ ADVERTENCIA

Con el fin de evitar lesiones graves, emplee únicamente los equipos específicamente diseñados y recomendados para usarse con la selladora RP 342-XL, como los que se listan a continuación.

Baterías y adaptadores

N° Cat.	Descripción
56513	Batería RB-1825 de ion litio de 18 V y 2,5 Ah
56518	Batería RB-1850 de ion litio de 18 V y 5,0 Ah
44468	Adaptador de CA de 120 - Norteamérica

Chargers and Cords

N° Cat.		Región	Tipo de enchufe
64383	Cargador RBC-30	Norteamérica	A
64173	Cordón del cargador RBC-30	Norteamérica	A

Ridge Tool Company proporciona accesorios de sellado de la serie Standard diseñados específicamente para usar con selladoras RIDGID de la serie Standard. Use solamente accesorios diseñados específicamente para enganazar el sistema de acoplamiento que desee instalar.

Vea la lista completa de equipos RIDGID disponibles para estas herramientas en el catálogo de Ridge Tool en línea en RIDGID.com o vea la *Información de contacto*.

Eliminación

Algunas piezas de estas herramientas contienen materiales valiosos y se pueden reciclar. Hay compañías locales que se especializan en reciclaje. Deseche los componentes de acuerdo con todos los reglamentos vigentes. Para más información, comuníquese con la agencia local de eliminación de desechos.



Para los países de la Comunidad Europea:
¡No deseche equipos eléctricos en la basura común!

De acuerdo con el Lineamiento Europeo 2012/19/EU para Desechos de Equipos Eléctricos y Electrónicos y su implementación en la legislación nacional, los equipos eléctricos inservibles deben desecharse por separado en una forma que cumpla con las normas del medio ambiente.

Compatibilidad electromagnética (CEM)

El término compatibilidad electromagnética significa la capacidad del aparato de funcionar sin problemas en un entorno donde hay radiaciones electromagnéticas y descargas electrostáticas, y sin causar interferencia electromagnética en otros equipos.

AVISO Estas máquinas se ajustan a todas las normas CEM correspondientes. Sin embargo, no puede excluirse la posibilidad de que causen interferencias en otros aparatos. Todas las normas con respecto a CEM que se han probado están indicadas en el documento técnico del aparato.

RIDGID® RP 342-XL Press Tool**MANUFACTURER**

RIDGE TOOL COMPANY
400 Clark Street
Elyria, Ohio 44035-6001
U.S.A.
RTCRegulatory.Compliance@Emerson.com

EU DECLARATION OF CONFORMITY

We declare that the machines listed above, when used in accordance with the operator's manual, meet the relevant requirements of the Directives and Standards listed below.

DÉCLARATION DE CONFORMITÉ UE

Nous déclarons que lorsqu'elles sont utilisées selon leur mode d'emploi, les machines indiquées ci-dessus répondent aux exigences applicables des directives et normes ci-après.

DECLARACIÓN DE CONFORMIDAD DE LA UE

Declaramos que las máquinas listadas más arriba, cuando se usan conforme al manual del operario, cumplen con los requisitos pertinentes de las directrices y normas listadas a continuación.

PROHLÁŠENÍ O SHODĚ UE

Prohlašujeme, že výše uvedené nástroje a zařízení splňují při použití v souladu s jejich návodem k obsluze příslušné požadavky níže uvedených směrnic a nariadení.

EU-OVERENSSTEMMELSESERKLÆRING

Vi erklærer, at de ovenfor anførte maskiner, ved brug i overensstemmelse med brugervejledningen, opfylder de relevante krav i de nedenfor anførte direktiver og standarder.

EU-KONFORMITÄTSEKTLÄRUNG

Wir erklären, dass die oben aufgeführten Maschinen, wenn sie entsprechend der Bedienungsanleitung verwendet werden, die einschlägigen Anforderungen der folgenden Richtlinien und Normen erfüllen.

ΔΗΛΩΣΗ ΣΥΜΜΟΡΦΩΣΗΣ ΕΥ

Δηλώνουμε ότι τα μηχανήματα που αναφέρονται παραπάνω, όταν χρησιμοποιούνται σύμφωνα με το εγχειρίδιο χειρισμού, πληρούν τις σχετικές απαιτήσεις των παρακάτω Οδηγιών και Προτύπων.

EU-VAATIMUSTENMUKAISUUSVAKUUTUS

Vakuutamme, että edellä luetellut koneet täyttävät käyttöohjekirjan mukaisesti käytettynä seuraavien direktiivien ja standardien vaatimukset.

EZ IZJAVA O SUKLADNOSTI

Izjavljujemo da su gore navedeni strojevi, kada se koriste u skladu s priručnikom za korisnike, sukladni s relevantnim zahtjevima dolje navedenih direktiva i standarda.

EU MEGFELELŐSÉGI NYILATKOZAT

Kijelentjük, hogy a fent felsorolt gépek - amennyiben a kezelési útmutatónak megfelelően használik őket - megfelelnek az alább felsorolt Irányelvek és Szabványok követelményeinek.

DICHIARAZIONE DI CONFORMITÀ EU

Dichiariamo che le macchine elencate in alto, se utilizzate in conformità con il manuale dell'operatore, soddisfano i relativi requisiti delle Direttive e degli Standard specificati di seguito.

EO СӘЙКЕСТІК МӘЛІМДЕМЕСІ

Біз жоғарыда көрсетілген құрылғылардың пайдаланушы нұсқаулығына сәйкес пайдаланылған жағдайда төменде көрсетілген Директивалар мен Стандарттардың тиісті талаптарына жауап беретінін мәлімдейміз.

EU-CONFORMITEITSVERKLARING

Hierbij verklaren wij dat de hierboven vermelde machines, mits gebruikt in overeenstemming met de handleiding, voldoen aan de relevante eisen van de hieronder vermelde richtlijnen en normen.

EU-SAMSVARERKLÆRING

Vi erklærer at maskinene oppført over oppfyller de relevante kravene i direktiver og standarder oppført under dersom de brukes i henhold til bruksanvisningen.

AUTHORIZED REPRESENTATIVE

Ridge Tool Europe NV
Ondernemerslaan 5428
3800 Sint-Truiden, Belgium
europeproductcompliance@emerson.com
+40 374132035

DEKLARACJA ZGODNOŚCI UE

Deklarujemy, że maszyny wymienione powyżej, gdy są używane zgodnie z podręcznikiem użytkownika, spełniają właściwe wymagania Dyrektyw i Standardów, wymienione poniżej.

DECLARAÇÃO DE CONFORMIDADE UE

Declaramos que as máquinas listadas acima, quando utilizadas de acordo com o manual do operador, cumprem os requisitos relevantes das Diretivas e Normas listadas abaixo.

DECLARAȚIE DE CONFORMITATE UE

Declarăm că mașina specificată mai jos, atunci când este utilizată în conformitate cu manualul de exploatare, îndeplinește cerințele relevante ale Directivelor și standardelor specificate mai jos.

ДЕКЛАРАЦИЯ СООТВЕТСТВИЯ ЕС

Мы заявляем, что инструменты, перечисленные выше, при условии использования согласно руководству по эксплуатации, отвечают соответствующим требованиям указанных ниже директив и стандартов.

EÚ PREHLÁSENIE O ZHODE

Vyhlasujeme, že stroje uvedené vyššie spĺňajú relevantné požiadavky smerníc a noriem uvedených nižšie, ak sa používajú podľa návodu na použitie.

IZJAVA EU O SKLADNOSTI

Izjavljamo, da zgoraj omenjeni stroji, ko se uporabljajo skladno z uporabniškim priročnikom, izpolnjujejo relevantne zahteve spodaj omenjenih direktiv in standardov.

EU DEKLARACIJA O USAGLAŠENOSTI

Izjavljujemo da gore navedeni strojevi, ako se koriste u skladu s priručnikom za korisnike, zadovoljavaju relevantne zahteve direktiva i standarda koji se navode dole.

EU-FÖRSÄKRAN OM ÖVERENSSTÄMMELSE

Vi meddelar att maskinen som anges ovan uppfyller de aktuella kraven i de angivna direktiven och standarderna nedan när den används enligt bruk-sanvisningen.

AB UYGUNLUK BEYANI

Yukarıda listelenen makinelerin, kullanıcı kılavuzuna göre kullanıldığında, aşağıda listelenen Direktiflerin ve Standartların ilgili gereksinimlerini karşıladığını beyan ederiz.

ELI VASTAVUSDEKLARATSIOON

Kinnitame, et eelpool loetletud masinad vastavad allpool loetletud direktiivide ja standardite asjakohastele nõuetele, kui neid kasutatakse vastavalt kasutusjuhendile.

ES ATBILSTĪBAS DEKLARĀCIJA

Mēs apliecinām, ka iepriekšminētās iekārtas, izmantojot tās saskaņā ar operatora rokasgrāmatu, atbilst attiecīgajām tālāk norādīto direktīvu un standartu prasībām.

ES ATITIKTIES DEKLARACIJA

Deklaruojame, kad pirmiau išvardytos mašinos, jei naudojamos pagal naudotojo vadovą, atitinka atitinkamus toliau išvardytą direktivų ir standartų reikalavimus.

ЕС ДЕКЛАРАЦИЯ ЗА СЪОТВЕТСТВИЕ

Декларираме, че изброените по-горе машини, когато се използват в съответствие с Ръководство за оператора, отговарят на съответните изисквания на директивите и стандартите, изброени по-долу.



2006/42/EC, 2014/30/EU, 2015/863/EU
IEC 62841-1, EN 61000-6-1, EN 61000-6-3



010237
Conforms to UL 62841-1
Certified to CSA C22.2#62841-1



Signature:
Name: Harald Krondorfer
Qualification: V.P. Engineering
Date: 2/01/2024

What is covered

RIDGID® tools are warranted to be free of defects in workmanship and material.

How long coverage lasts

This warranty lasts for the lifetime of the RIDGID® tool. Warranty coverage ends when the product becomes unusable for reasons other than defects in workmanship or material.

How you can get service

To obtain the benefit of this warranty, deliver via prepaid transportation the complete product to RIDGID c/o Emerson Professional Tools, LLC in, Elyria, Ohio, or any RIDGID® AUTHORIZED INDEPENDENT SERVICE CENTER. Pipe wrenches and other hand tools should be returned to the place of purchase.

What we will do to correct problems

Warranted products will be repaired or replaced, at RIDGID's option, and returned at no charge; or, if after three attempts to repair or replace during the warranty period the product is still defective, you can elect to receive a full refund of your purchase price.

What is not covered

Failures due to misuse, abuse or normal wear and tear are not covered by this warranty. Seller is not responsible for any incidental or consequential damages.

How local law relates to the warranty

Some states do not allow the exclusion or limitation of incidental or consequential damages, so the above limitation or exclusion may not apply to you. This warranty gives you specific rights, and you may also have other rights, which vary, from state to state, province to province, or country to country.

No other express warranty applies

This FULL LIFETIME WARRANTY is the sole and exclusive warranty for RIDGID® products. No employee, agent, dealer, or other person is authorized to alter this warranty or make any other warranty on behalf of the RIDGE TOOL COMPANY.

To obtain further warranty information on your product please visit www.RIDGID.com/us/en/warranty



FULL LIFETIME WARRANTY (garantie légale étendue à la durée de vie du produit, voir conditions de garantie / legal warranty extended to the product lifecycle, see warranty conditions)

Parts are available online at Store.RIDGID.com

RIDGID**Emerson Professional Tools, LCC**

400 Clark Street

Elyria, Ohio 44035-6001

U.S.A.

Ce qui est couvert

Les outils RIDGID® sont garantis contre tous vices de matériaux et de main d'oeuvre.

Durée de couverture

Cette garantie est applicable durant la vie entière de l'outil RIDGID®. La couverture cesse dès lors que le produit devient inutilisable pour raisons autres que des vices de matériaux ou de main d'oeuvre.

Pour invoquer la garantie

Pour toutes réparations au titre de la garantie, il convient d'expédier le produit complet en port payé à la RIDGID c/o Emerson Professional Tools, LLC in (Elyria, Ohio) ou bien le remettre à un réparateur RIDGID® indépendant agréé. Les clés à pipe et autres outils à main doivent être ramenés au lieu d'achat.

Ce que nous ferons pour résoudre le problème

Les produits sous garantie seront à la discrétion de RIDGID, soit réparés ou remplacés, puis réexpédiés gratuitement ; ou si, après trois tentatives de réparation ou de remplacement durant la période de validité de la garantie le produit s'avère toujours défectueux, vous aurez l'option de demander le remboursement intégral de son prix d'achat.

Ce qui n'est pas couvert

Les défaillances dues au mauvais emploi, à l'abus ou à l'usure normale ne sont pas couvertes par cette garantie. Le vendeur ne sera tenu responsable d'aucuns dommages directs ou indirects.

L'influence de la législation locale sur la garantie

Puisque certaines législations locales interdisent l'exclusion des dommages directs ou indirects, il se peut que la limitation ou exclusion ci-dessus ne vous soit pas applicable. Cette garantie vous donne des droits spécifiques qui peuvent être éventuellement complétés par d'autres droits prévus par votre législation locale.

Il n'existe aucune autre garantie expresse

Cette GARANTIE PERPETUELLE INTEGRALE est la seule et unique garantie couvrant les produits RIDGID®. Aucun employé, agent, distributeur ou tiers n'est autorisé à modifier cette garantie ou à offrir une garantie supplémentaire au nom de la RIDGE TOOL COMPANY.

Qué cubre

Las herramientas RIDGID® están garantizadas contra defectos de la mano de obra y de los materiales empleados en su fabricación.

Duración de la cobertura

Esta garantía cubre a la herramienta RIDGID® durante toda su vida útil. La cobertura de la garantía caduca cuando el producto se torna inservible por razones distintas a las de defectos en la mano de obra o en los materiales.

Cómo obtener servicio

Para obtener los beneficios de esta garantía, envíe mediante porte pagado, la totalidad del producto a RIDGID c/o Emerson Professional Tools, LLC in, Elyria, Ohio, o a cualquier servicentro independiente autorizado de RIDGID®. Las llaves para tubos y demás herramientas de mano deben devolverse a la tienda donde se adquirieron.

Lo que hacemos para corregir el problema

El producto bajo garantía será reparado o reemplazado por otro, a discreción de RIDGID, y devuelto sin costo; o, si aún resulta defectuoso después de haber sido reparado o sustituido tres veces durante el período de su garantía, Ud. puede optar por recibir un reembolso por el valor total de su compra.

Lo que no está cubierto

Esta garantía no cubre fallas debido al mal uso, abuso o desgaste normal. El vendedor no se hace responsable de daño incidental o consiguiente alguno.

Relación entre la garantía y las leyes locales

Algunos estados de los EE.UU. no permiten la exclusión o restricción referente a daños incidentales o consiguientes. Por lo tanto, puede que la limitación o restricción mencionada anteriormente no rija para Ud. Esta garantía le otorga derechos específicos, y puede que, además, Ud tenga otros derechos, los cuales varían de estado a estado, provincia a provincia o país a país.

No rige ninguna otra garantía expresa

Esta GARANTIA VITALICIA es la única y exclusiva garantía para los productos RIDGID®. Ningún empleado, agente, distribuidor u otra persona está autorizado para modificar esta garantía u ofrecer cualquier otra garantía en nombre de RIDGE TOOL COMPANY.