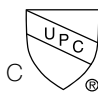

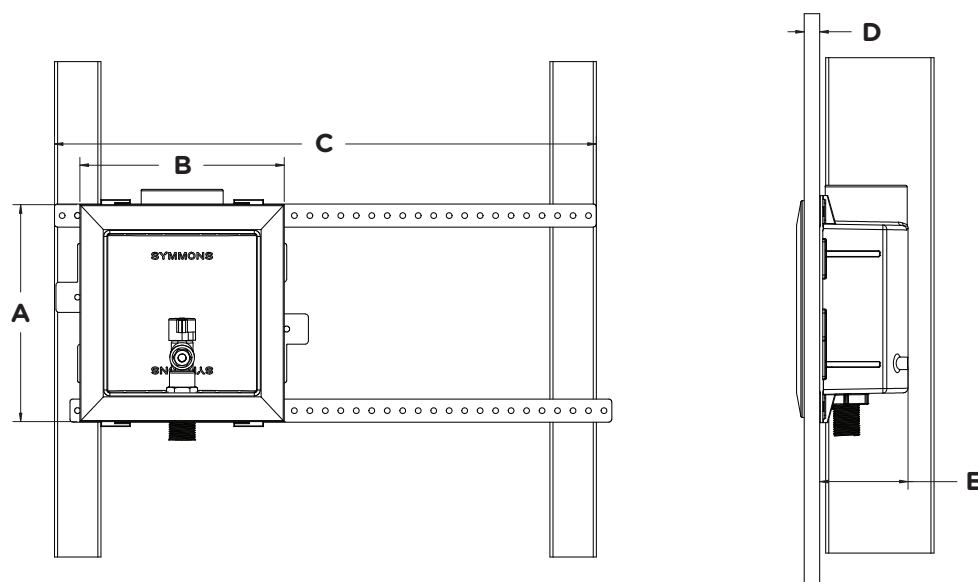


IM600
IceMate™ Valve
Operation & Maintenance Manual

Model Numbers	Feature Highlights
<input type="checkbox"/> IM600 <i>IceMate™ Supply Box with Valve</i>	<ul style="list-style-type: none"> • Installation straps for 16" O.C. stud mounting or direct-to-stud mounting. • Ice Maker Valve. • 1/2-14 NPSM with 1/2" Sweat Inlets 1/4" Outlet. • Valve can be installed as bottom or top supply. • Accommodates 1 layer of 1/2" drywall up to 2 layers of 5/8" drywall. • Mounting straps.
Options/Modifications	
<input type="checkbox"/> A <i>Water Hammer Arrestor Size AA</i> <input type="checkbox"/> P1 <i>Crimp PEX</i> <input type="checkbox"/> P2 <i>Cold Expansion PEX</i>	
<p>Note: Append appropriate -suffix to model number.</p>	Warranty
Compliance - ASME A112.18.1/CSA B125.1 - NSF 61.9, NSF 372 - ASSE 1010 (IM600A only) 	<p>Limited Lifetime - to the original end purchaser in consumer/residential installations. 10 Years - for commercial/industrial installations. Refer to www.symmons.com/warranty for complete warranty information.</p> 

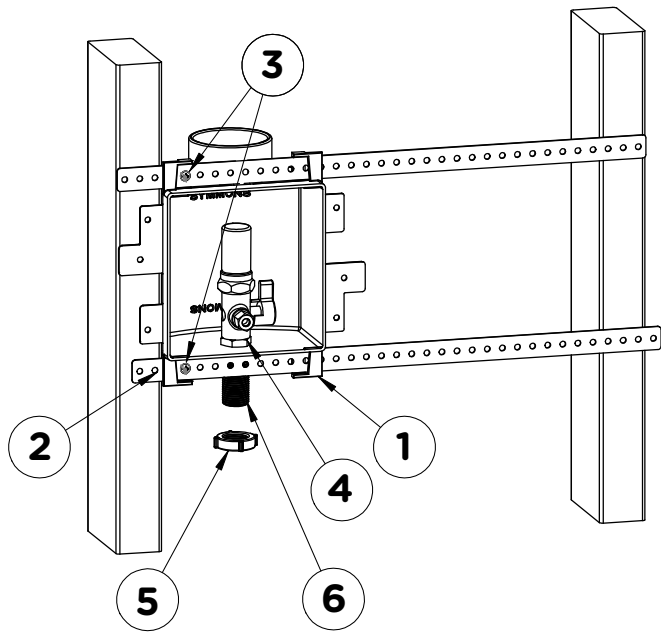
Dimensions



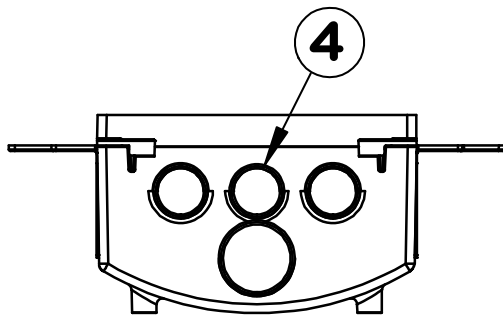
Measurements	
A	7", 178 mm
B	6-5/8", 168 mm
C	17-1/2", 445 mm
D	Min. 1/2", 13 mm Max. 1-1/4", 32 mm
E	2-7/8", 72 mm

Note: Dimensions subject to change without notice.

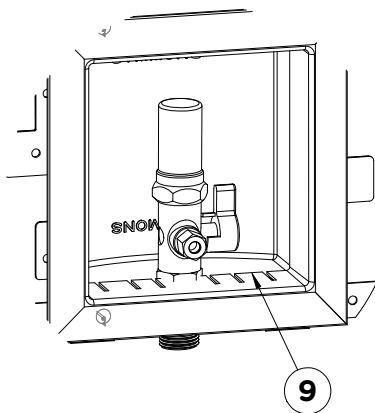
Installation



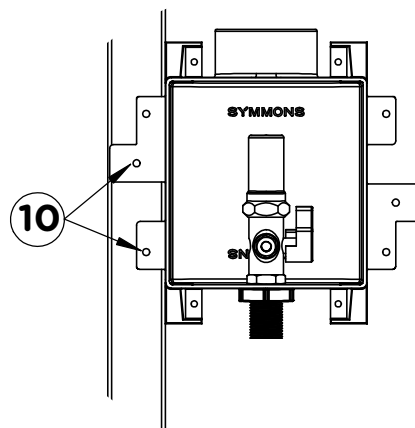
Section A



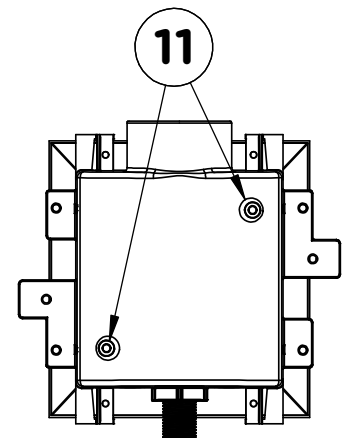
Section B



Section C



Section D



Section E

Section A: (Steps 1-7)

1. Slide straps in mounting tabs
2. Attach strap to studs with user provided screws
3. Insert provided screws through tabs to secure box in place

Section B: (Step 4)

4. Knockout inside hole of supply box for water supply
5. Secure valve to box with supplied nut
6. Connect supplies to valves with either:
 - a. Sweat connect
 - b. P1 Option - Crimp PEX or P2 Option - Cold Expansion PEX
7. Check for leaks

Section C (Steps 8 & 9)

8. Complete finish wall
9. Press on covers
 - a. If finish wall is 1/2" thick, break tabs from cover off
 - b. If 2 layers of 5/8" drywall leave tabs on

Section D (Step 10)

Direct Stud Installation:

10. Mount box on adjacent side of wall stud with provided tabs

Section E (Step 11)

Surface Mount Installation:

11. Drill holes out of box and use user provided screws to attach to wall