

Air Conditioners

SVZ-KP12,18, 24, 30, 36NA

INSTALLATION MANUAL

FOR INSTALLER

For safe and correct use, please read this installation manual thoroughly before installing the air-conditioner unit.

En

MANUEL D'INSTALLATION

POUR L'INSTALLATEUR

Veillez lire le manuel d'installation en entier avant d'installer ce climatiseur pour éviter tout accident et vous assurer d'une utilisation correcte.

Fr

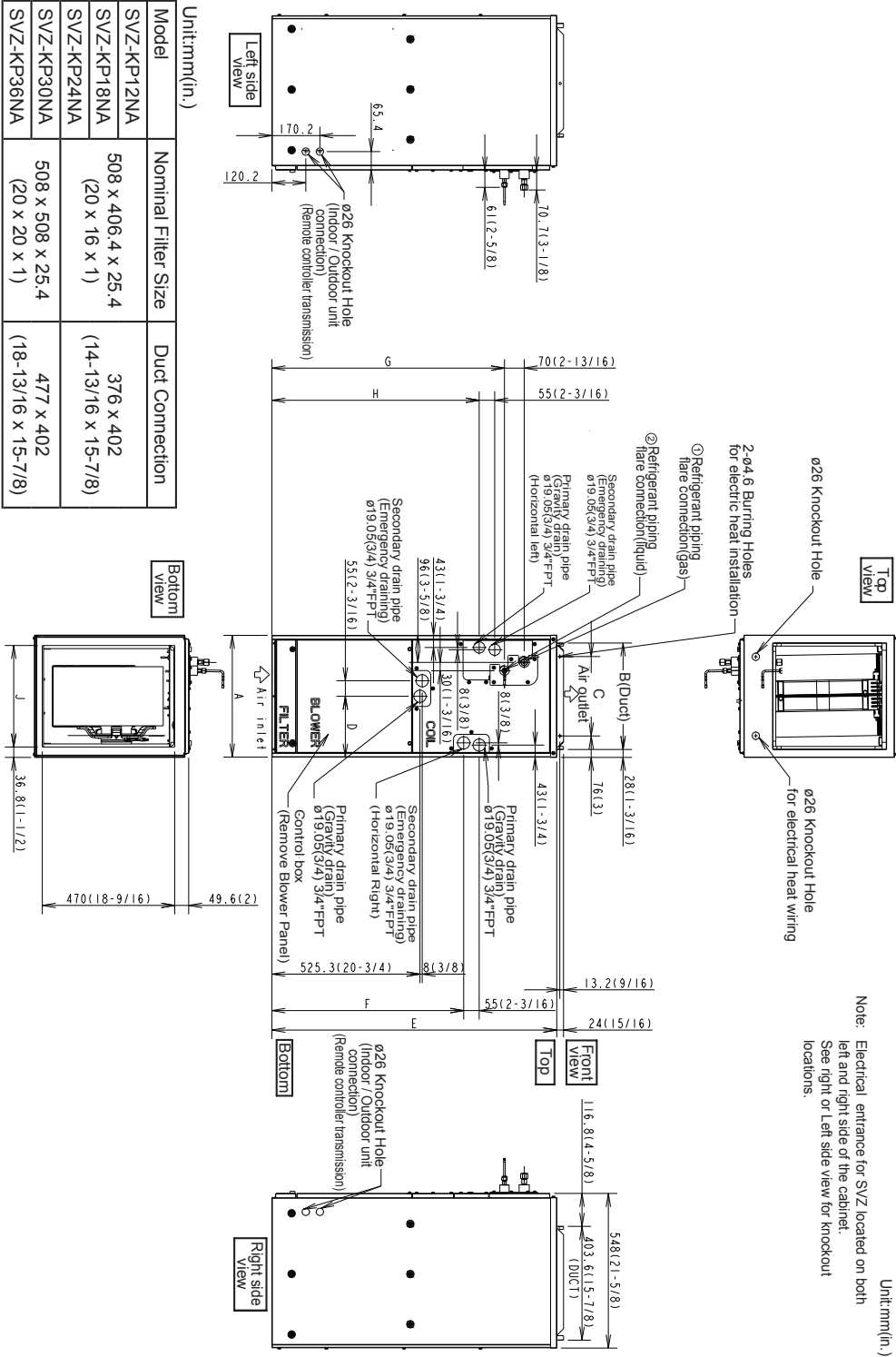


Table of Contents

SVZ-KP12,18, 24, 30, 36NA	4
1. Dimensions	4
2. Inspect shipment	5
3. Safety precautions	6
3.1. Before installation and electric work	6
Symbols used in the text	6
3.2. Precautions for devices that use R410A refrigerant	9
3.3. Before getting started	10
3.4. Before getting installed (moved)-electrical work	11
3.5. Before starting the test run	12
4. Indoor unit accessories	13
5. Selecting an installation site	14
6. Combining indoor units with outdoor units	15
7. Installing the unit	16
8. Duct connection	17
9. Mount positions	18
9.1. Vertical installations	18
9.2. Horizontal right installations	18
9.3. Horizontal left installations	20
Horizontal Mounting	29
10. Air filter	30
11. Refrigerant piping work	31
11.1. Insulation	33
11.2. Piping size	33
12. Drain connections	34
13. Electrical wiring	37
13.1. Remote controllers	38
13.2. Connecting line voltage	40
Electrical Characteristics	41
13.3. Condensate overflow safety switch connection (CN4F)	42
13.4. Changing blower external static pressure	43
13.5. ERV (Energy Recovery Ventilation)	44
13.6. Humidifier	46
Humidistat:	47
14. Test run	48
14.1. Before test run	48
14.2. Test run	48
14.3. Self-check	49
[Output pattern A] Errors detected by indoor unit	49
[Output pattern B] Errors detected by unit other than indoor unit (outdoor unit, etc.)	49
14.4. AUTO RESTART FUNCTION	51
Indoor controller board	51
SVZ-KP12,18, 24, 30, 36NA	52
1. Dimensions	52
2. Inspection du matériel livré	53
3. Mesures de sécurité	54
3.1. Avant l'installation et les travaux électriques	54
Symboles utilisés dans le texte	54
3.2. Précautions pour les dispositifs qui utilisent du frigorigène R410A	57

3.3. Avant de commencer	58
3.4. Avant l'installation (déplacement) – travaux électriques	59
3.5. Avant de commencer l'essai	60
4. Accessoires de l'appareil intérieur	61
5. Sélection de l'emplacement d'installation	62
6. Combinaison des appareils intérieurs et extérieurs	63
7. Installation de l'appareil	64
8. Raccordement des conduits	65
9. Positions de montage	66
9.1. Installations verticales	66
9.2. Installation horizontale droite	66
9.3. Installations horizontales à gauche	68
Montage horizontal	77
10. Filtre à air	78
11. Travaux de tuyauterie de frigorigène	79
11.1. Isolation	81
11.2. Taille des tuyaux	81
12. Raccordements de vidange	82
13. Câblage électrique	85
13.1. Contrôleurs à distance	86
13.2. Raccordement de la tension d'alimentation	88
Caractéristiques électriques	89
13.3. Connexion de l'interrupteur antidébordement du condensat (CN4F)	90
13.4. Modification de la pression statique extérieure de la soufflante	91
13.5. Ventilation de récupération d'énergie (ERV)	92
13.6. Humidificateur	94
Humidistat:	95
14. Essai de fonctionnement	96
14.1. Avant l'essai de fonctionnement	96
14.2. Essai de fonctionnement	97
14.3. Autotest	97
[Modèle de sortie A] Erreurs détectées par l'appareil intérieur	97
[Modèle de sortie B] Erreurs détectées par un appareil autre que l'appareil intérieur (appareil extérieur, etc.)	97
14.4. FONCTION D'AUTOREDÉMARRAGE	99
Carte du contrôleur intérieur	99

1. Dimensions



Model	Nominal Filter Size	Duct Connection
SVZ-KP12NA	508 x 406.4 x 25.4 (20 x 16 x 1)	376 x 402 (14-13/16 x 15-7/8)
SVZ-KP18NA	508 x 508 x 25.4 (20 x 20 x 1)	477 x 402 (18-13/16 x 15-7/8)
SVZ-KP24NA		
SVZ-KP30NA	508 x 508 x 25.4 (20 x 20 x 1)	477 x 402 (18-13/16 x 15-7/8)
SVZ-KP36NA		

Model	A	B	C	D	E	F	G	H	J	Gas Pipe	Liquid pipe
SVZ-KP12NA	432	376	281	224	1,010.8	680	823	735.5	360	ø 9.52 (3/8)	ø 6.35 (1/4)
SVZ-KP18NA	(17)	(14-13/16)	(11-1/8)	(8-7/8)	(39-13/16)	(26-13/16)	(32-7/16)	(29)	(14-3/16)	ø 12.7 (1/2)	
SVZ-KP24NA	534	477	382.6	266.5	1,113.8	737	953.5	792	461	ø 15.88 (5/8)	ø 9.52 (3/8)
SVZ-KP30NA											
SVZ-KP36NA											

2. Inspect shipment

These air handlers are completely factory assembled, and all components are performance tested. Each unit consists of a blower assembly, refrigerant coil, and controls in an insulated, galvanized steel factory enclosure. Knockouts are provided for electrical wiring entrance. Check the unit rating plate to confirm specifications are as ordered. Upon receipt of equipment, carefully inspect it for possible damage. Take special care to examine the unit if the carton is damaged. If damage is found, it should be noted on the carrier's freight bill. Damage claims should be filed with the carrier immediately. Claims of shortages should be filed with the seller within 5 days.

3. Safety precautions

3.1. Before installation and electric work

Symbols used in the text

**WARNING**

Describes precautions that should be observed to prevent danger of injury or death to the user.

**CAUTION**

Describes precautions that should be observed to prevent damage to the unit.

**WARNING**

Carefully read the labels affixed to the main unit.

Before installing the unit, make sure you read all the “Safety precautions”. The “Safety precautions” provide very important points regarding safety. Make sure you follow them.



WARNING

- The unit must be installed by an authorized Dealer or properly trained technician.
 - Improper installation by the user may result in water leakage, electric shock, or fire.
- Install the air unit in a place that can withstand its weight.
 - Inadequate strength may cause the unit to fall down, resulting in injuries.
- Use the specified cables for wiring. Secure the connections so that the outside force of the cable is not applied to the terminals.
 - Inadequate connection and fastening may generate heat and cause a fire. Provide strain relief to wiring.
- Prepare for typhoons, hurricanes, earthquakes, etc., and install the unit at the specified place.
 - Improper installation may cause the unit to topple and result in injury.
- Never repair the unit. If the air conditioner must be repaired, consult the dealer.
 - If the unit is repaired improperly, water leakage, electric shock, or fire may result.
- Do not touch the heat exchanger fins.
 - Improper handling may result in injury.
- When handling the product, always wear protective equipment.
 - E.g.: Gloves, full arm protection, and safety glasses.
 - Improper handling may result in injury.
- Install the air conditioner according to this Installation Manual.
 - If the unit is installed improperly, water leakage, electric shock, or fire may result.
- Have all electric work done by a licensed electrician according to the “National Electrical code and local Electrical codes” and “Interior Wire Regulations” and the instructions given in this manual and always use a special circuit.
 - If the power source capacity is inadequate or electric work is performed improperly, electric shock and fire may result.
- Keep the electric parts away from water.
 - It might result in electric shock, catching fire or smoke.
- When cleaning the Heat Exchanger and Drain Pan, ensure the Control Box, Motor and LEV remain dry, water proof covering.
- When installing and moving the air conditioner to another site, do not charge it with a refrigerant different from the refrigerant specified on the unit.
 - If a different refrigerant or air is mixed with the original refrigerant, the refrigerant cycle may malfunction and the unit may be damaged.
- When moving and reinstalling the air conditioner, consult the dealer or an authorized technician.
 - If the air conditioner is installed improperly, water leakage, electric shock, or fire may result.
- Do not reconstruct or change the settings of the protection devices.
 - If the pressure switch, thermal switch, or other protection devices are shorted and operated forcibly, or parts other than those specified by Mitsubishi Electric are used, fire or explosion may result.
- To dispose of this product, consult your dealer.
- Do not use a leak detection additive.
- Always use an air cleaner, humidifier, electric heater, and other accessories specified by Mitsubishi Electric.
 - Ask an authorized technician to install the accessories. Improper installation by the user may result in water leakage, electric shock, or fire.
- If refrigerant gas leaks during installation work, ventilate the room.
 - If the refrigerant gas comes into contact with a flame, poisonous gases will be released.

- Securely install the outdoor unit terminal cover (panel).
 - If the terminal cover (panel) is not installed properly, dust or water may enter the outdoor unit and fire or electric shock may result.
- If the air conditioner is installed in a small room, measures must be taken to prevent the refrigerant concentration from exceeding the safety limit even if the refrigerant should leak.
 - Consult the dealer regarding the appropriate measures to prevent the safety limit from being exceeded. Should the refrigerant leak and cause the safety limit to be exceeded, hazards due to lack of oxygen in the room could result.
- After completing installation work, make sure that refrigerant gas is not leaking.
 - If the refrigerant gas leaks and is exposed to a fan heater, stove, oven, or other heat source, it may generate noxious gases.
- Children should not be allowed around the air conditioning equipment.
- The installer and system specialist shall ensure there is no refrigerant leakage according to local regulations and standards.
- Pay special attention to the location the unit is installed in. Refrigerant is heavier than air so locations such as basements or crawlspaces where refrigerant can accumulate can become dangerous.
- The appliance is not intended for use by persons (including children) with reduced physical, sensory or mental capabilities, or lack of experience and knowledge, unless they have been given supervision or instruction concerning use of the appliance by a person responsible for their safety.
- If the supply cord is damaged, it must be replaced by the manufacturer, its service agent or similarly qualified persons in order to avoid a hazard.
- Do not use refrigerant other than the type indicated in the manuals provided with the unit and on the nameplate.
 - Doing so may cause the unit or pipes to burst, or result in explosion of fire during use, during repair, or at the time of disposal of the unit.
 - It may also be in violation of applicable laws.
 - MITSUBISHI ELECTRIC CORPORATION cannot be held responsible for malfunctions or accidents resulting from wrong type of refrigerant used.

3.2. Precautions for devices that use R410A refrigerant



CAUTION

- Do not use the existing refrigerant piping.
 - The old refrigerant and refrigeration oil in the existing piping contains a large amount of chlorine which may cause the refrigerator oil of the new unit to deteriorate.
- Use refrigerant piping made of C1220 (Cu-DHP) phosphorus deoxidized copper as specified in the JIS H3300 “Copper and copper alloy seamless pipes and tubes”. In addition, be sure that the inner and outer surfaces of the pipes are clean and free of hazardous sulphur, oxides, dust/dirt, shaving particles, oils, moisture, or any other contaminants.
 - Contaminants on the inside of the refrigerant piping may cause the refrigerant residual oil to deteriorate.
- Store the piping to be used during installation indoors and keep both ends of the piping sealed until just before brazing. (Store elbows and other joints in a plastic bag.)
 - If dust, dirt, or water enters the refrigerant cycle, deterioration of the oil and compressor trouble may result.
- Use liquid refrigerant to fill the system.
 - If gas refrigerant is used to seal the system, the composition of the refrigerant in the cylinder will change and performance may drop.
- Do not use a refrigerant other than R410A.
 - If another refrigerant is used, the chlorine in the refrigerant may cause the refrigerator oil to deteriorate.
- Use a vacuum pump with a reverse flow check valve.
 - The vacuum pump oil may flow back into the refrigerant cycle and cause the refrigerator oil to deteriorate.
- Do not use the following tools that are used with conventional refrigerants.
 - Gauge manifold, charge hose, gas leak detector, reverse flow check valve, refrigerant charge base, vacuum gauge, refrigerant recovery equipment.
 - If the conventional refrigerant and refrigeration oil are mixed in the R410A, the refrigerant may deteriorate.
 - If water is mixed in the R410A, the refrigeration oil may deteriorate.
 - Since R410A does not contain any chlorine, gas leak detectors for conventional refrigerant will not react to it.
 - Do not use a charging cylinder. May cause the refrigerant to deteriorate.
- Be especially careful when managing the tools.
 - If dust, dirt, or water gets in the refrigeration system, the refrigerant may deteriorate.

3.3. Before getting started



CAUTION

- Do not install the unit where combustible gas may leak.
 - If the gas leaks and accumulates around the unit, an explosion may result.
- Do not use the air conditioner in special environments.
 - Oil, steam, sulfuric smoke, etc. can significantly reduce the performance of the air conditioner or damage its parts.
- When installing the unit in a hospital, communication station, or similar place, provide sufficient protection against noise.
 - The INVERTER equipment, private power generator, high-frequency medical equipment, or radio communication equipment may cause the air conditioner to operate erroneously, or fail to operate. On the other hand, the air conditioner may affect such equipment by creating noise that disturbs medical treatment of image broadcasting.
- Do not install the unit on a structure that may cause leakage.
 - When the room humidity exceeds 80% or when the drain pipe is clogged, condensation may drip from the indoor unit. Perform collective drainage work together with the outdoor unit, as required.
- When the ambient dew point temperature exceeds 75°F (24°C), dew condensation may occur on the unit surface. Perform appropriate treatment to avoid dew condensation.

3.4. Before getting installed (moved)-electrical work



CAUTION

- Ground the unit.
 - Do not connect the ground wire to gas or water pipes, lightning rods, or telephone ground lines. Improper grounding may result in electric shock.
- Install the power cable so that tension is not applied to the cable.
 - Tension may cause the cable to break and generate heat and cause a fire.
- Install a leak circuit breaker as required.
 - If a leak circuit breaker is not installed, electric shock may result. Use power line cables of sufficient current carrying capacity and rating. Cables that are too small may leak, generate heat, and cause a fire.
- Use power line cables of sufficient current carrying capacity and rating.
 - Cables that are too small may leak, generate heat, and cause a fire.
- Use only a circuit breaker and fuse of the specified capacity.
 - A fuse or circuit breaker of a larger capacity or a steel or copper wire may result in a general unit failure or fire.
- Do not wash the air conditioner units.
 - Washing them may cause an electric shock.
- Be careful that the installation base is not damaged by long use.
 - If the damage is left uncorrected, the unit may fall and cause personal injury or property damage.
- Install the drain piping according to this Installation Manual to ensure proper drainage. Wrap thermal insulation around the pipes to prevent condensation.
 - Improper drain piping may cause water leakage and damage to furniture and other possessions.
- Be very careful about product transportation.
 - If the product weighs more than 20 kg [44 lb], then more than one person should carry the product.
 - Some products use PP bands for packaging. Do not use any PP bands for a means of transportation; it is dangerous.
 - Do not touch the heat exchanger fins. Doing so may cut your fingers.
- Safely dispose of the packing materials.
 - Packing materials, such as nails and other metal or wooden parts, may cause stabs or other injuries.
 - Tear apart and throw away plastic packaging bags so that children will not play with them. If children play with a plastic bag which was not torn apart, they face the risk of suffocation.

3.5. Before starting the test run



CAUTION

- Turn on the power at least 12 hours before starting operation.
 - Starting operation immediately after turning on the main power switch can result in severe damage to internal parts. Keep the power switch turned on during the operational season.
- Do not touch the switches with wet fingers.
 - Touching a switch with wet fingers can cause electric shock.
- Do not touch the refrigerant pipes during and immediately after operation.
 - During and immediately after operation, the refrigerant pipes may be hot or may be cold, depending on the condition of the refrigerant flowing through the refrigerant piping, compressor, and other refrigerant cycle parts. Your hands may suffer burns or frostbite if you touch the refrigerant pipes.
- Do not operate the air conditioner with the panels and guards removed.
 - Rotating, hot, or high-voltage parts can cause injuries.
- Do not turn off the power immediately after stopping operation.
 - Always wait at least five minutes before turning off the power. Otherwise, water leakage and trouble may occur.

4. Indoor unit accessories

Part No.		Qty
1	Plastic tie	4
2	Plastic tube	2
3	Installation Manual	1
4	Operation Manual	1
5	Drain pan seal	2

5. Selecting an installation site

- Avoid locations exposed to outside air.
- Select a location free of obstructions to the airflow in and out of the unit.
- Avoid locations exposed to steam or vapor.
- Avoid locations where combustible gas may leak, settle, or be generated.
- Avoid installation near machines emitting high-frequency waves (high frequency welders, etc.).
- Avoid locations where the airflow is directed at a fire alarm sensor. (Hot air could trigger the alarm during operation.)
- Avoid places where acidic solutions are frequently used.
- Avoid places where sulphur-based or other sprays are commonly used.
- When the air handler is installed in the horizontal position please install a drain pan under entire cabinet.
- Install sufficient thermal insulation to prevent condensation from forming on the outlet and inlet ducts.

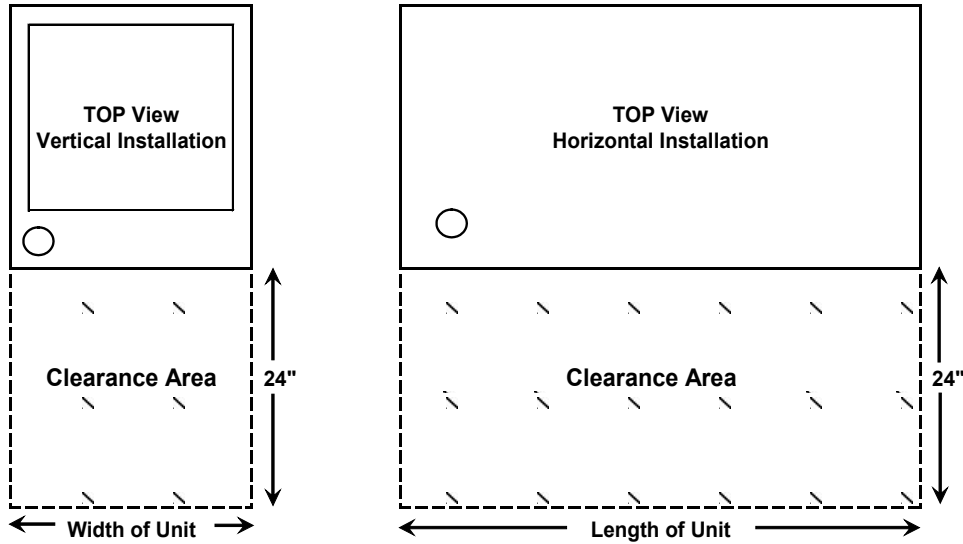
6. Combining indoor units with outdoor units

For combining indoor units with outdoor units, refer to the outdoor unit's Installation Manual.

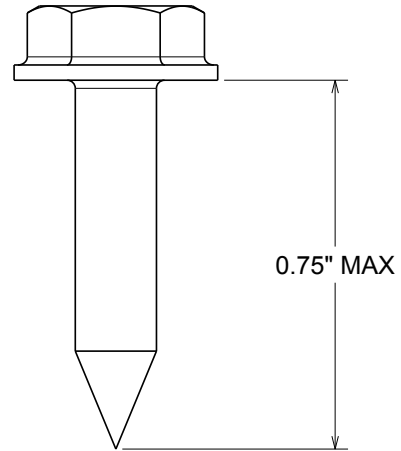
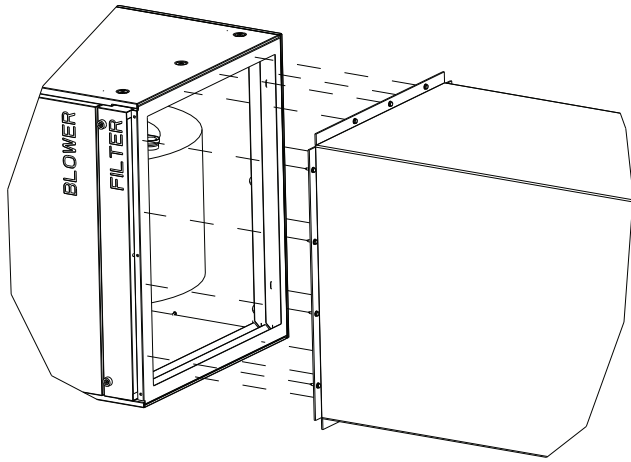
7. Installing the unit

The air handler can be installed in a vertical, horizontal (Right and Left) configuration as shown in step 9.1. through 9.3. The units are designed for “0” zero clearance to combustibles. 24 in. (610 mm) is required for service access to the front of the unit (see Installation Clearance). Regardless of mounting configuration, the air handler must be mounted level to facilitate proper condensate drainage.

Installation Clearance



8. Duct connection

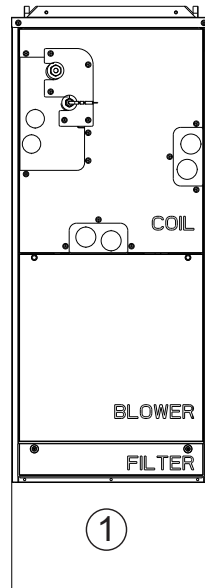


- See the outline drawing for the size of the duct connection.
- Use flanged ducts for connections to return.
- Do not use sheetmetal screws longer than 0.75" to secure any ductwork to the air handler

9. Mount positions

9.1. Vertical installations

The air handler must be supported on the bottom only and set on a solid floor with a return plenum below or field supplied supporting frame or plenum. Securely attach the air handler to the floor or supporting frame or plenum.

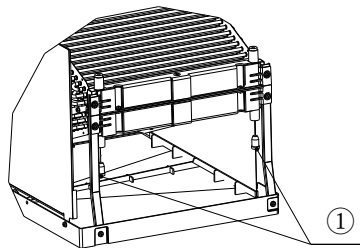


① Plenum

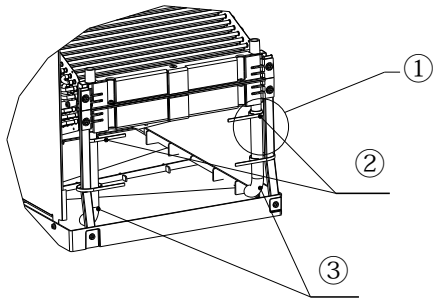
9.2. Horizontal right installations

Refer to section 9.3. Step 1 to 4 & 12 for removing the entire coil assembly from the air handler cabinet. This will require removing the Filter, Blower and Coil Panels along with the bracket(s) that secures the coil assembly. Be sure to disconnect the waterproof connector in order to remove the coil from the cabinet.

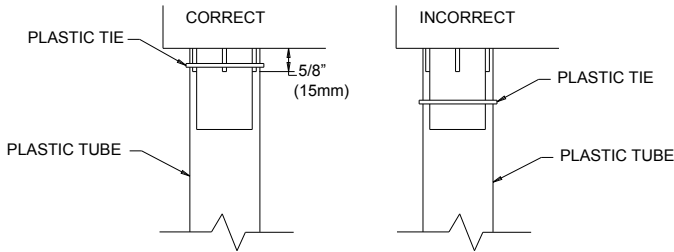
Once the coil is removed, the two clear plastic tubes included in the accessory bag will need to be attached to the top drain pan. First, remove the lower rubber plugs in the top drain pan. Next, install the clear plastic tubes which are included in the accessory bag. Ensure the plastic tubes drain into the pan. Also, be sure the clear plastic tubes do not have any restriction. Cutting of the plastic tube is required, please refer to the table for length. Finally, secure the clear plastic tubes to the top drain pan per Detail A then to the metal brackets supporting the coil to the top drain pan with the provided plastic ties as shown.



① Plugs



- ① DETAIL A
- ② Secure with plastic ties 2 per side
- ③ 2 Plastic tubes ensure tubes drain into pan



Model	Tube Length
SVZ-KP12, 18, 24	4.9 in. (125 mm)
SVZ-KP30, 36	6.9 in. (175 mm)

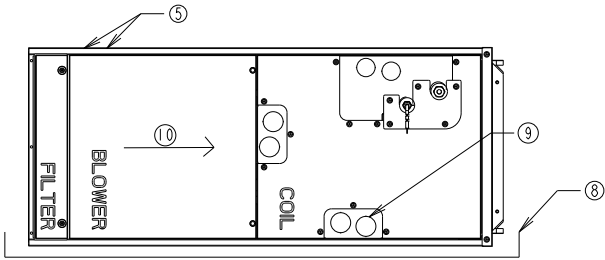
DETAIL A

Reinstall the coil assembly along with bracket(s) that secure(s) it. Failure to reinstall the brackets will result in capacity loss and condensation formation inside the cabinet. Reconnect the waterproof connector inside the coil section. Refer to 9.3. Step 1 to 4 in reverse order to reassemble the panels. Ensure the proper knockouts are removed for drainage and electrical connections.



NOTE

For Horizontal installation an auxiliary drain pan must be installed.



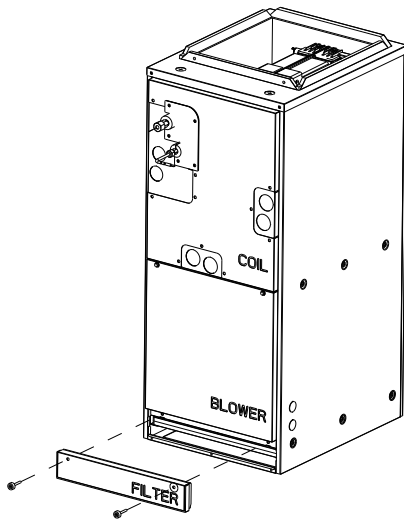
- ⑤ Electrical Knockouts
- ⑧ Auxiliary Drain Pan
- ⑨ Primary Drain 3/4" FPT
- ⑩ Airflow

Horizontal Right
Fan assembly rotation not required

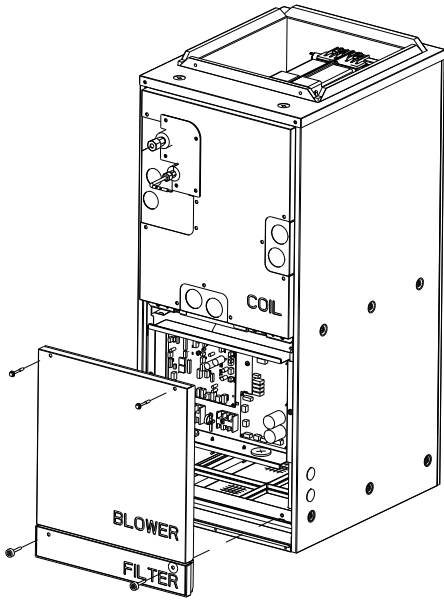
9.3. Horizontal left installations

For horizontal left installation the drain pan will need to be moved to the opposite side of the coil. This can be done by moving the two brackets and drain pan to the left of the coil. This way, the condensate that formed on the coil will fall in the drain pan. Also, the appropriate knockouts for the drains will need to be removed once the drain pan is in its correct position. In addition to relocating the side drain pan, the fan assembly will also need to be removed rotated 180° and reinstalled. The motor has to be closest to the ground. The two clear plastic tubes included in the accessory bag will also need to be attached to the top drain pan. See instructions below.

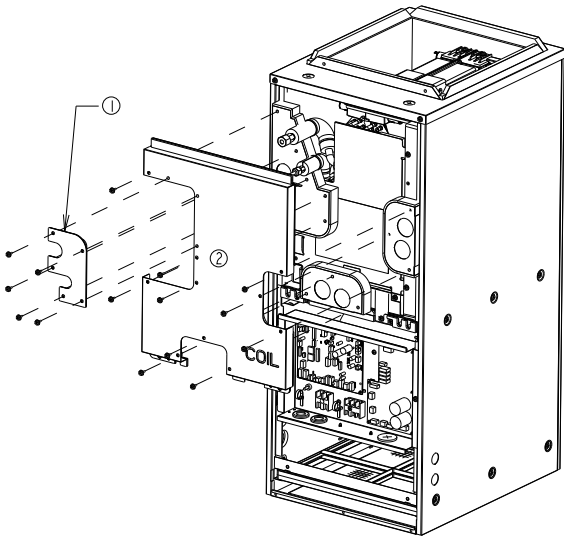
Directions for rotating fan for Horizontal Left Installation:



Step. 1 Remove the panel marked "FILTER".

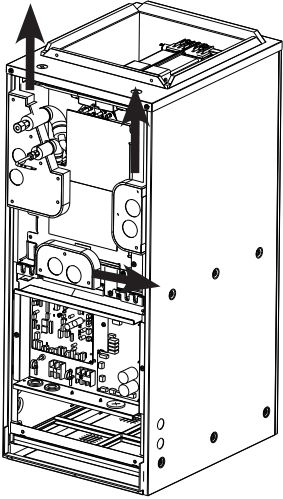


Step. 2 Remove the panel marked “BLOWER”.

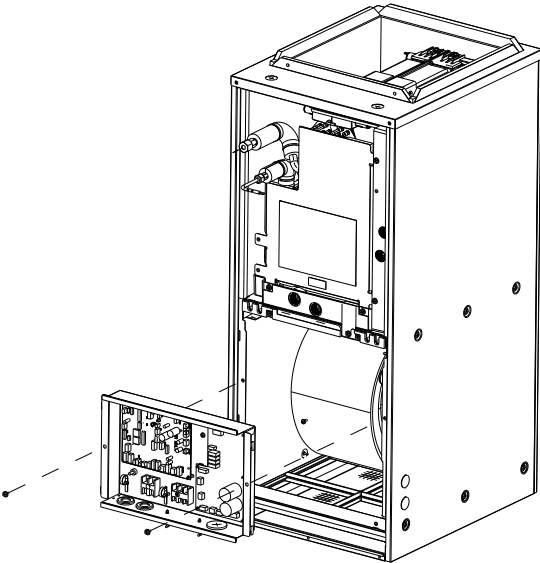


- ① 1st
- ② 2nd

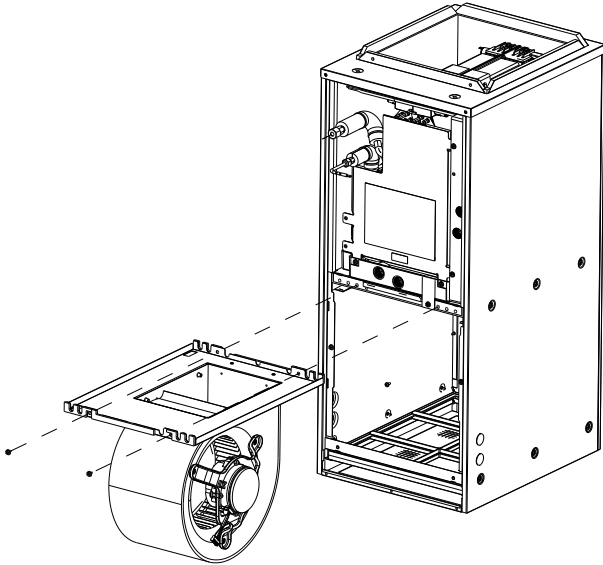
Step. 3a Remove the screws securing the (3) panels to the COIL panel shown in the image above. Remove the “1st” panel and “2nd” panel marked “COIL”.



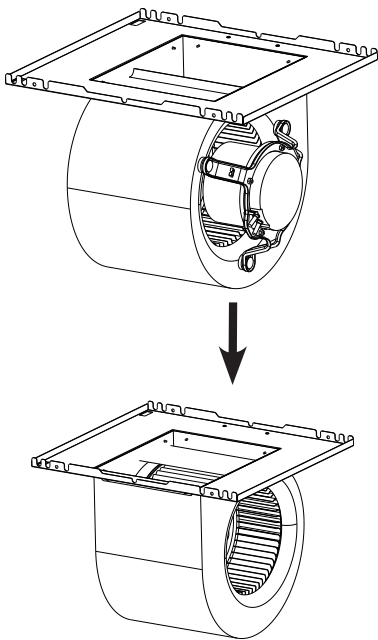
Step. 3b Next, remove the smaller panels covering the drain holes and refrigerant lines by first sliding in the direction indicated above.



Step. 4 Remove all electrical connections entering the control box. This includes the motor connector. Pull these harnesses from the control box. Next, remove the (2) screws indicated in the image and remove the control box from the air handler.

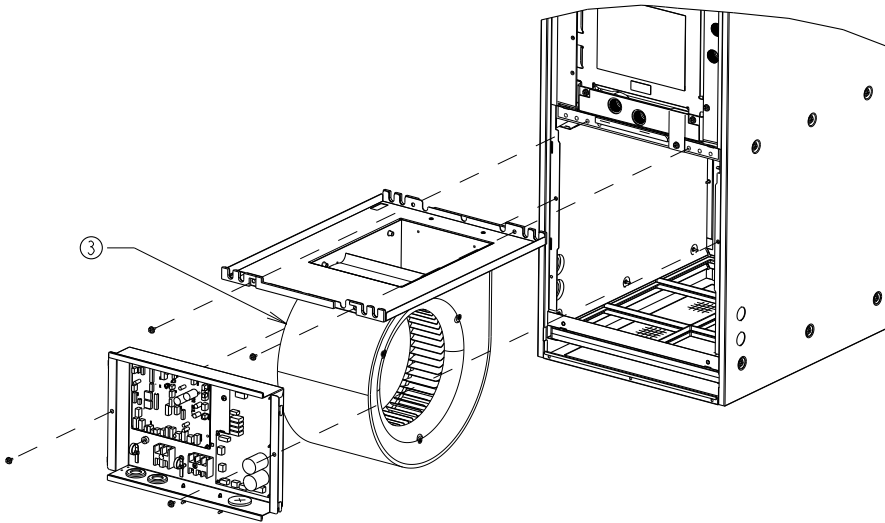


Step. 5 Remove the (2) screws indicated in the image and slide the entire fan assembly out from the cabinet.



Step. 6 Rotate the blower assembly 180°. The motor should now be on the opposite side.

③ Motor on left

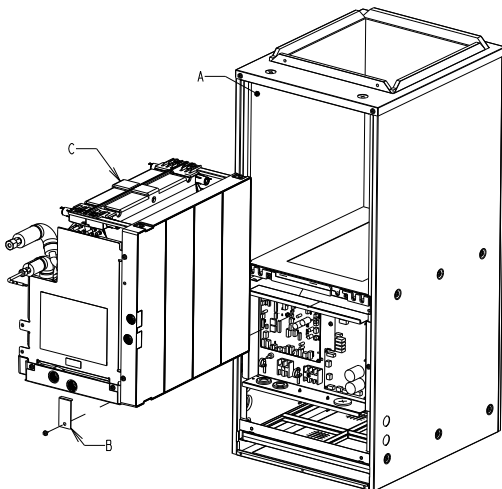


Step. 7 Reinsert the blower assembly with the motor now on the left into the air handler cabinet and reuse the (2) screws that secured the fan assembly in position. Reroute the connector for the motor back into the enclosure and reconnect. Reinstall Control Box.



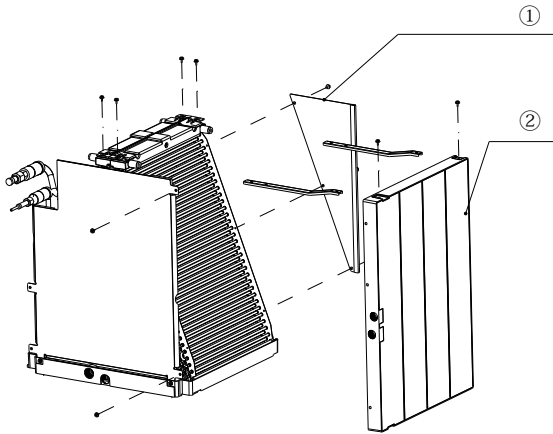
NOTE

The wiring harness might have to be removed from the plastic retainers mounted to the motor bracket in order to have sufficient length to reach the electrical enclosure mounted to the fan assembly. Ensure wiring harness is secure so it cannot be pulled into the fan.



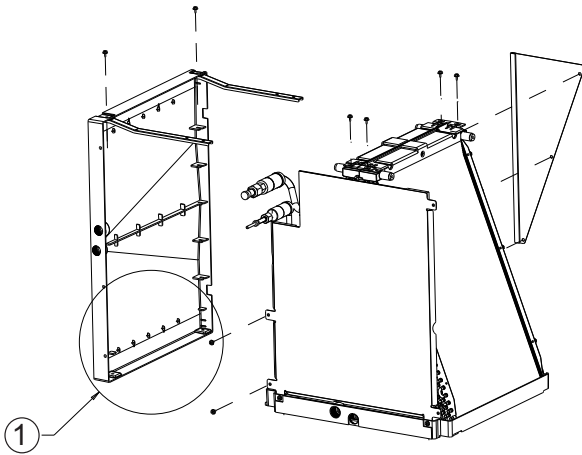
Step. 8

- A. Disconnect the waterproof thermistor harness inside the coil portion of the cabinet.
- B. Remove the brackets which secure the coil assembly.
- C. Slide the coil assembly out of the air handler cabinet.



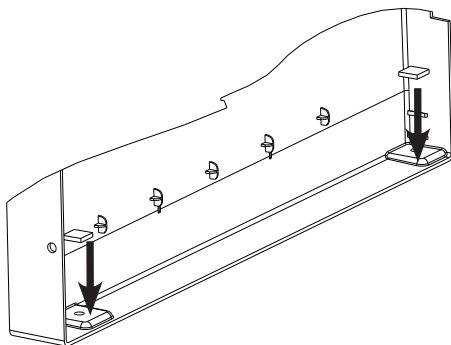
- ① Plate Guide Rear
- ② Side Drain Pan

Step. 9 Remove the Plate Guide Rear (3 screws) and Side Drain Pan (4 screws) along with supporting brackets (4 screws) from the coil assembly.

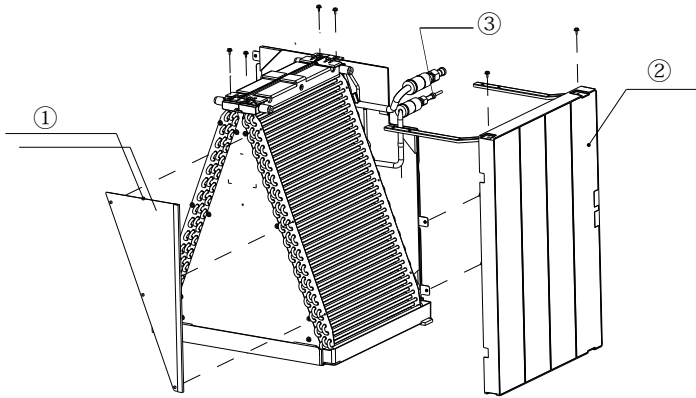


- ① DETAIL B

Step. 10a Install the (2) drain pan seals included in the accessory bag as shown above. These seals will cover the unused holes in the side drain pan to prevent leaks.



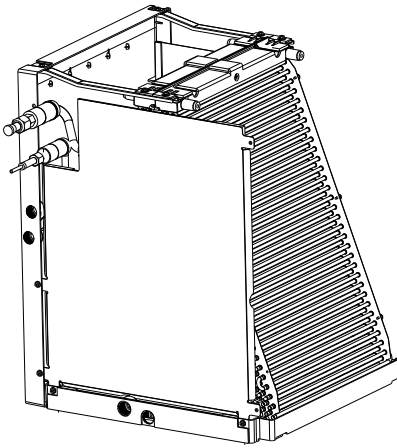
DETAIL B



- ① Plate Guide Rear
- ② Side Drain Pan
- ③ Piping

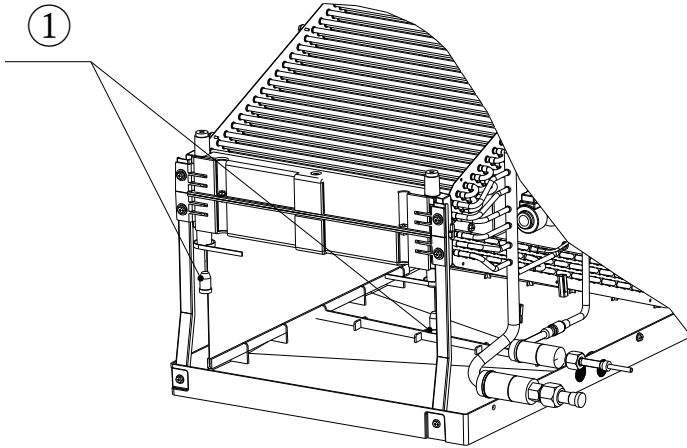
ENGLISH

Step. 10b Reinstall the brackets to the opposite side of the Side Drain Pan. The Side Drain Pan will be reinstalled on the opposite side of the Coil Assembly. Reattach the Plate Guide Rear on the opposite side of the coil assembly.



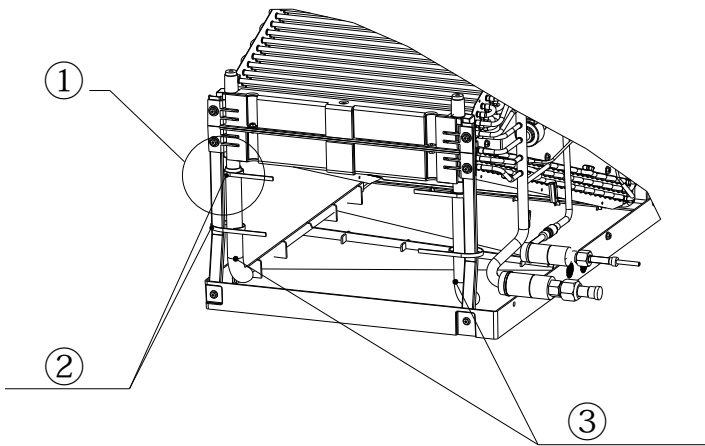
Completed Step. 10b
View Horizontal Left Coil Assembly.

① Rubber Plugs

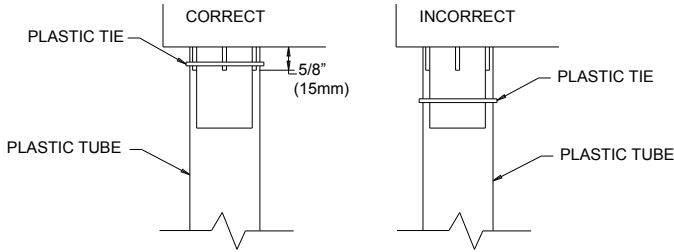


Step. 10c Remove the plugs indicated in the image above.

- ① DETAIL A
- ② 2 Plastic tier per sides
- ③ 2 Plastic tubes ensure tubes drain into Drain Pan

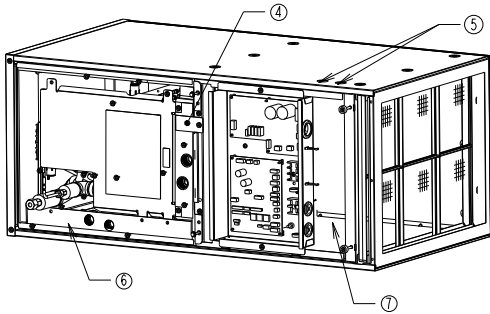


Step. 10d Next, install the clear plastic tubes which are included in the accessory bag. Ensure the plastic tubes drain into the pan. Also, be sure the clear plastic tubes do not have any restriction. Cutting of the plastic tube is required, please refer to the table for length. Finally, secure the clear plastic tubes to the top drain pan per Detail A then to the metal brackets supporting the coil to the top drain pan with the provided plastic ties as shown.



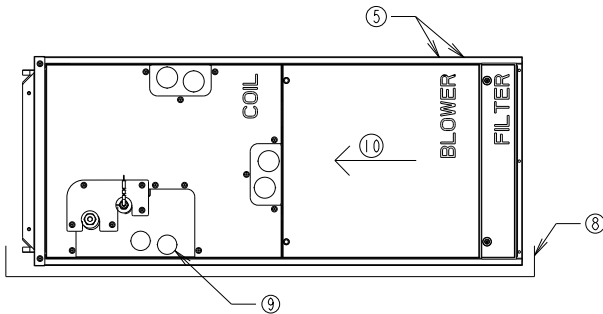
Model	Tube Length
SVZ-KP12, 18, 24	4.9 in. (125 mm)
SVZ-KP30, 36	6.9 in. (175 mm)

DETAIL A



- ④ Reattach Bracket(s)
- ⑤ Electrical Knockouts
- ⑥ Side Drain Pan on bottom
- ⑦ Motor on bottom

Step. 11 Reinstall the coil assembly along with the bracket(s) that secure(s) it. Failure to reinstall the brackets will result in capacity loss and condensation formation inside the cabinet. Be sure the thermistor harness is reconnected inside the coil portion of the cabinet. Refer to 9.3 steps 1 to 4 to reassemble the panels. Ensure the proper knockouts are removed for drainage and electrical connections.



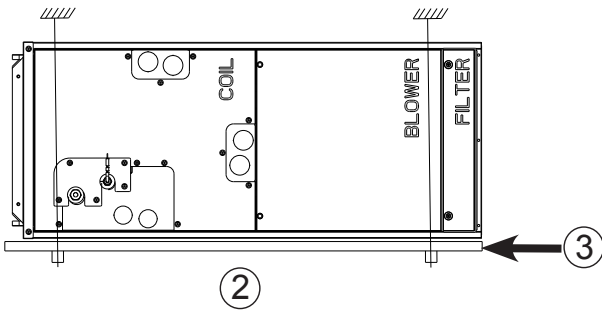
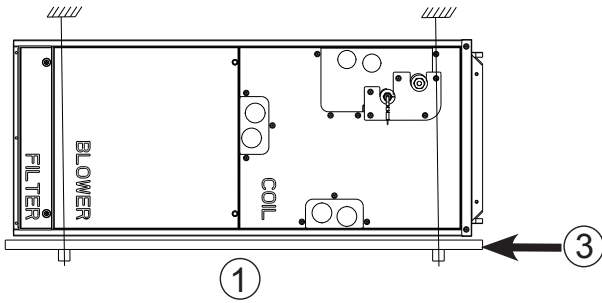
- ⑤ Electrical Knockouts
- ⑧ Auxiliary Drain Pan
- ⑨ Primary Drain 3/4" FPT
- ⑩ Airflow

Horizontal Left
Fan assembly rotation required.

Horizontal Mounting

The unit can be installed on a platform or suspended from rails as shown below. The rails must run the length of the unit and be of sufficient strength to support the weight of the unit and connected ductwork. Vibration isolation is recommended for horizontal installations. Some jurisdictions may require an auxiliary drain pan be mounted under the unit. Always follow local or national code requirements.

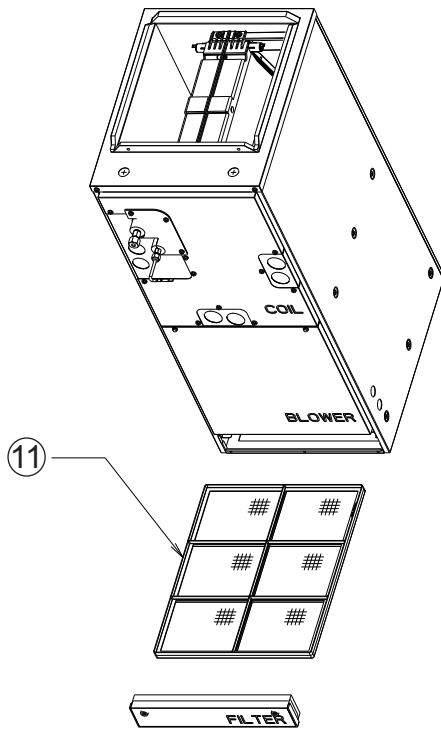
- ① Platform Mounting
- ② Suspended Mounting
- ③ Auxiliary Drain Pan



ENGLISH

10. Air filter

A washable (reusable) air filter is provided with the air handler unit. The filter can be installed once the unit has been removed from its packaging. It is recommended the air filter be cleaned once per month. The pressure drop is to be determined by the installing contractor based on the overall static pressure performance of the system including supply and return ductwork sizing. The factory static pressure performance is 0.50" esp. A field selectable 0.30 and 0.80 esp. is available. See instructions for changing to 0.30 or 0.80 esp in the electrical section (13.4.).



⑪ FILTER

11. Refrigerant piping work

For constraints on piping length and allowable difference of elevation, refer to the design section of the engineering manual.

The method of pipe connection on the air handler is flare connection.

Provide proper bracing for refrigerant piping so no load is imparted upon the connections at the air handler.



WARNING

When installing and moving the unit, do not charge it with refrigerant other than the refrigerant specified on the unit. Mixing of a different refrigerant, air, etc. may cause the refrigerant cycle to malfunction and result in severe damage.



CAUTION

Use refrigerant piping made of C1220 (Cu-DHP) phosphorous deoxidized copper as specified in ASTM B280 Standard for copper and copper alloy seamless pipes and tubes. In addition, be sure that the inner and outer surfaces of the pipes are clean and free of hazardous sulphur, oxides, dust/dirt, shaving particles, oils, moisture, or any other contaminant. Never use existing refrigerant piping.



CAUTION

COIL UNDER PRESSURE

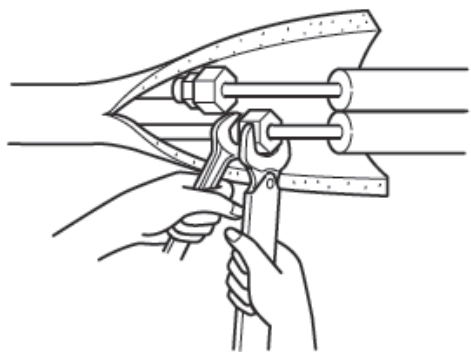
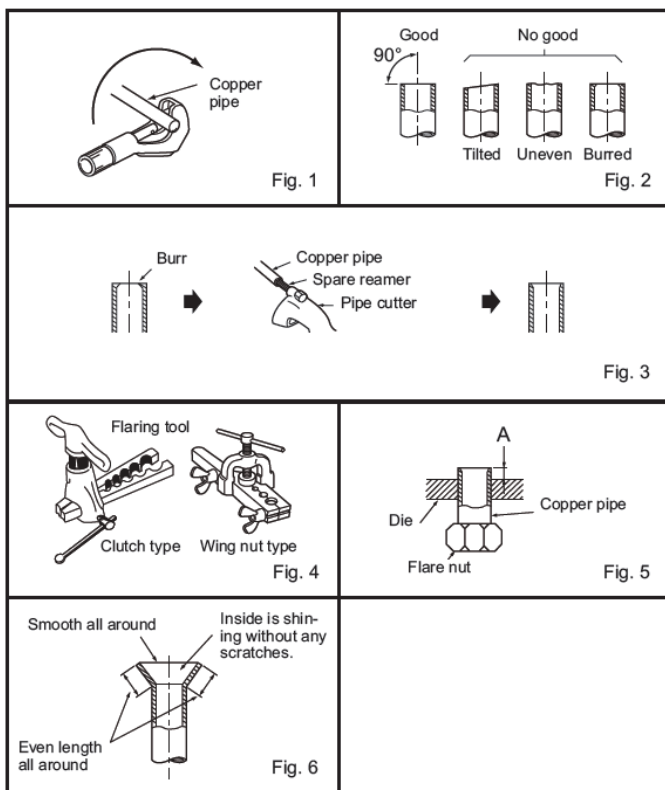
Always wear safety glasses when working around pressurized devices. The air handlers are shipped with a nitrogen holding charge in the coil. Carefully follow these instructions when releasing the charge.

Carefully remove the flare nut off the end of the pipe to release any gas.

Both refrigerant lines need to be insulated all the way up to the cabinet. Make sure the openings in the cabinet around the refrigerant lines are sealed. 3/8 in thick insulation is the minimum recommended thickness. Based on ambient conditions, local codes and line length, thicker insulation may be desired.

Do not put any oil on the threaded portion of the flare nuts. This may cause the flare nut to loosen and leak refrigerant.

Pipe diameter inch (mm)	Nut (mm)	A inch (mm)	Tightening torque	
		Clutch type tool for R410A	N•m	lb•ft (kgf•cm)
1/4 (6.35)	(17)	0 to 0.02 (0 to 0.5)	13.7 to 17.7	10 to 13 (140 to 180)
3/8 (9.52)	(22)		34.3 to 41.2	25 to 30 (350 to 420)
1/2 (12.7)	(26)		49.0 to 56.4	36 to 42 (500 to 575)
5/8 (15.88)	(29)		73.5 to 78.4	54 to 58 (750 to 800)



- Never use existing refrigerant piping.
- The large amount of chlorine in conventional refrigerant and refrigerant oil in the existing piping will cause the new refrigerator to deteriorate.
- Store the piping to be used during the installation indoors and keep both ends of the piping sealed until just before brazing.
- If dust, dirt or water gets into the refrigerant cycle, the oil will deteriorate and the compressor may fail.
- Use ester oil, ether oil or alkylbenzene (small amount) as the refrigerant oil to coat flares and flange connections before connecting.
- The refrigerant used in the unit is highly hydroscopic and mixes with water which will degrade the refrigerant oil.

11.1. Insulation

To avoid dew drops, provide sufficient anti-sweating insulation to the refrigerant and drain pipes. When using commercially available refrigerant pipes, be sure to cover with available insulating material with heat-resistant temperature of more than 100 °C [212 °F] and thickness given below, on both liquid and gas pipes. Insulate all indoor pipes with polyethylene insulation with a minimum density of 0.03 and a thickness as specified in the table below.

Pipe size	Insulation thickness
6.4 mm to 25.4 mm [1/4 to 1 in.]	>10 mm [7/16 in.]
28.6 mm to 38.1 mm [1-1/8 to 1-1/2 in.]	>15 mm [5/8 in.]

- If the unit is used on the highest story of a building and under high temperature and high humidity, it is necessary to use thicker insulation than specified in the table above
- If there are customer's specifications, please follow them

11.2. Piping size

Model		SVZ-KP•NA				
		12	18	24	30	36
Refrigerant pipe	Liquid pipe	6.35 mm [1/4]			9.52 mm [3/8]	
	Gas pipe	9.52 mm [3/8]	12.7 mm [1/2]	15.88 mm [5/8]		
Drain Pipe		O.D. 32 mm [1-1/4]				

12. Drain connections

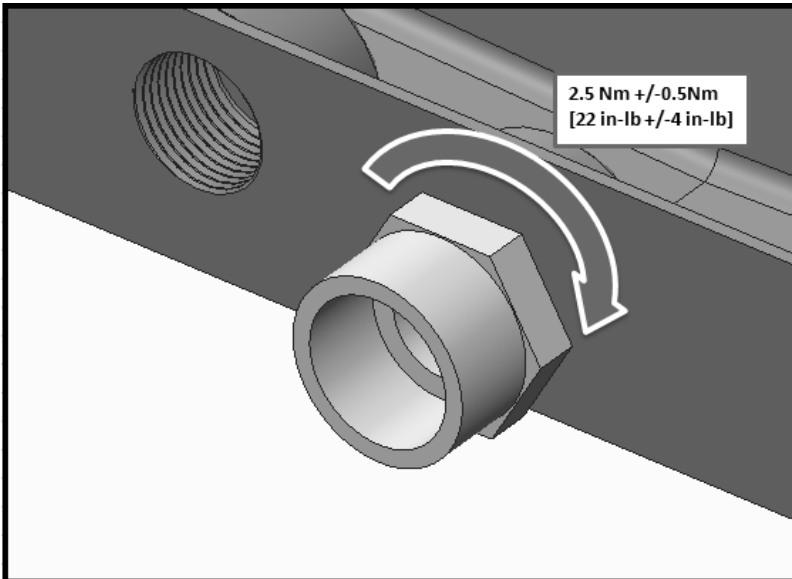


IMPORTANT

Over-tightening the drain connections could result in drain pan breakage and failure.

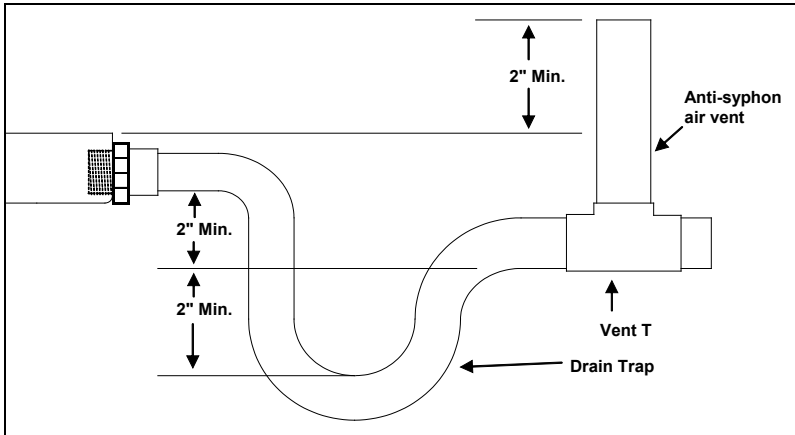
Please follow the following technique for attaching the drain pan adapter:

1. Apply (2) wraps overlapping of sealing tape
2. Torque the drain pan adapter to 2.5 Nm \pm 0.5 [22 in-lb \pm 4]



The air handler contains $\frac{3}{4}$ " FPT drain connections. When the unit is used in the vertical position, there is one set. When the unit is mounted horizontally there is one set. Each set contains a primary drain and a secondary or auxiliary drain. The primary drain is the one that is lowest (even with the bottom of the pan). The secondary drain is at the higher level. They are labeled on the dimensional drawings above.

- These units operate with a positive pressure at the drain connections and **although a P-trap is not required, it is recommended to prevent capacity loss. Always follow local codes and standards.**
- The trap needs to be installed as close to the unit as possible. Make sure the top of the trap is below the connection to the drain pan to allow complete drainage of the pan.
- Slope the drain line a minimum of $\frac{1}{4}$ " per foot.
 - Do not reduce the pipe size from $\frac{3}{4}$ ", this could cause premature blockage in the lines.
 - Do not braze near the plastic drain piping.

**NOTE**

Horizontal runs must also have an anti-siphon air vent (standpipe) install ahead of the horizontal run to eliminate air trapping. Horizontal drain lines must be pitched a minimum $\frac{1}{4}$ " per foot.

Route the drain lines outside or to an appropriate drain. Drain lines must be installed so they do not block service access to the front of the unit. 24" clearance in the front is for routine maintenance or service.

**NOTE**

Check local codes before connecting the drain line to an existing drainage system.

Insulate the drain lines where sweating could cause water damage. Upon completion of installation, it is the responsibility of the installer to ensure the drain pan(s) captures all condensate, and all condensate is draining properly and not getting into the ductwork/system.

Vertical Mounting:

When mounted vertically, the air handler's primary drain connection is located in the center of the unit. The slightly higher drain to the left is the secondary drain.

Attach the drain connector and tighten **TO THE PROPER TORQUE SHOWN PREVIOUSLY** with sealant and install the drain line.

**IMPORTANT**

Over-tightening the drain connection could result in drain pan breakage and failure.

The secondary connection should be connected to a separate drainage system. Run the secondary drain so the occupants will be able to notice water flowing through the secondary drain indicating a blockage in the primary drain. Optional use for the secondary is a primary drain line overflow switch (provided by others). This device will shut the cooling operation unit down in the event of a primary drain line blockage. See wiring section for connecting this device.

Horizontal (Left or Right):

If the unit is installed horizontally, remove the knockout in the front panel to gain access to the side drain pan connections. Attach the connector as described above and route drain line. Any vertical drain pan openings must be covered to eliminate air loss which will decrease the capacity of the unit.

**IMPORTANT**

Over-tightening the drain connection could result in drain pan breakage and failure.

The secondary connection should be connected to a separate drainage system. Run the secondary drain so the occupants will be able to notice water flowing through the secondary drain indicating a blockage in the primary drain. Optional use for the secondary is a primary drain line overflow switch (provided by others). This device will shut the cooling operation unit down in the event of a primary drain line blockage. See wiring section for connecting this device.

13. Electrical wiring



WARNING

Electrical work should be done by a qualified electrical contractor in accordance with “Engineering Standards for Electrical Installation” and supplied installation manuals. If the power circuit lacks capacity or has an installation failure, it may cause a risk of electrical shock or fire.

- Be sure to follow local and national code requirements when wiring these units.
- Install the unit in a manner to prevent that any of the control circuit cables (remote controller, transmission cables) are brought in direct contact with the power cable outside the unit.
- Ensure that there is no tension on any wire connections.
- Some cables (power, remote controller or transmission) above the ceiling may become damaged by accident or by animals. Use conduit as much as possible to prevent damage.
- Never connect the power cable to leads for the transmission cables. The cables will break.
- Be sure to connect control cables to the indoor unit, remote controller and the outdoor unit.
- Perform wiring in compliance with the safety regulations detailed in UL 1995.
- Be sure to install an earth leakage breaker to the power.
- Install the unit in a way that prevents any of the control circuit cables (remote controller, transmission cables) that are brought in direct contact with the power cable outside the unit.
- Ensure that there is no slack on all wire connections.



CAUTION

Be sure to ground the unit. Do not connect the grounding cable to any gas pipe, water pipe, lightning rod, or telephone earth cable. Incomplete grounding may cause a risk of electrical shock. If the supply cord is damaged, it must be replaced by the manufacturer, its service agent or similarly qualified persons in order to avoid a hazard.

External I/O specifications



CAUTION

Wiring should be covered by insulation tube with supplementary insulation.

Use relays or switches with IEC or equivalent standard.

The electric strength between accessible parts and control circuit should have 2750 V or more.

Wiring

Electrical wiring to the air handler will come from the outdoor unit. Please refer to the installation instructions for the outdoor unit.



CAUTION

DO NOT POWER THE ELECTRIC HEAT FROM THE OUTDOOR UNIT. FOLLOW THE APPROPRIATE WIRING SCHEMATIC FOUND IN THE ELECTRIC HEATER INSTRUCTIONS.

13.1. Remote controllers

Connecting remote controller, indoor and outdoor transmission cables

Connect the “1” and “2” on the indoor unit TB15 to a remote controller. (Non-polarized 2-wire)



NOTE

Ensure that the wiring is not pinched when fitting the terminal box cover. Pinching the wiring may cut it



CAUTION

Install wiring so that it is not tight and under tension. Wiring under tension may break or overheat and burn. Fix power source wiring to control box by using buffer bushing or tensile force. (PG connection or the like.) Connect transmission wiring to transmission terminal block through the knockout hole of control box using ordinary bushing.



CAUTION

Do not use anything other than the correct capacity breaker and fuse. Using fuse, wire or copper wire with too large capacity may cause a risk of malfunction or fire

After wiring is complete, make sure again that there is no tension on the connections, and attach the cover onto the control box in the reverse order removal. Also, seal any openings created from wiring into the air handler. This will prevent air leakage.



CAUTION

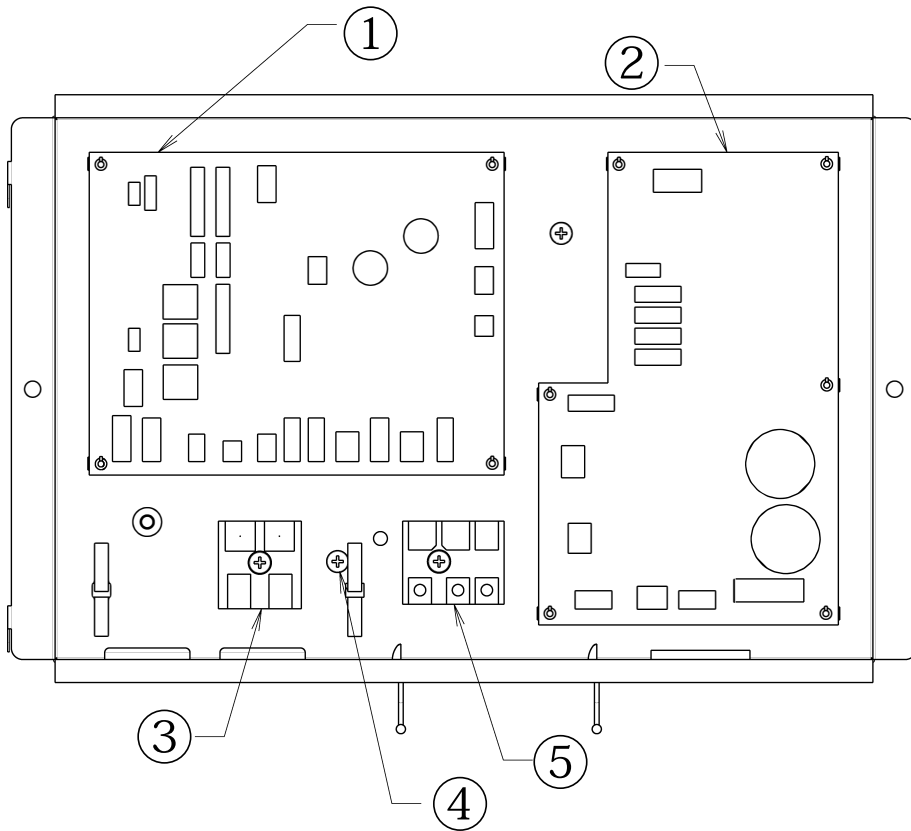
Wire the power supply so that no tension is imparted. Otherwise disconnection, heating or fire may result.



IMPORTANT

Attach shielding ground on the outdoor unit's ground terminal.

If the remote controller cable exceeds 10 m [32 ft.], use a 1.25 mm² [AWG16] diameter cable over the exceeded portion, and add that exceeded position to within 200 m [656 ft].



- ① CONTROL BOARD
- ② INVERTER BOARD
- ③ TO REMOTE CONTROLLER 1, 2
- ④ GROUNDING TERMINAL
- ⑤ SI, S2, S3

ENGLISH

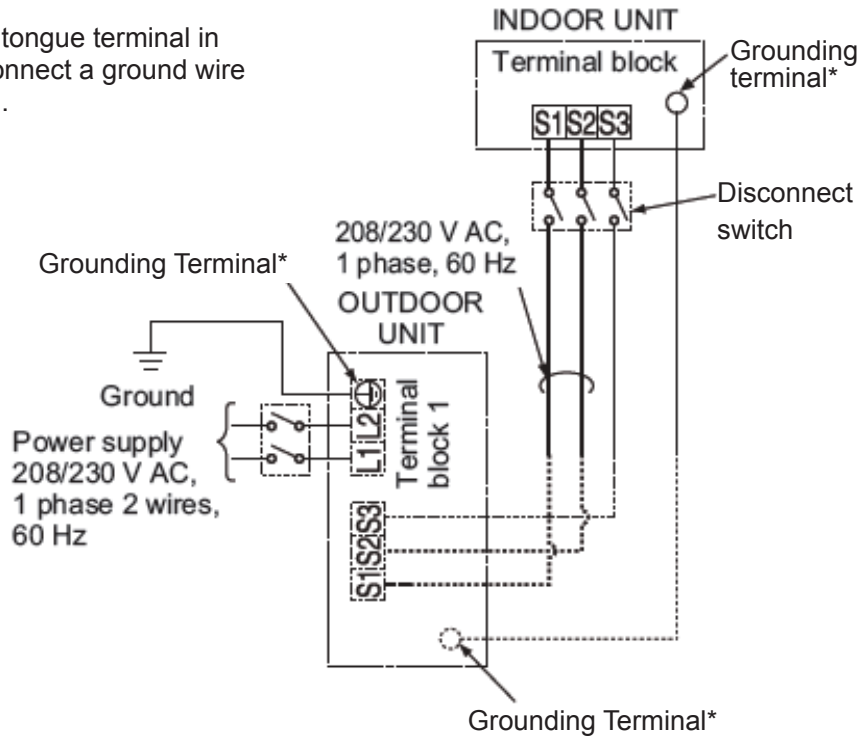
13.2. Connecting line voltage

Make sure power supply is off.

The unit should be installed by a licensed contractor/electrician. If required by applicable national, state, and local codes, a disconnect switch will need to be installed when the indoor unit is powered from the outdoor unit.

Remark:

* Use a ring tongue terminal in order to connect a ground wire to terminal.



NOTE

If the air handler will be installed with electric heat package do not power the electric heat from the outdoor unit.

All wiring must conform to national and local codes

1. Remove the desired knockout on the air handler.
2. Attach a conduit pipe connector to the air handler and route the wiring as shown in the above diagram. Ensure conduit connection hole is air tight and add a sealant if necessary.
3. Firmly tighten all of the terminal screws. After tightening, verify that the wires are tightly fastened.

Electrical Characteristics

Symbols :

MCA : Max. Circuit Amps (= 1.25 × FLA)

IFM : Indoor Fan Motor

FLA : Full Load Amps

Output : Fan motor rated output

Model	Indoor Unit				IFM	
	Hz	Volts	Voltage Range	MCA (A)	Output (kW)	FLA (A)
KP12	60	208/230V	188 to 253V	3.00/3.00	0.121	2.4
KP18						
KP24						
KP30						
KP36				4.13/4.13		

Function Table

Mode	Settings	Mode (function) No.	Setting no.	Initial setting	Check
		Wired remote controller (RF thermostat)			
Power failure auto restart	Not available	1	1	1	
	Available	(101)	2		
Indoor temperature detecting	Indoor unit operating average	02 (-)	1	1	
	Set by indoor unit's remote controller		2		
	Remote controller's internal sensor		3		
LOSSNAY connectivity	Not Supported	3 (103)	1	1	
	Supported (indoor unit is not equipped with outdoor air intake)		2		
	Supported (indoor unit is equipped with outdoor air intake)		3		
Power voltage	240V (230V)	4	1	1	
	220V (208V)	(104)	2		
Filter sign	100 Hr	7 (107)	1	3	
	2500 Hr		2		
	No filter sign indicator		3		
Humidifier control	Heat operation & Thermo ON	16	1	1	
	Heat operation	(116)	2		
Heater control	Heater Not Present	11	1	1	
	Heater Present ¹	(111)	2		
Heater control during defrost and error	Disable heater during defrost and error	23	1	1	
	Enable heater and fan during defrost and error ²	(123)	2		

¹ While the heater is on, the fan will operate at high speed regardless of the fan setting on the remote controller

² Heater will not operate during all error modes. Heater will only operate during a communication error between indoor unit and outdoor unit

**NOTE**

When CN4Y is used the fan is off when CN24 is energized which is only for use with supplemental heat that is not in the duct.

**CAUTION**

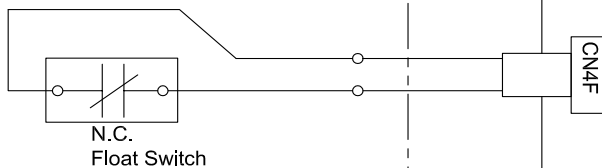
If a heater is installed in the duct, do not use Panel Heater Connector. By doing so, the fan will turn off when the heater is on, which may result in fire.

- Please see section 13.4. for external static pressure settings.

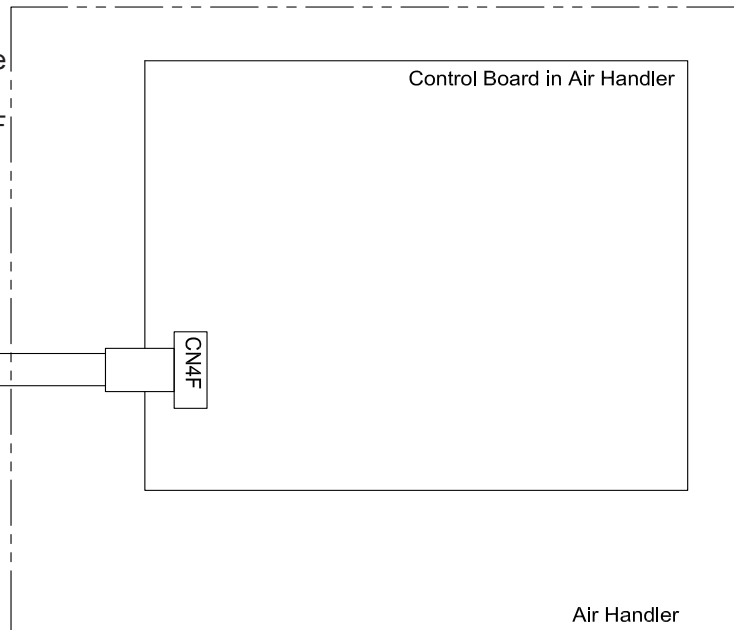
13.3. Condensate overflow safety switch connection (CN4F)

The circuit board is equipped with a connection to attach a condensate safety float switch. The switch should be a normally closed low voltage rated switch. The switch should be installed in a location that it can sense a drain blockage causing a rise in water level. This resulting rise in level will cause it to open. The switch location is to be determined by the installing contractor. When the switch opens, it will cause the LEV to close, stopping the cooling operation. The fan will continue to run and a fault code will be shown at the controller. Correcting the problem and closing the switch will be required before normal operation can resume. See installation below:

Locate the CN4F connector on the control board. Carefully remove the connector with the jumper from the board. Cut the jumper on the CN4F connector and wire a normally closed safety float switch across the wires. Carefully reinstall the connector back on the board.



When the Normally Closed Float Switch opens, the Indoor unit will turn off.



13.4. Changing blower external static pressure

The air handler is equipped with an adjustable static pressure setting. The available settings are shown in the table below.

Model	Available ESP [in. WG]		
SVZ-KP12	0.30	0.50	0.80
SVZ-KP18			
SVZ-KP24			
SVZ-KP30			
SVZ-KP36			

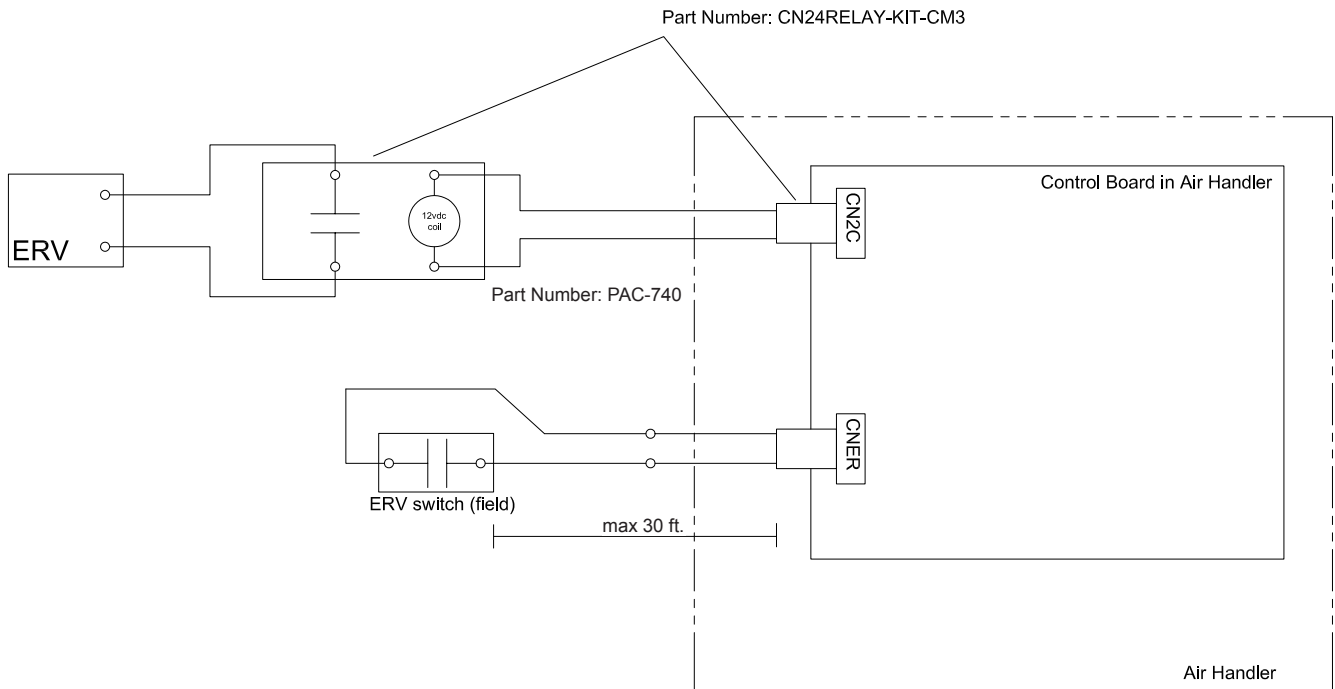
The air handler will be set to 0.50 ESP from the factory.

The air handler's static pressure can be changed through the mode/function settings in the controller. Please refer to the installation manual for the controller on how to change this option. Depending on the controller used, the mode/function will be either 08 for mode (PAR-31 & Simple MA) or 108 for function (MHK1).

Vertical, Horizontal Left, Horizontal Right External Static Pressure Setting

External Static Pressure	Setting No. of Mode/Function 08/108	Setting No. of Mode/Function 10/110 (Factory Setting)
0.3 in. WG [75Pa]	1	1
0.5 in. WG [125Pa] (Factory Setting)	2	1
0.8 in. WG [200Pa]	3	1

13.5. ERV (Energy Recovery Ventilation)



ERV Control

Sequence of operation:

1. The ERV demand switch closes CNER
2. 12VDC is provided to CN2C to turn on ERV
3. If the unit goes into defrost, CN2C stops 12VDC output

ERV Switch:

- Non-Voltage a-contact input
- Contact rating voltage $\geq 15\text{VDC}$
- Contact rating current $\geq 0.1\text{ A}$
- Minimum applicable load $\leq 1\text{mA at DC}$

ERV output CNER input	Function Mode26	Condition	Fan speed	CN2C output (=Fan output)
OFF	-	Cool/Heat/Fan operation	RC setting	ON
		Defrost	STOP	OFF
		STOP	STOP	OFF
ON	"1" ¹	Cool/Heat/Fan operation	RC setting	ON
		Defrost	STOP	OFF
		STOP	STOP	OFF
	"2"	Cool/Heat/Fan operation	RC setting	ON
		Defrost	STOP	OFF
		STOP	RC setting ^{2, 3}	ON

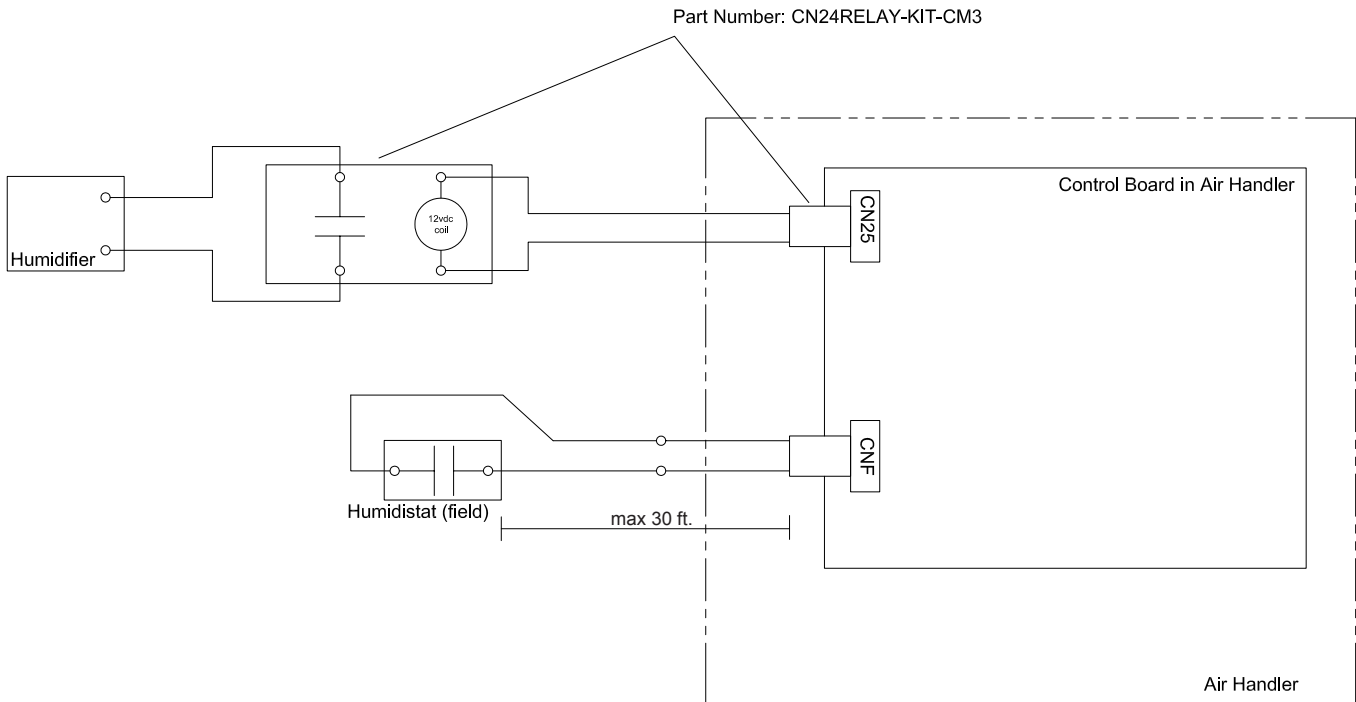
¹ Factory setting.

² When fan speed setting by RC is "Auto", Fan speed is fixed to "HIGH".

³ If ERV control is effective when STOP, IDU doesn't report fan status or PB error (Fan motor error).

RC: Remote controller

13.6. Humidifier



ENGLISH

Humidifier Control

Sequence of operation:

1. The humidistat closes CNF
2. The fan starts on high
3. CN25 provides 12VDC to turn on the Humidifier
(do not exceed 1 Watt draw per relay)
4. When the Humidistat opens, the fan continues to run for 30 seconds to clear the ductwork of moist air
5. If defrost starts during humidifier operation
CN25 de-energizes

Humidistat:

- Non-Voltage a-contact input
- Contact rating voltage $\geq 15\text{VDC}$
- Contact Rating Current $\geq 0.1\text{ A}$
- Minimum Applicable Load $\leq 1\text{mA}$ at DC

Mode No.	Humidistat Output	Condition	CN25 Output	Fan Speed
16	CNF Input	(No Defrost/No Error)		
1 ¹	OFF	Heat operation & Thermo OFF	OFF	RC setting
		Heat operation & Thermo ON		
	ON	Heat operation & Thermo OFF	OFF	RC setting
		Heat operation & Thermo ON	ON	High
2	OFF	Heat operation & Thermo OFF	OFF	RC setting
		Heat operation & Thermo ON		
	ON	Heat operation & Thermo OFF	ON	High
		Heat operation & Thermo ON		
-	-	Except for heat operation	OFF	RC setting

¹ Factory Setting

RC: Remote controller

The fan continues to run for 30 seconds after the humidifier stops.

14. Test run

14.1. Before test run

After completing installation and the wiring and piping of the indoor and outdoor units, check for refrigerant leakage, looseness in the power supply or control wiring, wrong polarity, and no disconnection of one phase in the supply. Use a 500-volt megohmmeter to check that the resistance between the power supply terminals and ground is at least 1.0 MΩ.

Do not carry out this test on the control wiring (low voltage circuit) terminals.



WARNING

Do not use the air conditioner if the insulation resistance is less than 1.0 MΩ.

After installation or after the power source to the unit has been cut for an extended period, the insulation resistance will drop below 1 MΩ due to refrigerant accumulating in the compressor. This is not a malfunction. Perform the following procedures.

1. Remove the wires from the compressor and measure the insulation resistance of the compressor.
2. If the insulation resistance is below 1 MΩ, the compressor is faulty or the resistance dropped due the accumulation of refrigerant in the compressor.
3. After connecting the wires to the compressor, the compressor will start to warm up after power is supplied. After supplying power for the times indicated below, measure the insulation resistance again.
 - The insulation resistance drops due to accumulation of refrigerant in the compressor. The resistance will rise above 1 MΩ after the compressor is warmed up for two to three hours.
(The time necessary to warm up the compressor varies according to atmospheric conditions and refrigerant accumulation.)
 - To operate the compressor with refrigerant accumulated in the compressor, the compressor must be warmed up at least 12 hours to prevent breakdown.
4. If the insulation resistance rises above 1 MΩ, the compressor is not faulty.



CAUTION

- The compressor will not operate unless the power supply phase connection is correct.
- Turn on the power at least 12 hours before starting operation.
 - Starting operation immediately after turning on the main power switch can result in severe damage to internal parts. Keep the power switch turned on during the operational season.

14.2. Test run

Refer to the installation manual that comes with each remote controller for details.

14.3. Self-check

Refer to the installation manual that comes with each remote controller for details.

RF thermostat is not established.

[Output pattern A] Errors detected by indoor unit

IR wireless remote controller Beeper sounds/OPERATION INDICATOR lamp flashes (Number of times)	Wired remote controller RF thermostat Check code	Symptom	Remark
1	P1	Intake sensor error	
2	P2, P9	Pipe (Liquid or 2-phase pipe) sensor error	
3	E6, E7	Indoor/outdoor unit communication error	
4	P4	Drain sensor error	
5	P5	Drain pump error	
6	P6	Freezing/Overheating safeguard operation	
7	EE	Communication error between indoor and outdoor units	
8	P8	Pipe temperature error	
9	E4	Remote controller signal receiving error	
10	-	-	
11	PB	Fan motor error	
12	Fb	Indoor unit control system error (memory error, etc.)	
No sound	--	No corresponding	

[Output pattern B] Errors detected by unit other than indoor unit (outdoor unit, etc.)

IR wireless remote controller Beeper sounds/ OPERATION INDICATOR lamp flashes (Number of times)	Check code	Symptom	Re- mark
1	E9	Indoor/outdoor unit communication error (Transmitting error) (Outdoor unit)	
2	UP	Compressor overcurrent interruption	
3	U3, U4	Open/short of outdoor unit thermistors	
4	UF	Compressor overcurrent interruption (When compressor locked)	
5	U2	Abnormal high discharging temperature/49C worked/ insufficient refrigerant	
6	U1, Ud	Abnormal high pressure (63H worked)/ Overheating safeguard operation	
7	U5	Abnormal temperature of heat sink	
8	U8	Outdoor unit fan protection stop	
9	U6	Compressor overcurrent interruption/Abnormal of power module	
10	U7	Abnormality of super heat due to low discharge temperature	
11	U9, UH	Abnormality such as overvoltage or voltage shortage and abnormal and synchronous signal to main circuit/ Current sensor error	

IR wireless remote controller	Beeper sounds/ OPERATION INDICATOR lamp flashes (Number of times)	Symptom	Re- mark
Beeper sounds/ OPERATION INDICATOR lamp flashes (Number of times)	Check code		
12	-	-	
13	-	-	
14	Others	Other errors (Refer to the technical manual for the outdoor unit.)	

***1 If the beeper does not sound again after the initial two beeps to confirm the self-check start signal was received and the OPERATION INDICATOR lamp does not come on, there are no error records.**

***2 If the beeper sounds three times continuously “beep, beep, beep (0.4 + 0.4 + 0.4 sec.)” after the initial two beeps to confirm the self-check start signal was received, the specified refrigerant address is incorrect.**

- On IR wireless remote controller
The continuous buzzer sounds from receiving section of indoor unit.
Blink of operation lamp
- On wired remote controller
Check code displayed on the LCD
- If the unit cannot be operated properly after the above test run has been performed, refer to the following table to remove the cause.

Symptom		Cause
Wired remote controller	LED 1, 2 (PCB in outdoor unit)	
PLEASE WAIT	For about 2 minutes following power-on	After LED 1, 2 are lighted, LED 2 is turned off, then only LED 1 is lighted. (Correct operation)
PLEASE WAIT → Error code	After about 2 minutes has expired following power-on	Only LED 1 is lighted. → LED 1, 2 blink.
Display messages do not appear even when operation switch is turned ON (operation lamp does not light up).		Only LED 1 is lighted. → LED 1, 2 blinks twice, LED 2 blinks once.

On the IR wireless remote controller with conditions above, following phenomena takes place.

- No signals from the remote controller are accepted
- OPE lamp is blinking
- The buzzer makes a short ping sound



NOTE

Operation is not possible for about 30 seconds after cancellation of function selection. (Correct operation)

For description of each LED (LED1, 2, 3) provided on the indoor controller, refer to the following table.

LED 1 (power for microcomputer)	Indicates whether control power is supplied. Make sure that this LED is always lit.
LED 2 (power for remote controller)	Indicates whether power is supplied to the remote controller. This LED lights only in the case of the indoor unit which is connected to the outdoor unit refrigerant address "0".
LED 3 (communication between indoor and outdoor units)	Indicates state of communication between the indoor and outdoor units. Make sure that this LED is always blinking.

14.4. AUTO RESTART FUNCTION

Indoor controller board

This model is equipped with the AUTO RESTART FUNCTION.

When the indoor unit is controlled with the remote controller, the operation mode, set temperature, and the fan speed are memorized by the indoor controller board.

The auto restart function sets to work the moment the power has restored after power failure, then, the unit will restart automatically.

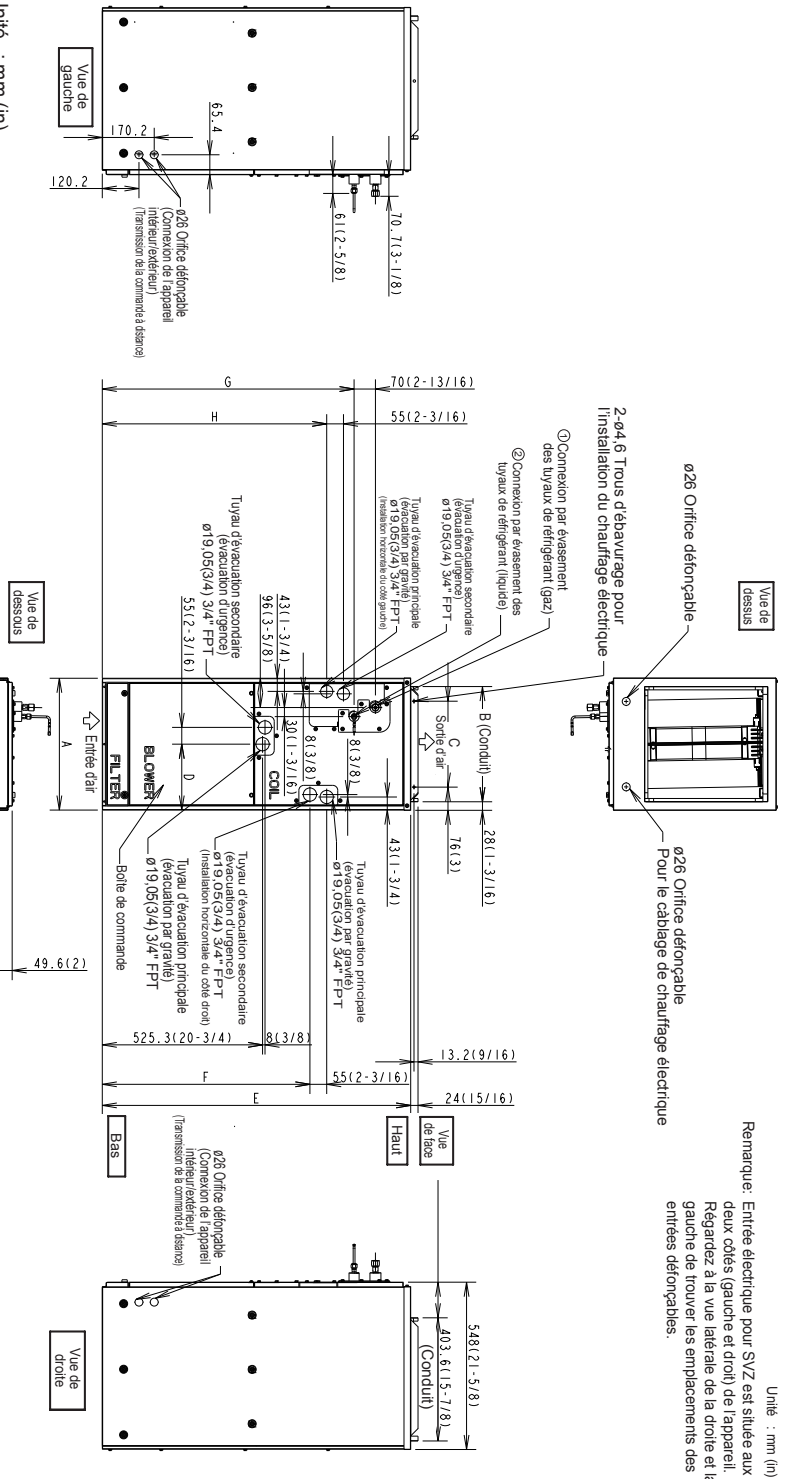
Set the AUTO RESTART FUNCTION using the remote controller. (Mode no.01)

1. Dimensions

Modèle	A	B	C	D	E	F	G	H	J	① Tuyau de gaz	② Tuyau de liquide
SVZ-KP12NA	432	376	281	224	1010.8	680	823	735.5	360	ø 9.52 (3/8)	ø 6.35 (1/4)
SVZ-KP18NA	(17)	(14-13/16)	(11-1/8)	(8-7/8)	(39-1/3/16)	(26-1/3/16)	(32-7/16)	(29)	(14-3/16)	ø 12.7 (1/2)	ø 9.52 (3/8)
SVZ-KP24NA											
SVZ-KP30NA	534	477	382.6	266.5	1113.8	737	953.5	792	461	ø 15.88 (5/8)	ø 9.52 (3/8)
SVZ-KP36NA	(21)	(18-13/16)	(15-1/8)	(10-1/2)	(43-7/8)	(29-1/16)	(37-9/16)	(31-3/16)	(18-3/16)		

Modèle	Taille du filtre nominal	Raccordement des conduits
SVZ-KP12NA	508 x 406,4 x 25,4 (20 x 16 x 1)	376 x 402 (14-13/16 x 15-7/8)
SVZ-KP18NA		
SVZ-KP24NA		
SVZ-KP30NA	508 x 508 x 25,4 (20 x 20 x 1)	477 x 402 (18-13/16 x 15-7/8)
SVZ-KP36NA		

Unité : mm (in)



Remarque: Entrée électrique pour SVZ est située aux deux côtés (gauche et droit) de l'appareil. Réglez à la vue latérale de la droite et la gauche de trouver les emplacements des entrées défonçables.

Unité : mm (in)

2. Inspection du matériel livré

Ces appareils de traitement de l'air sont complètement assemblés à l'usine et tous les composants font l'objet d'un essai de performance. Chaque appareil est composé de l'assemblage d'une soufflante, d'un serpentin de frigorigène et de commandes dans une enceinte isolée en acier galvanisé. Des débouchures sont prévues pour le passage du câblage électrique. Vérifiez la plaque signalétique de l'appareil afin de confirmer qu'il est conforme aux spécifications de la commande. À la réception de l'équipement, inspectez-le soigneusement pour des signes de dommages. Examinez l'appareil très attentivement si l'emballage est endommagé. Si vous trouvez des dommages, vous devez le noter sur le connaissance du transporteur. Les réclamations pour des dommages doivent être présentées au transporteur immédiatement. Les réclamations pour des articles manquants doivent être présentées au revendeur dans les 5 jours.

3. Mesures de sécurité

3.1. Avant l'installation et les travaux électriques

Symboles utilisés dans le texte

**AVERTISSEMENT**

Décrit des mesures qui doivent être respectées afin d'éviter d'exposer l'utilisateur à des risques de blessures potentiellement mortelles.

**ATTENTION**

Décrit des mesures qui doivent être respectées afin d'éviter d'exposer l'appareil à des risques de dommages.

**AVERTISSEMENT**

Lisez attentivement les étiquettes posées sur l'appareil principal.

Avant d'installer l'appareil, veuillez à lire toutes les « Mesures de sécurité ». Les « Mesures de sécurité » offrent de très importantes consignes de sécurité. Assurez-vous de les respecter.



AVERTISSEMENT

- L'appareil doit être installé par un détaillant autorisé ou un technicien adéquatement formé.
 - Si l'utilisateur effectue une mauvaise installation, il pourrait en résulter des fuites d'eau, une électrocution ou un incendie.
- Installez le climatiseur à un endroit qui peut supporter son poids.
 - Une résistance inadéquate peut causer la chute de l'appareil et poser un risque de blessures.
- Utilisez les câbles spécifiés pour le câblage. Créez des connexions solides, de manière à ce que le poids extérieur du câble n'exerce pas de force sur les bornes.
 - Une mauvaise connexion ou un mauvais câblage pourrait causer une génération de chaleur et un incendie. Veillez à ce que le câblage soit détendu.
- Prenez des précautions contre les typhons, les ouragans et les tremblements de terre, etc., et installez l'appareil à l'endroit indiqué.
 - Une mauvaise installation peut faire en sorte que l'appareil bascule et cause des blessures.
- Ne réparez jamais l'appareil. Si le climatiseur doit être réparé, consultez le détaillant.
 - Si l'appareil est réparé de manière inadéquate, il pourrait s'ensuivre des fuites, une électrocution ou un incendie.
- Ne touchez pas les ailettes de l'échangeur de chaleur.
 - Une manipulation incorrecte pourrait mener à des blessures.
- Lors de la manipulation de ce produit, portez toujours de l'équipement de protection individuelle.
 - P. ex. : des gants, une protection des bras complète et des lunettes de sécurité.
 - Une manipulation incorrecte pourrait mener à des blessures.
- Installez le climatiseur conformément à ce manuel d'installation.
 - Si l'appareil est installé de manière inadéquate, il pourrait s'ensuivre des fuites, une électrocution ou un incendie.
- Faites effectuer tous les travaux électriques par un électricien qualifié, conformément au Code de l'électricité national et local, à la réglementation pour les câbles à l'intérieur, ainsi que les instructions données dans ce manuel, et utilisez toujours un circuit séparé.
 - Si la capacité de la source d'alimentation est inadéquate ou si les travaux électriques ne sont pas effectués correctement, il pourrait s'ensuivre une électrocution ou un incendie.
- Gardez les pièces électriques éloignées de l'eau.
 - Cela pourrait mener à une électrocution, à un incendie ou à la génération de fumée.
- Lors du nettoyage de l'échangeur de chaleur et du bac d'égouttement, assurez-vous que le boîtier de commande, le moteur, le LEV et le couvercle étanche demeurent secs.
- Lors de l'installation et du déplacement du climatiseur à un autre emplacement, ne remplissez pas l'appareil d'un autre frigorigène que celui spécifié sur l'appareil.
 - Si un autre frigorigène ou de l'air est mélangé au frigorigène d'origine, le cycle de réfrigération pourrait ne pas bien fonctionner, et l'appareil pourrait être endommagé.
- Lors du déplacement et de la réinstallation du climatiseur, communiquez avec le détaillant ou un technicien autorisé.
 - Si le climatiseur est installé de manière inadéquate, il pourrait s'ensuivre des fuites, une électrocution ou un incendie.
- N'effectuez pas la reconstruction des dispositifs de protection, et ne modifiez pas leurs réglages.
 - Si le manocontacteur, le thermocontacteur ou un autre dispositif de protection connaît un court-circuit et est actionné de force, ou si on utilise des pièces autres que celles spécifiées par Mitsubishi Electric, un incendie ou une explosion pourrait en résulter.
- Pour mettre ce produit au rebut, veuillez communiquer avec votre concessionnaire.
- N'utilisez pas d'additif de détection des fuites.

- Utilisez toujours un filtre à air, un humidificateur, un appareil de chauffage électrique et d'autres accessoires spécifiés par Mitsubishi Electric.
 - Demandez à un technicien autorisé d'installer les accessoires. Si l'utilisateur effectue une mauvaise installation, il pourrait en résulter des fuites d'eau, une électrocution ou un incendie.
- Si du gaz frigorigène fuit pendant les travaux d'installation, ventilez la pièce.
 - En contact avec une flamme, le frigorigène libère des gaz toxiques.
- Installez de manière sécuritaire le couvercle des bornes (panneau) de l'appareil externe.
 - Si le couvercle des bornes (panneau) n'est pas bien installé, de l'eau ou de la poussière pourrait pénétrer dans l'appareil extérieur, menant à un incendie ou à une électrocution.
- Si le climatiseur est installé dans une petite pièce, il faut prendre des mesures afin de s'assurer que la concentration de frigorigène ne dépasse pas la limite sécuritaire, même si le frigorigène devait fuir.
 - Communiquez avec le détaillant en ce qui concerne les mesures appropriées à prendre afin d'éviter de dépasser la limite sécuritaire. Une fuite de frigorigène qui cause le dépassement de la limite sécuritaire pourrait créer des dangers liés au manque d'oxygène dans la pièce.
- Après avoir effectué les travaux d'installation, assurez-vous qu'il n'y a pas de fuite de gaz frigorigène.
 - Si le gaz frigorigène fuit et est exposé à la chaleur provenant d'une chaufferette à ventilateur, d'un four, d'une cuisinière ou d'une autre source, il pourrait générer des gaz toxiques.
- Ne laissez pas les enfants s'approcher de l'équipement de climatisation.
- L'installateur et le spécialiste du système doivent s'assurer qu'il n'y a aucune fuite de frigorigène, conformément aux normes et aux règlements locaux.
- Portez une attention particulière à l'emplacement où l'appareil est installé. Le frigorigène est plus lourd que l'air et des endroits comme un sous-sol ou un vide sanitaire permettant au frigorigène de s'accumuler peuvent devenir dangereux.
- Cet appareil ne doit pas être utilisé par des personnes (y compris les enfants) ayant des capacités physiques, sensorielles ou mentales réduites, ou manquant d'expérience et de connaissances à moins qu'elles n'aient été formées ou supervisées pour l'utilisation de cet appareil par une personne responsable de leur sécurité.
- Si le câble d'alimentation est endommagé, afin d'éviter un danger, il doit être remplacé par le fabricant, son agent de service ou d'autres personnes ayant les qualifications semblables.
- N'utilisez pas de frigorigène autre que le type indiqué dans les manuels fournis avec l'appareil ou sur la plaque signalétique.
 - Cela pourrait causer l'éclatement de l'appareil ou des tuyaux, ou causer un incendie explosif durant l'utilisation, la réparation ou lors de l'élimination de l'appareil.
 - Cela pourrait aussi être en contravention des lois applicables.
 - MITSUBISHI ELECTRIC CORPORATION ne peut pas être tenue responsable des défaillances ou des accidents résultant de l'utilisation du mauvais type de frigorigène.

3.2. Précautions pour les dispositifs qui utilisent du frigorigène R410A



ATTENTION

- N'utilisez pas la tuyauterie de frigorigène en place.
 - L'ancien frigorigène et l'ancienne huile de réfrigération se trouvant dans la tuyauterie existante contiennent une grande quantité de chlore, ce qui pourrait causer la détérioration de l'huile de réfrigération du nouvel appareil.
- Utilisez des tuyaux de frigorigène faits de cuivre désoxydé au phosphore C1220 (Cu-DHP), comme spécifié dans la norme JIS H3300 « Tubes et tuyaux sans joints de cuivre et d'alliage de cuivre » (Copper and copper alloy seamless pipes and tubes). De plus, assurez-vous que les surfaces internes et externes des tuyaux sont propres et non contaminées par des sulfures dangereux, des oxydes, de la poussière ou de la saleté, des éclats de métal, des huiles, de l'humidité ou tout autre contaminant.
 - Des contaminants à l'intérieur de la tuyauterie de frigorigène pourraient causer la dégradation de l'huile de réfrigération résiduelle.
- Entreposez à l'intérieur les tuyaux à utiliser dans le cadre de l'installation et gardez les deux extrémités des tuyaux scellées jusqu'au dernier moment avant le brasage. (Entreposez les coudes et les autres joints dans un sac de plastique.)
 - Si de la poussière, de la saleté ou de l'eau entre dans le cycle de frigorigène, il pourrait s'ensuivre une détérioration de l'huile et des problèmes de compresseur.
- Utilisez un frigorigène liquide afin de remplir le système.
 - Si on utilise un frigorigène gazeux afin de sceller le système, la composition du frigorigène dans la bouteille sera modifiée et la performance pourrait en souffrir.
- N'utilisez pas de frigorigène autre que le R410A.
 - Si un autre frigorigène est utilisé, le chlore dans le frigorigène pourrait causer la détérioration de l'huile de réfrigération.
- Utilisez une pompe à vide avec un clapet antiretour.
 - L'huile de la pompe à vide pourrait retourner dans le cycle de frigorigène et causer la détérioration de l'huile de réfrigération.
- N'utilisez pas les outils suivants qui sont utilisés avec les frigorigènes conventionnels.
 - Collecteur de jauge, tuyau de remplissage, détecteur de fuite de gaz, clapet antiretour, base de charge de frigorigène, manomètre à dépression, équipement de récupération du frigorigène.
 - Si du frigorigène conventionnel et de l'huile de réfrigération sont mélangés dans le R410A, le frigorigène pourrait subir une détérioration.
 - Si de l'eau est mélangée dans le R410A, l'huile de réfrigération pourrait se détériorer.
 - Puisque le R410A ne contient pas de chlore, les détecteurs de fuite de gaz pour les frigorigènes conventionnels ne réagiront pas à sa présence.
 - N'utilisez pas de bouteille de charge. Cela peut causer la détérioration du frigorigène.
- Soyez particulièrement prudent lorsque vous manipulez les outils.
 - Si de la poussière, de la saleté ou de l'eau pénètrent dans le circuit de réfrigération, le frigorigène pourrait se détériorer.

3.3. Avant de commencer



ATTENTION

- N'installez pas l'appareil là où il pourrait y avoir des fuites de gaz combustible.
 - Si le gaz fuit et s'accumule autour de l'appareil, une explosion pourrait s'ensuivre.
- N'utilisez pas le climatiseur dans des environnements spéciaux.
 - L'huile, la vapeur, la fumée sulfurique, etc. peuvent réduire de manière importante le rendement du climatiseur ou endommager ses pièces.
- Lors de l'installation de l'appareil dans un hôpital, un poste de communication ou un endroit similaire, fournissez une protection suffisante contre le bruit.
 - Les onduleurs, les groupes électrogènes privés, les équipements médicaux à haute fréquence ou l'équipement de communication radio pourraient faire en sorte que le climatiseur ne fonctionne pas ou ne fonctionne pas correctement. D'un autre côté, le climatiseur pourrait nuire au fonctionnement d'un tel équipement en créant un bruit qui nuit aux traitements médicaux ou à la diffusion d'images.
- N'installez pas l'appareil sur une structure qui pourrait causer des fuites.
 - Lorsque l'humidité de la pièce excède 80 % ou lorsque le tuyau de vidange est bouché, de la condensation pourrait dégoutter de l'appareil intérieur. Effectuez les travaux de vidange collective en même temps que pour l'appareil extérieur, comme requis.
- Lorsque la température du point de rosée ambiant dépasse 24 °C (75 °F), de la rosée peut se former sur la surface de l'appareil. Exécuter le traitement adéquat pour éviter la formation de condensation.

3.4. Avant l'installation (déplacement) – travaux électriques



ATTENTION

- Mettez l'appareil à la terre.
 - Ne connectez pas le câble de mise à la terre à des tuyaux de gaz ou d'eau, à des parafoudres ou à des lignes de mise à la terre de téléphone. Une mise à la terre incorrecte pourrait mener à une électrocution.
- Installez le câble d'alimentation de manière à ce que le câble ne soit pas soumis à une tension physique.
 - Une tension physique pourrait causer la rupture du câble et la génération de chaleur, menant à un incendie.
- Installez un disjoncteur de fuite de terre, au besoin.
 - Si un disjoncteur de fuite de terre n'est pas installé, une électrocution pourrait s'ensuivre. Utilisez des câbles de ligne d'alimentation ayant une intensité nominale suffisante. Des câbles trop petits pourraient fuir, générer de la chaleur et causer un incendie.
- Utilisez des câbles de ligne d'alimentation ayant une intensité nominale suffisante.
 - Des câbles trop petits pourraient fuir, générer de la chaleur et causer un incendie.
- Utilisez uniquement un disjoncteur et un fusible de la capacité spécifiée.
 - Un fusible ou un disjoncteur d'une plus grande capacité, ou un fil d'acier ou de cuivre pourraient mener à une défaillance générale de l'appareil ou à un incendie.
- Ne lavez pas les appareils de climatisation.
 - Les laver pourrait causer une électrocution.
- Assurez-vous que la base d'installation n'est pas endommagée par une utilisation prolongée.
 - Si les dommages ne sont pas corrigés, l'appareil pourrait tomber et causer des blessures ou des dommages.
- Installez le tuyau de vidange conformément à ce manuel d'installation afin d'assurer une vidange adéquate. Enveloppez les tuyaux d'isolation thermique afin d'éviter la condensation.
 - Une tuyauterie de vidange incorrecte peut causer des fuites d'eau et des dommages à l'ameublement et à d'autres biens.
- Soyez très prudent lors du transport du produit.
 - Si le produit pèse plus de 20 kg [44 lb], il faut plus d'une personne pour le transporter.
 - Certains produits utilisent des bandes de PP pour l'emballage. N'utilisez pas les bandes de PP comme poignées de transport.
 - Ne touchez pas les ailettes d'échangeur de chaleur. Vous pourriez vous couper les doigts.
- Mettez les matériaux d'emballage au rebut de manière sécuritaire.
 - Les matériaux d'emballage, comme les clous et les autres pièces de métal ou de bois, pourraient causer des lésions par perforation ou d'autres blessures.
 - Déchirez et jetez les sacs d'emballage en plastique afin que les enfants ne puissent pas jouer avec eux. Si des enfants jouent avec un sac en plastique qui n'a pas été déchiré, ils sont exposés à un risque d'asphyxie.

3.5. Avant de commencer l'essai



ATTENTION

- Allumez l'alimentation au moins 12 heures avant le début de l'opération.
 - La mise en marche immédiatement après la mise en circuit de l'interrupteur principal peut mener à de graves dommages aux composantes internes. Gardez l'interrupteur d'alimentation allumé pendant la saison de fonctionnement.
- Ne touchez pas aux interrupteurs avec les mains mouillées.
 - Toucher un interrupteur avec les mains mouillées peut causer une électrocution.
- Ne touchez pas les tuyaux de frigorigènes pendant le fonctionnement et immédiatement après.
 - Pendant le fonctionnement et immédiatement après, les tuyaux de frigorigène pourraient être chauds ou froids, selon l'état du frigorigène s'écoulant dans les tuyaux de frigorigène, du compresseur et des autres composantes du cycle de frigorigène. Si vous touchez les tuyaux de frigorigène, vos mains pourraient subir des brûlures ou des engelures.
- Ne faites pas fonctionner le climatiseur lorsque les protections et les panneaux sont retirés.
 - Les pièces en rotation, les pièces chaudes et les pièces à haute tension peuvent causer des blessures.
- Ne coupez pas l'alimentation immédiatement après l'arrêt du fonctionnement.
 - Attendez toujours au moins cinq minutes avant de couper l'alimentation. Autrement, des fuites d'eau et des problèmes pourraient survenir.

4. Accessoires de l'appareil intérieur

N° de pièce		Quantité
1	Attache en plastique	4
2	Tube en plastique	2
3	Manuel d'installation	1
4	Manuel d'utilisation	1
5	Joint de bac d'égouttement	2

5. Sélection de l'emplacement d'installation

- Évitez les emplacements exposés à l'air extérieur.
- Choisissez un emplacement sans obstruction de l'entrée et de la sortie d'air de l'appareil.
- Évitez les emplacements exposés à la vapeur.
- Évitez les emplacements où du gaz combustible pourrait fuir, s'accumuler ou être généré.
- Évitez l'installation près de machines émettant des ondes à haute fréquence (soudeuses à haute fréquence, etc.).
- Évitez les endroits où le débit d'air est dirigé vers un capteur d'alarme d'incendie. (L'air chaud durant le fonctionnement pourrait déclencher l'alarme.)
- Évitez les endroits où des solutions acides sont fréquemment manipulées.
- Évitez les endroits où des produits à base de soufre ou autres sont fréquemment pulvérisés.
- Lorsque l'appareil de traitement de l'air est installé en position horizontale, veuillez installer le bac d'égouttement sous toute l'enceinte.
- Installez une isolation thermique suffisante pour prévenir la formation de condensation sur les conduits de sortie et d'entrée.

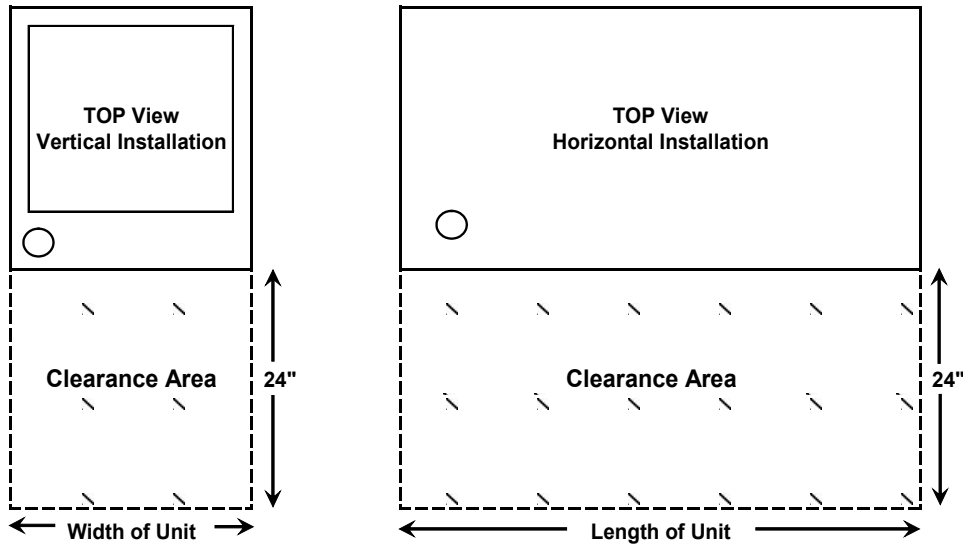
6. Combinaison des appareils intérieurs et extérieurs

Pour combiner les appareils intérieurs aux appareils extérieurs, consultez le manuel d'installation de l'appareil extérieur.

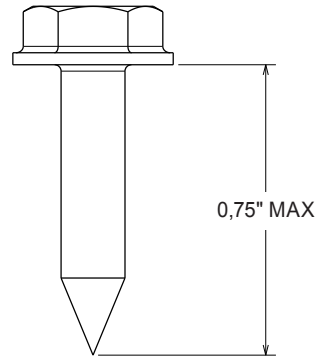
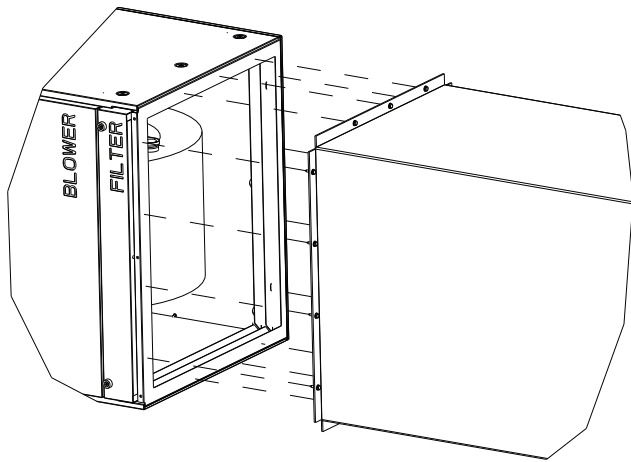
7. Installation de l'appareil

L'appareil de traitement de l'air peut être installé en position verticale ou horizontale (gauche et droite) comme montré aux étapes 9.1. à 9.3. Les appareils sont conçus avec un dégagement zéro « 0 » des matières combustibles. 24 po (610 mm) sont requis afin de pouvoir accéder à l'avant de l'appareil pour la réparation (consultez les dégagements d'installation). Sans égard à la configuration d'installation, l'appareil de traitement de l'air doit être monté de niveau afin de permettre le drainage adéquat de la condensation.

Dégagements d'installation



8. Raccordement des conduits

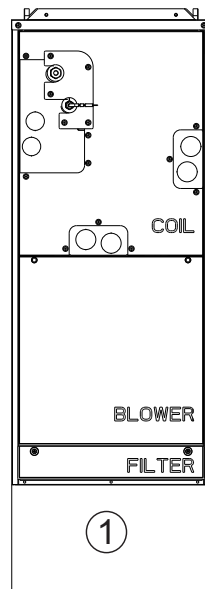


- Consultez les dessins pour connaître la taille du raccordement de conduit.
- Utilisez des conduits à brides pour le raccordement au retour d'air.
- N'utilisez pas de vis à tôle de plus de 0,75 po (19 mm) pour fixer les conduits à l'appareil de traitement de l'air.

9. Positions de montage

9.1. Installations verticales

L'appareil de traitement de l'air doit être supporté sur le fond seulement et posé dans un mur solide avec un plénum en dessous ou un cadre ou plénum porteur fourni sur place. Fixez solidement l'appareil de traitement de l'air au plancher ou au cadre ou plénum porteur.



① Plénum

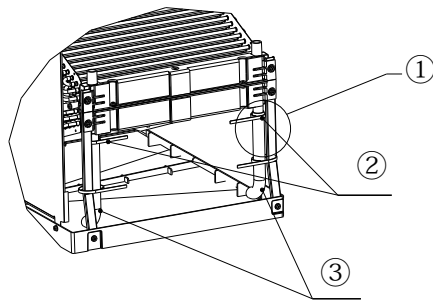
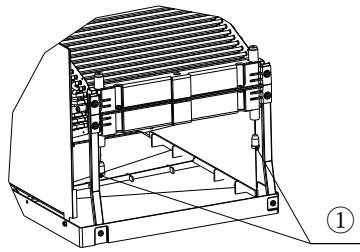
FRANÇAIS

9.2. Installation horizontale droite

Consultez la section 9.3. Suivez les étapes 1 à 4 et 12 pour la dépose de l'ensemble du serpentin complet de l'enceinte de l'appareil de traitement de l'air. Cela nécessite la dépose du filtre, de la soufflante et des panneaux de serpentin, ainsi que des ferrures retenant l'ensemble du serpentin. Veillez à débrancher le connecteur étanche afin de reposer le serpentin de l'enceinte.

Une fois le serpentin déposé, les deux tubes de plastique inclus dans le sac d'accessoires doivent être installés sur le bac d'égouttement supérieur. D'abord, enlevez les bouchons en caoutchouc inférieurs du bac d'égouttement supérieur. Installez ensuite les tubes en plastique incolore inclus dans le sac d'accessoires. Assurez-vous que les tubes en plastique débouchent dans le bac. De plus, assurez-vous que les tubes en plastique incolore n'ont pas de restrictions. Il est nécessaire de couper les tubes en plastique, veuillez consulter le tableau pour connaître la longueur. Enfin, fixez les tubes en plastique incolore au bac d'égouttement supérieur conformément au Détail A et puis aux ferrures supportant le serpentin sur le bac d'égouttement supérieur à l'aide des attaches en plastique, comme montré.

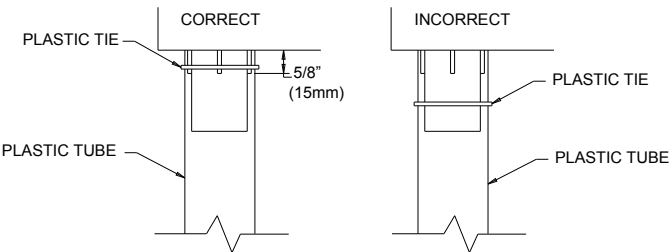
① Bouchons



① DÉTAIL A

② Fixez avec 2 attaches en plastique de chaque côté.

③ Assurez-vous que les 2 tubes en plastique débouchent dans le bac.



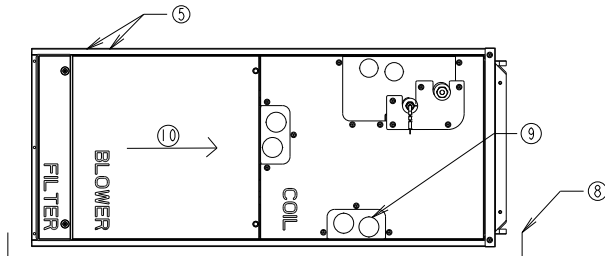
Modèle	Longueur du tube
SVZ-KP12, 18, 24	4,9 po (125 mm)
SVZ-KP30, 36	6,9 po (175 mm)

DÉTAIL A

Réinstallez l'ensemble du serpentin avec les ferrures qui servent à le fixer. Ne pas réinstaller les ferrures entraînera une perte de capacité et la formation de condensation dans l'enceinte. Reconnectez le connecteur étanche à l'intérieur de la section de serpentin. Reportez-vous à 9.3. Exécutez les étapes 1 à 4 dans l'ordre inverse pour remonter les panneaux. Assurez-vous que les bonnes débouchures sont enlevées pour le drainage et les raccordements électriques.

**NOTE**

Pour l'installation horizontale, un bac d'égouttement auxiliaire doit être installé.



- ⑤ Débouchures électriques
- ⑧ Bac d'égouttement auxiliaire
- ⑨ Drain principal de 3/4 po FPT
- ⑩ Courant d'air

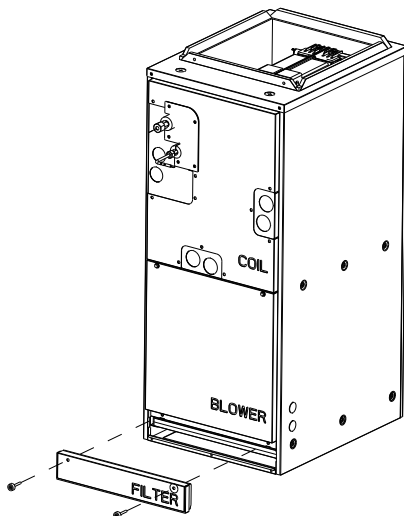
Horizontale à droite

Rotation de l'ensemble de la soufflante non requise

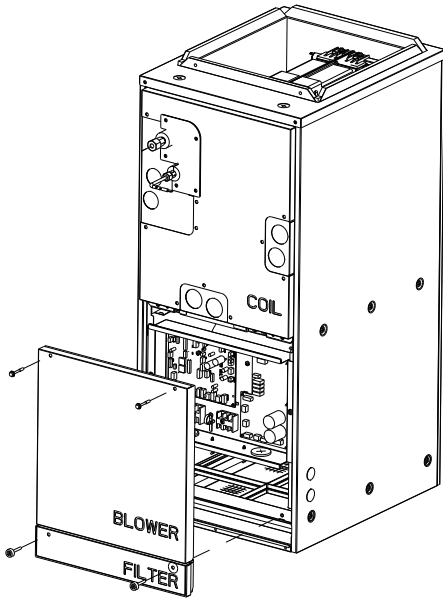
9.3. Installations horizontales à gauche

Pour les installations horizontales à gauche, le bac d'égouttement doit être déplacé du côté opposé du serpentin. Cela peut être réalisé en déplaçant les deux ferrures et le bac d'égouttement du côté gauche du serpentin. De cette manière, le condensat qui se forme sur le serpentin tombera dans le bac d'égouttement. Il faudra aussi défoncer les débouchures correspondantes de drainage lorsque le bac d'égouttement est dans la bonne position. En plus de déplacer le bac d'égouttement latéral, l'ensemble de la soufflante doit aussi être déposé, tourné sur 180° et réinstallé. Le moteur doit être vers le sol. Les deux tubes de plastique incolore inclus dans le sac d'accessoires doivent aussi être installés sur le bac d'égouttement supérieur. Reportez-vous aux instructions ci-dessous.

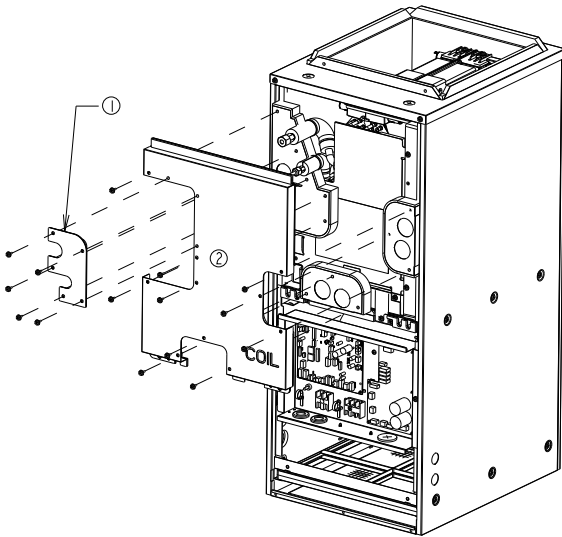
Instruction pour la soufflante rotative dans une installation horizontale à gauche :



Étape. 1 Déposez le panneau marqué « FILTER » (filtre).

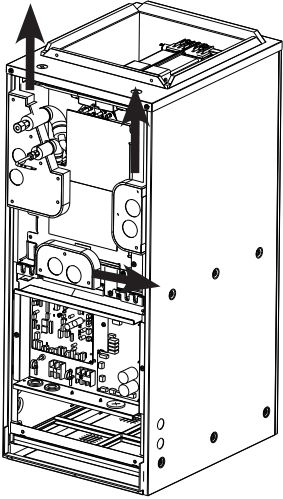


Étape. 2 Déposez le panneau marqué « BLOWER » (soufflante).

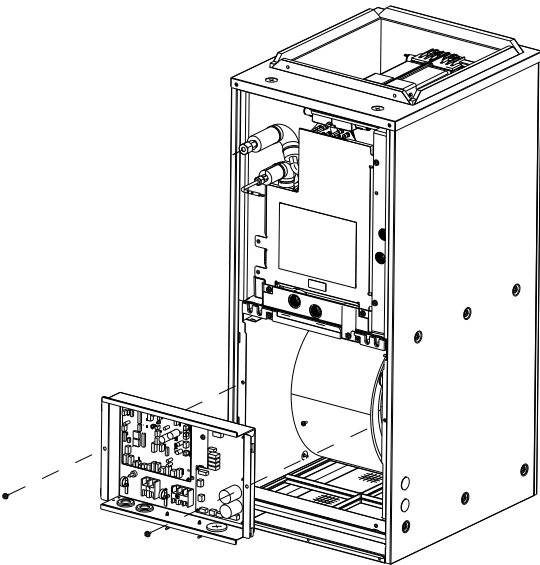


- ① 1er
- ② 2e

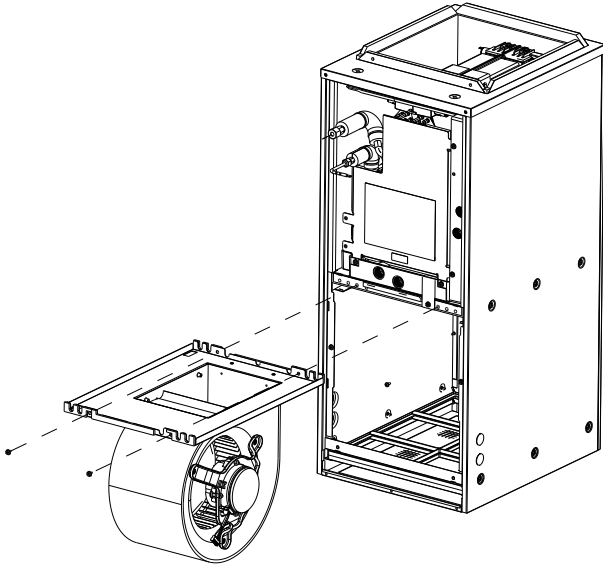
Étape. 3a Déposez les vis retenant les (3) panneaux sur le panneau COIL (serpentin) montrées dans l'image ci-dessus. Déposez le 1er et le 2e panneau marqué « COIL » (serpentin).



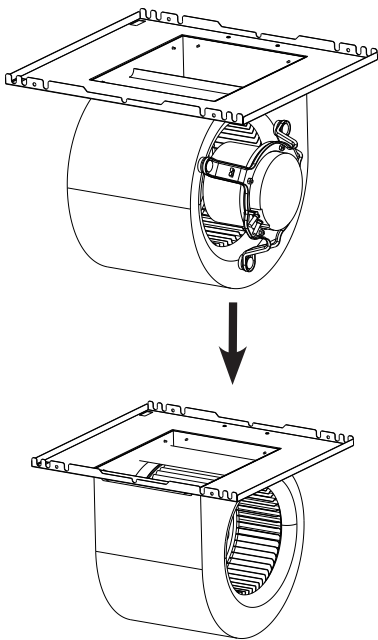
Étape. 3b Ensuite, déposez les petits panneaux couvrant les orifices de drainage et les conduites de frigorigène en les glissant dans le sens indiqué ci-dessus.



Étape. 4 Déposez toutes les connexions électriques entrant dans le boîtier de commande. Cela comprend le connecteur du moteur. Sortez ces faisceaux de câblage du boîtier de commande. Ensuite, déposez les (2) vis indiquées dans l'image et déposez le boîtier de commande de l'appareil de traitement de l'air.

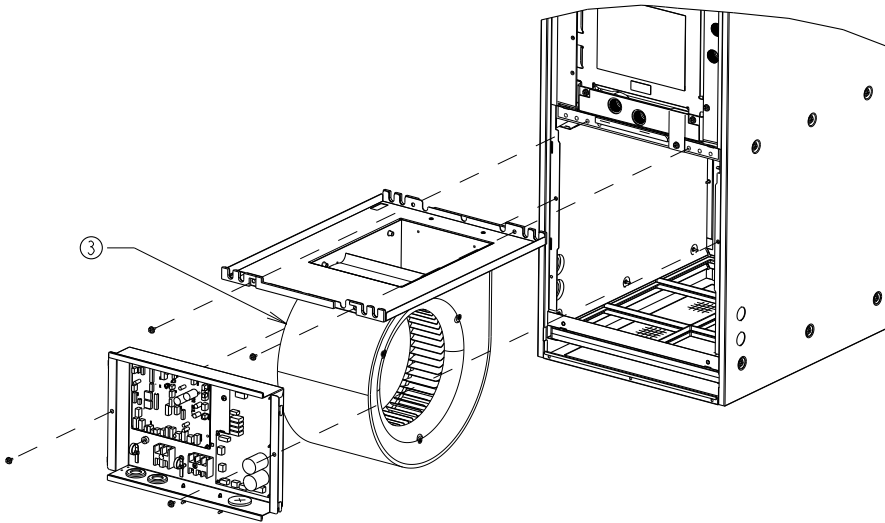


Étape. 5 Déposez les (2) vis indiquées dans l'image et glissez l'ensemble de la soufflante complet hors de l'enceinte.



Étape. 6 Tournez l'ensemble de la soufflante sur 180°. Le moteur devrait maintenant être du côté opposé.

③ Moteur à gauche

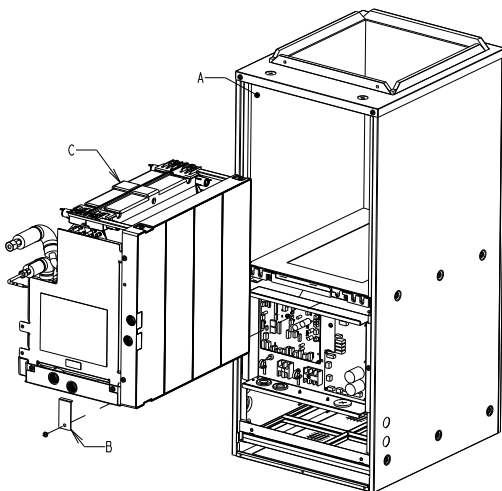


Étape. 7 Réinstallez l'ensemble de la soufflante avec le moteur maintenant du côté gauche dans l'enceinte de l'appareil de traitement de l'air et réutilisez les (2) vis qui fixaient l'ensemble en place. Réacheminez le connecteur du moteur dans l'enceinte et rebranchez-le. Réinstallez le boîtier de commande.



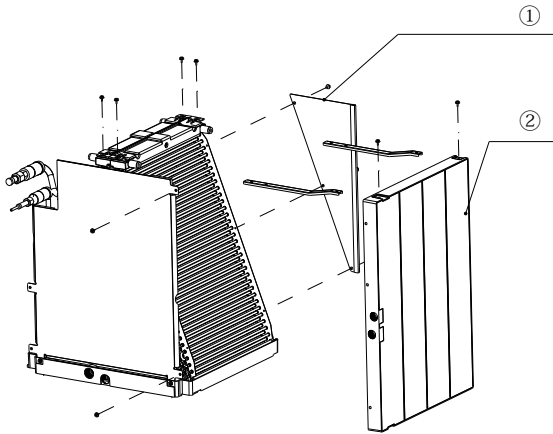
NOTE

Il pourrait être nécessaire de retirer le faisceau de câblage des agrafes en plastique montées sur le support du moteur afin qu'il soit assez long pour se rendre à la boîte électrique montée sur l'ensemble de la soufflante. Assurez-vous que le faisceau est attaché de manière à ne pas être aspiré dans le ventilateur.



Étape. 8

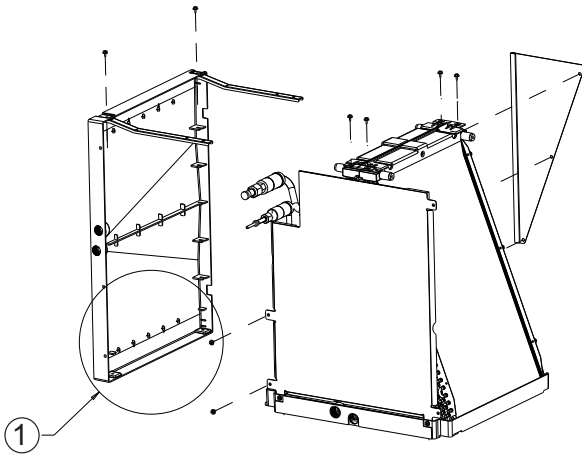
- A. Débranchez le faisceau étanche de la thermistance à l'intérieur du logement du serpentin dans l'enceinte.
- B. Déposez les ferrures qui retiennent l'ensemble du serpentin.
- C. Glissez l'ensemble du serpentin hors de l'enceinte de l'appareil de traitement de l'air.



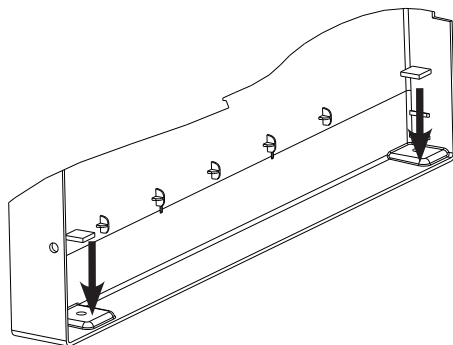
- ① Guide de plaque arrière
- ② Bac d'égouttement latéral

Étape. 9 Déposez le guide de plaque arrière (3 vis) et le bac d'égouttement latéral (4 vis), ainsi que les ferrures de support (4 vis) de l'ensemble du serpentin.

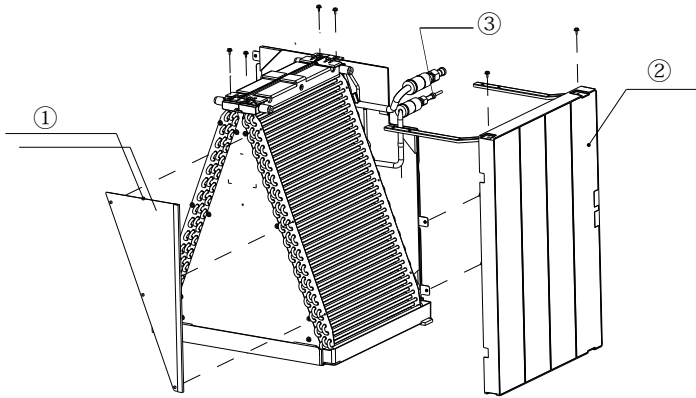
① DÉTAIL B



Étape. 10a Installez les (2) joints de bac d'égouttement inclus dans le sac d'accessoires, comme montré ci-dessus. Ces joints couvrent les trous inutilisés dans le bac d'égouttement latéral afin de prévenir les fuites.

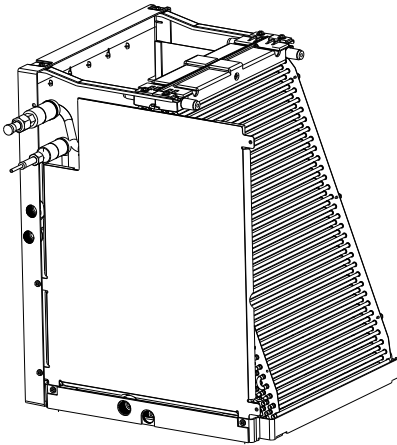


DÉTAIL B



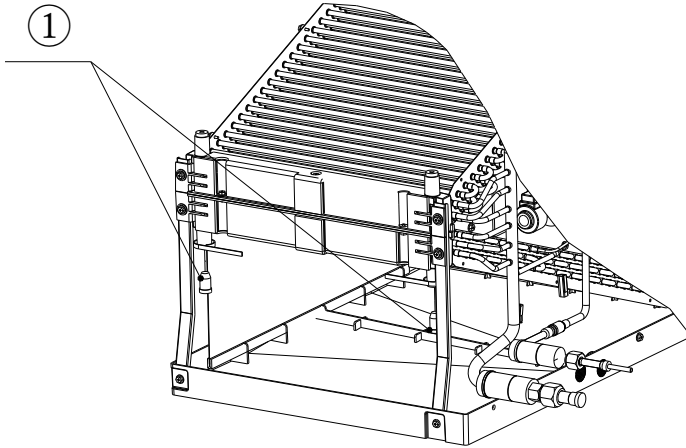
- ① Guide de plaque arrière
- ② Bac d'égouttement latéral
- ③ Tuyauterie

Étape. 10b Réinstallez les supports du côté opposé du bac de drainage latéral. Le bac de drainage latéral sera réinstallé du côté opposé de l'ensemble du serpentin. Rattachez le guide de plaque arrière du côté opposé de l'ensemble du serpentin.



Étape terminée. 10b
Vue de l'ensemble du serpentin horizontal à gauche.

① Bouchons en caoutchouc

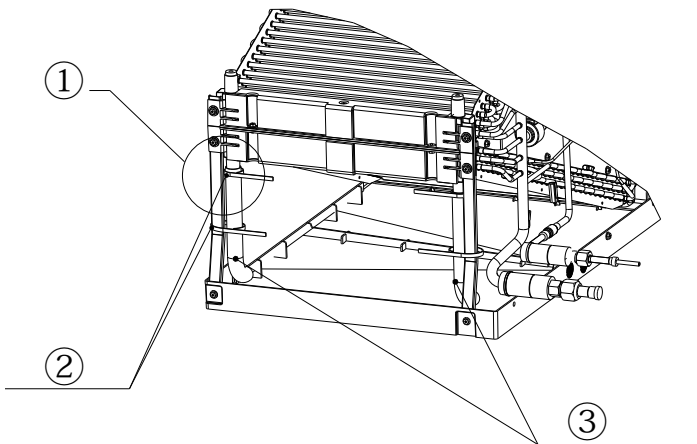


Étape. 10c Déposez les bouchons indiqués dans l'image ci-dessus.

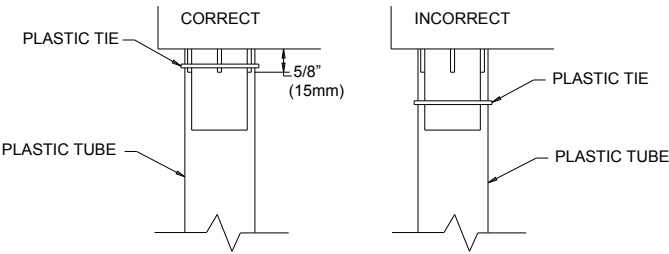
① DÉTAIL A

② 2 attaches en plastique de chaque côté

③ Assurez-vous que les 2 tubes en plastique débouchent dans le bac d'égouttement.



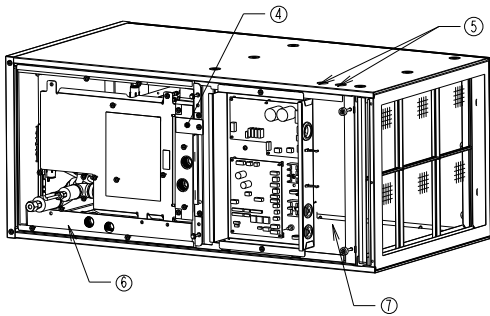
Étape. 10d Installez ensuite les tubes en plastique incolore inclus dans le sac d'accessoires. Assurez-vous que les tubes en plastique débouchent dans le bac. De plus, assurez-vous que les tubes en plastique incolore n'ont pas de restrictions. Il est nécessaire de couper les tubes en plastique, veuillez consulter le tableau pour connaître la longueur. Enfin, fixez les tubes en plastique incolore au bac d'égouttement supérieur conformément au Détail A et puis aux ferrures supportant le serpentin sur le bac d'égouttement supérieur à l'aide des attaches en plastique, comme montré.



Modèle	Longueur du tube
SVZ-KP12, 18, 24	4,9 po (125 mm)
SVZ-KP30, 36	6,9 po (175 mm)

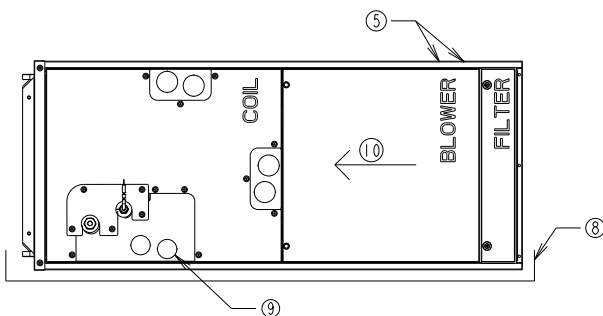
DÉTAIL A

FRANÇAIS



- ④ Rattachez les ferrures
- ⑤ Débouchures électriques
- ⑥ Bac d'égouttement latéral dans le fond
- ⑦ Moteur vers le bas

Étape. 11 Réinstallez l'ensemble du serpentin avec les ferrures qui le fixent. Ne pas réinstaller les ferrures entraînera une perte de capacité et la formation de condensation dans l'enceinte. Assurez-vous que le faisceau de la thermistance est connecté dans le logement du serpentin dans l'enceinte. Reportez-vous aux étapes 1 à 4 de la section 9.3 pour remonter les panneaux. Assurez-vous que les bonnes débouchures sont enlevées pour le drainage et les raccordements électriques.



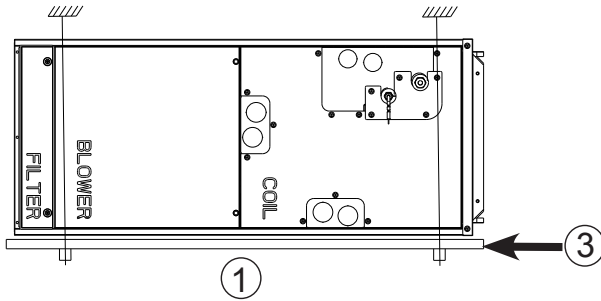
- ⑤ Débouchures électriques
- ⑧ Bac d'égouttement auxiliaire
- ⑨ Drain principal de 3/4 po FPT
- ⑩ Courant d'air

Horizontal à gauche

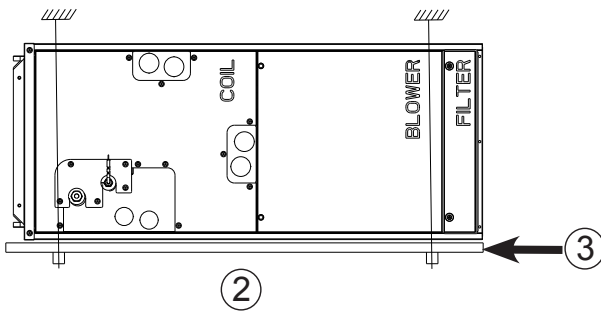
Rotation de l'ensemble de la soufflante requis.

Montage horizontal

L'appareil peut être installé sur une plateforme ou suspendu à des rails comme montré ci-dessous. Les rails doivent être de la même longueur que l'appareil avec une résistance suffisante pour soutenir le poids de l'appareil et des conduits qui y sont raccordés. L'isolement des vibrations est recommandé pour les installations horizontales. Certains territoires peuvent exiger l'installation d'un bac d'égouttement auxiliaire sous l'appareil. Observez toujours les exigences des codes du bâtiment locaux et nationaux.



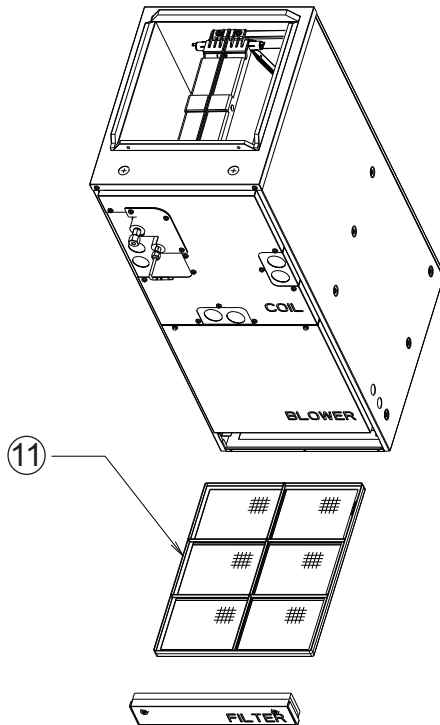
- ① Montage sur plateforme
- ② Montage suspendu
- ③ Bac d'égouttement auxiliaire



10. Filtre à air

Un filtre à air lavable (réutilisable) est fourni avec l'appareil de traitement de l'air. Le filtre peut être installé une fois que l'appareil est retiré de son emballage. Nous recommandons de laver le filtre une fois par mois. La chute de pression sera déterminée par l'entrepreneur installateur en fonction de la pression statique globale du système, incluant le dimensionnement des conduits d'alimentation et de retour. Le facteur de rendement de pression statique à l'usine est de 0,50 po PSE. Des réglages à 0,30 et 0,80 PSE sont possibles. Reportez-vous aux instructions pour changer la PSE à 0,30 ou 0,80 dans la section sur l'électricité (13.4.).

⑪ FILTRE



11. Travaux de tuyauterie de frigorigène

Pour les contraintes en matière de longueur des tuyaux et de l'écart de hauteur permis, reportez-vous à la section sur la conception du manuel d'ingénierie.

La méthode de raccordement des tuyaux sur l'appareil de traitement de l'air est la connexion évasée.

Fournissez des renforts adéquats pour la tuyauterie de frigorigène afin qu'aucune charge ne soit exercée sur les raccords à l'appareil de traitement de l'air.



AVERTISSEMENT

Lors de l'installation ou du déplacement de l'appareil, ne le chargez pas de frigorigène autre que celui spécifié sur l'appareil. Le mélange de différents frigorigènes, d'air, etc. peut causer la défaillance du cycle de frigorigène et entraîner de graves dommages.



ATTENTION

Utilisez des tuyaux de frigorigène faits de cuivre désoxydé au phosphore C1220 (Cu-DHP), comme spécifié dans la norme ASTM B280 pour les tubes et tuyaux sans joints de cuivre et d'alliage de cuivre. De plus, assurez-vous que les surfaces internes et externes des tuyaux sont propres et non contaminées par des sulfures dangereux, des oxydes, de la poussière ou de la saleté, des éclats de métal, des huiles, de l'humidité ou tout autre contaminant. N'utilisez jamais la tuyauterie de frigorigène existante.



ATTENTION

SERPENTIN SOUS PRESSION

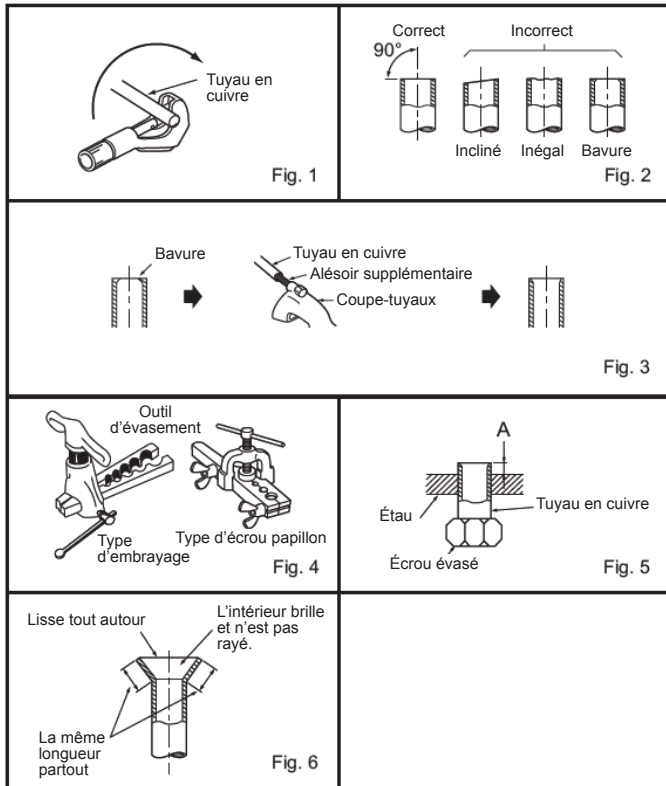
Portez toujours des lunettes de sécurité lorsque vous travaillez à proximité d'appareils sous pression. Les appareils de traitement de l'air sont expédiés avec une charge de maintien d'azote dans le serpentin. Observez soigneusement ces instructions pour relâcher la charge.

Desserrez lentement l'écrou évasé à l'extrémité du tuyau pour libérer le gaz.

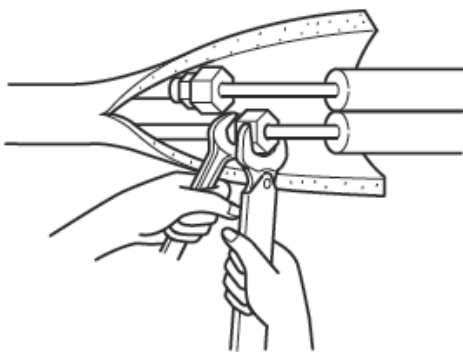
Les deux canalisations de frigorigène doivent être complètement isolées jusqu'à l'enceinte. Assurez-vous que les ouvertures de l'enceinte autour des canalisations de frigorigène sont calfeutrées. De l'isolation de 3/8 po (10 mm) d'épaisseur est le minimum recommandé. En fonction des conditions ambiantes, des codes locaux et de la longueur des canalisations, de l'isolation plus épaisse peut être désirable.

N'enduipez pas les filets des écrous évasés d'huile. Cela peut causer le desserrement des écrous évasés et des fuites de frigorigène.

Diamètre du tuyau, po (mm)	Écrou (mm)	A, po (mm)	Couple de serrage	
		Outil d'embrayage pour R410A	N•m	lb•pi (kgf•cm)
1/4 (6,35)	(17)	0 à 0,02 (0 à 0,5)	13,7 à 17,7	10 à 13 (140 à 180)
3/8 (9,52)	(22)		34,3 à 41,2	25 à 30 (350 à 420)
1/2 (12,7)	(26)		49,0 à 56,4	36 à 42 (500 à 575)
5/8 (15,88)	(29)		73,5 à 78,4	54 à 58 (750 à 800)



FRANÇAIS



- N'utilisez jamais la tuyauterie de frigorigène existante.

- La grande quantité de chlore se trouvant dans l'huile et le frigorigène conventionnels dans la tuyauterie existante causera la dégradation du nouveau frigorigène.
- Entrez à l'intérieur les tuyaux à utiliser dans le cadre de l'installation et gardez les deux extrémités des tuyaux scellées jusqu'au dernier moment avant le brasage.
- Si de la poussière, de la saleté ou de l'eau entre dans le cycle de frigorigène, l'huile sera détériorée et le compresseur pourrait connaître une défaillance.
- Utilisez de l'huile ester, de l'huile éther ou de l'alkyle-benzène (en petites quantités) en tant qu'huile de réfrigération afin d'enduire les connexions évasées.
- Le frigorigène utilisé dans l'appareil est fortement hygroscopique : il se mélangera avec l'eau et mènera à la dégradation de l'huile de réfrigération.

11.1. Isolation

Afin d'éviter la condensation, fournissez une isolation suffisante pour les tuyaux de frigorigène et de vidange. Lors de l'utilisation de tuyaux de frigorigène disponibles sur le marché, assurez-vous d'enrouler du matériau isolant sur les tuyaux de gaz aussi bien que de liquide. Le matériel isolant pouvant résister à une température supérieure à 100 °C [212 °F] et de l'épaisseur indiquée ci-dessous est disponible sur le marché. Isolez tous les tuyaux intérieurs d'isolation au polyéthylène d'une densité minimum de 0,03 et de l'épaisseur spécifiée dans le tableau ci-dessous.

Taille de tuyau	Épaisseur de l'isolation
6,4 à 25,4 mm [1/4 à 1 po]	>10 mm [7/16 po]
28,6 à 38,1 mm [1 1/8 à 1 1/2 po]	>15 mm [5/8 po]

- Si l'appareil est utilisé à l'étage le plus élevé d'un bâtiment, à température et humidité élevées, il faut utiliser une taille de tuyaux et une épaisseur d'isolant supérieures à celles indiquées dans le tableau ci-dessus.
- S'il y a des spécifications du client, veuillez les suivre.

11.2. Taille des tuyaux

Modèle		SVZ-KP•NA				
		12	18	24	30	36
Tuyau de frigorigène	Tuyau de liquide	6,35 mm [1/4 po]			9,52 mm [3/8]	
	Tuyau de gaz	9,52 mm [3/8 po]	12,7 mm [1/2 po]	15,88 mm [5/8]		
Tuyau de vidange		D.E. 32 mm [1 1/4 po]				

12. Raccordements de vidange

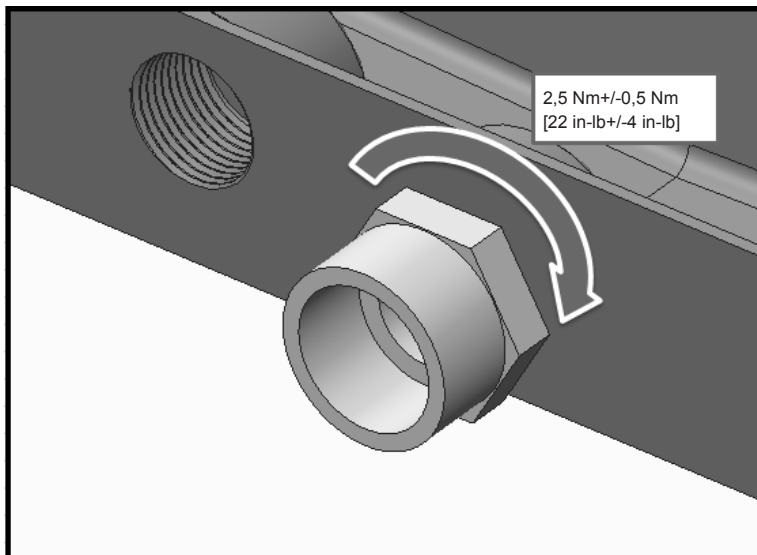


IMPORTANT

Le serrage excessif des raccords de vidage peut entraîner la fracture et la défaillance du bac d'égouttement.

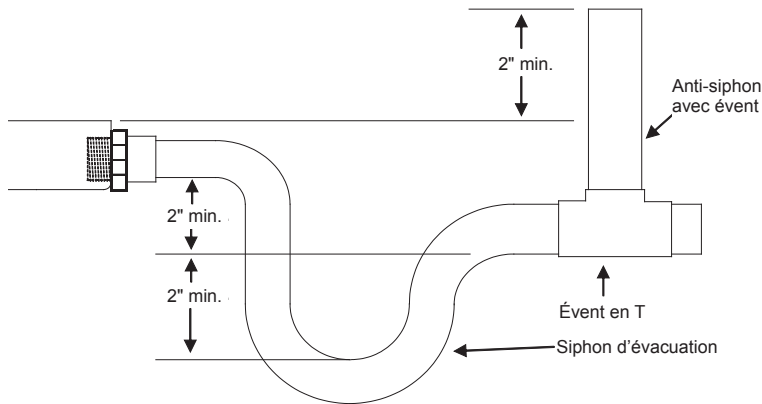
Veuillez observer la technique suivante pour l'installation de l'adaptateur de bac d'égouttement :

1. Posez deux (2) tours de ruban scellant se chevauchant.
2. Serrez l'adaptateur de bac d'égouttement à 2,5 Nm \pm 0,5 [22 po-lb \pm 4].



L'appareil de traitement de l'air comporte des raccords de vidant FPT de $\frac{3}{4}$ po. Lorsque l'appareil est installé à la verticale, il y a un jeu. Lorsque l'appareil est installé à l'horizontale, il y a un jeu. Chaque jeu comprend un drain principal et un drain secondaire ou auxiliaire. Le drain principal est celui le plus bas (de niveau avec le fond du bac). Le drain secondaire est à un niveau plus élevé. Ils sont étiquetés dans les dessins dimensionnels ci-dessus.

- Ces appareils fonctionnent sous pression positive aux raccords de vidange et **bien qu'un siphon ne soit pas requis, il est recommandé d'en utiliser un afin de prévenir la perte de capacité. Observez toujours les codes et les normes locales.**
- Le siphon doit être installé aussi près de l'appareil que possible. Assurez-vous que le haut du siphon est en dessous du raccord au bac d'égouttement afin de permettre le drainage complet du bac.
- Inclinez la canalisation de vidange d'au moins $\frac{1}{4}$ po par pied (20 mm par mètre).
 - Ne réduisez pas la taille du tuyau de $\frac{3}{4}$ po (19 mm), car cela pourrait causer l'obstruction prématurée des canalisations.
 - Ne faites pas de brasage près de la tuyauterie de vidange en plastique.



NOTE

Les longueurs horizontales doivent aussi avoir une prise d'air antisiphon (colonne montante) installée avant le tronçon horizontal pour éliminer l'emprisonnement d'air. Les canalisations de vidange horizontales doivent être inclinées d'au moins $\frac{1}{4}$ po par pied (20 mm par mètre).

Acheminez les canalisations de vidange à l'extérieur ou à un drain adéquat. Les canalisations de vidange doivent être installées de manière à ne pas entraver l'accès à l'avant de l'appareil pour la réparation. Un dégagement de 24 po (610 mm) est requis pour l'entretien et la réparation de routine.



NOTE

Consultez les codes locaux avant de raccorder la canalisation de vidange à un système de drainage existant.

Isolez les canalisations de vidange aux endroits où la condensation pourrait causer des dommages. Une fois l'installation terminée, il incombe à l'installateur de s'assurer que les bacs d'égouttement captent tout le condensat et qu'il s'écoule adéquatement sans pénétrer dans les conduits ou le système.

Installation verticale :

Pour les installations verticales, le raccordement du drain principal de l'appareil de traitement de l'air est situé au centre de l'appareil. Le drain légèrement plus haut, à gauche, est le drain secondaire.

Posez le connecteur de drain et serrez-le **AU COUPLE SPÉCIFIÉ INDIQUÉ PLUS HAUT** calfeutrez-le et installez la canalisation de vidange.

**IMPORTANT**

Le serrage excessif du raccord de vidage peut entraîner la fracture et la défaillance du bac d'égouttement.

Le raccordement secondaire doit être relié à un système de vidange distinct. Disposez le drain secondaire de manière à ce que les occupants puissent remarquer l'écoulement d'eau par le drain secondaire indiquant que le drain principal est obstrué. Le drain secondaire peut être utilisé facultativement avec un interrupteur de débordement (fourni par un tiers) pour le drain principal. Ce dispositif arrête le refroidissement si jamais le drain principal devait s'obstruer. Reportez-vous à la section sur le câblage pour brancher ce dispositif.

Horizontal (à gauche ou à droite) :

Si l'appareil est installé à l'horizontale, défoncez la débouchure du panneau avant pour accéder aux raccords du bac d'égouttement latéral. Posez le connecteur comme décrit ci-dessus et acheminez la conduite de vidange. Toute ouverture verticale dans le bac d'égouttement doit être recouverte afin d'éliminer la perte d'air, ce qui réduirait la capacité de l'appareil.

**IMPORTANT**

Le serrage excessif du raccord de vidage peut entraîner la fracture et la défaillance du bac d'égouttement.

Le raccordement secondaire doit être relié à un système de vidange distinct. Disposez le drain secondaire de manière à ce que les occupants puissent remarquer l'écoulement d'eau par le drain secondaire indiquant que le drain principal est obstrué. Le drain secondaire peut être utilisé facultativement avec un interrupteur de débordement (fourni par un tiers) pour le drain principal. Ce dispositif arrête le refroidissement si jamais le drain principal devait s'obstruer. Reportez-vous à la section sur le câblage pour brancher ce dispositif.

13. Câblage électrique



AVERTISSEMENT

Des ingénieurs en électricité qualifiés doivent effectuer les travaux électriques conformément aux « Normes d'ingénierie pour les installations électriques » et aux manuels d'installation fournis. Si le circuit d'alimentation n'a pas une capacité suffisante ou n'est pas bien installé, il pourrait créer un risque d'électrocution ou d'incendie.

- Lors du câblage de ces appareils, assurez-vous de suivre les codes de l'électricité locaux et nationaux.
- Installez l'appareil de manière à empêcher le contact direct entre les câbles du circuit de commande (contrôleur à distance et câbles de transmission) et les câbles d'alimentation à l'extérieur de l'appareil.
- Assurez-vous qu'aucune tension n'est exercée sur les connexions.
- Certains câbles (alimentation, contrôleur à distance ou transmission) dans le plafond peuvent être endommagés accidentellement ou par des animaux. Dans la mesure du possible, utilisez des conduits pour prévenir les dommages.
- Ne connectez jamais le câble d'alimentation aux fils des câbles de transmission. Les câbles vont casser.
- Assurez-vous de connecter les câbles de commande à l'appareil intérieur, au contrôleur à distance et à l'appareil extérieur.
- Exécutez le câblage conformément aux règlements de sécurité contenus dans UL 1995.
- Assurez-vous d'installer un disjoncteur de fuite de terre sur l'alimentation.
- Installez l'appareil de manière à empêcher le contact direct entre les câbles du circuit de commande (contrôleur à distance et câbles de transmission) et les câbles d'alimentation à l'extérieur de l'appareil.
- Assurez-vous qu'il n'y a aucun jeu dans les connexions des fils.



ATTENTION

Assurez-vous de mettre l'appareil à la terre. Ne connectez pas le câble de mise à la terre à un tuyau de gaz, tuyau d'eau, parafoudre ou câble de mise à la terre de téléphone. La mise à la terre incomplète peut poser un risque d'électrocution. Afin d'éviter le danger si le câble d'alimentation est endommagé, il doit être remplacé par le fabricant, son agent de service ou d'autres personnes ayant les qualifications semblables.

Spécifications des entrées et sorties externes



ATTENTION

Le câblage doit être couvert par un tube isolant avec de l'isolant supplémentaire.

Utilisez des relais ou des interrupteurs répondant à la norme IEC ou à d'autres normes équivalentes.

La rigidité diélectrique entre les parties accessibles et le circuit de contrôle doit être de 2 750 V ou plus.

Câblage

Le câblage électrique de l'appareil de traitement de l'air vient de l'appareil extérieur. Veuillez vous reporter aux instructions d'installation de l'appareil extérieur.



ATTENTION

N'ALIMENTEZ PAS LE CHAUFFAGE ÉLECTRIQUE DE L'APPAREIL EXTÉRIEUR. SUIVEZ LE SCHÉMA DE CÂBLAGE CORRESPONDANT SE TROUVANT DANS LES INSTRUCTIONS DE L'APPAREIL DE CHAUFFAGE ÉLECTRIQUE.

13.1. Contrôleurs à distance

Connexion du contrôleur à distance et des câbles de transmission intérieurs et extérieurs

Branchez les fils « 1 » « 2 » du connecteur TB15 de l'appareil intérieur au contrôleur à distance. (Non polarisé, 2 conducteurs)



NOTE

Assurez-vous que le câblage n'est pas pincé lors de l'installation du couvercle de la boîte à bornes. Pincer le câblage pourrait le couper.



ATTENTION

Installez le câblage de manière à ce qu'il ne soit pas serré ni soumis à une tension physique. Le câblage soumis à une tension physique pourrait se briser ou surchauffer et brûler. Fixez le câblage de l'alimentation au boîtier de commande à l'aide d'un passe-fil ou d'une force de tension. (Connexion PG ou similaire.) Raccordez le câblage de transmission au bornier de transmission à travers la débouchure du boîtier de commande en utilisant un passe-fil ordinaire.



ATTENTION

Utilisez uniquement un disjoncteur et un fusible ayant les capacités appropriées. L'utilisation d'un fusible, de fils ou de fils de cuivre ayant une capacité trop élevée pourrait créer un risque de dysfonction ou d'incendie.

Lorsque le câblage est terminé, vérifiez à nouveau que les connexions ne présentent pas de jeu, puis fixez le couvercle sur le boîtier de commande dans l'ordre inverse de la dépose. Calfeutrez également toutes les ouvertures pratiquées dans l'appareil de traitement de l'air pour passer des fils. Cela empêchera les fuites d'air.

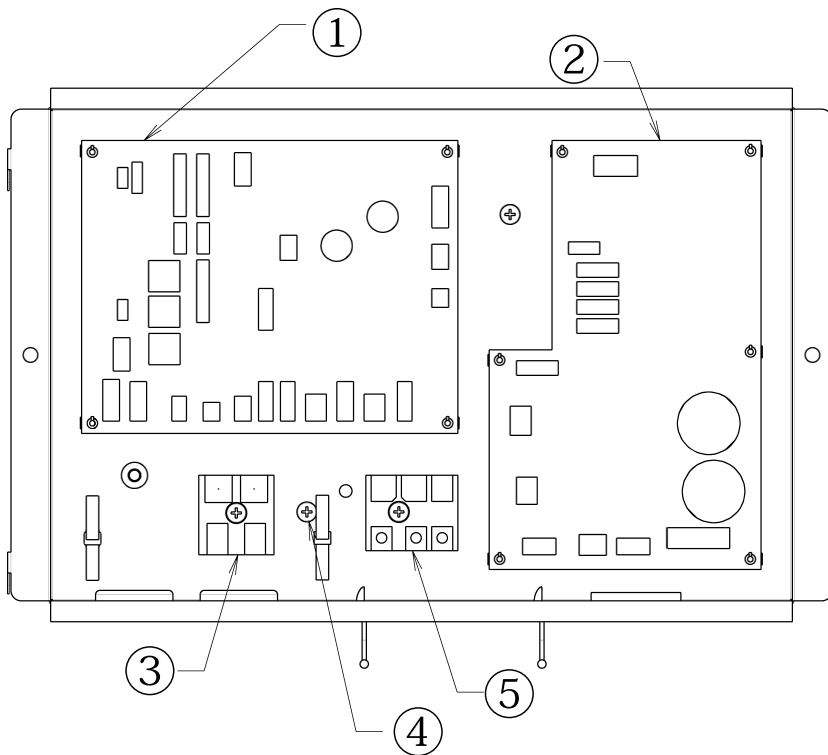
**ATTENTION**

Câblez la source d'alimentation de manière à n'imposer aucune tension. Autrement, il pourrait s'ensuivre une déconnexion, une surchauffe ou un incendie.

**IMPORTANT**

Reliez la mise à la terre du blindage à la borne de mise à la terre de l'appareil extérieur.

Si le câble du contrôleur à distance dépasse 10 m [32 pi], utilisez du fil de 1,25 mm de diamètre ² [cal. 16 AWG] pour la distance excédentaire et ajoutez cette position excédentaire jusqu'à 200 m [656 pi].



- ① CARTE DE COMMANDE
- ② CARTE D'ONDULEUR
- ③ VERS CONTRÔLEUR À DISTANCE 1, 2
- ④ BORNE DE MISE À LA TERRE
- ⑤ S1, S2, S3

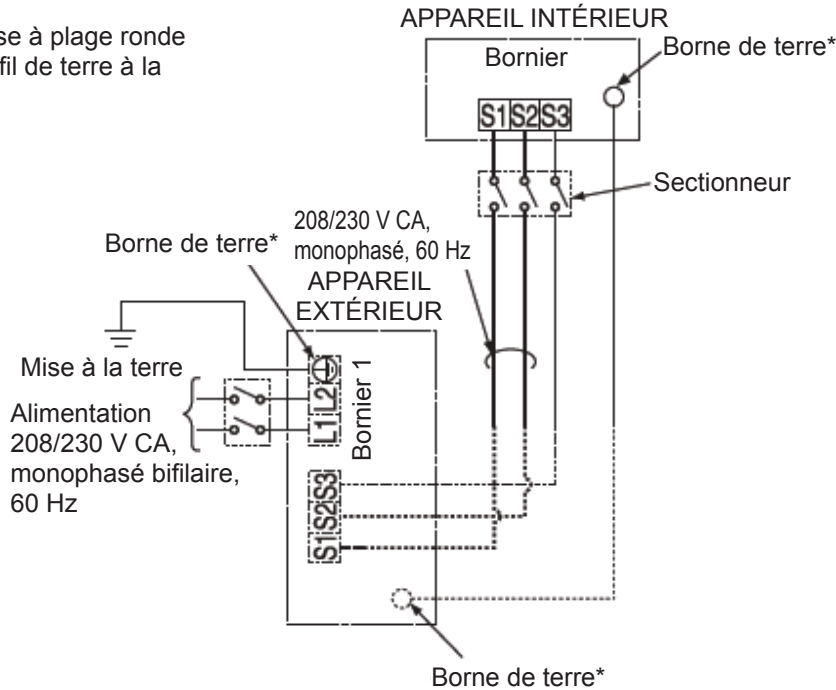
13.2. Raccordement de la tension d'alimentation

Assurez-vous que l'alimentation est hors tension.

L'appareil devrait être installé par un entrepreneur/électricien qualifié. Si les codes locaux, provinciaux, d'État et nationaux applicables l'exigent, un interrupteur de déconnexion doit être installé lorsque l'appareil intérieur est alimenté par l'appareil extérieur.

Remarque :

* Utilisez une cosse à plage ronde afin de relier un fil de terre à la borne.



NOTE

Si l'appareil de traitement de l'air est installé avec un ensemble de chauffage électrique, n'alimentez pas le chauffage électrique à partir de l'appareil extérieur.

Tout le câblage doit se conformer aux codes locaux et nationaux.

1. Défoncez la débouchure désirée de l'appareil de traitement de l'air.
2. Posez un connecteur de conduit à l'appareil de traitement de l'air et acheminez le câblage comme montré dans le schéma ci-dessus. Assurez-vous que le trou de raccordement du conduit est hermétique et calfeutrez-le, au besoin.
3. Serrez solidement toutes les vis du bornier. Après le serrage, vérifiez si les fils sont solidement fixés.

Caractéristiques électriques

Symboles :

MCA : Courant Max. du circuit (=1,25 x intensité maximale)

IFM (Indoor Fan Motor) : Moteur de la soufflante intérieure

FLA (Full Load Amperes) : Intensité maximale

Sortie : Sortie nominale du moteur de la soufflante

Modèle	Appareil intérieur			IFM		
	Hz	Volts	Plage de tension	MCA (A)	Sortie (kW)	FLA (A)
KP12	60	208/230 V	188 à 253 V	3.00/3.00	0.121	2.4
KP18						
KP24						
KP30				4.13/4.13	0.244	3.3
KP36						

Table de fonctions

Mode	Paramètres	Mode (fonction) N°	N° de paramètre	Réglage initial	Vérifier
		Câblé contrôleur à distance (RF thermostat)			
Redémarrage automatique après une panne de courant	Non disponible	1	1	1	
	Disponible	(101)	2		
Détection de la température intérieure	Moyenne de fonctionnement de l'appareil intérieur	02 (-)	1	1	
	Réglé par le contrôleur à distance de l'appareil intérieur		2		
	Capteur interne du contrôleur à distance		3		
Connectivité LOSSNAY	Non pris en charge	3 (103)	1	1	
	Pris en charge (l'appareil intérieur n'est pas équipé d'une prise d'air extérieure)		2		
	Pris en charge (l'appareil intérieur est équipé d'une prise d'air extérieure)		3		
Tension d'alimentation	240 V (230 V)	4	1	1	
	220 V (208 V)	(104)	2		
Affiche de filtre	100 h	7 (107)	1	3	
	2 500 h		2		
	Aucun indicateur d'affiche de filtre		3		
Contrôle de l'humidificateur	Fonctionnement de chauffage & Thermo ON	16	1	1	
	Fonctionnement du chauffage	(116)	2		
Commande du chauffage	Chauffage non présent	11	1	1	
	Chauffage présent ¹	(111)	2		
Commande de chauffage durant le dégivrage et erreur	Désactiver le chauffage durant le dégivrage et erreur.	23	1	1	
	Activer le chauffage et la soufflante durant le dégivrage et erreur. ²	(123)	2		

¹ Alors que le chauffage est en marche, la soufflante fonctionne à haute vitesse sans égard au réglage de soufflante sur le contrôleur à distance.

² Le chauffage ne fonctionne pas pendant tous les modes d'erreur. Le chauffage fonctionnera uniquement pendant une erreur de communication entre l'appareil intérieur et l'appareil extérieur.

**NOTE**

Si CN4Y est utilisé, la soufflante est désactivée lorsque CN24 est activé, destiné uniquement à être utilisé pour le chauffage supplémentaire qui n'est pas dans le conduit.

**ATTENTION**

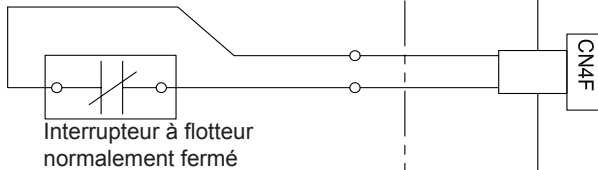
Si un appareil de chauffage est installé dans le conduit, n'utilisez pas le connecteur du panneau de chauffage. Cela coupera la soufflante lorsque le chauffage est activé et peut causer un incendie.

- Veuillez vous reporter à la section 13.4. pour connaître les paramètres de pression statique externe.

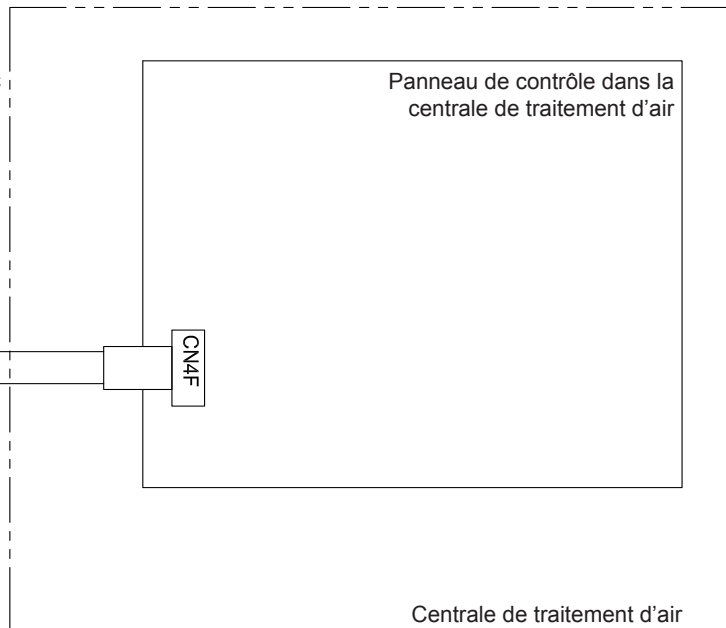
13.3. Connexion de l'interrupteur antidébordement du condensat (CN4F)

La carte de circuit est équipée d'une connexion pour relier un interrupteur antidébordement de condensat. L'interrupteur doit être un interrupteur normalement fermé à faible tension nominale. L'interrupteur doit être installé à un emplacement où il peut détecter une obstruction du drain causant une élévation du niveau d'eau. Cette augmentation du niveau d'eau causera son ouverture. L'entrepreneur responsable de l'installation doit déterminer l'emplacement de l'interrupteur. Lorsque l'interrupteur s'ouvre, il cause la fermeture du LEV, arrêtant le fonctionnement de refroidissement. La soufflante continue à fonctionner et un code d'erreur s'affiche au contrôleur. Avant de pouvoir reprendre le fonctionnement normal, il faut corriger le problème et fermer l'interrupteur. Reportez-vous à l'installation ci-dessous :

Repérez le connecteur CN4F sur le panneau de contrôle. Retirez soigneusement le connecteur avec le cavalier du panneau. Coupez le cavalier sur le connecteur CN4F et câblez un interrupteur à flotteur de sécurité normalement fermé entre les fils. Réinstallez soigneusement le connecteur sur le panneau.



Lorsque l'interrupteur à flotteur normalement fermé s'ouvre, l'appareil intérieur s'arrête.



13.4. Modification de la pression statique extérieure de la soufflante

L'appareil de traitement de l'air est doté d'un réglage de la pression statique. Les paramètres disponibles sont montrés dans le tableau ci-dessous.

Modèle	PSE disponible [po WG]		
SVZ-KP12	0.30	0.50	0.80
SVZ-KP18			
SVZ-KP24			
SVZ-KP30			
SVZ-KP36			

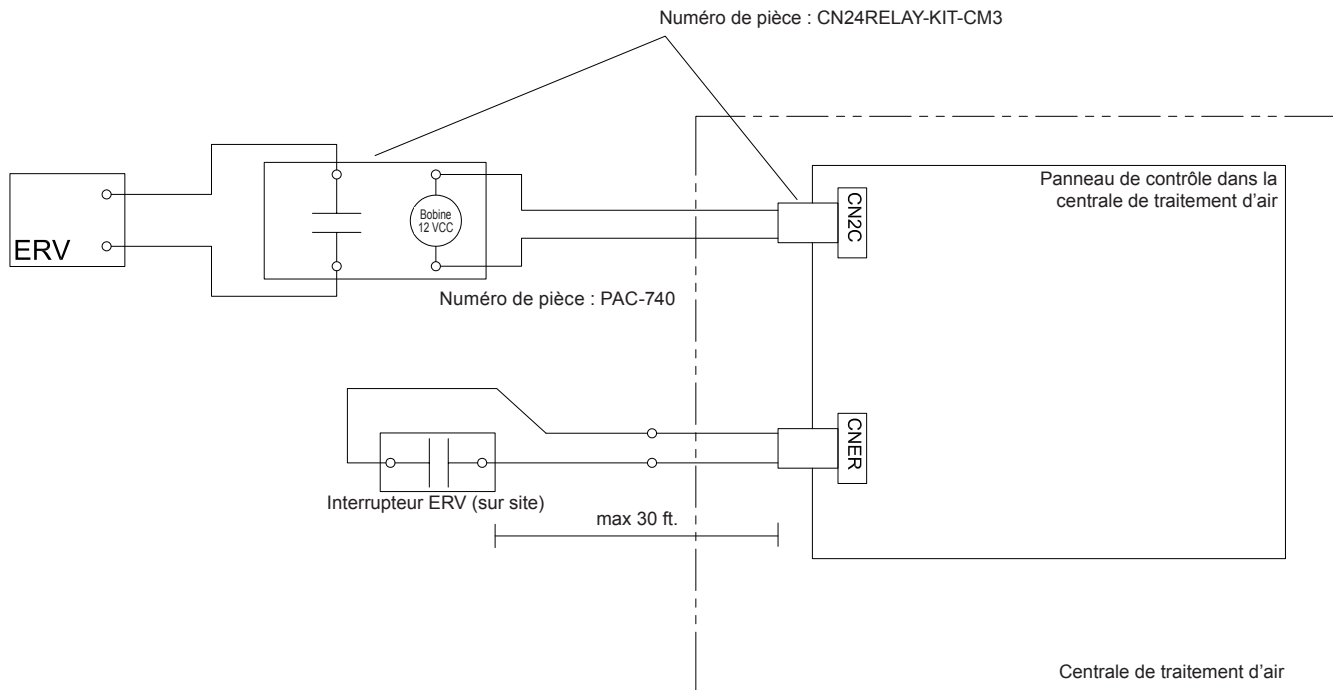
L'appareil de traitement de l'air est réglé à 0,50 PSE à l'usine.

La pression statique de l'appareil de traitement de l'air peut être modifiée par les réglages de mode/fonction dans le contrôleur. Veuillez consulter le manuel d'installation du contrôleur pour savoir comment modifier cette option. Selon le contrôleur utilisé, le mode/fonction est 08 pour le mode (PAR-31 & MA simple) ou 108 pour la fonction (MHK1).

Réglage de la pression statique externe pour l'installation verticale, horizontale à gauche ou horizontale à droite

Pression statique externe	N° du paramètre de mode/fonction 08/108	N° du paramètre de mode/fonction 10/110 (réglage de l'usine)
0,3 po WG [75 Pa]	1	1
0,5 po WG [125 Pa] (Réglage de l'usine)	2	1
0,8 po WG [200 Pa]	3	1

13.5. Ventilation de récupération d'énergie (ERV)



Commande d'ERV

Séquence de fonctionnement :

1. Le commutateur de demande d'ERV ferme le CNER.
2. L'alimentation de 12 V cc est envoyée à CN2C pour activer l'ERV.
3. Si l'appareil passe en mode de dégivrage, CN2C arrête la sortie de 12 V cc.

Commutateur ERV :

- Entrée sans tension a-contact
- Tension nominale du contact ≥ 15 V cc
- Courant nominal du contact $\geq 0,1$ A
- Charge minimale applicable ≤ 1 mA à cc

Sortie ERV Entrée CNER	Fonction Mode26	Condition	Vitesse du ventilateur	Sortie CN2C (= Sortie du ventilateur)
ARRÊT	-	Fonctionnement du refroidissement/chauffage/de la ventilation	Réglage RC	MARCHE
		Dégivrage	ARRÊTER	ARRÊT
		ARRÊTER	ARRÊTER	ARRÊT
MARCHE	« 1 » ¹	Fonctionnement du refroidissement/chauffage/de la ventilation	Réglage RC	MARCHE
		Dégivrage	ARRÊTER	ARRÊT
		ARRÊTER	ARRÊTER	ARRÊT
	« 2 »	Fonctionnement du refroidissement/chauffage/de la ventilation	Réglage RC	MARCHE
		Dégivrage	ARRÊTER	ARRÊT
		ARRÊTER	Réglage RC ^{2, 3}	MARCHE

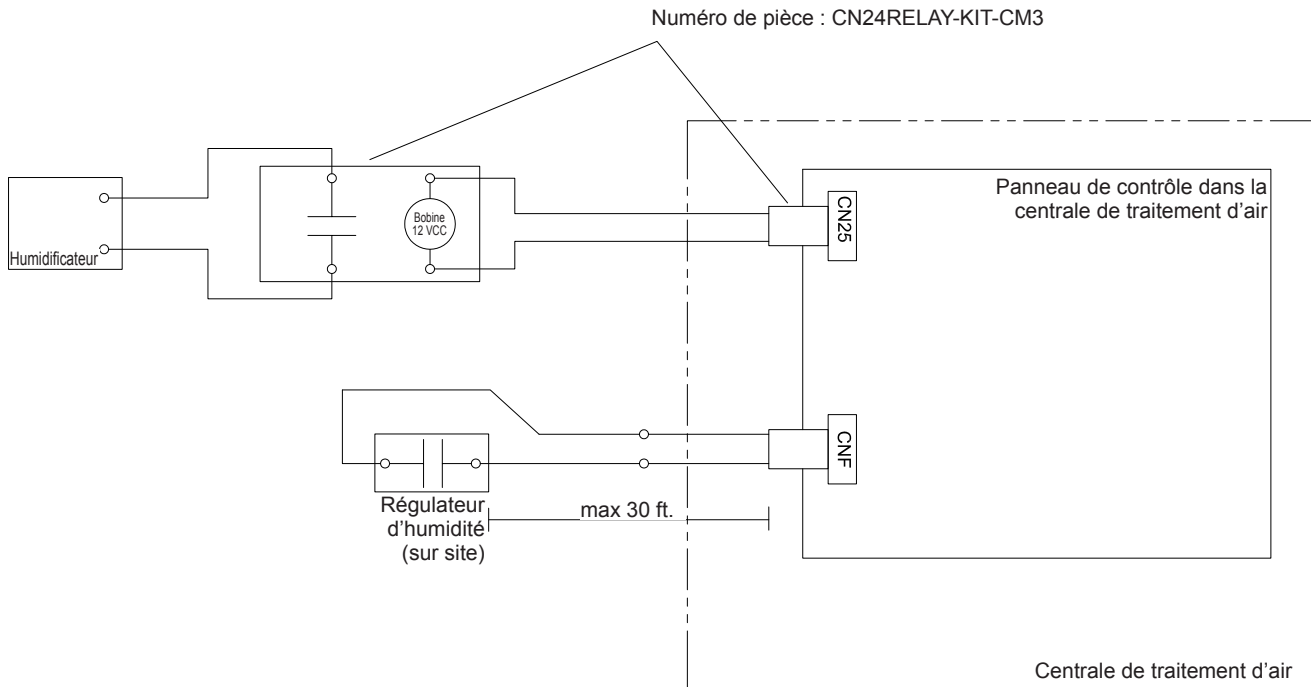
¹ Réglage de l'usine.

² Lorsque le réglage de la vitesse du ventilateur par RC est sur « Auto », la vitesse du ventilateur est maintenue à « HIGH » (vitesse élevée).

³ Si la commande de ventilation de récupération d'énergie ERV est efficace lorsque la fonction STOP est activée, IDU ne signale pas l'état du ventilateur ou l'erreur PB (erreur du moteur du ventilateur).

RC : Contrôleur à distance

13.6. Humidificateur



Commande de l'humidificateur

Séquence de fonctionnement :

1. L'humidistat ferme CNF
2. Le ventilateur démarre à Élevé
3. CN25 fournit 12 V cc pour mettre l'humidificateur en marche (L'appel ne doit pas dépasser 1 watt par relais.)
4. Lorsque l'humidistat s'ouvre, le ventilateur continue à fonctionner durant 30 secondes pour éliminer l'air humide des conduits.
5. Si le dégivrage commence pendant le fonctionnement de l'humidificateur, CN25 est mis hors tension.

Humidistat:

- Entrée sans tension a-contact
- Tension nominale du contact ≥ 15 V cc
- Courant nominal du contact $\geq 0,1$ A
- Charge minimale applicable ≤ 1 mA à cc

N° de mode	Sortie de l'humidistat	État	Sortie CN25	Vitesse du ventilateur
16	Entrée CNF	(Pas de dégivrage/pas d'erreur)		
1 ¹	OFF	Fonctionnement de chauffage & Thermo OFF	OFF	Réglage RC
		Fonctionnement de chauffage & Thermo ON		
	ON	Fonctionnement de chauffage & Thermo OFF	OFF	Réglage RC
		Fonctionnement de chauffage & Thermo ON	ON	Élevé
2	OFF	Fonctionnement de chauffage & Thermo OFF	OFF	Réglage RC
		Fonctionnement de chauffage & Thermo ON		
	ON	Fonctionnement de chauffage & Thermo OFF	ON	Élevé
		Fonctionnement de chauffage & Thermo ON		
-	-	Sauf pour le fonctionnement de chauffage	OFF	Réglage RC

¹ Réglage de l'usine

RC : Contrôleur à distance

Le ventilateur continue à fonctionner pendant 30 secondes après l'arrêt de l'humidificateur.

14. Essai de fonctionnement

14.1. Avant l'essai de fonctionnement

Après avoir terminé l'installation, le câblage et la plomberie des appareils intérieur et extérieur, vérifier s'il y a des fuites de frigorigène, des câbles d'alimentation ou de commande mal serrés, des erreurs de polarité et la déconnexion d'une phase de l'alimentation. Utilisez un mégohmmètre de 500 volts pour vérifier si la résistance entre les bornes de l'alimentation et de la mise à la terre est d'au moins 1,0 MΩ.

N'effectuez pas cet essai sur les bornes du câblage de commande (circuit à basse tension).



AVERTISSEMENT

N'utilisez pas le climatiseur si la résistance d'isolement est inférieure à 1,0 MΩ.

Après l'installation ou après une interruption de l'alimentation pour une période prolongée, la résistance d'isolement baissera sous 1 MΩ en raison de l'accumulation de frigorigène dans le compresseur. Cela n'est pas une défaillance. Exécutez les procédures suivantes.

1. Débranchez les fils du compresseur et mesurez la résistance d'isolement du compresseur.
2. Si la résistance d'isolement est inférieure à 1 MΩ, le compresseur est défectueux ou la résistance a chuté en raison de l'accumulation de frigorigène dans le compresseur.
3. Après avoir connecté les fils au compresseur, le compresseur commencera à se réchauffer lorsque l'alimentation est appliquée. Après avoir activé l'alimentation pour les périodes indiquées ci-dessous, mesurez à nouveau la résistance d'isolement.
 - La résistance d'isolement chute en raison de l'accumulation de frigorigène dans le compresseur. La résistance augmente au-dessus de 1 MΩ après que le compresseur s'est réchauffé de deux à trois heures. (Le temps de réchauffement du compresseur nécessaire varie selon les conditions atmosphériques et l'accumulation de frigorigène.)
 - Pour faire fonctionner le compresseur avec du frigorigène accumulé, le compresseur doit se réchauffer durant au moins 12 heures afin d'éviter une panne.
4. Si la résistance d'isolement augmente au-dessus de 1 MΩ, le compresseur n'est pas défectueux.



ATTENTION

- Le compresseur ne fonctionne pas à moins que la connexion des phases de l'alimentation soit correcte.
- Allumez l'alimentation au moins 12 heures avant le début de l'opération.
 - La mise en marche immédiatement après la mise en circuit de l'interrupteur principal peut mener à de graves dommages aux composants internes. Gardez l'interrupteur d'alimentation allumé pendant la saison de fonctionnement.

14.2. Essai de fonctionnement

Reportez-vous au manuel d'installation fourni avec chaque contrôleur à distance pour les détails.

14.3. Autotest

Reportez-vous au manuel d'installation fourni avec chaque contrôleur à distance pour les détails.

Le thermostat RF n'est pas établi.

[Modèle de sortie A] Erreurs détectées par l'appareil intérieur

Contrôleur à distance sans fil à IR	Contrôleur à distance câblé Thermostat RF	Symptômes	Commentaires
Tonalités/voyant de fonctionnement clignote (Nombre de fois)	Code de vérification		
1	P1	Erreur de capteur d'admission	
2	P2, P9	Erreur du capteur de tuyau (liquide ou tuyau à 2 phases)	
3	E6, E7	Erreur de communication de l'appareil intérieur/extérieur	
4	P4	Erreur du capteur de vidange	
5	P5	Erreur de la pompe de vidange	
6	P6	Fonctionnement de protection contre le gel/surchauffe	
7	EE	Erreur de communication entre les appareils intérieur et extérieur	
8	P8	Erreur de température du tuyau	
9	E4	Erreur de réception du signal du contrôleur à distance	
10	-	-	
11	PB	Erreur de moteur du ventilateur	
12	Fb	Erreur de système du module de commande intérieur (erreur de mémoire, etc.)	
Aucun bruit	--	Aucune correspondance	

[Modèle de sortie B] Erreurs détectées par un appareil autre que l'appareil intérieur (appareil extérieur, etc.)

Contrôleur sans fil IR à distance	Tonalités/ voyant de fonction- nement clignote (Nombre de fois)	Symptômes	Com- mentai- res
Tonalités/ voyant de fonctionnement clignote (Nombre de fois)	Code de vérification		
1	E9	Erreur de communication de l'appareil intérieur/extérieur (erreur de transmission) (appareil extérieur)	
2	UP	Interruption de surintensité du compresseur	
3	U3, U4	Circuit ouvert/court-circuit des thermistances de l'appareil extérieur	
4	UF	Interruption de surintensité du compresseur (lorsque le compresseur est bloqué)	
5	U2	Température de décharge anormalement élevée/49 °C travaillé/ frigorigène insuffisant	
6	U1, Ud	Haute pression anormale (63H travaillée)/ fonctionnement de protection contre la surchauffe	
7	U5	Température anormale du dissipateur thermique	

Contrôleur sans fil IR à distance	Tonalités/ voyant de fonctionnement clignote (Nombre de fois)	Symptômes	Commentaires
Tonalités/ voyant de fonctionnement clignote (Nombre de fois)	Code de vérification		
8	U8	Arrêt de protection du ventilateur extérieur	
9	U6	Interruption de surintensité du compresseur/module d'alimentation anormal	
10	U7	Anomalie de super chaleur en raison d'une faible température de décharge	
11	U9, UH	Anomalie comme une surtension ou une chute de tension ainsi que signal anormal et simultané au circuit principal/erreur de capteur de courant.	
12	-	-	
13	-	-	
14	Autres	Autres erreurs (Reportez-vous au manuel technique de l'appareil extérieur.)	

***1 Si l'avertisseur sonore cesse d'émettre des tonalités après les deux premières pour confirmer que le signal de démarrage de l'autotest a été reçu et le voyant de fonctionnement ne s'allume pas, il n'y a pas d'enregistrement d'erreur.**

***2 Si l'avertisseur sonore émet trois bips continus (0,4 + 0,4 + 0,4 s) après les deux tonalités initiales pour confirmer que le signal de démarrage de l'autotest a été reçu, l'adresse de frigorigène spécifiée est incorrecte.**

- Sur le contrôleur à distance sans fil à IR
L'avertisseur sonore fonctionne continuellement de la section de réception de l'appareil intérieur.
Clignotement du voyant de fonctionnement
- Sur le contrôleur à distance câblé
Code affiché sur l'ACL
- Si l'appareil ne peut pas être utilisé correctement après l'essai ci-dessus, reportez-vous au tableau suivant pour éliminer la cause.

Symptômes		Causes
Contrôleur à distance câblé	LED 1, 2 (Cl de l'appareil extérieur)	
VEUILLEZ ATTENDRE	Pendant environ 2 minutes après la mise sous tension	Après que les DEL 1 et 2 sont allumées, la DEL 2 s'éteint et puis seulement la DEL 1 reste allumée. (Fonctionnement correct)
VEUILLEZ ATTENDRE → Code d'erreur	Environ 2 minutes après la mise sous tension	- Pendant environ 2 minutes après la mise sous tension, le contrôleur à distance ne fonctionne pas en raison du démarrage du système. (Fonctionnement correct)
Les messages d'affichage n'apparaissent pas même si l'interrupteur est réglé sur ON (Marche) (le voyant de fonctionnement ne s'allume pas).		Seulement la DEL 1 est allumée. → DEL 1, 2 clignotent.
		- Le connecteur du dispositif de protection de l'appareil extérieur n'est pas connecté. - Câblage de phase inversé ou ouvert pour les borniers d'alimentation de l'appareil extérieur (L1, L2, L3)
		- Câblage incorrect entre les appareils intérieur et extérieur (polarité incorrecte de S1, S2, S3) - Court-circuit du câblage du contrôleur à distance

Sur le contrôleur à distance sans fil IR avec les conditions ci-dessus, le phénomène suivant se produit.

- Aucun signal du contrôleur à distance n'est accepté.

- Le voyant OPE clignote.
- Le vibreur émet de brèves tonalités.

**NOTE**

Le fonctionnement est impossible pendant environ 30 secondes après l'annulation de la sélection de fonction. (Fonctionnement correct)

Pour la description de chaque DEL (DEL 1, 2, 3) du contrôleur intérieur, reportez-vous au tableau ci-dessous.

DEL 1 (alimentation du micro-ordinateur)	Indique si l'alimentation de commande est présente. Assurez-vous que cette DEL est toujours allumée.
DEL 2 (alimentation du contrôleur à distance)	Indique si l'alimentation du contrôleur à distance est présente. Cette DEL s'allume seulement si l'appareil intérieur est connecté à l'adresse « 0 » du frigorigène de l'appareil extérieur.
DEL 3 (communication entre les appareils intérieur et extérieur)	Indique l'état des communications entre les appareils intérieur et extérieur. Assurez-vous que cette DEL clignote toujours.

14.4. FONCTION D'AUTOREDÉMARRAGE

Carte du contrôleur intérieur

Ce modèle est équipé de la FONCTION D'AUTOREDÉMARRAGE.

Lorsque l'appareil intérieur est commandé par le contrôleur à distance, le mode de fonctionnement, la température de consigne et la vitesse de la soufflante sont mémorisés dans la carte du contrôleur intérieur.

La fonction de redémarrage automatique est activée dès que l'alimentation est rétablie après une panne de courant, l'appareil se remet alors automatiquement en marche.

Régalez la FONCTION DE REDÉMARRAGE AUTOMATIQUE à l'aide du contrôleur à distance. (N° de mode 01)

This product is designed and intended for use in the residential, commercial and light-industrial environment.

Please be sure to put the contact address/telephone number on this manual before handing it to the customer.

mitsubishi **MITSUBISHI ELECTRIC US, INC.**

www.mitsubishielectric-usa.com

Toll Free: 800-433-4822