

Installation Instructions

Touchless Kitchen Faucet

Record your model number:

Noter le numéro de modèle:

Anote su número de modelo: _____

Français, page 19

Español, página 38

KOHLER[®]

Thank You for Choosing KOHLER

Need help? Contact our Customer Care Center.

USA/Canada: 1-800-4KOHLER (1-800-456-4537)

Mexico: 001-800-456-4537

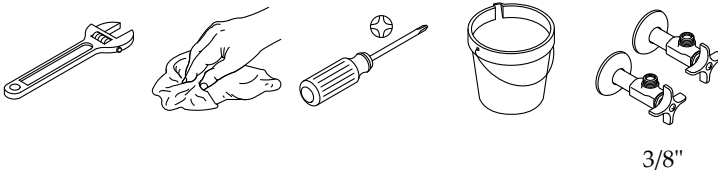
For service parts information, visit kohler.com/serviceparts.

For care and cleaning information, visit kohler.com/clean.

Warranty

This product is covered under the KOHLER® Electronic Faucets, Valves, and Controls Five-Year Limited Warranty, found at kohler.com/warranty. For a hardcopy of warranty terms, contact the Customer Care Center.









Tools and Materials



Plus:

- Unswitched Electrical Outlet
- Fasteners

Before You Begin

-  **WARNING: When using electrical products, basic precautions should always be followed, including the following:**
-  **DANGER: Risk of electric shock.** Connect only to a circuit protected by a Ground-Fault Circuit-Interrupter (GFCI)*.
-  **WARNING: Risk of electric shock.** Grounding is required. A qualified electrician should make all electrical connections.
-  **WARNING: Risk of electric shock.** Disconnect the power before servicing.
-  **WARNING: Risk of injury or property damage.** Read all instructions thoroughly before beginning installation.
-  **CAUTION: Risk of fresh water contamination.** This faucet contains back-siphonage protection. To prevent water contamination, do not remove any internal components from this faucet.
-  **CAUTION: Risk of property damage.** The faucet spout contains a magnet. Do not allow items susceptible to electromagnetic damage to come into close proximity to the spout.
-  **CAUTION: Risk of product damage.** This product contains sensitive electronic components. Do not store open containers of chemical or cleaning products near this product. Cleaning rags or sponges must be rinsed with fresh water before storage.

IMPORTANT! Do not use a switch-controlled electrical outlet (typically used for garbage disposals) to provide power to the faucet.

Follow all local plumbing, building, and electrical codes.

Provide a constant unswitched 120 VAC electrical outlet located below the sink within 5' (1.5 m) of the control box.

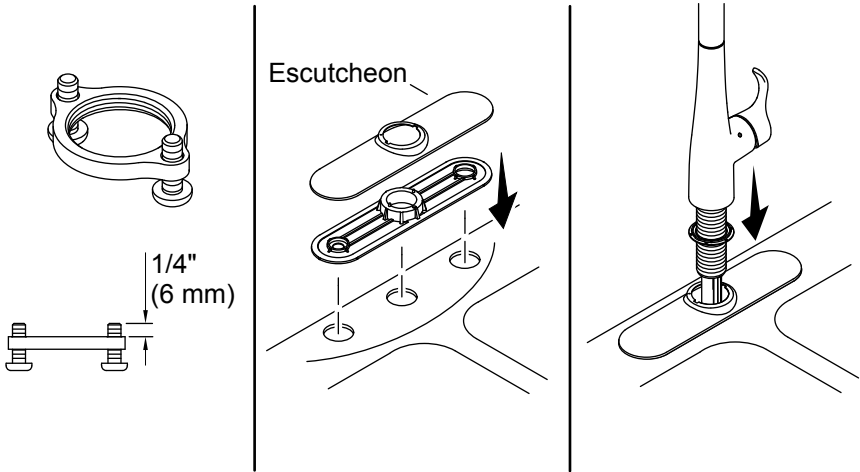
For new installations, assemble the faucet to the sink before installing the sink.

For uneven mounting surfaces (such as tile grout lines), apply a suitable sealant under the faucet. **Do not use petroleum-based sealant.**

Class 1 laser product: Complies with 21 CFR 1040.10 and 1040.11.

*Outside North America, this may be known as a Residual Current Device (RCD).

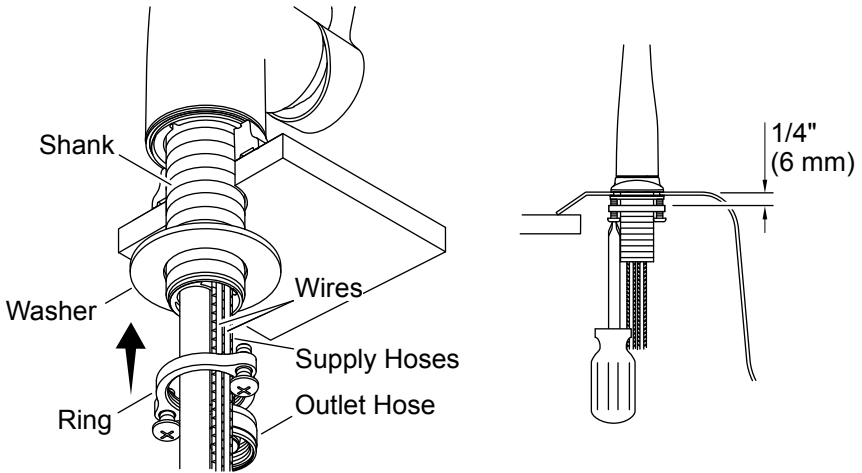
1. Prepare for Installation



NOTE: Handle orientation is designed to be on the right.

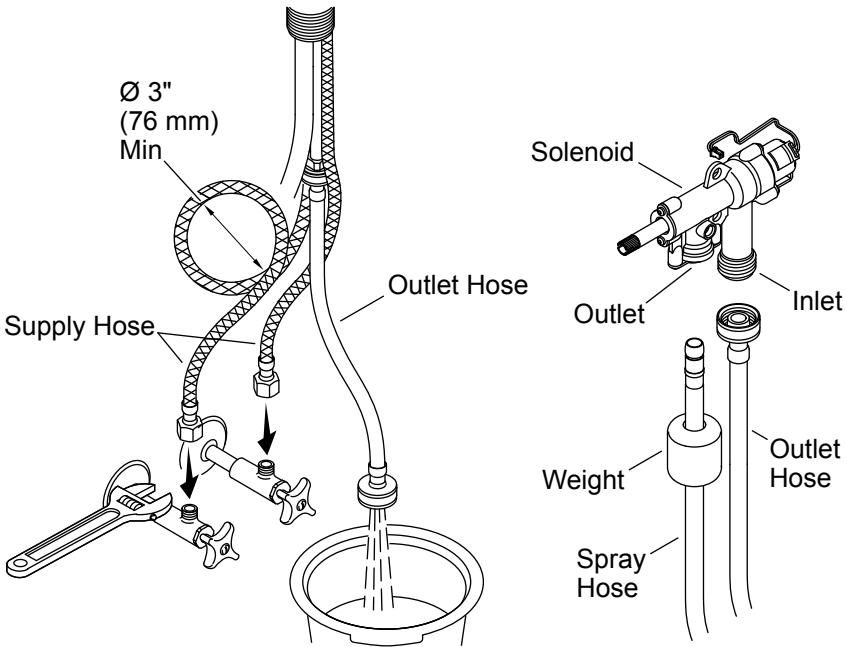
- Turn OFF the water supplies.
- Thread the screws into the ring 1/4" (6 mm) past the surface.
- Use the escutcheon included with your faucet. Install the escutcheon.
- Insert the faucet through the mounting surface with the handle on the right.

2. Install the Faucet



- Slide the washer and ring over the outlet hose, then feed the supply hoses and wires through the washer and ring.
- Thread the ring onto the shank until the washer contacts the underside of the sink.
- Adjust the ring to align the screws with the front and back of the faucet.
- Securely tighten the screws.

3. Connect the Supplies



CAUTION: Risk of restricted water flow and product damage. Supply hoses must not be taut, kinked, or twisted during installation. If the supply hoses must be coiled, maintain an inside diameter (ID) of 3" (76 mm).

Connect the Water Supplies

- Connect and tighten the supply hoses to the supply stops.
- Place a bucket under the outlet hose.
- Turn ON the water supplies.
- Flush hot and cold water for 1 minute to remove any debris.
- Connect the outlet hose to the solenoid inlet.

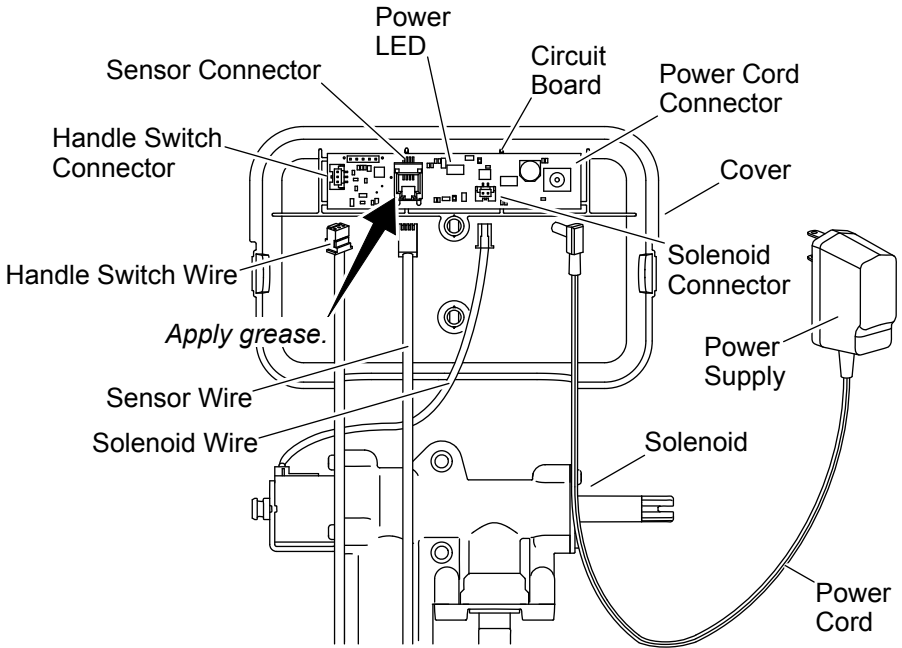
Connect the Spray Hose

- Remove the protective cap.

NOTE: The weight must be installed onto the spray hose to act as a pull stop and to prevent kinking damage.

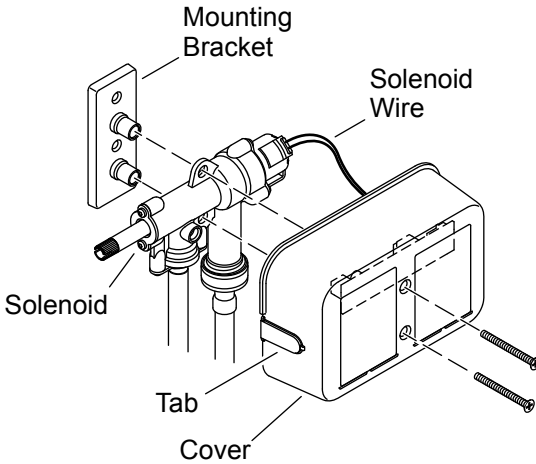
- Slide the weight onto the spray hose.
- Connect the spray hose to the solenoid outlet.

4. Connect the Wires



- Apply grease (provided) to the sensor socket located on the circuit board inside the cover. This will provide additional corrosion protection.
- Connect the handle switch wire from the faucet to the handle switch connector on the circuit board.
- Connect the sensor wire from the faucet to the sensor connector on the circuit board.
- Connect the power cord to the power cord connector on the circuit board.
- Connect the solenoid wire to the solenoid connector on the circuit board.
- Plug the power supply into an unswitched 120 VAC outlet. The power LED on the circuit board will illuminate.
- Test activation of the sensor. Refer to the "Faucet Operation" section.

5. Mount the Housing



CAUTION: Risk of restricted waterflow. The outlet hose must not be taut or kinked when installed. Locate the solenoid valve within 7" (178 mm) to 8" (203 mm) from the faucet centerline.

NOTE: Allow adequate clearance for servicing.

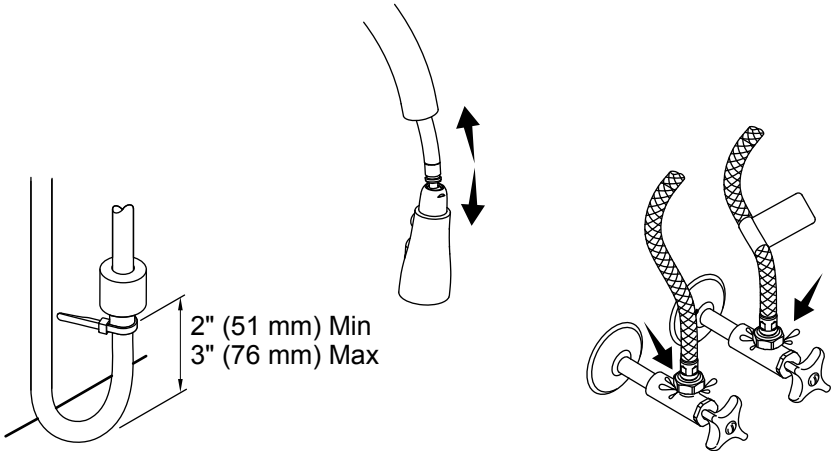
NOTE: The mounting bracket should be secured with two suitable fasteners (not supplied) based on the type and thickness of the cabinet or wall material.

- Position the mounting bracket within 7" (178 mm) to 8" (203 mm) from the faucet centerline.
- Fasten the mounting bracket vertically to the cabinet or wall.

NOTE: The solenoid may be positioned to the right or left. Remove the appropriate tab on the cover.

- Position the solenoid and cover on the mounting bracket.
- Secure the solenoid and cover to the mounting bracket using the two screws provided.

6. Complete the Installation



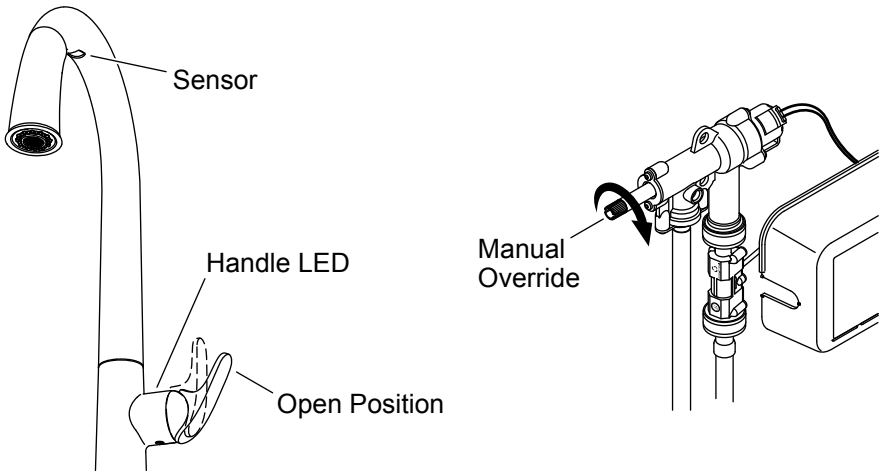
Position the Weight

- Position the weight between 2" (51 mm) and 3" (76 mm) from the cabinet floor.
- Secure the cable tie around the spray hose just below the weight.
- Extend and retract the spray hose to check for smooth operation.

Check for Leaks

- Turn ON the water supplies.
- Check all connections for leaks.
- Test the faucet for proper operation. Refer to the "Faucet Operation" section.

Faucet Operation



NOTE: Some objects that are clear and certain colors are not detectable by the sensor. Always use your hand for sensor testing.

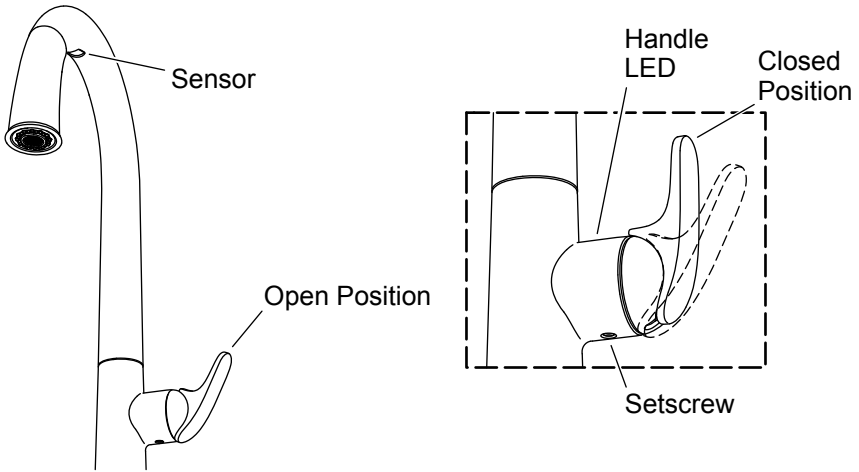
- Rotate the handle outward to the open position to start water flow. The handle LED will illuminate to indicate that the sensor is functioning.
- Adjust the handle to the desired water temperature.
- Wave your hand under the spout to turn OFF the water.
- Wave your hand under the spout again to restart the water flow.
- If needed, refer to the “Handle LED Adjustment” section for more information.

NOTE: For extended periods of nonuse, return the handle to the closed (upright) position. The handle LED will turn OFF, indicating that water flow is not available.

Features

- Handle LED:** Illuminates when the sensor is active.
- Power LED:** Indicates that there is power to the circuit board.
- Automatic shut-off:** After 4 minutes of inactivity, the water will automatically shut OFF.
- Sensor override:** In the event of power loss, bypass the sensor function by turning in the override feature on the solenoid valve. The faucet can then be operated manually.

Handle LED Adjustment

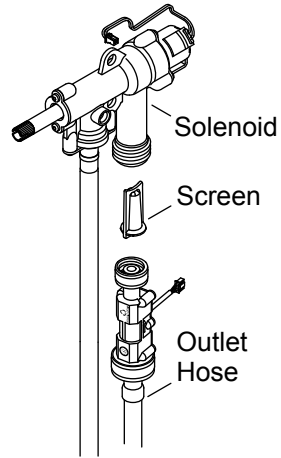
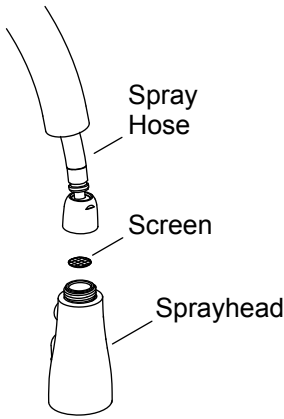


IMPORTANT! Do not apply upward pressure to the valve setscrew while making adjustments.

NOTE: The LED should turn ON as the handle is rotated open, and OFF when the handle is in the upright (closed) position. Use a 5/64" hex wrench to adjust the valve setscrew as needed.

- LED is ON when the handle is closed:** Tighten the valve setscrew until the LED turns OFF. Then tighten the setscrew an additional 1/4 turn.
- Handle does not return to the upright position:** Loosen the valve setscrew until the handle rotates to the full upright (closed) position and the LED turns ON. Then tighten the setscrew until the LED turns OFF, plus an additional 1/4 turn.
- Water does not fully shut off:** Loosen the valve setscrew until the handle rotates to the full upright (closed) position and the LED turns ON. Tighten the setscrew until the LED turns OFF, plus an additional 1/4 turn.

Cleaning the Screens



Sprayhead Screen

- Turn the handle to the closed position.
- Disconnect the nut at the end of the spray hose.
- Remove and clean the screen inside the spray hose.
- Reinsert the screen and reconnect the sprayhead.

Solenoid Inlet Screen

- Turn the handle to the closed position.
- Disconnect the outlet hose from the solenoid.
- Remove and clean the inlet screen inside the solenoid.
- Reinstall the inlet screen and reconnect the outlet hose.

Troubleshooting



CAUTION: Risk of property damage. This product contains sensitive electronic components. Use care not to damage pins and connectors during troubleshooting.



CAUTION: Risk of property damage. Do not insert anything other than the sensor wire into the sensor wire connector (phone jack) on the circuit board.

This troubleshooting guide is for general aid only. For service and installation issues or concerns, call 1-800-4KOHLER.

Faucet Troubleshooting

Symptoms	Probable Cause	Recommended Action
1. No water flow.	<p>A. The supply stops are closed.</p> <p>B. Handle is in the closed position.</p> <p>C. The hot and/or cold supply hose is kinked.</p> <p>D. The outlet hose is kinked.</p> <p>E. Handle LED is not lit.</p> <p>F. Power LED on circuit board is not lit.</p> <p>G. One or more screens are clogged.</p>	<p>A. Confirm that the supply stops are open.</p> <p>B. Rotate the handle to the open position. Refer to the "Faucet Operation" section.</p> <p>C. Confirm that the supply hoses are not kinked. If coiled, maintain an inside diameter (ID) of 3" (76 mm).</p> <p>D. Confirm that the solenoid valve is within 7" (178 mm) to 8" (203 mm) from the faucet centerline.</p> <p>E. Refer to the "Handle Switch Troubleshooting Table."</p> <p>F. Refer to the "Sensor Troubleshooting Table."</p> <p>G. Refer to the "Cleaning the Screens" section.</p>

Symptoms	Probable Cause	Recommended Action
<p>2. Low water flow.</p>	<p>A. The supply stops are partially closed.</p> <p>B. Handle is partially closed.</p> <p>C. The hot and/or cold supply hose is kinked or twisted.</p> <p>D. The outlet hose is kinked.</p> <p>E. One or more screens are clogged.</p> <p>F. Cracked diaphragm.</p>	<p>A. Confirm that the supply stops are fully open.</p> <p>B. Rotate the handle to the full open position.</p> <p>C. Confirm that the supply hoses are not kinked or twisted. If coiled, maintain an ID of 3" (76 mm).</p> <p>D. Confirm that the solenoid valve is within 7" (178 mm) to 8" (203 mm) from the faucet centerline.</p> <p>E. Refer to the "Cleaning the Screens" section.</p> <p>F. Replace the solenoid valve assembly.</p>
<p>3. Poor spray pattern.</p>	<p>A. The spray nozzles are clogged.</p>	<p>A. Rub your finger over the nozzles with water running to dislodge debris.</p>
<p>4. Power LED is not lit.</p>	<p>A. No power to the circuit board.</p> <p>B. Power cord is plugged into a switched outlet.</p>	<p>A. Check the power supply connections to the circuit board.</p> <p>B. Plug the power cord into an unswitched 120 VAC outlet (test the outlet with a radio or other device). Confirm that the power LED illuminates.</p>
<p>5. Water drips or trickles when faucet is not in use.</p>	<p>A. Manual override is partially engaged.</p>	<p>A. Turn the manual override clockwise until it stops; then turn it counterclockwise until the water drip stops.</p>

Solenoid Troubleshooting

Symptoms	Probable Cause	Recommended Action
1. Water leaks from the solenoid valve.	<p>A. Hose connections are not secure.</p> <p>B. Internal leak.</p>	<p>A. CAUTION: Risk of personal injury or product damage. Turn off the main power and water supply. Check all connections. Make adjustments as needed.</p> <p>B. Replace the solenoid valve assembly.</p>
2. No audible “click” when solenoid is activated.	<p>A. Loose solenoid wire connection.</p> <p>B. Solenoid valve is not functioning.</p>	<p>A. Check solenoid wire connection to the circuit board.</p> <p>B. Replace the solenoid valve assembly.</p>

Handle Switch Troubleshooting

Symptoms	Probable Cause	Recommended Action
1. Handle LED is lit when the handle is closed.	A. Valve setscrew needs adjustment.	A. Refer to the “Handle LED Adjustment” section.
2. Handle does not return to the upright position.	A. Valve setscrew needs adjustment.	A. Refer to the “Handle LED Adjustment” section.
3. Water does not fully shut off.	A. Valve setscrew needs adjustment.	A. Refer to the “Handle LED Adjustment” section.
4. Handle LED does not illuminate when the handle is rotated open.	<p>A. Loose handle switch wire connection.</p> <p>B. Circuit board is not functioning correctly.</p>	<p>A. Check handle switch wire connection to the circuit board.</p> <p>B. Replace the cover assembly.</p>

Sensor Troubleshooting

Symptoms	Probable Cause	Recommended Action
1. Intermittent sensor operation.	A. Debris on the sensor lens. B. Sensor is detecting steam.	A. Use mild soap and water to gently remove debris from the sensor lens. B. Rotate the spout away from the steam.
2. Handle LED is lit, but power LED is not.	A. Loose sensor wire connection. B. Debris on the sensor wire connector. C. Circuit board is not functioning.	A. Check sensor wire connection to the circuit board. B. At the circuit board, gently disconnect, clean, and reconnect the sensor wire connector. C. Replace the cover assembly.

Compliance

This device complies with Part 15 of the FCC Rules. Operation is subject to the following two conditions:

1. This device may not cause harmful interference, and
2. This device must accept any interference received, including interference that may cause undesired operation.

Changes or modifications not expressly approved by the party responsible for compliance could void the user's authority to operate the equipment.

This equipment has been tested and found to comply with the limits for a Class B digital device, pursuant to Part 15 of the FCC Rules. These limits are designed to provide reasonable protection against harmful interference in a residential installation. This equipment generates, uses, and can radiate radio frequency energy and, if not installed and used in accordance with the instructions, may cause harmful interference to radio communications. However, there is no guarantee that interference will not occur in a particular installation. If this equipment does cause harmful interference to radio or television reception, which can be determined by turning the equipment off and on, the user is encouraged to try to correct the interference by one of the following measures:

- Reorient or relocate the receiving antenna.
- Increase the separation between the equipment and receiver.
- Connect the equipment into an outlet on a circuit different from that to which the receiver is connected.
- Consult the dealer or an experienced radio/TV technician for help.

This Class B digital apparatus complies with Canadian ICES-003.

Instructions d'installation

Robinet d'évier sans contact

Merci d'avoir choisi KOHLER

Besoin d'aide? Appeler notre centre de services à la clientèle.

USA/Canada : 1-800-4KOHLER (1-800-456-4537)

Mexique : 001-800-456-4537

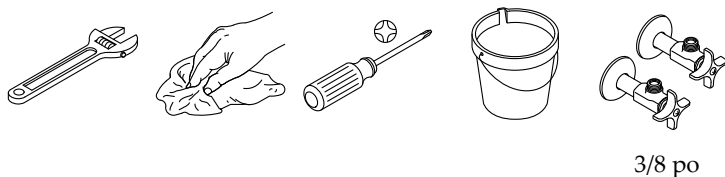
Pour tout renseignement sur les pièces de rechange, visiter le site kohler.com/serviceparts.

Pour des renseignements sur l'entretien et le nettoyage, visiter le site kohler.com/clean.

Garantie

Ce produit est couvert sous la **Garantie limitée de cinq ans des commandes, vannes et robinets électroniques KOHLER®**, fournie sur le site kohler.com/warranty. Pour obtenir une copie imprimée des termes de la garantie, s'adresser au centre de service à la clientèle.









Outils et matériel



Plus :

- Prise électrique non commutée
- Dispositifs de fixation

Avant de commencer

-  **AVERTISSEMENT : Lors de l'utilisation de produits électriques, toujours observer les précautions de base, notamment :**
-  **DANGER : Risque d'électrocution.** Raccorder uniquement à un circuit protégé par un disjoncteur de fuite de terre (GFCI)*.
-  **AVERTISSEMENT : Risque d'électrocution.** Une mise à la terre est requise. Un électricien qualifié doit effectuer toutes les connexions électriques.
-  **AVERTISSEMENT : Risque d'électrocution.** Déconnecter l'alimentation électrique avant d'effectuer un entretien.
-  **AVERTISSEMENT : Risque de blessures ou d'endommagement du matériel.** Veuillez lire toutes les instructions avant de commencer l'installation.
-  **ATTENTION : Risque de contamination de l'eau potable.** Ce robinet comprend une protection contre le siphonnement à rebours. Afin d'éviter la contamination d'eau, ne pas retirer des composants internes de ce robinet.
-  **ATTENTION : Risque de dommages matériels.** Le bec du robinet comprend un aimant. Ne pas laisser des objets pouvant subir des dommages électromagnétiques à proximité immédiate du bec.
-  **ATTENTION : Risque d'endommagement du produit.** Ce produit contient des composants électroniques sensibles. Ne pas entreposer des récipients de produits chimiques ou de nettoyage ouverts près de ce produit. Les chiffons ou éponges de nettoyage doivent être rincés avec de l'eau douce avant le stockage.

IMPORTANT! Ne pas utiliser de prise de courant commandée par interrupteur (généralement utilisée pour les broyeurs de déchets) pour fournir une alimentation au robinet.

Respecter tous les codes de plomberie, d'électricité et de bâtiment locaux.

Trouver une prise électrique continue de 120 V c.a. non commutée sous le lavabo à 5 pi (1,5 m) de l'unité de boîtier de commande.

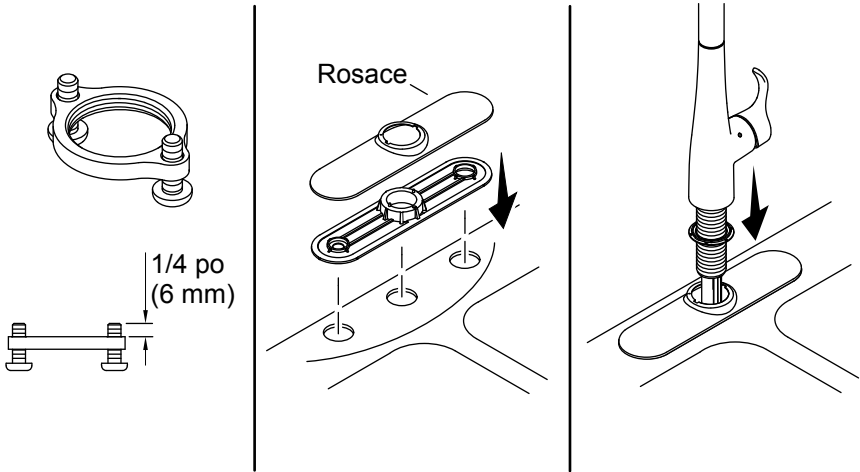
Si possible, assembler le robinet sur l'évier avant d'installer l'évier.

Pour des surfaces de fixation inégales (telles que des lignes de joints de carrelage), appliquer du mastic d'étanchéité adéquat sous le robinet. **Ne pas utiliser du mastic d'étanchéité à base de pétrole.**

Produit laser Classe 1 : Conforme aux normes 21 CFR 1040.10 et 1040.11.

*Hors de l'Amérique du Nord, ce dispositif peut être connu sous le nom de dispositif à courant résiduel (RCD).

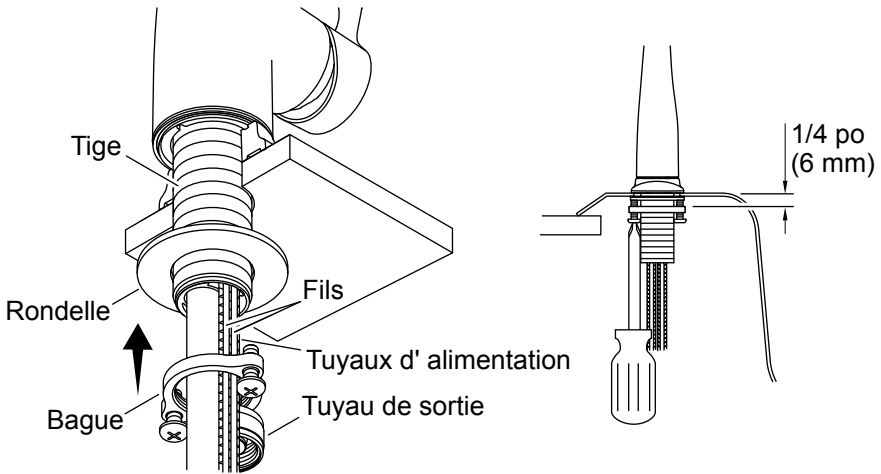
1. Préparer l'installation



REMARQUE : L'orientation de la poignée est conçue pour se trouver sur la droite.

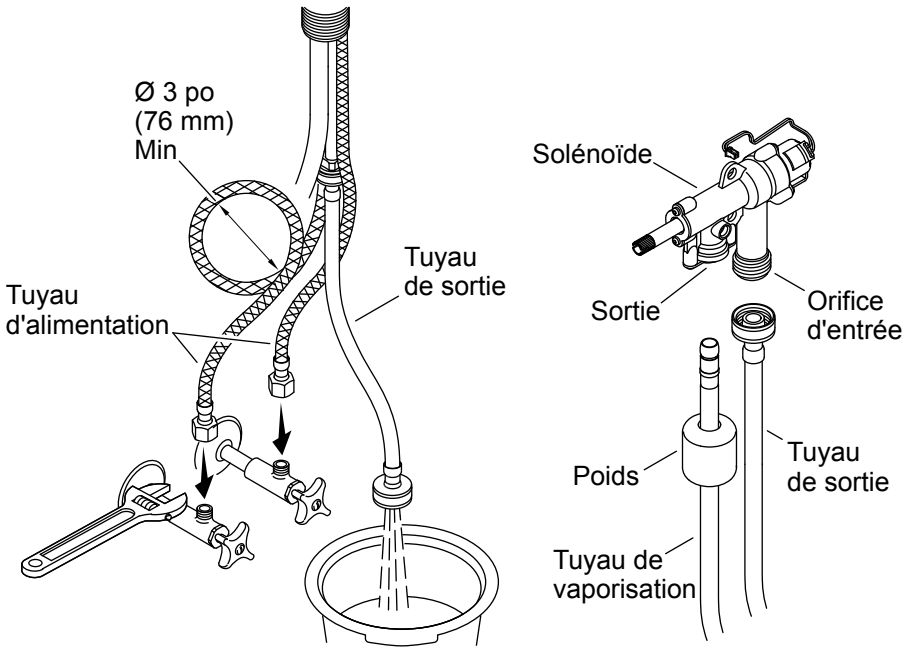
- Couper les alimentations d'eau.
- Enfiler les vis dans l'anneau sur 1/4 po (6 mm) au-delà de la surface.
- Utiliser la rosace incluse avec le robinet. Installer la rosace.
- Insérer le robinet à travers la surface de fixation avec la poignée sur la droite.

2. Installer le robinet



- Glisser la rondelle et l'anneau par-dessus le tuyau de sortie, puis faire passer les tuyaux d'alimentation et les fils à travers la rondelle et l'anneau.
- Visser l'anneau sur la tige jusqu'à ce que la rondelle entre en contact avec le dessous de l'évier.
- Ajuster l'anneau de manière à aligner les vis sur l'avant et l'arrière du robinet.
- Serrer solidement les vis.

3. Connecter les alimentations



ATTENTION : Risque de limitation de débit d'eau et d'endommagement du produit. Les tuyaux d'alimentation ne doivent pas être tendus, déformés ou tordus pendant l'installation. Si les tuyaux d'alimentation doivent être embobinés, maintenir un diamètre intérieur (DI) de 3 po (76 mm).

Connecter les alimentations d'eau

- Connecter et serrer les tuyaux d'alimentation sur arrêts d'alimentations.
- Placer un seau sous le tuyau de sortie.
- Ouvrir les alimentations en eau.
- Purger l'eau chaude et froide pendant 1 minute pour éliminer les débris.
- Connecter le tuyau de sortie au solénoïde.

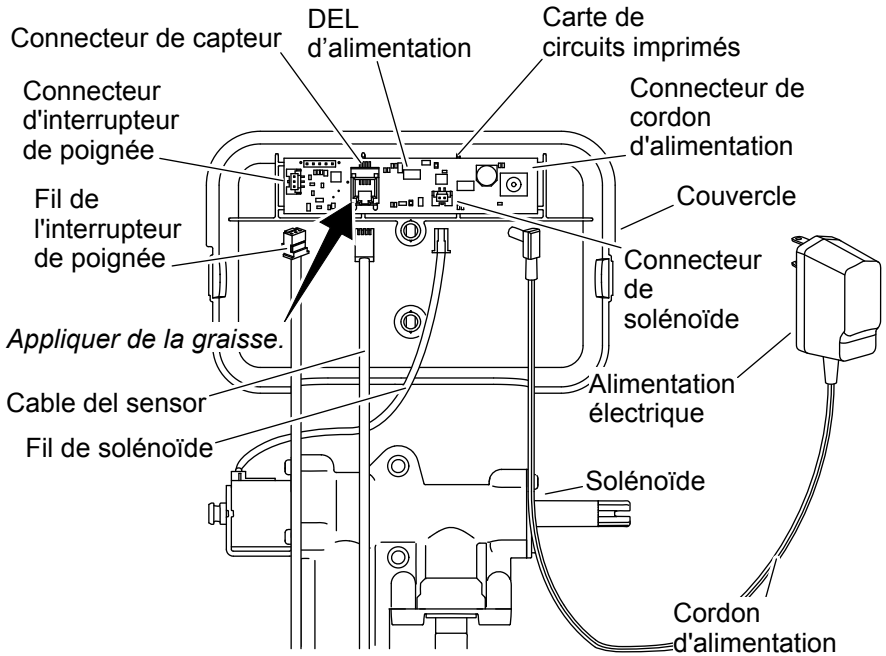
Connecter le tuyau du vaporisateur

- Retirer le capuchon de protection.

REMARQUE : Le poids doit être installé sur le tuyau du vaporisateur pour agir en tant qu'arrêt à traction et pour empêcher les dommages dus à une déformation.

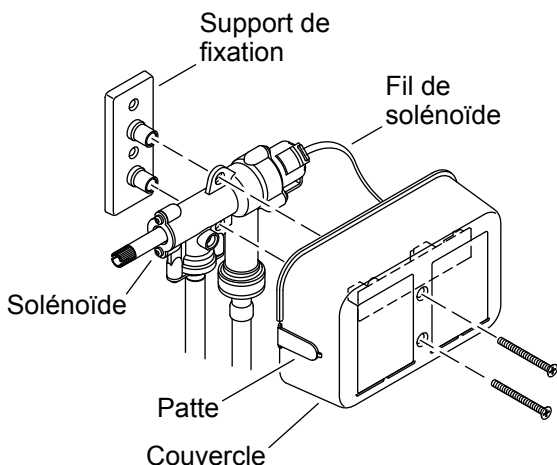
- Faire glisser le poids sur le tuyau du vaporisateur.
- Connecter le tuyau du vaporisateur à la sortie du solénoïde.

4. Connecter les fils



- Appliquer de la graisse (fournie) sur la douille du capteur se trouvant sur la carte de circuits imprimés à l'intérieur du couvercle. Ceci fournira une protection supplémentaire contre la corrosion.
- Connecter le fil de l'interrupteur de la poignée en provenance du robinet au connecteur de l'interrupteur de la poignée sur la carte de circuits imprimés.
- Connecter le fil du capteur en provenance du robinet à l'interrupteur du capteur sur la carte de circuits imprimés.
- Connecter le cordon d'alimentation au connecteur du cordon d'alimentation sur la carte de circuits imprimés.
- Connecter le fil du solénoïde au connecteur du solénoïde sur la carte de circuits imprimés.
- Brancher l'alimentation électrique dans une prise de 120 V c.a. non commutée. La DEL d'alimentation de la carte de circuits imprimés s'allumera.
- Tester l'activation du capteur. Se référer à la section « Fonctionnement du robinet ».

5. Monter le logement



⚠ ATTENTION : Risque de débit d'eau restreint. Le tuyau de sortie ne doit pas être tendu ou déformé lorsqu'il est installé. Positionner l'électrovanne dans un rayon de 7 po (178 mm) à 8 po (203 mm) à partir de la ligne centrale du robinet.

REMARQUE : Laisser un dégagement adéquat pour l'entretien.

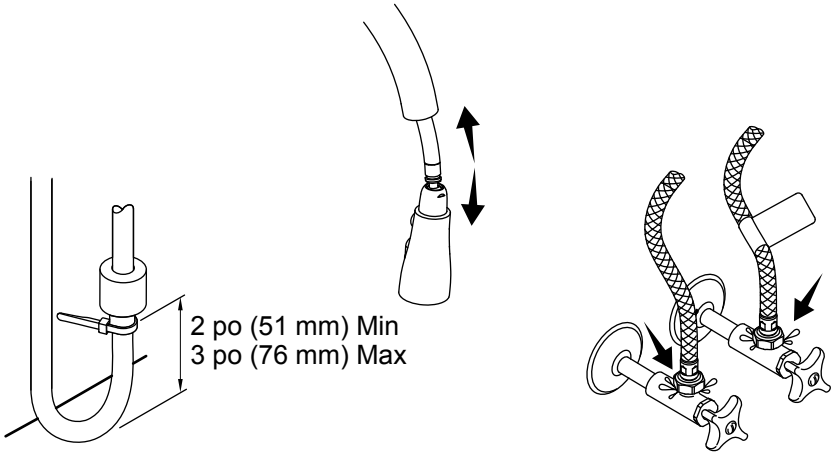
REMARQUE : Le support de fixation doit être fixé avec deux dispositifs d'attache adéquats (non fournis) en fonction du type et de l'épaisseur de l'armoire ou du matériau du mur.

- Positionner le support de fixation dans un rayon de 7 po (178 mm) à 8 po (203 mm) à partir de la ligne centrale du robinet.
- Attacher le support de fixation à la verticale sur l'armoire ou le mur.

REMARQUE : Le solénoïde peut être placé à droite ou à gauche. Retirer la languette adéquate sur le couvercle.

- Positionner le solénoïde et le couvercle sur le support de fixation.
- Fixer le solénoïde et le couvercle sur le support de fixation en utilisant les deux vis fournies.

6. Terminer l'installation



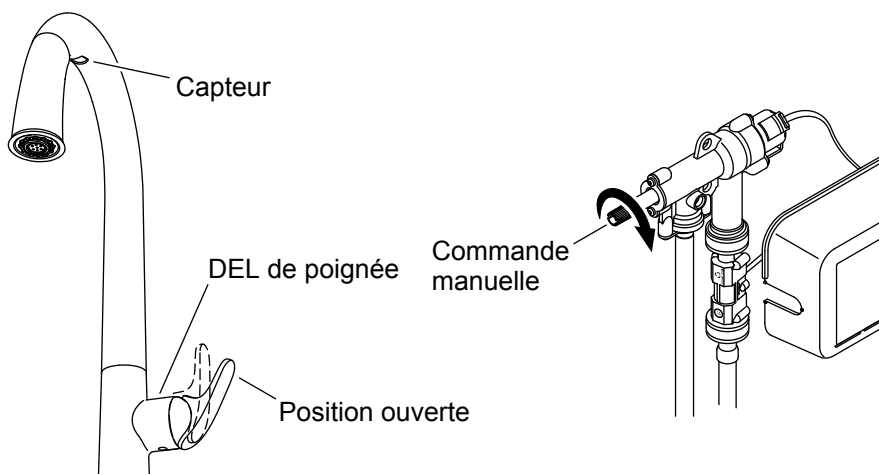
Positionner le poids

- Positionner le poids entre 2 po (51 mm) et 3 po (76 mm) du plancher de l'armoire.
- Sécuriser l'attache du câble autour du tuyau du vaporisateur, juste en dessous du poids.
- Étendre et rétracter le tuyau du vaporisateur pour vérifier le fonctionnement adéquat.

Rechercher des fuites

- Ouvrir les alimentations en eau.
- Inspecter tous les raccords pour y rechercher des fuites éventuelles.
- Tester le robinet pour assurer qu'il fonctionne correctement. Se référer à la section « Fonctionnement du robinet ».

Fonctionnement du robinet



REMARQUE : Certains objets qui sont transparents et certaines couleurs ne peuvent pas être détectés par le capteur. Utiliser toujours la main pour tester le capteur.

- Tourner la poignée vers l'extérieur en position ouverte pour démarrer le débit d'eau. La DEL de la poignée s'allume pour indiquer que le capteur fonctionne.
- Ajuster la poignée à la température d'eau souhaitée.
- Agiter la main sous le bec pour couper l'eau.
- Agiter de nouveau la main sous le bec pour redémarrer le débit d'eau.
- Si nécessaire, consulter la section « Réglage de la DEL de la poignée » pour obtenir de l'information supplémentaire.

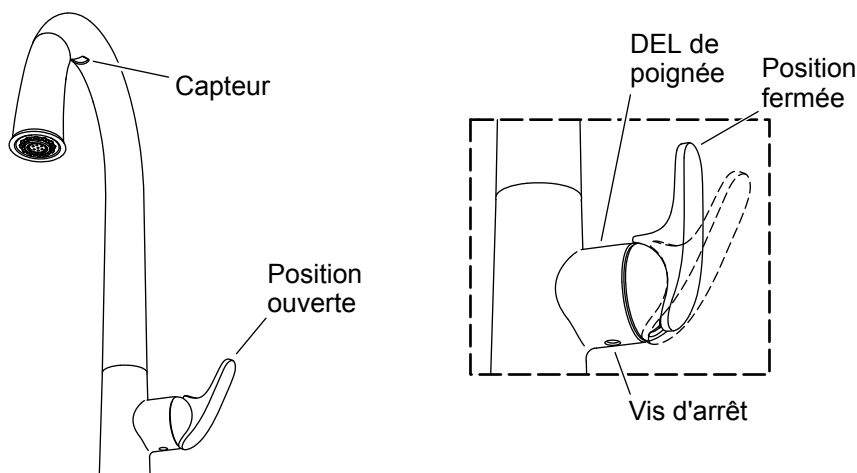
REMARQUE : Lors de périodes prolongées de non utilisation, remettre la poignée à la position fermée (verticale). La DEL de la poignée s'éteint, et indique ainsi que le débit d'eau n'est pas disponible.

Fonctions

- DEL de poignée :** S'allume lorsque le capteur est en marche.
- DEL d'alimentation :** Indique que la carte de circuits imprimés est alimentée.

- **Arrêt automatique** : Au bout de 4 minutes d'inactivité, l'eau s'arrête automatiquement.
- **Annulation du capteur** : En cas de perte d'alimentation, annuler la fonction du capteur en tournant la fonction d'annulation sur l'électrovanne. Le robinet peut alors être actionné manuellement.

Réglage de la DEL de la poignée

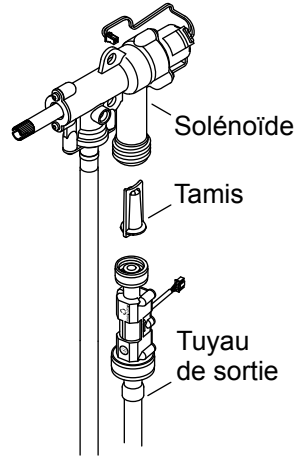
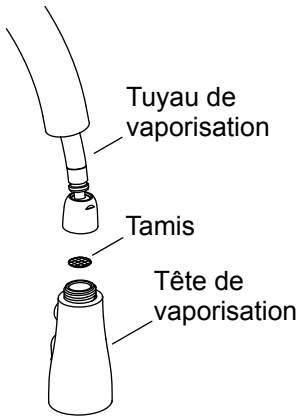


IMPORTANT! Ne pas appliquer de pression vers le haut sur la vis d'arrêt de la vanne pendant les ajustements.

REMARQUE : La DEL doit être allumée lorsque la poignée est tournée en position ouverte, et éteinte lorsque la poignée est en position verticale (fermée). Utiliser une clé hexagonale de 5/64 po pour régler la vis d'arrêt de la vanne selon les besoins.

- La DEL est allumée lorsque la poignée est fermée :** Serrer la vis d'arrêt de la vanne jusqu'à ce que la DEL s'éteigne. Serrer ensuite la vis d'arrêt d'1/4 de tour supplémentaire.
- La poignée ne retourne pas en position verticale :** Desserrer la vis d'arrêt de la vanne jusqu'à ce que la poignée tourne jusqu'à la position entièrement verticale (fermée) et que la DEL s'allume. Serrer ensuite la vis d'arrêt jusqu'à ce que la DEL s'éteigne, puis serrer d'1/4 de tour supplémentaire.
- L'eau ne s'arrête pas entièrement de couler :** Desserrer la vis d'arrêt de la vanne jusqu'à ce que la poignée tourne jusqu'à la position entièrement verticale (fermée) et que la DEL s'allume. Serrer la vis d'arrêt jusqu'à ce que la DEL s'éteint, puis serrer d'1/4 de tour supplémentaire.

Nettoyage des tamis



Tamis de tête de vaporisation

- Tourner la poignée en position fermée.
- Déconnecter l'écrou à l'extrémité du tuyau du vaporisateur.
- Retirer et nettoyer l'écran à l'intérieur du tuyau du vaporisateur.
- Réinsérer le tamis et reconnecter la tête de vaporisation.

Tamis d'entrée de solénoïde

- Tourner la poignée en position fermée.
- Déconnecter le tuyau de sortie du solénoïde.
- Retirer et nettoyer le tamis d'entrée à l'intérieur du solénoïde.
- Réinstaller le tamis d'entrée et reconnecter le tuyau de sortie.

Dépannage



ATTENTION : Risque de dommages matériels. Ce produit contient des composants électroniques sensibles. Procéder avec soin afin d'éviter d'endommager les goupilles et les connecteurs pendant le dépannage.



ATTENTION : Risque de dommages matériels. Ne pas insérer quoi que ce soit d'autre que le fil du capteur dans le connecteur du fil du capteur (sortie casque) sur la carte de circuits imprimés.

Ce guide de dépannage est seulement destiné à fournir une aide d'ordre général. Pour des problèmes ou questions concernant l'entretien et l'installation, composer le 1-800-4KOHLER.

Dépannage du robinet

Symptômes	Cause probable	Action recommandée
1. Pas d'écoulement d'eau.	<p>A. Les robinets d'arrêt d'alimentation sont fermés.</p> <p>B. La poignée est en position fermée.</p> <p>C. Le tuyau d'alimentation chaud et/ou froid est déformé.</p> <p>D. Le tuyau de sortie est déformé.</p> <p>E. La DEL de la poignée n'est pas allumée.</p> <p>F. La DEL d'alimentation de la carte de circuits imprimés n'est pas allumée.</p> <p>G. Un ou plusieurs tamis sont bouchés.</p>	<p>A. Vérifier que les robinets d'arrêt d'alimentation sont ouverts.</p> <p>B. Tourner la poignée en position ouverte. Se référer à la section « Fonctionnement du robinet ».</p> <p>C. Vérifier que les tuyaux d'alimentation ne sont pas déformés. S'ils sont enroulés, maintenir un diamètre intérieur (DI) de 3 po (76 mm).</p> <p>D. Confirmer que l'électrovanne est placée dans un rayon de 7 po (178 mm) à 8 po (203 mm) de la ligne centrale du robinet.</p> <p>E. Se référer au « Tableau de dépannage de l'interrupteur de la poignée ».</p> <p>F. Se référer au « Tableau de dépannage du capteur ».</p> <p>G. Se référer à la section « Nettoyer les tamis ».</p>

Symptômes	Cause probable	Action recommandée
2. Débit d'eau bas.	<p>A. Les robinets d'arrêt d'alimentation sont fermés partiellement.</p> <p>B. La poignée est fermée partiellement.</p> <p>C. Le tuyau d'alimentation en eau chaude et/ou froide est déformé ou tordu.</p> <p>D. Le tuyau de sortie est déformé.</p> <p>E. Un ou plusieurs tamis sont bouchés.</p> <p>F. Diaphragme craquelé.</p>	<p>A. Vérifier que les robinets d'arrêt d'alimentation sont entièrement ouverts.</p> <p>B. Tourner la poignée en position entièrement ouverte.</p> <p>C. Vérifier que les tuyaux d'alimentation ne sont pas déformés ou tordus. S'ils sont enroulés, maintenir un DI de 3 po (76 mm).</p> <p>D. Confirmer que l'électrovanne est placée dans un rayon de 7 po (178 mm) à 8 po (203 mm) de la ligne centrale du robinet.</p> <p>E. Se référer à la section « Nettoyer les tamis ».</p> <p>F. Remplacer l'ensemble de l'électrovanne.</p>
3. Mauvais schéma du vaporisateur.	<p>A. Les buses du vaporisateur sont bouchées.</p>	<p>A. Frotter le doigt par-dessus les buses en faisant couler de l'eau pour déloger les débris.</p>
4. La DEL d'alimentation n'est pas allumée.	<p>A. Pas d'alimentation vers la carte de circuits imprimés.</p> <p>B. Le cordon d'alimentation est branché dans une prise commutée.</p>	<p>A. Vérifier les connexions de l'alimentation électrique vers la carte de circuits imprimés.</p> <p>B. Brancher le cordon d'alimentation dans une prise de 120 V c.a. non commutée (tester la prise avec une radio ou un autre appareil). Confirmer que la DEL d'alimentation s'allume.</p>
5. Égouttement ou minces filets d'eau lorsque le robinet n'est pas utilisé.	<p>A. La commande de neutralisation manuelle est engagée partiellement.</p>	<p>A. Tourner la commande d'annulation manuelle dans le sens horaire jusqu'à ce qu'elle s'arrête; tourner ensuite la commande dans le sens horaire jusqu'à ce que l'égouttement d'eau s'arrête.</p>

Dépannage de solénoïde

Symptômes	Cause probable	Action recommandée
1. Fuites d'eau en provenance de l'électrovanne.	<p>A. Les raccords de tuyaux ne sont pas sécurisés.</p> <p>B. Fuite interne.</p>	<p>A. ATTENTION : Risque de blessures ou d'endommagement du produit. Couper l'alimentation électrique principale et l'alimentation en eau. Inspecter toutes les connexions. Effectuer des ajustements au besoin.</p> <p>B. Remplacer l'ensemble de l'électrovanne.</p>
2. Aucun « clic » audible lors de l'activation du solénoïde.	<p>A. Connexion de fil de solénoïde desserrée.</p> <p>B. L'électrovanne ne fonctionne pas.</p>	<p>A. Vérifier la connexion du fil du solénoïde vers la carte de circuits imprimés.</p> <p>B. Remplacer l'ensemble de l'électrovanne.</p>

Dépannage de l'interrupteur de la poignée

Symptômes	Cause probable	Action recommandée
1. La DEL de la poignée est allumée lorsque la poignée est fermée.	A. La vis d'arrêt de la vanne doit être réglée.	A. Se référer à la section « Réglage de la DEL de la poignée ».
2. La poignée ne retourne pas en position verticale.	A. La vis d'arrêt de la vanne doit être réglée.	A. Se référer à la section « Réglage de la DEL de la poignée ».
3. L'eau ne s'arrête pas entièrement de couler.	A. La vis d'arrêt de la vanne doit être réglée.	A. Se référer à la section « Réglage de la DEL de la poignée ».
4. La DEL de la poignée ne s'allume pas lorsque la poignée est tournée en position ouverte.	<p>A. Connexion de fil d'interrupteur de poignée desserrée.</p> <p>B. La carte de circuits imprimés ne fonctionne pas correctement.</p>	<p>A. Inspecter la connexion du fil de l'interrupteur de poignée vers la carte de circuits imprimés.</p> <p>B. Remplacer l'ensemble du couvercle.</p>

Dépannage de capteur

Symptômes	Cause probable	Action recommandée
1. Fonctionnement intermittent du capteur.	<p>A. Débris sur la lentille du capteur.</p> <p>B. Le capteur détecte de la vapeur.</p>	<p>A. Utiliser du savon doux et de l'eau pour doucement retirer les débris de la lentille du capteur.</p> <p>B. Tourner le bec pour l'éloigner de la vapeur.</p>
2. La DEL de la poignée est allumée, mais la DEL d'alimentation ne l'est pas.	<p>A. Connexion de fil de capteur desserrée.</p> <p>B. Débris sur le connecteur du fil du capteur.</p> <p>C. La carte de circuits imprimés ne fonctionne pas.</p>	<p>A. Vérifier la connexion du fil du capteur vers la carte de circuits imprimés.</p> <p>B. Sur la carte de circuits imprimés, déconnecter, nettoyer et reconnecter avec précaution le connecteur du fil du capteur.</p> <p>C. Remplacer l'ensemble du couvercle.</p>

Conformité

Cet appareil est conforme à la section 15 des réglementations de la FCC. L'exploitation est autorisée aux deux conditions suivantes :

1. Cet appareil ne doit pas provoquer d'interférences néfastes, et
2. Cet appareil doit tolérer les interférences reçues, y compris celles qui risquent de provoquer un fonctionnement indésirable.

Tous changements ou modifications non expressément approuvés par la partie responsable garantissant la conformité, pourraient annuler le droit à l'utilisateur d'opérer l'équipement.

Cet appareil a été testé et est considéré conforme aux limitations d'un appareil numérique de classe B, selon la section 15 des réglementations FCC. Ces limites sont conçues pour fournir une protection raisonnable contre toute interférence nuisible lors d'une installation résidentielle. Cet appareil génère, utilise et peut émettre une énergie de radiofréquence et, s'il n'est pas installé et utilisé conformément aux instructions, pourrait être la cause d'interférences nuisibles aux communications par radio. Cependant, il n'est pas garanti qu'aucune interférence n'aura lieu dans une

installation particulière. Si cet appareil cause des interférences nuisibles à la réception radio ou télévision, ce qui peut être déterminé en éteignant l'appareil et en le rallumant, il est recommandé d'essayer de rectifier cette interférence en prenant l'une ou plusieurs des mesures suivantes :

- Réorienter ou changer l'emplacement de l'antenne de réception.
- Augmenter la séparation entre l'équipement et le récepteur.
- Brancher l'équipement sur une prise d'un circuit différent de celui auquel le récepteur est connecté.
- Consulter un revendeur ou un technicien radio/TV expérimenté pour obtenir de l'assistance.

Cet appareillage numérique de classe B est conforme à la norme canadienne NMB-003.

Instrucciones de instalación

Grifería de cocina sin contacto

ES

Gracias por elegir productos KOHLER

¿Necesita ayuda? Comuníquese con nuestro Centro de Atención al Cliente.

EE.UU./Canadá: 1-800-4KOHLER (1-800-456-4537)

México: 001-800-456-4537

Para consultar información sobre piezas de repuesto, visite kohler.com/serviceparts.

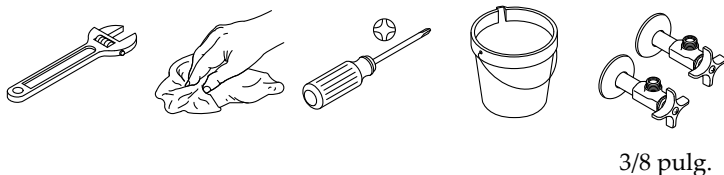
Para consultar información de cuidado y limpieza, visite kohler.com/clean.

Garantía

A este producto lo cubre la **Garantía limitada de cinco años para griferías, válvulas y controles electrónicos de KOHLER®**, que puede consultarse en

kohler.com/warranty. Solicite una copia en papel de los términos de la garantía al Centro de Atención al Cliente.

Herramientas y materiales



Más:

- Tomacorriente no conmutado
- Sujetadores

Antes de comenzar



AVISO: Al usar aparatos eléctricos siempre cumpla las precauciones básicas, como las siguientes:



PELIGRO: Riesgo de sacudidas eléctricas. Solamente conecte a un circuito protegido por un interruptor de circuito con pérdida a tierra (GFCI)*.



AVISO: Riesgo de sacudidas eléctricas. Se requiere conexión a tierra. Todas las conexiones eléctricas debe hacerlas un electricista capacitado.



AVISO: Riesgo de sacudidas eléctricas. Desconecte el suministro eléctrico antes de dar servicio.



AVISO: Riesgo de lesiones personales o daños a la propiedad. Por favor, lea atentamente todas las instrucciones antes de comenzar la instalación.



PRECAUCIÓN: Riesgo de contaminación del agua. Esta grifería tiene protección contra contrasifonaje. Para evitar contaminar el agua, no retire ningún componente interno de esta grifería.



PRECAUCIÓN: Riesgo de daños a la propiedad. El surtidor de la grifería tiene un imán. No acerque al surtidor de la grifería objetos susceptibles a sufrir daños electromagnéticos.



PRECAUCIÓN: Riesgo de daños al producto. Este producto tiene componentes electrónicos sensibles. No almacene recipientes abiertos de productos químicos o de limpieza cerca de este producto. Las esponjas y los trapos de limpieza se deben enjuagar con agua limpia antes de guardarlos.

¡IMPORTANTE! No utilice un tomacorriente controlado por interruptor (típicamente para trituradores de desperdicios de alimentos) para el suministro eléctrico a la grifería.

Cumpla con todos los códigos locales de plomería, de construcción y de electricidad.

Ubique un tomacorriente constante no conmutado de 120 VCA bajo el fregadero, a menos de 5' (1,5 m) de la caja de control.

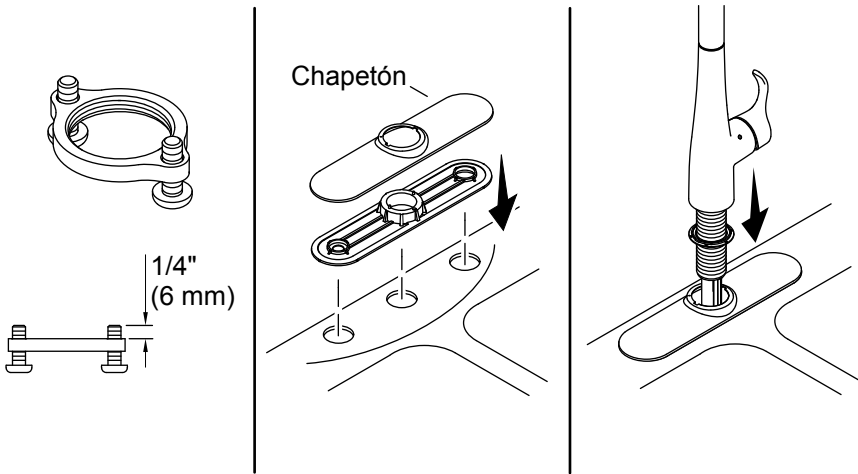
De ser posible, ensamble la grifería al fregadero antes de instalar el fregadero.

En superficies de montaje disperejas (con líneas de lechada de cemento en azulejo) aplique un sellador adecuado bajo la grifería. **No use selladores derivados del petróleo.**

Producto de láser clase 1: Cumple las normas 21 CFR 1040.10 y 1040.11.

*Fuera de Estados Unidos es posible que este se conozca como dispositivo de corriente residual (RCD).

1. Prepare la instalación

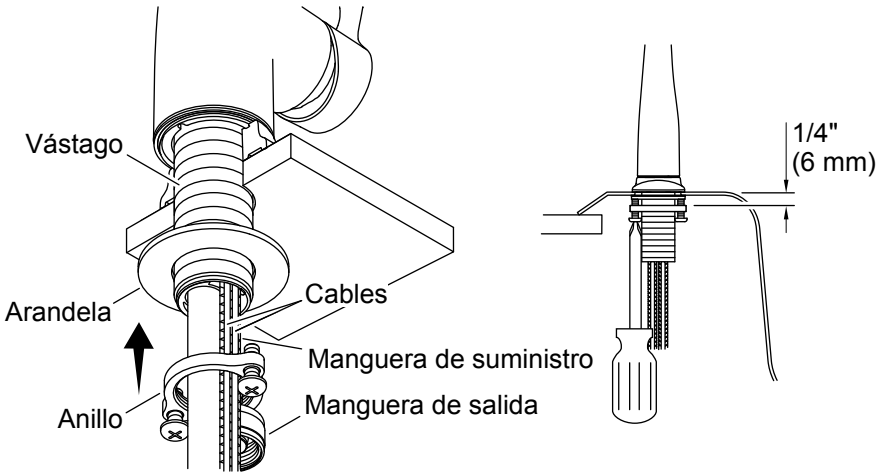


NOTA: La manija está diseñada para quedar del lado derecho.

- Cierre los suministros de agua.
- Enrosque los tornillos en el anillo hasta que sobresalgan 1/4" (6 mm) de la superficie.
- Use el chapetón que se incluye con su grifería. Instale el chapetón.
- Introduzca la grifería a través de la superficie de montaje, con la manija hacia la derecha.

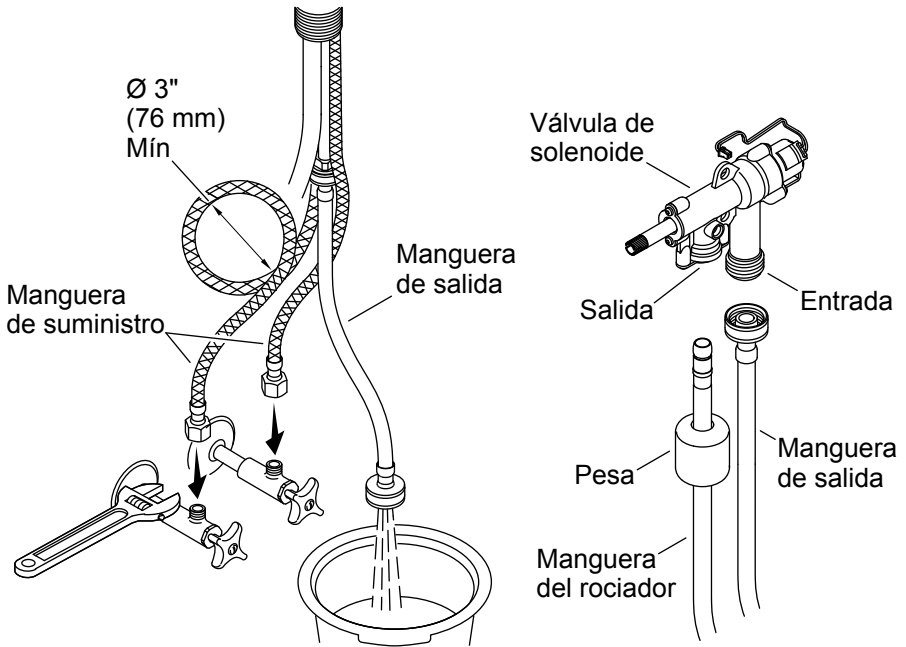
2. Instale la grifería

ES



- Deslice la arandela y el anillo sobre la manguera de salida, y luego introduzca las mangueras de suministro y los cables a través de la arandela y del anillo.
- Enrosque el anillo en el vástago hasta que la arandela haga contacto con la cara inferior del fregadero.
- Ajuste el anillo para alinear los tornillos con la parte delantera y posterior de la grifería.
- Apriete bien los tornillos.

3. Conecte las líneas de suministro



PRECAUCIÓN: Riesgo de restricción de flujo de agua y de daños al producto. Las mangueras de suministro no deben quedar tensas, pellizcadas ni torcidas al instalarlas. Si debe enrollar las mangueras de suministro, mantenga un diámetro interior (DI) de 3" (76 mm).

Conecte los suministros de agua

- Conecte y apriete las mangueras de suministro a las llaves de paso de suministro.
- Coloque un recipiente bajo la manguera de salida.
- Abra los suministros de agua.
- Deje correr agua caliente y fría durante 1 minuto para que salgan todos los residuos.
- Conecte la manguera de salida a la entrada de la válvula de solenoide.

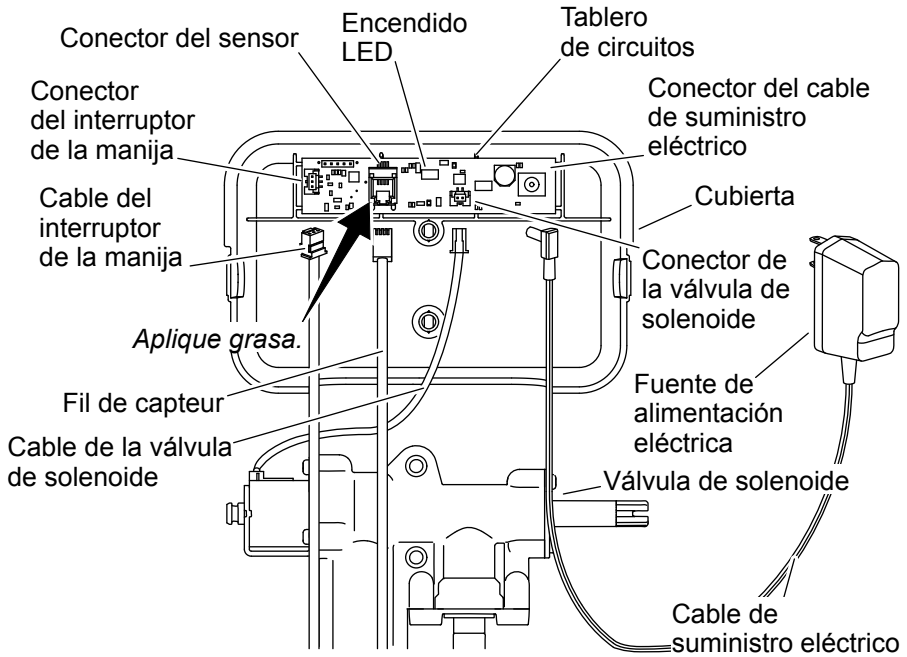
Conecte la manguera del rociador

- Retire la tapa protectora.

NOTA: La pesa debe quedar instalada en la manguera del rociador para que actúe como tope y para evitar daños por torceduras.

- Introduzca la pesa deslizándola en la manguera del rociador.
- Conecte la manguera del rociador a la salida de la válvula de solenoide.

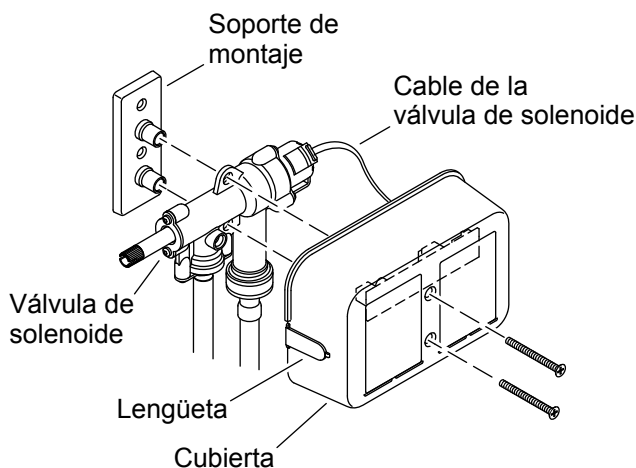
4. Conecte los cables



- Aplique grasa (se incluye) al casquillo del sensor ubicado en el tablero de circuitos dentro de la cubierta. Esto ofrece protección adicional contra la corrosión.
- Conecte el cable del interruptor de la manija bajo la grifería al conector del interruptor de la manija en el tablero de circuitos.
- Conecte el cable del sensor de la grifería al conector del sensor en el tablero de circuitos.
- Conecte el cable de suministro eléctrico al conector de suministro eléctrico en el tablero de circuitos.
- Conecte el cable de la válvula de solenoide al conector de la válvula de solenoide en el tablero de circuitos.
- Enchufe el suministro eléctrico a un tomacorriente no conmutado de 120 VCA. Se ilumina el diodo (LED) de encendido en el tablero de circuitos.
- Pruebe la activación del sensor. Consulte la sección "Funcionamiento de la grifería".

5. Monte el alojamiento

ES



⚠ PRECAUCIÓN: Riesgo de restricción de flujo de agua. La manguera de salida no debe quedar tensa ni torcida al instalarla. Coloque la válvula de solenoide de 7" (178 mm) a 8" (203 mm) de la línea de centros de la grifería.

NOTA: Deje el espacio libre adecuado para dar servicio.

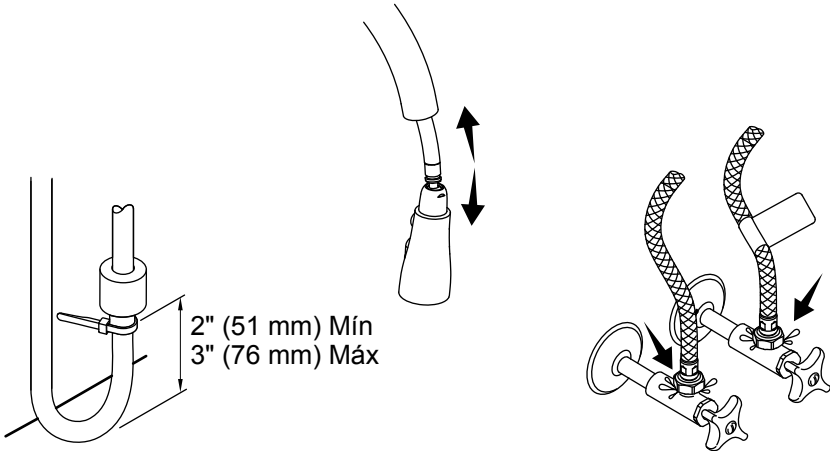
NOTA: El soporte de montaje se debe fijar con dos sujetadores adecuados (no se incluyen) de acuerdo al tipo y al grosor del gabinete o del material de la pared.

- Coloque el soporte de montaje entre 7" (178 mm) a 8" (203 mm) de la línea de centros de la grifería.
- Fije el soporte de montaje verticalmente con respecto al gabinete o a la pared.

NOTA: La válvula de solenoide se puede colocar a la derecha o a la izquierda. Retire la lengüeta correspondiente en la cubierta.

- Coloque la válvula de solenoide y la cubierta en el soporte de montaje.
- Fije la válvula de solenoide y la cubierta al soporte de montaje con los 2 tornillos que se incluyen.

6. Termine la instalación



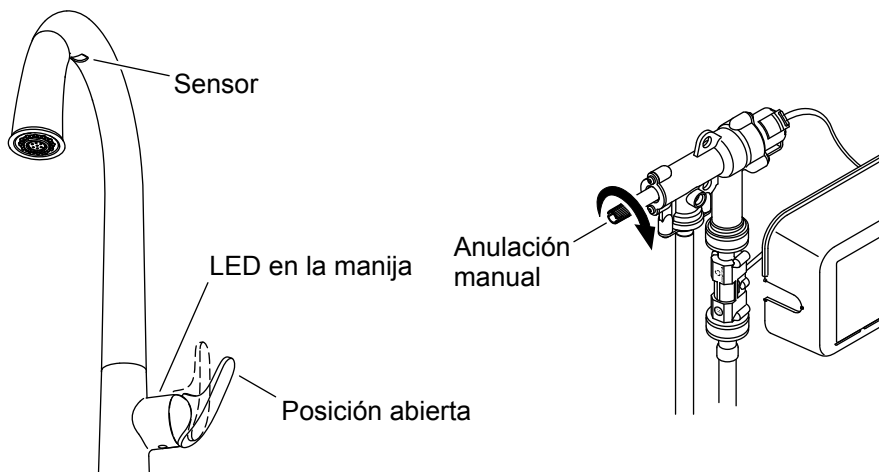
Coloque la pesa

- Coloque la pesa de 2" (51 mm) a 3" (76 mm) del piso del gabinete.
- Fije el sujetacables alrededor de la manguera del rociador justo bajo la pesa.
- Saque y retraiga la manguera del rociador para verificar que funcione sin dificultades.

Verifique que no haya fugas

- Abra los suministros de agua.
- Revise que no haya fugas en las conexiones.
- Compruebe que la grifería funcione correctamente. Consulte la sección "Funcionamiento de la grifería".

Funcionamiento de la grifería



NOTA: Algunos objetos transparentes y ciertos colores no son detectables por el sensor. Siempre use la mano para probar el sensor.

- Gire la manija hacia fuera, a la posición abierta, para abrir el flujo de agua. El diodo (LED) en la manija se ilumina para indicar que el sensor está funcionando.
- Ajuste la manija a la temperatura de agua deseada.
- Pase la mano bajo el surtidor para cerrar el flujo de agua.
- Pase la mano de nuevo bajo el surtidor para volver a abrir el flujo de agua.
- Si es necesario, consulte la sección “Ajuste del diodo en la manija” para obtener más información.

NOTA: Durante periodos prolongados sin uso, vuelva a colocar la manija en la posición cerrada (vertical). El diodo (LED) en la manija se apaga para indicar que no hay disponible flujo de agua.

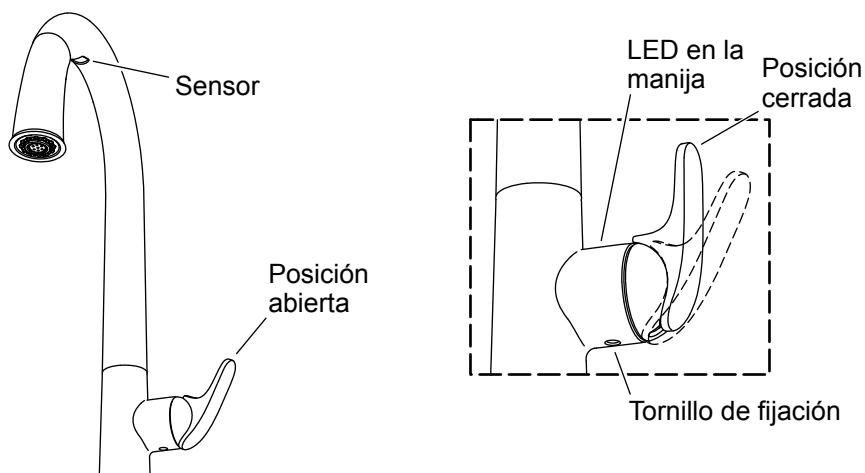
Características

- Diodo en la manija:** Se ilumina cuando el sensor está activo.
- Diodo de encendido:** Indica que hay suministro eléctrico al tablero de circuitos.

- **Cierre automático:** Después de 4 minutos de inactividad, el agua se cierra automáticamente.
- **Anulación del sensor:** En el caso de pérdida de suministro eléctrico, active la función de anulación en la válvula de solenoide para evitar la función del sensor. La grifería puede entonces funcionar manualmente.

Ajuste del diodo (LED) en la manija

ES

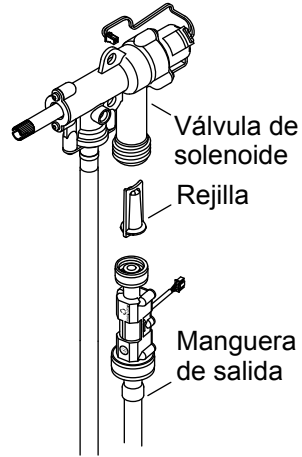
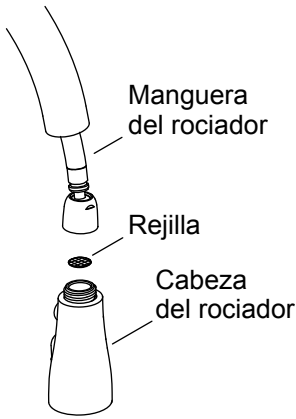


¡IMPORTANTE! Al ajustar, no aplique presión hacia arriba al tornillo de fijación de la válvula.

NOTA: El diodo debe encenderse al girar la manija a la posición abierta, y debe apagarse cuando la manija está en la posición hacia arriba (cerrada). Con una llave hexagonal de 5/64 pulg., ajuste el tornillo de fijación de la válvula lo que sea necesario.

- El diodo se ilumina cuando la manija está cerrada:** Apriete el tornillo de fijación de la válvula hasta que se apague el diodo. Luego apriete el tornillo de fijación 1/4 de vuelta adicional.
- La manija no regresa a la posición vertical:** Afloje el tornillo de fijación de la válvula hasta que la manija gire a la posición vertical (cerrada) y se ilumine el diodo. Luego apriete el tornillo de fijación hasta que el diodo se apague, y dele 1/4 de vuelta más.
- El agua no cierra por completo:** Afloje el tornillo de fijación de la válvula hasta que la manija gire a la posición vertical (cerrada) y se ilumine el diodo. Apriete el tornillo de fijación hasta que el diodo se apague, y dele 1/4 de vuelta más.

Limpeza de las rejillas



Rejilla de la cabeza del rociador

- Gire la manija a la posición cerrada.
- Quite la tuerca en el extremo de la manguera del rociador.
- Retire y limpie la rejilla que está dentro de la manguera del rociador.
- Vuelva a introducir la rejilla y a conectar la cabeza del rociador.

Gire la manija a la posición cerrada

- Gire la manija a la posición cerrada.
- Desconecte la manguera de salida de la válvula de solenoide.
- Retire y limpie la rejilla de entrada que está dentro de la válvula de solenoide.
- Vuelva a introducir la rejilla de entrada y vuelva a conectar la manguera de salida.

Resolución de problemas



PRECAUCIÓN: Riesgo de daños a la propiedad. Este producto tiene componentes electrónicos sensibles. Tenga cuidado de no dañar las clavijas ni los conectores al resolver problemas.



PRECAUCIÓN: Riesgo de daños a la propiedad. No inserte nada que no sea el cable del sensor en el conector del cable del sensor (conector de teléfono) en el tablero de circuitos.

Esta guía de resolución de problemas está diseñada únicamente como ayuda general. Si tiene preguntas acerca de servicio e instalación, llame al 1-800-4KOHLER.

Resolución de problemas de la grifería

Síntomas	Causa probable	Acción recomendada
1. No hay flujo de agua.	<p>A. Las llaves de paso están cerradas.</p> <p>B. La manija está en la posición cerrada.</p> <p>C. La manguera de suministro de agua caliente y/o fría está torcida.</p> <p>D. La manguera de salida está torcida.</p> <p>E. El LED en la manija no se ilumina.</p> <p>F. El LED de encendido en el tablero de circuitos no está iluminado.</p> <p>G. Por lo menos una rejilla está tapada.</p>	<p>A. Verifique que las llaves de paso de suministro estén abiertas.</p> <p>B. Gire la manija a la posición abierta. Consulte la sección "Funcionamiento de la grifería".</p> <p>C. Confirme que las mangueras de suministro no estén torcidas. Si las enrolla, mantenga un diámetro interior de 3" (76 mm).</p> <p>D. Confirme que la válvula de solenoide quede entre 7" (178 mm) y 8" (203 mm) de la línea central de la grifería.</p> <p>E. Consulte la sección "Resolución de problemas del interruptor de la manija".</p> <p>F. Consulte la sección "Resolución de problemas del sensor".</p> <p>G. Consulte la sección "Limpieza de las rejillas".</p>

Síntomas	Causa probable	Acción recomendada
2. Poco flujo de agua.	<p>A. Las llaves de paso están parcialmente cerradas.</p> <p>B. La manija está parcialmente cerrada.</p> <p>C. La manguera de suministro de agua caliente y/o fría está pellizcada o torcida.</p> <p>D. La manguera de salida está torcida.</p> <p>E. Por lo menos una rejilla está tapada.</p> <p>F. Diafragma con fisuras.</p>	<p>A. Confirme que las llaves de paso de suministro estén completamente abiertas.</p> <p>B. Gire la manija a la posición completamente abierta.</p> <p>C. Verifique que las mangueras de suministro no estén pellizcadas ni torcidas. Si las enrolla, mantenga un diámetro interior de 3" (76 mm).</p> <p>D. Confirme que la válvula de solenoide quede entre 7" (178 mm) y 8" (203 mm) de la línea central de la grifería.</p> <p>E. Consulte la sección "Limpieza de las rejillas".</p> <p>F. Cambie el ensamblaje de la válvula de solenoide.</p>
3. Mal patrón de rocío.	<p>A. Las boquillas del rociador están tapadas.</p>	<p>A. Para eliminar las partículas residuales, frote el dedo sobre las boquillas con agua que esté fluyendo.</p>
4. El diodo (LED) de encendido no se ilumina.	<p>A. El tablero de circuitos no recibe suministro eléctrico.</p> <p>B. El cable eléctrico está enchufado a un tomacorriente con interruptor.</p>	<p>A. Verifique las conexiones del suministro eléctrico al tablero de circuitos.</p> <p>B. Enchufe el cable eléctrico a un tomacorriente no conmutado de 120 VCA (pruebe el tomacorriente con un radio o con otro aparato). Confirme que se ilumine el diodo (LED) de encendido.</p>
5. Cae un chorrito o gotas de agua cuando la grifería no está en uso.	<p>A. La anulación manual está parcialmente activada.</p>	<p>A. Haga girar el dispositivo de anulación manual hacia la derecha hasta que se detenga; luego hágalo girar hacia la izquierda hasta que deje de gotear agua.</p>

Resolución de problemas de la válvula de solenoide

Síntomas	Causa probable	Acción recomendada
1. Se fuga agua de la válvula de solenoide.	<p>A. Las conexiones de la manguera no están fijas.</p> <p>B. Fuga interna.</p>	<p>A. PRECAUCIÓN: Riesgo de lesiones personales o daños al producto. Desconecte la energía eléctrica principal y cierre el suministro de agua. Revise todas las conexiones. Haga los ajustes necesarios.</p> <p>B. Cambie el ensamblaje de la válvula de solenoide.</p>
2. No se escucha un chasquido cuando se activa la válvula de solenoide.	<p>A. Conexión suelta del cable de la válvula de solenoide.</p> <p>B. La válvula de solenoide no funciona.</p>	<p>A. Revise las conexiones del cable de la válvula de solenoide al tablero de circuitos.</p> <p>B. Cambie el ensamblaje de la válvula de solenoide.</p>

Resolución de problemas del interruptor de la manija

Síntomas	Causa probable	Acción recomendada
1. El diodo en la manija se ilumina cuando la manija está cerrada.	A. Es necesario ajustar el tornillo de fijación de la válvula.	A. Consulte la sección "Ajuste del diodo en la manija".
2. La manija no regresa a la posición vertical.	A. Es necesario ajustar el tornillo de fijación de la válvula.	A. Consulte la sección "Ajuste del diodo en la manija".
3. El agua no cierra por completo.	A. Es necesario ajustar el tornillo de fijación de la válvula.	A. Consulte la sección "Ajuste del diodo en la manija".

Síntomas	Causa probable	Acción recomendada
4. El diodo en la manija no se ilumina cuando la manija se hace girar a la posición abierta.	<p>A. La conexión del cable del interruptor de la manija está suelta.</p> <p>B. El tablero de circuitos no funciona correctamente.</p>	<p>A. Revise la conexión del cable del interruptor de la manija al tablero de circuitos.</p> <p>B. Cambie el ensamblaje de la cubierta.</p>

Resolución de problemas del sensor

Síntomas	Causa probable	Acción recomendada
1. Funcionamiento intermitente del sensor.	<p>A. Suciedad en la lente del sensor.</p> <p>B. El sensor detecta vapor.</p>	<p>A. Elimine con cuidado la suciedad de la lente del sensor con una solución ligera de agua y jabón.</p> <p>B. Gire el surtidor para alejarlo del vapor.</p>
2. El diodo (LED) en la manija está iluminado, pero el de encendido no lo está.	<p>A. Conexión suelta del cable del sensor.</p> <p>B. Suciedad en el conector del cable del sensor.</p> <p>C. El tablero de circuitos no funciona.</p>	<p>A. Revise la conexión del cable del sensor al tablero de circuitos.</p> <p>B. En el tablero de circuitos con cuidado desconecte, limpie y vuelva a conectar el conector del cable del sensor.</p> <p>C. Cambie el ensamblaje de la cubierta.</p>

Conformidad

Este dispositivo cumple con la parte 15 de las normas de la FCC. El funcionamiento está sujeto a las siguientes dos condiciones:

1. Este dispositivo no puede causar interferencias perjudiciales, y
2. Este dispositivo debe aceptar cualquier interferencia que reciba, incluida la interferencia que pudiera causar funcionamiento no deseado.

Cualquier modificación o cambio sin aprobación expresa de la parte responsable del cumplimiento podría invalidar el derecho del usuario a utilizar el producto.

Este equipo ha sido probado, y se ha encontrado que satisface los límites de un aparato digital Clase B, de acuerdo a la sección 15 de las normas de la FCC. Estos límites están diseñados para proveer protección razonable contra interferencia perjudicial en una instalación residencial. Este equipo genera, usa y puede irradiar energía de radiofrecuencia y, si no se instala y se usa de acuerdo con las instrucciones, puede causar interferencia dañina a las comunicaciones de radio. Sin embargo, no hay garantía de que la interferencia no ocurra en una instalación en particular. Si este equipo causa interferencia dañina a la recepción de radio o de televisión, lo que puede determinarse apagando y preñdiendo el equipo, se le recomienda al usuario que intente corregir la interferencia mediante una o más de las siguientes medidas:

- Cambie la orientación o reubique la antena de recepción.
- Incremente la separación entre el equipo y el receptor.
- Conecte el equipo a una toma de corriente a un circuito diferente al que está conectado el receptor.
- Consulte con el distribuidor o un técnico con experiencia en radio/TV para obtener ayuda.

Este aparato digital Clase B cumple la norma canadiense ICES-003.

USA/Canada: 1-800-4KOHLER (1-800-456-4537)
Mexico: 001-800-456-4537
kohler.com

THE BOLD LOOK
OF **KOHLER**®

©2020 Kohler Co.



1384293-2

1384293-2-C