



California Faucets®

4002, 4002X, 4002Q, 4002QX,
4002M, 4002MX, 4102, 4102M, 4102Q,
5202, 5202Q, 5202M, 5302, 5302Q, 5302M

Widespread Lavatory Faucet Installation Instructions

CALIFORNIA FAUCETS RECOMMENDS THAT ALL PLUMBING PRODUCTS BE INSTALLED BY A LICENSED PROFESSIONAL

IMPORTANT: Read all instructions prior to installation and provide copy of instructions to consumer.

Operating Specifications:

Recommended Supply Pressure: 20 to 70 psi^{*†} [1.4 to 4.8 bar]

Maximum Flow Rate: 1.2 gpm [4.5 Lpm]

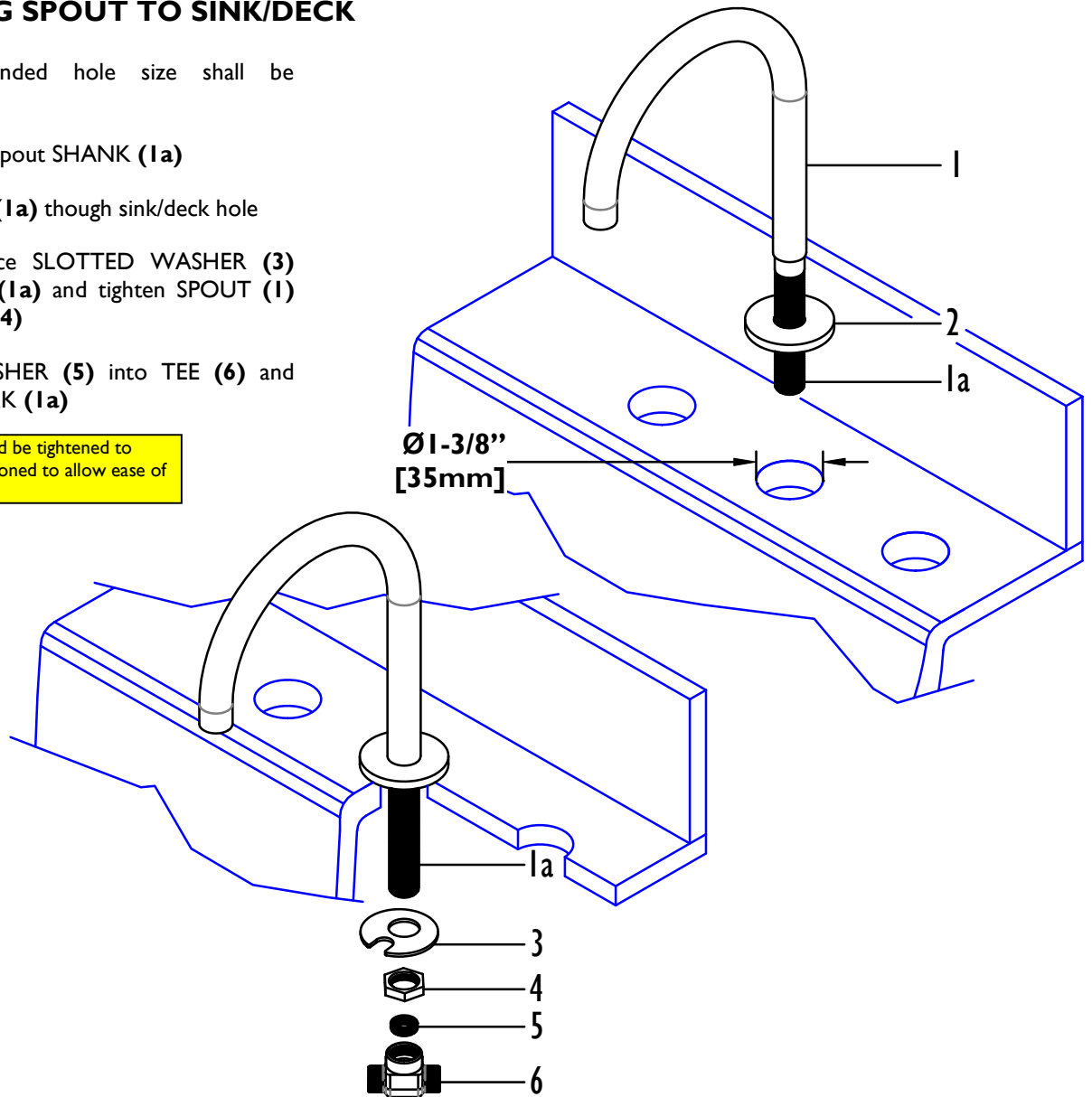
* Operating pressures between hot and cold supplies should vary no more than 30 psi [2.1 bar].

† If water pressure exceeds 70 psi [4.8 bar], install a Pressure-Reducing Valve (PRV).

I INSTALLING SPOUT TO SINK/DECK

- Sink/Deck recommended hole size shall be **Ø1-3/8" [35]mm**
- Slide **RING (2)** onto spout **SHANK (1a)**
- Insert spout **SHANK (1a)** through sink/deck hole
- From underside, place **SLOTTED WASHER (3)** onto spout **SHANK (1a)** and tighten **SPOUT (1)** into place with **NUT (4)**
- Insert **RUBBER WASHER (5)** into **TEE (6)** and attach to spout **SHANK (1a)**

IMPORTANT: TEE (6) should be tightened to create watertight seal and positioned to allow ease of attachment of valve hoses



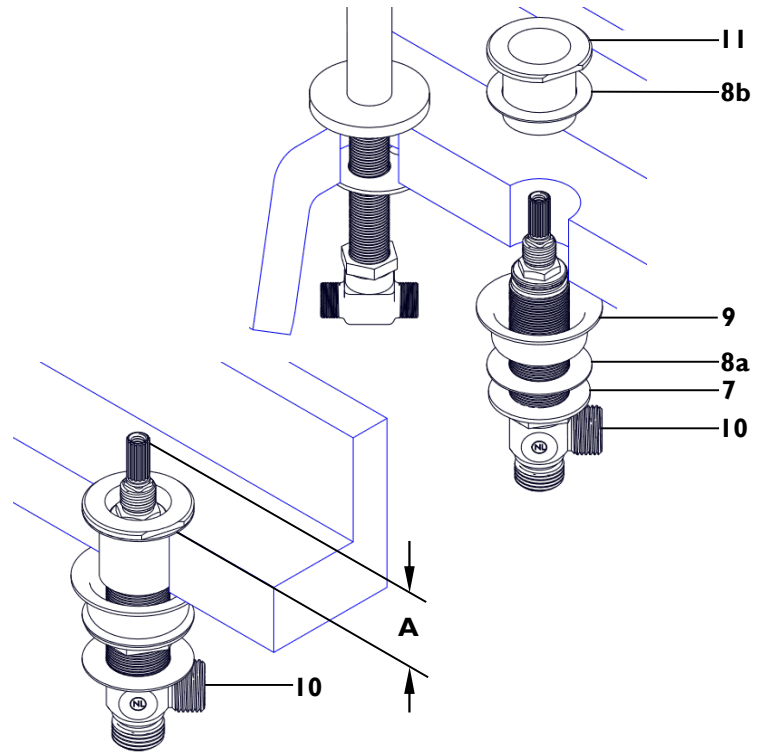
2 INSTALLING VALVE

- From underneath insert VALVE (10) through appropriate sink/deck hole

IMPORTANT: VALVES (10) are labeled as follows:
BLUE is **COLD** left turning (counter-clockwise) closed
RED is **HOT** right-turning (clockwise) closed

- Position flange NUT (7), WASHER (8a), & cup SPACER (9) so that VALVE (10) extends above sink/deck surface according to table below
- Secure VALVE (10) with inverted NUT (11) and WASHER (8b)

Series	A" [mm]
40	1-1/16" [27]
40X	1-1/16" [27]
41	1-1/8" [29]
52	1-3/8" [35]
53	1-3/8" [35]



3 INSTALLING HANDLE

for 40, 52, 53 Series handles

- Attach RING (2) onto HANDLE (12)

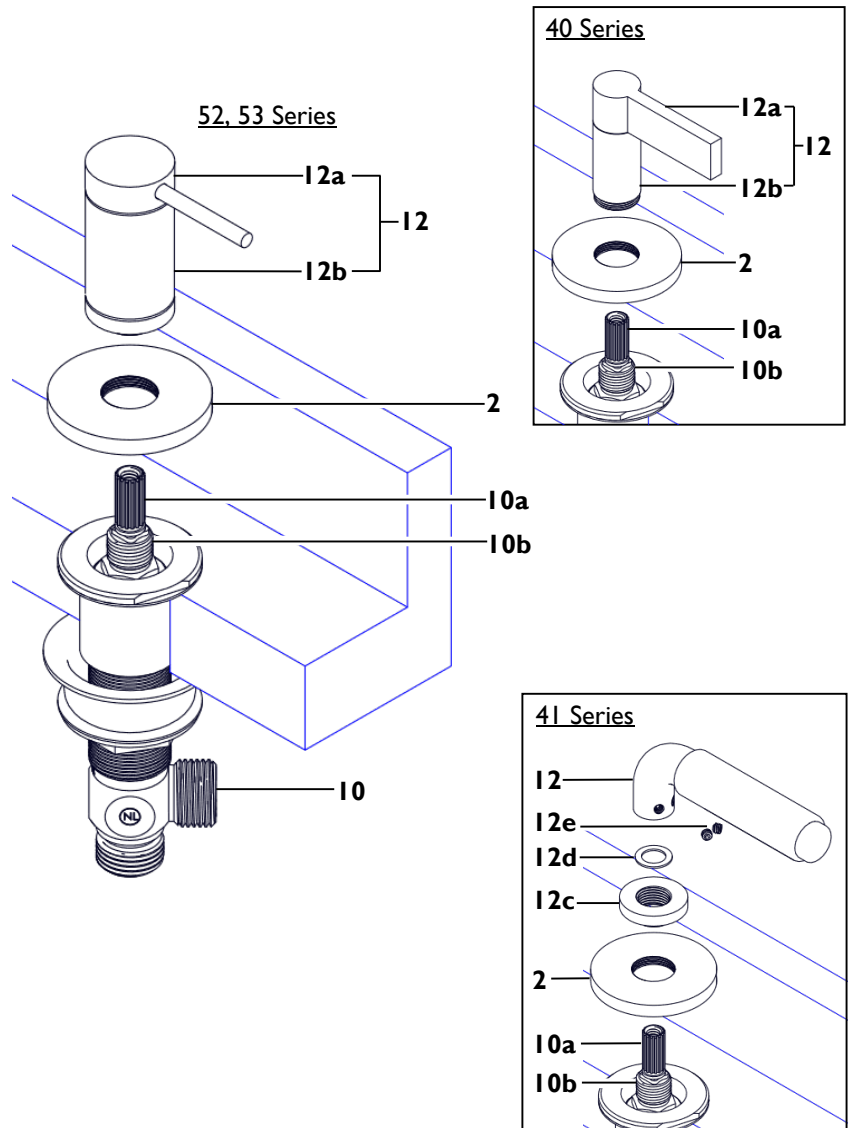
NOTE: Check that handle POST (12b) and RING (2) spin independently of handle TOP (12a)

- Slide HANDLE (12) down onto valve STEM (10a)
- Secure HANDLE (12) to deck by tightening handle POST (12b) onto valve THREADS (10b)

for 41 Series handles

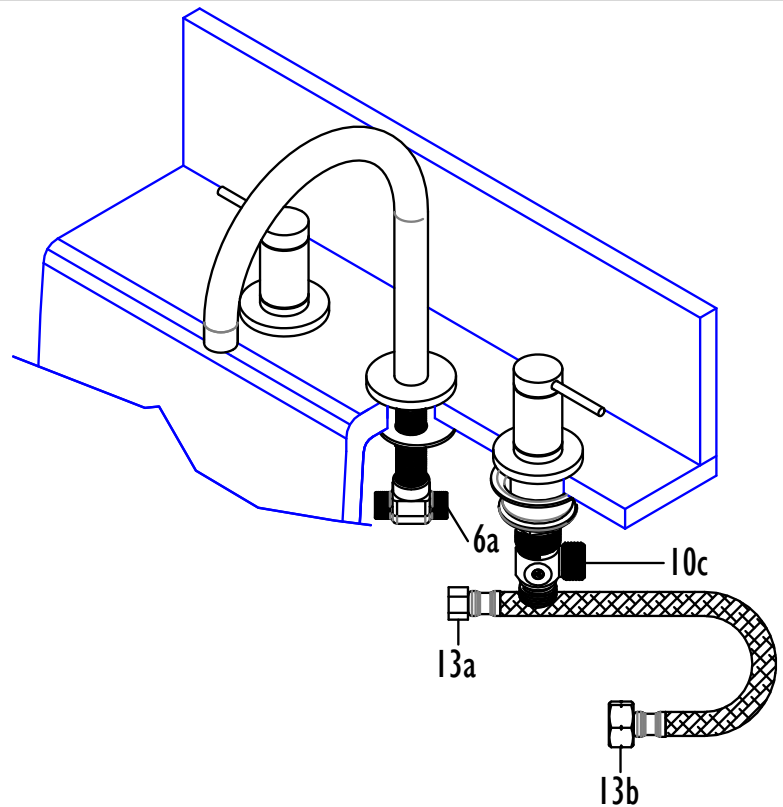
- Secure RING (2) to valve THREADS (10b)
- Secure ADAPTER (12c) onto RING (2)
- Place WASHER (12d) on ADAPTER (12c)
- Slide HANDLE (12) onto valve STEM (10a) and secure with SETSCREWS (12e)

IMPORTANT: To obtain proper alignment it may be necessary to rotate VALVE (10) so that HANDLE (12) is aligned to desired orientation



4 INSTALLING VALVE HOSES

- Attach small hose NUT (13a) to spout TEE (6a)
- Attach large hose NUT (13b) to valve side OUTLET (10c)
- Repeat on other side valve

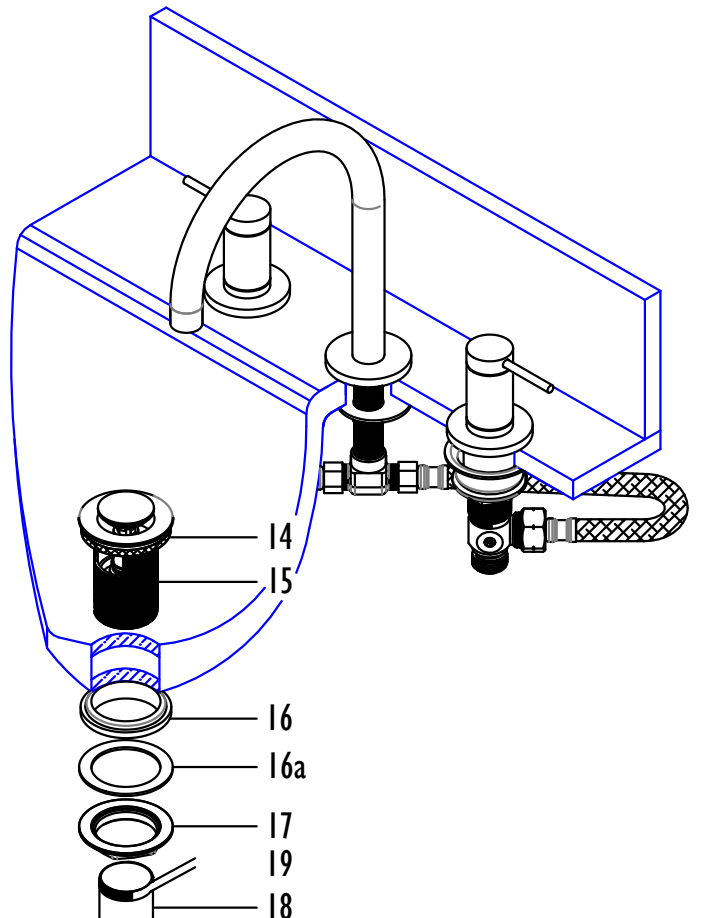


5 INSTALLING DRAIN

- Slide white foam WASHER (14) up under flange of BODY (15)

- or -

- Apply thin film of Silicon® sealant (or equivalent – DO NOT use petroleum-based sealant as this WILL void finish warranty) to underside of flange on BODY (15)
- Insert BODY (15) down through sink drain hole
- From underside, slide MACH-WASHER (16) and FRICTION-WASHER (16a) up onto BODY (15)
- Secure BODY (15) into place with flange NUT (17)
- Apply 2-3 wraps of Teflon® tape (19) (not supplied) to threaded portion of TAILPIECE (18) & tighten onto BODY (15)



6

INSTALLING SUPPLIES LINES

IMPORTANT: Prior to attachment, flush supply lines to remove debris that may cause damage or malfunction to valve cartridge.

The following are two types of supply lines (not included) that may be installed to the valve bodies:

Ballnose riser for exposed application

- Install BALLNOSE RISER (20a) using valve NUT (10e) to secure riser to valve INLET (10d)

Flexible riser for non-exposed application

- Discard valve NUT (10e) & install FLEX RISER (20b) to valve INLET (10d)

Final connections

- Attach drain tailpiece to p-trap (not supplied)
- Turn on water supply valves & check for leaks

