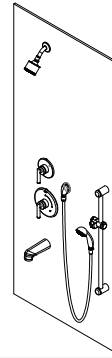




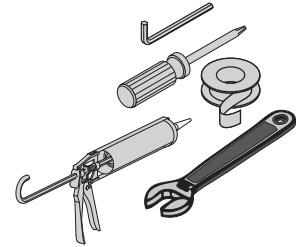
# Shower Trim Operation and Maintenance Manual



|  |  |
|--|--|
| <p><b>Warranty</b></p> <p><b>Limited Lifetime</b> - for residential installations.<br/> <b>10 Years</b> - for commercial/industrial installations.<br/> Refer to <a href="http://www.symmons.com/warranty">www.symmons.com/warranty</a> for complete warranty information.</p>  | <p><b>Product Care</b></p> <p>Clean finished trim area with a soft cloth using mild soap and water or a non-abrasive cleaner, and then quickly rinse with water.</p> |
|--|--|

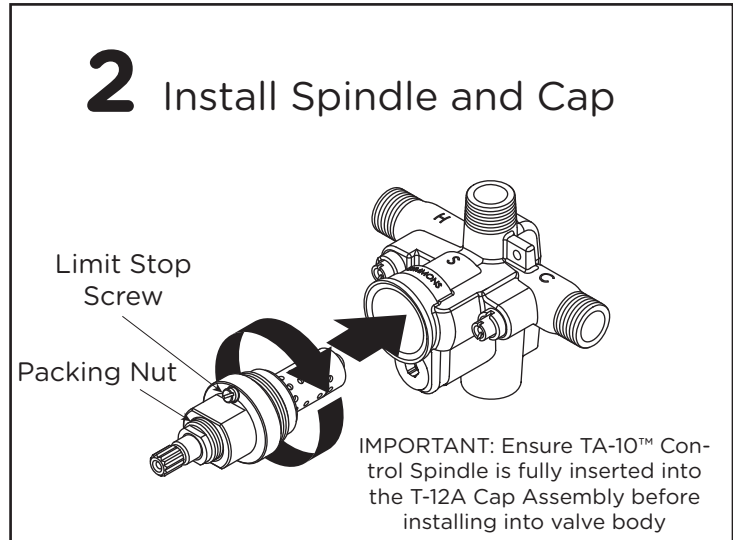
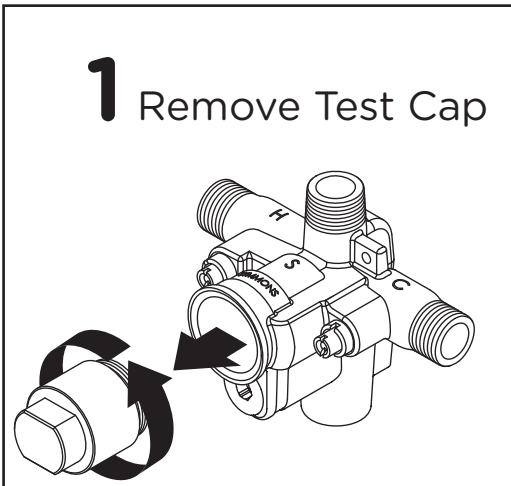
## Installation Instructions

### Tools Required:



### Valve Setup

For rough-in dimensions, refer to submittal



### Installation - Adjust Rotation Resistance

1. Turn hot and cold supplies on. Valve will not operate unless both hot and cold water supply pressures are on.
2. Place handle over flow control spindle.
3. Tighten packing nut for positive frictional resistance as handle is rotated from shut-off position across adjustment range.

### Installation - Setting Limit Stop Screw

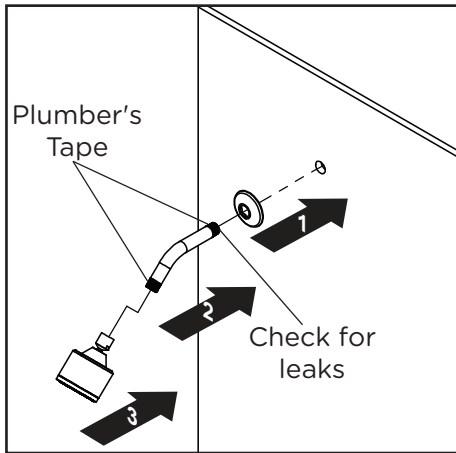
**WARNING:** Failure to adjust limit stop screw properly may result in serious scalding.

1. Turn hot and cold supplies on. Valve will not operate unless both hot and cold water supply pressures are on.
2. Place handle on flow control spindle and open valve to maximum desired temperature.
3. Turn limit stop screw clockwise until it seats.

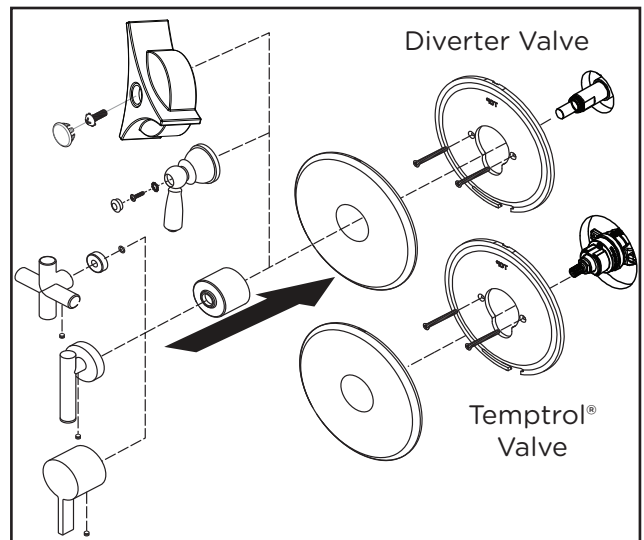
### Warnings:

1. Test cap for pressure testing up to 200 psi maximum (for water). DO NOT exceed 200 psi while pressure testing valve body.
2. Do not expose valve with test cap to heat for longer than 2 minutes when soldering copper tubing. Doing so may damage the internal components of the valve and will void the product warranty.
3. Ensure test cap is re-torqued to 30 lb-ft after soldering valve body.

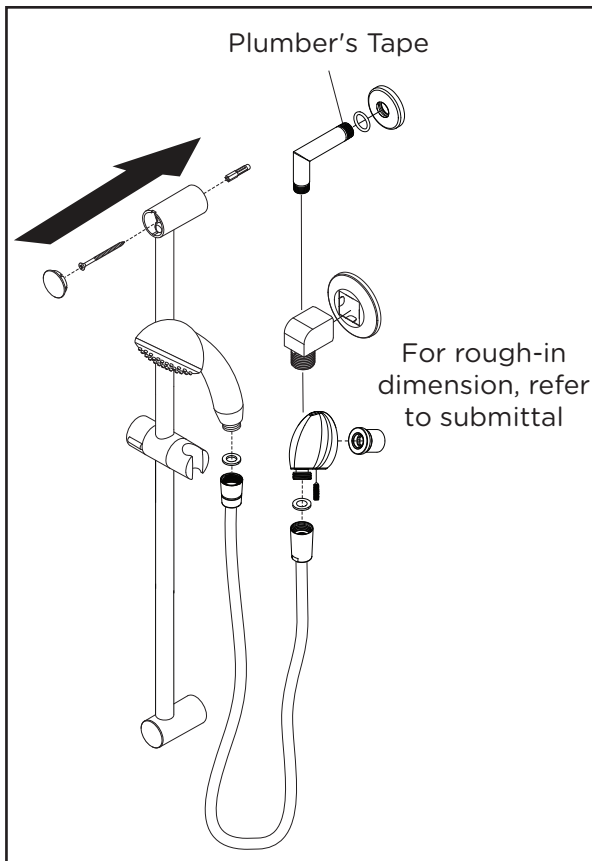
### Showerhead Installation



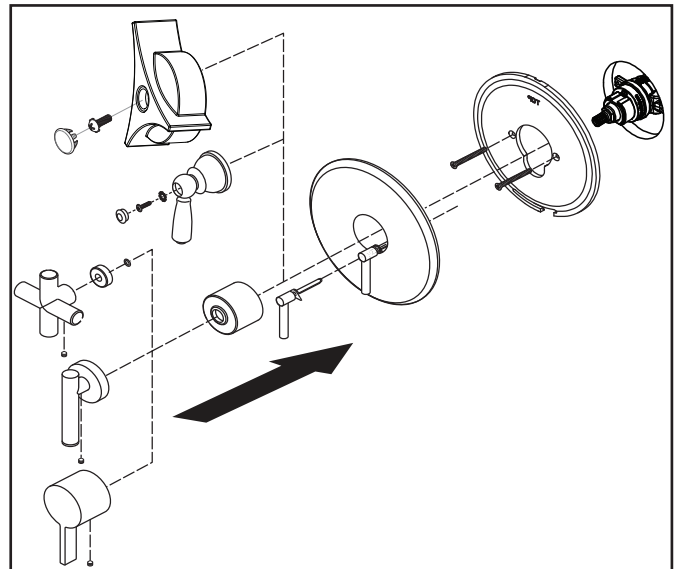
### Shower/Diverter Valve Trim Installation



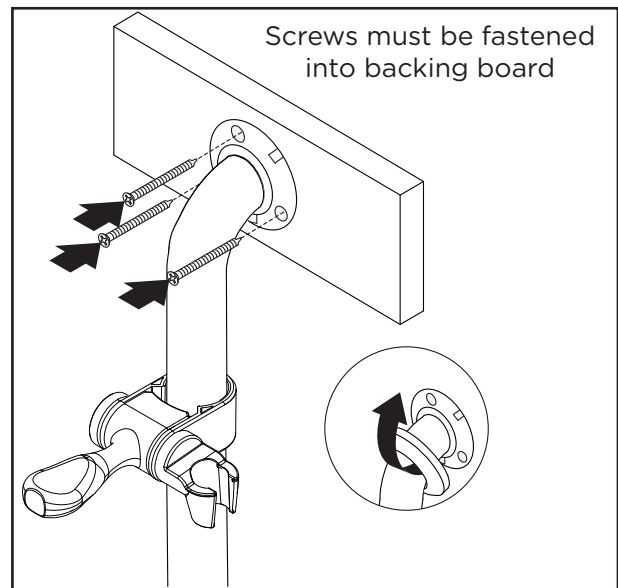
### Hand Shower and Slide Bar Installation



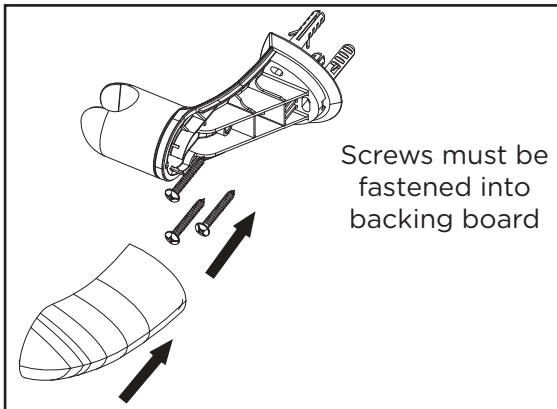
### VersaFlex™ Trim Installation



### Grab Bar Installation

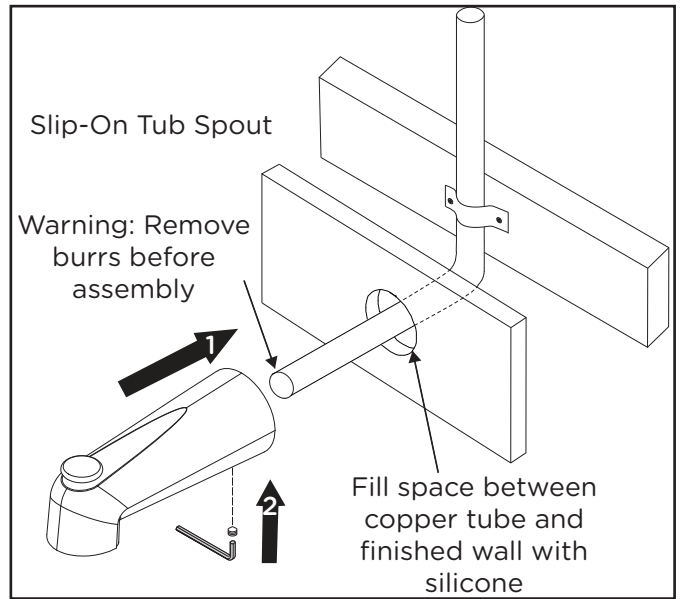
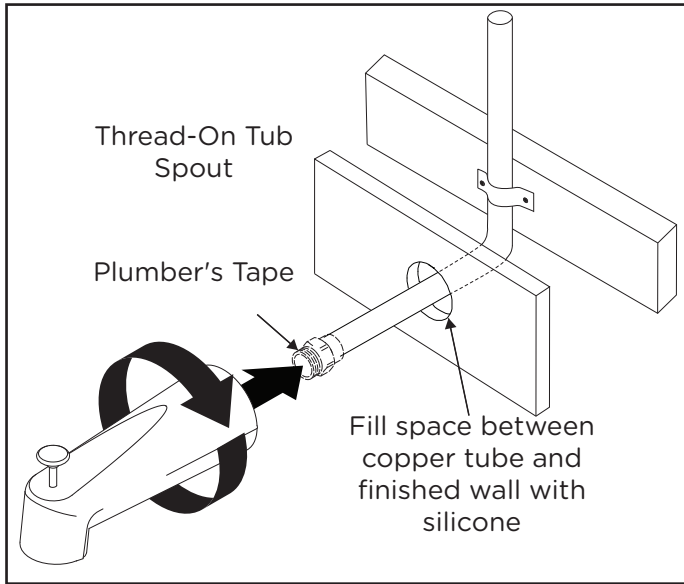


### Wall Cradle Installation

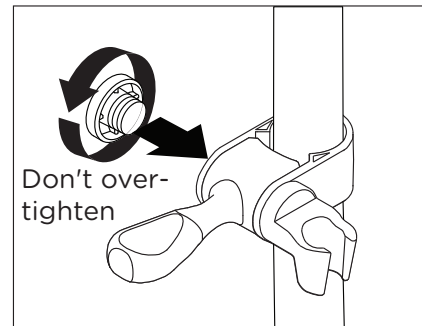
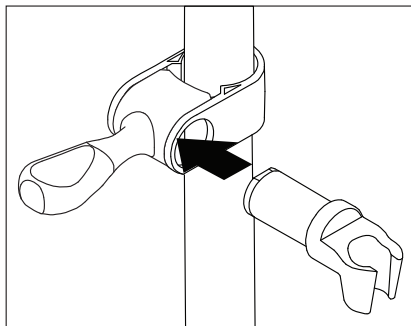
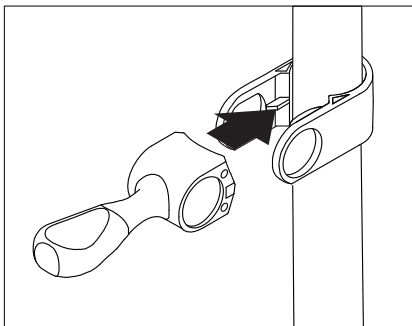


## Tub Spout Installation

For tub spout rough-in dimensions, refer to submittal



## Hand Shower Holder Installation

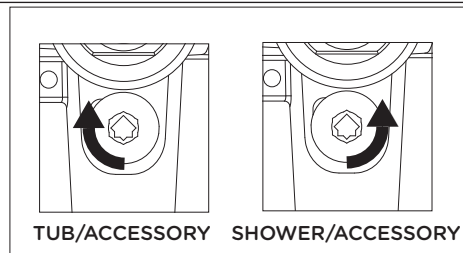


## Operation Guide

### Operation (VersaFlex™ Diverter Control)

Turn diverter control handle clockwise to divert to tub spout or other Symmons accessory.

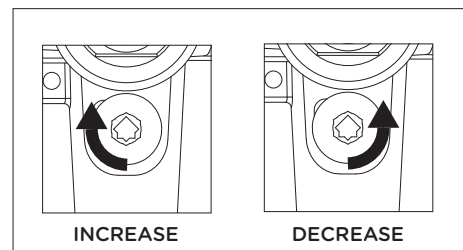
Turn diverter control handle counterclockwise to divert to shower or other Symmons accessory.



### Operation (Volume Control)

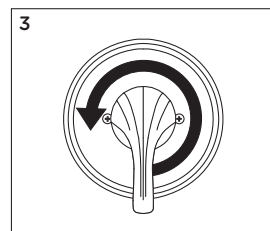
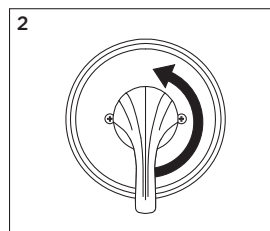
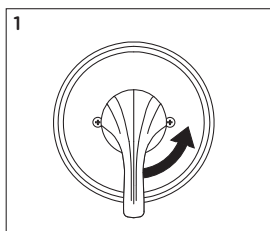
Turn volume control handle clockwise to increase volume.

Turn volume control handle counterclockwise to decrease volume.



## Operation (Temperature Control)

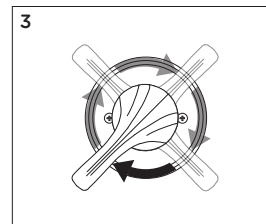
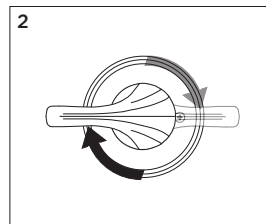
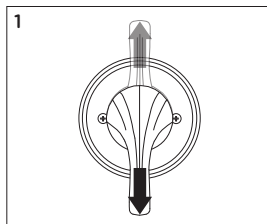
1. Turn shower handle counterclockwise approximately 1/4 turn to put valve in cold position
2. Turn shower handle counter-clockwise approximately 1/2 turn to put valve in warm position
3. Turn shower handle counter-clockwise approximately 3/4 turn to put valve in hot position



## Operation (Dual-Outlet Diverter Control)

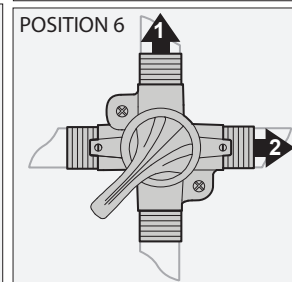
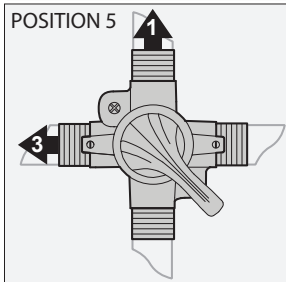
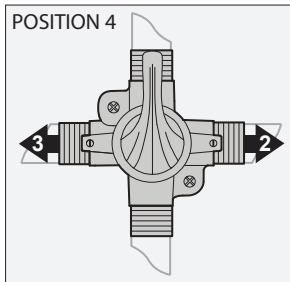
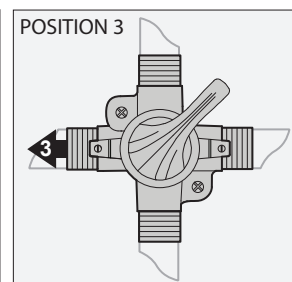
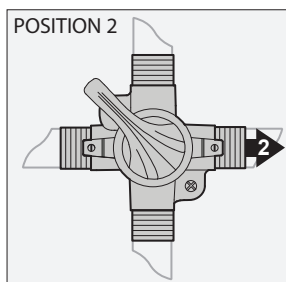
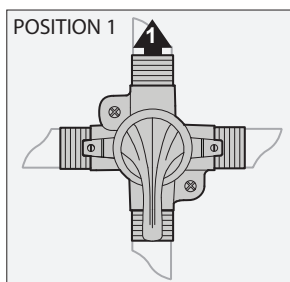
**Note:** Additional handle positions for same output are illustrated.

1. Cartridge is factory-set to divert to function 1
2. Turn handle to position 2 to diverter to function 2
3. Turn handle to position 3 to share functions 1 and 2



## Triple-Outlet Diverter Operation

1. Cartridge is factory-set to divert to function 1.
2. Turn handle to position to divert to function 2.
3. Turn handle to position 3 to divert to function 3.
4. Turn handle to position 4 to share functions 2 and 3.
5. Turb handle to position 5 to share functions 1 and 3.
6. Turn handle to position 6 to share functions 1 and 2.



**⚠ WARNING:** This product can expose you to chemicals including lead, which is known to the state of California to cause cancer, birth defects, or other reproductive harm. For more information, go to [www.P65Warnings.ca.gov](http://www.P65Warnings.ca.gov).