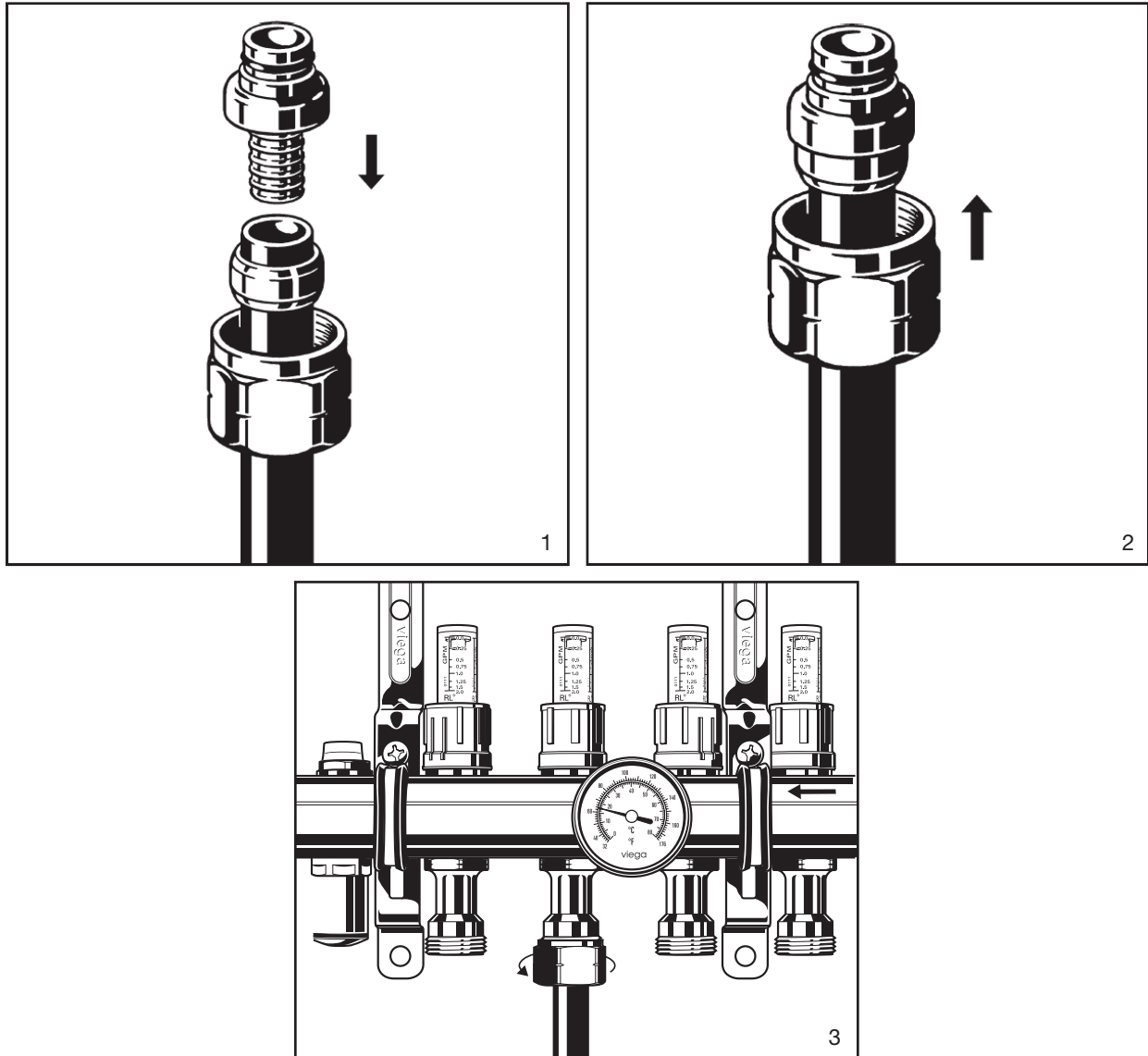


Product Instructions

viega

SVC Compression PEX Adapter $\frac{5}{16}$ " - $\frac{5}{8}$ "

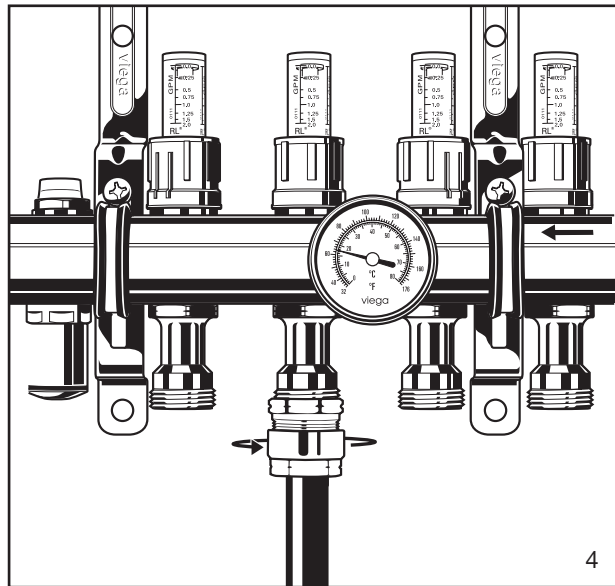
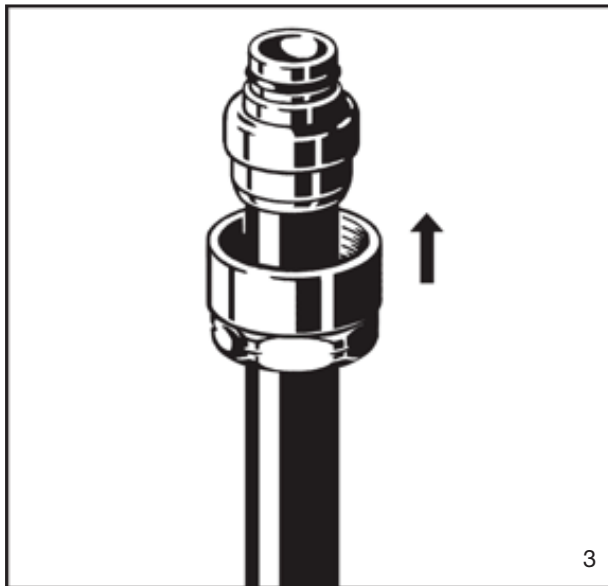
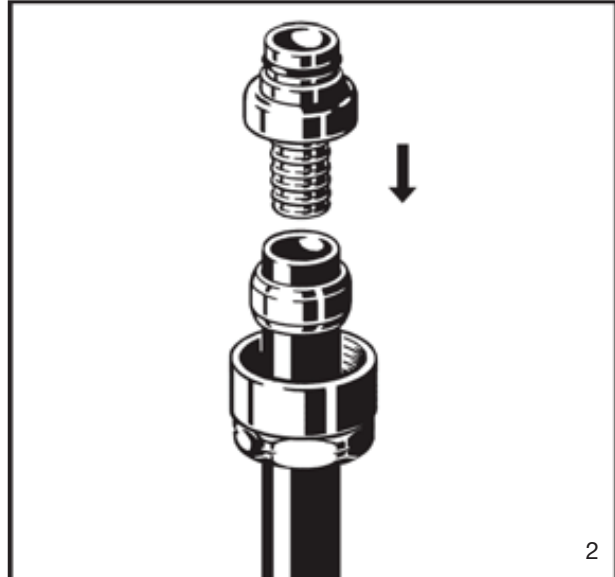
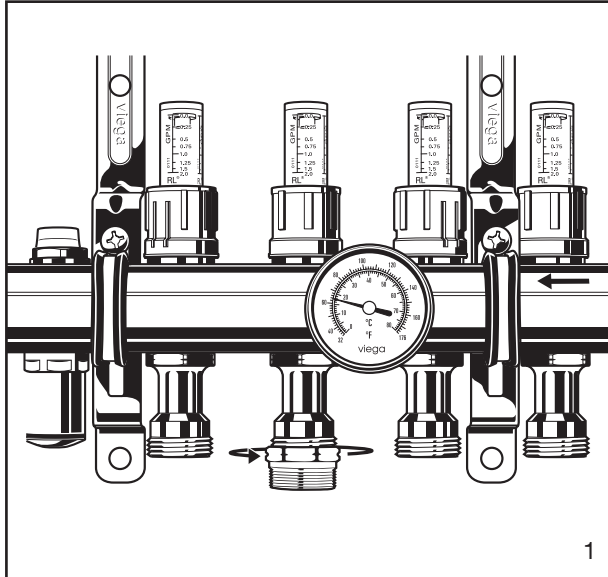


1. Square off tubing to proper length. Slide compression nut up tubing and slip brass ferrule over tubing.
2. Slide tubing over end of SVC adapter, pushing it on fully until tubing is flush with shoulder of fitting.
3. Insert SVC adapter into seat (manifold or other fitting) and tighten compression nut with wrench. Re-tighten compression nut slightly after 30 mins.

Product Instructions

viEGA

SVC Compression PEX Adapter 3/4"



1. Tighten threaded adapter onto seat (manifold or other fitting).
2. Square off tubing to proper length. Slide compression nut up tubing and slip brass ferrule over tubing.
3. Slide tubing over end of SVC adapter, pushing it on fully until tubing is flush with shoulder of fitting.
4. Insert SVC adapter into seat (manifold or other fitting) and tighten compression nut with wrench. Re-tighten compression nut slightly after 30 mins.

This document subject to updates. For the most current Viega technical literature please visit www.viega.us.
Click Services -> Click Electronic Literature Downloads -> Select Product Line -> Select Desired Document

Para ver las instrucciones en español visite www.viega.us -> Services -> Electronic Literature Downloads -> French and Spanish Documents -> Documento Deseado

Pour obtenir des instructions en français visite www.viega.us -> Services -> Electronic Literature Downloads -> French and Spanish Documents -> Document Désiré

Viega LLC, 301 N. Main, 9th Floor • Wichita, KS 67202 • Ph: 800-976-9819 • Fax: 316-425-7618