

**Notice to installing contractor: Instructions must remain with installation.**

Trusted. Tested. Tough.®



MAIL TO: P.O. BOX 16347 • Louisville, KY 40256-0347  
 SHIP TO: 3649 Cane Run Road • Louisville, KY 40211-1961  
 Tel: (502) 778-2731 • 1 (800) 928-PUMP

FM2903  
 0724  
 Supersedes  
 0424

Visit our website:  
 zoellerpumps.com

Product information presented here reflects conditions at time of publication. Consult factory regarding discrepancies or inconsistencies.



**INSTALLATION & SERVICE INSTRUCTIONS  
 803/805/807 GRINDER PUMPS**



Model	HP	Prefix					
		BN	DH	EI	M	N	BEI
803	1/2	115 V, PB, Auto	200-230 V, Auto	200-230 V, Nonauto	115 V, Auto	115 V, PB, Nonauto	200-230 V, PB, Auto
805	3/4	115 V, PB, Auto	200-230 V, Auto	200-230 V, Nonauto	115 V, Auto	115 V, PB, Nonauto	200-230 V, PB, Auto
807	1	115 V, PB, Auto	200-230 V, Auto	200-230 V, Nonauto	115 V, Auto	115 V, PB, Nonauto	200-230 V, PB, Auto

PB: Piggyback

i.e. M803 = 1/2 HP, 115 V, Auto, 60 Hz

**PREINSTALLATION CHECKLIST - ALL INSTALLATIONS**

1. **Inspect all materials.** Occasionally, products are damaged during shipment. If the unit is damaged, contact your dealer before using. DO NOT remove the test plugs from the pump.
2. **Carefully read the literature** provided to familiarize yourself with specific details regarding installation and use. These materials should be retained for future reference.
3. Zoeller does not recommend using grinder pumps in any part of a septic system.



**WARNING**

SEE BELOW FOR LIST OF WARNINGS

1. To reduce the risk of electrical shock, a properly grounded receptacle or control box must be installed in accordance with the governing codes. Never remove ground pin from plug.
2. Make certain that the ground fault interrupter protected receptacle or control box is within the reach of the pump's power supply cord. DO NOT USE AN EXTENSION CORD. Extension cords that are too long or too light do not deliver sufficient voltage to the pump motor, and they could present a safety hazard if the insulation were to become damaged or the connection end were to fall into a damp or wet area.
3. Make sure the pump's electrical supply circuit is equipped with fuses or circuit breakers of proper capacity. A separate branch circuit is recommended, sized according to the governing electrical codes for the current shown on the pump name plate.
4. **Testing for ground.** As a safety measure, each electrical outlet should be checked for ground using an Underwriters Laboratory Listed circuit analyzer which will indicate if the power, neutral and ground wires are correctly connected to your outlet. If they are not, call a qualified licensed electrician.
5. **FOR YOUR PROTECTION, ALWAYS DISCONNECT PUMP FROM ITS POWER SOURCE BEFORE HANDLING.** If pump is wired direct, de-energize the circuit at the control box. Wear insulated protective shoes and do not stand in water.
6. Installation and servicing of the pump's electrical circuits and hardware should only be performed by a qualified, licensed electrician.
7. Installation and maintenance of this appliance is not intended for persons (including children) with reduced physical, sensory or mental capabilities, or lack of experience or knowledge, unless they have been given supervision or instruction concerning use of the appliance by a person responsible for their safety.
8. **Risk of electrical shock.** Do not remove power supply cord and strain relief or connect conduit directly to the pump. If the supply cable is damaged, it must be replaced by an authorized Zoeller Representative.
9. Pump contains oil which becomes pressurized and hot when operating. Allow 2-1/2 hours after disconnecting before attempting service.
10. Pump is not intended for potable water due to possible contamination by oil contained in the pump.
11. **Risk of electric shock.** These pumps have not been investigated for use in marine areas.
12. **Do not attempt to turn cutter located on bottom of the unit with fingers.** Use allen wrench when checking or removing cutter.

**CAUTION**

SEE BELOW FOR LIST OF CAUTIONS

1. Zoeller Grinder Pumps are designed for grinding and pumping sewage from homes. The pump is intended to grind and pump all normal sewage including reasonable quantities of disposable diapers, sanitary napkins, paper towels, rubber materials, cleaning wipes, plastics, cigarette butts and other items normally found in sewage.
2. Check to be sure your power source is capable of handling the voltage requirements of the motor, as indicated on the pump name plate.
3. The installation of variable level float switches is the responsibility of the installing party, and care should be taken that the tethered float switch will not hang up on the pump apparatus or pit peculiarities and is secured so that the pump will shut off. It is recommended to use rigid pipe and fittings and the pit be 18" (45 cm) or larger in diameter.
4. **Vent hole.** It is necessary that all submersible sump, effluent, and sewage pumps capable of handling various sizes of solid waste be of the bottom intake design to reduce clogging and seal failures. If a check valve is incorporated in the installation, a 3/16" (5 mm) vent hole must be drilled in the discharge pipe below the check valve and pit cover to purge the unit of trapped air. Vent hole should be checked periodically for clogging. The vent hole on a High Head application may cause too much turbulence. If you choose not to drill a vent hole, be sure the pump case and impeller is covered with liquid before connecting the pipe to the check valve. **NOTE: THE HOLE MUST BE BELOW THE BASIN COVER AND CLEANED PERIODICALLY.** Water stream will be visible when pump is operating.
5. Pump should be checked frequently for debris and/or build up which may interfere with the float "on" or "off" position. Repair and service should be performed by an Authorized Zoeller Service Station only.
6. Maximum operating temperature for standard model pumps must not exceed 130 °F (54 °C).
7. Do not operate a pump in an application where the Total Dynamic Head is less than the minimum Total Dynamic Head listed on the Pump Performance Curves.
8. For health reasons, do not unplug, turn off, or disable pump and use pump tank system as a way to fill up a sink or laundry tray, etc.
9. Pumps must be installed in accordance with the National Electrical Code and all applicable local codes and ordinances. Pumps are not to be installed in locations classified as hazardous in accordance with National Electric Code, ANSI, NFPA 70.

**NOTE:** Pumps with the "UL" mark and pumps with the "US" mark are tested to UL standard UL778. CSA certified pumps are certified to CSA standard C22.2 No. 108.

REFER TO WARRANTY ON PAGE 2.

P/N 153642

## LIMITED WARRANTY

Manufacturer warrants, to the purchaser and subsequent owner during the warranty period, every new product to be free from defects in material and workmanship under normal use and service, when properly used and maintained, for a period of three years from date of manufacture. Parts that fail within the warranty period, that inspections determine to be defective in material or workmanship, will be repaired, replaced or remanufactured at Manufacturer's option, provided however, that by so doing we will not be obligated to replace an entire assembly, the entire mechanism or the complete unit. No allowance will be made for shipping charges, damages, labor or other charges that may occur due to product failure, repair or replacement.

This warranty does not apply to and there shall be no warranty for any material or product that has been disassembled without prior approval of Manufacturer, subjected to misuse, misapplication, neglect, alteration, accident or uncontrollable act of nature; that has not been installed, operated or maintained in accordance with Manufacturer's installation instructions; that has been exposed to outside substances including but not limited to the following: sand, gravel, cement, mud, tar, hydrocarbons, hydrocarbon derivatives (oil, gasoline, solvents, etc.), or other abrasive or corrosive substances, wash towels, etc. in all pumping applications. The warranty set out in the paragraph above is in

lieu of all other warranties expressed or implied; and we do not authorize any representative or other person to assume for us any other liability in connection with our products.

Contact Manufacturer at, 3649 Cane Run Road, Louisville, Kentucky 40211 USA, Attention: Customer Support Department to obtain any needed repair or replacement of part(s) or additional information pertaining to our warranty.

**MANUFACTURER EXPRESSLY DISCLAIMS LIABILITY FOR SPECIAL, CONSEQUENTIAL OR INCIDENTAL DAMAGES OR BREACH OF EXPRESSED OR IMPLIED WARRANTY; AND ANY IMPLIED WARRANTY OF FITNESS FOR A PARTICULAR PURPOSE AND OF MERCHANTABILITY SHALL BE LIMITED TO THE DURATION OF THE EXPRESSED WARRANTY.**

Some states do not allow limitations on the duration of an implied warranty, so the above limitation may not apply to you. Some states do not allow the exclusion or limitation of incidental or consequential damages, so the above limitation or exclusion may not apply to you.

This warranty gives you specific legal rights and you may also have other rights which vary from state to state.

In instances where property damages are incurred as a result of an alleged product failure, the property owner must retain possession of the product for investigation purpose.

## DO'S & DON'T'S FOR INSTALLING UNIT

- DO** read all installation material with the unit.
  - DO** inspect unit for any visible damage caused by shipping. Contact dealer if unit appears to be damaged.
  - DO** remove all debris from the basin. Be sure that the pump will have a hard, level surface beneath it. **DO NOT** install on sand, gravel or dirt.
  - DO** be sure that the area is large enough to allow proper clearance for the level control switch(es) to operate properly.
  - DO Always Disconnect Pump From Power Source Before Handling.**  
**DO** always connect to a separately protected and properly grounded circuit.  
**DO NOT** ever cut, splice, or damage power cord (Only splice in a watertight junction box).  
**DO NOT** carry or lift pump by its power cord.  
**DO NOT** use an extension cord.
  - DO** install a check valve and a union in the discharge line.
- DO NOT** use a discharge pipe smaller than the pump discharge.
  - DO NOT** utilize this unit for pumping gasoline or other hazardous liquids.
  - DO** test pump immediately after installation to be sure the system is working properly.
  - DO** review all applicable governing codes and verify that the installation conforms to each of them.
  - DO** consult manufacturer for clarifications or questions.
  - DO** consider a two-pump system with an alarm where an installation may become overloaded or primary pump failure would result in property damages.
  - DO** consider a D.C. Backup System where a sump or dewatering pump is necessary for the prevention of property damages from flooding due to A.C. power disruptions, mechanical or electrical problems or system overloading.
  - DO** inspect and test system for proper operations at least every 3 months.

## SERVICE CHECKLIST



**▲ WARNING ELECTRICAL PRECAUTIONS-** Before servicing a pump, always shut off the main power breaker and then unplug the pump - making sure you are wearing insulated protective sole shoes and not standing in water. Under flooded conditions, contact your local electric company or a qualified licensed electrician for disconnecting electrical service prior to pump removal.

**▲ WARNING** Submersible pumps contain oils which becomes pressurized and hot under operating conditions. **Allow 2-1/2 hours after disconnecting before attempting service.**

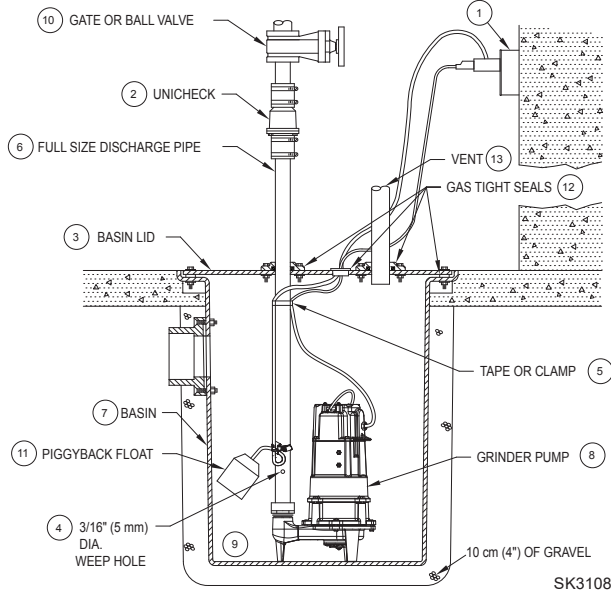
CONDITION	COMMON CAUSES
<b>A. Pump will not start or run.</b>	Check fuse, low voltage, overload open, open or incorrect wiring, open switch, impeller or seal bound mechanically, defective capacitor or relay when used, motor or wiring shorted. Float assembly held down. Switch defective, damaged, or out of adjustment.
<b>B. Motor overheats and trips overload or blows fuse.</b>	Incorrect voltage, negative head (discharge open lower than normal) impeller or seal bound mechanically, defective capacitor or relay, motor shorted.
<b>C. Pump starts and stops too often.</b>	Float tight on rod, check valve stuck or none installed in long distance line, overload open, level switch(s) defective, sump pit too small.
<b>D. Pump will not shut off.</b>	Debris under float assembly, float or float rod bound by pit sides or other, switch defective, damaged or out of adjustment.
<b>E. Pump operates but delivers little or no water.</b>	Check strainer housing, discharge pipe, or if check valve is used vent hole must be clear. Discharge head exceeds pump capacity. Low or incorrect voltage. Incorrect motor rotation. Capacitor defective. Incoming water containing air or causing air to enter pumping chamber.
<b>F. Drop in head and/or capacity after a period of use.</b>	Increased pipe friction, clogged line or check valve. Abrasive material and adverse chemicals could possibly deteriorate impeller and pump housing. Check line.

If the above checklist does not reveal the problem, consult the Product Support Department. Do not attempt to service or otherwise disassemble pump. Service must be performed by a Zoeller Authorized Service Station. Go to [www.zoellerpumps.com](http://www.zoellerpumps.com) to find the Authorized Service Station in your area.

## RECOMMENDED INSTALLATION FOR ALL APPLICATIONS

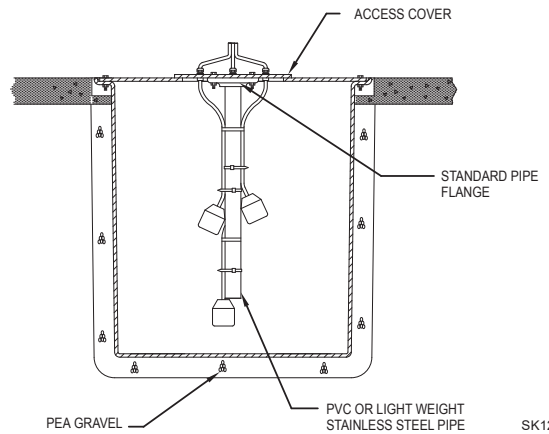
- (1) Electrical wiring and protection must be in accordance with National Electrical Code and any other applicable state and local electrical requirements.
- (2) Install proper Zoeller unichek (combination union and check valve), preferably just above the basin (indoor installations) to allow easy removal of the pump for cleaning or repair. If high head or below cover installation is required use 30-0164 on 1-1/2" (DN40) pipe, 30-0152 on 2" (DN50) pipe and 30-0160 on 3" (DN80) pipe.
- (3) All installations require a basin cover to prevent debris from falling into the basin and to prevent accidental injury.
- (4) When a Unichek is installed, drill a 3/16" (5 mm) dia. hole in the discharge pipe even with the top of the pump. **NOTE: THE HOLE MUST ALSO BE BELOW THE BASIN COVER AND CLEANED PERIODICALLY.** (High Head unit see #3 under "Caution" on front page). Water stream will be visible from this hole during pump run periods.
- (5) Securely tape or clamp power cord to discharge pipe, clear of the float mechanism(s).
- (6) Use full-size discharge pipe.
- (7) Basin must be in accordance with applicable codes and specifications.
- (8) Pump must be level and float mechanism(s) clear of sides of basin before starting pump.
- (9) Basin must be clean and free of debris after installation.
- (10) Gate Valve or Ball Valve to be supplied by installer and installed according to any and all codes.
- (11) For nonautomatic pumps, locate float switches as shown in sketches. The best place for the "off" point is above the motor housing and positioned 180° from the inlet. Never put "off" point below discharge on pump.
- (12) Gas tight seals required to contain gases and odors.
- (13) Vent gases and odors to the atmosphere through vent pipe.

## INSTALLATION SKETCHES



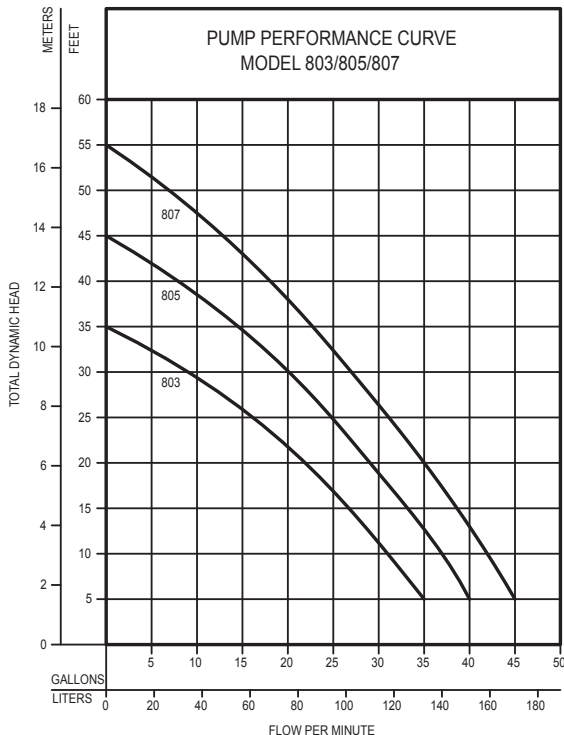
**All installations must comply with all applicable electrical and plumbing codes.**

### TYPICAL FLOAT HANGER ON STEEL COVER PITS



On some installations it may be desirable to install an independent hanger for the level control switches to avoid possible hang ups on the pumps, piping, valves, etc. Float hangers are available from Zoeller Company on Catalog Sheet FM0526 or can be fabricated from standard pipe and fittings.

## PERFORMANCE DATA



TOTAL DYNAMIC HEAD/FLOW PER MINUTE SEWAGE

MODEL	803		805		807		
Feet	Meters	Gal.	Liters	Gal.	Liters	Gal.	Liters
5	1.5	35	132	40	151	45	170
10	3.0	31	117	37	140	42	159
20	6.1	22	83	29	110	35	132
30	9.1	9	34	20	76	27	102
40	12.2	--	--	8	30	18	68
50	15.2	--	--	--	--	7	26
Shut-off Head:		35 ft. (10.7 m)		45 ft. (13.7 m)		55 ft. (16.8 m)	

153604

## SINGLE PHASE WIRING INSTRUCTIONS

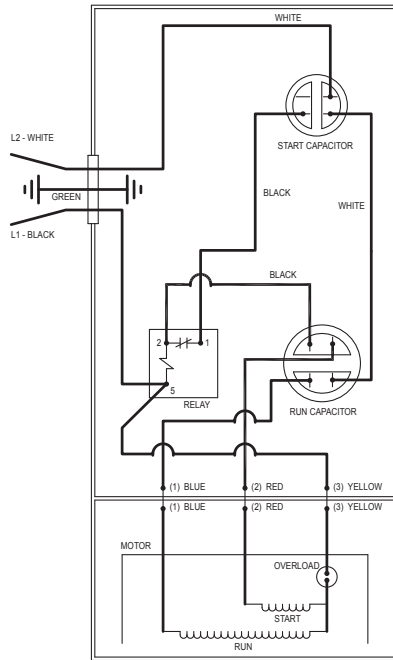


**⚠ WARNING FOR YOUR PROTECTION, ALWAYS DISCONNECT PUMP FROM ITS POWER SOURCE BEFORE HANDLING.** Single phase pumps are supplied with a 3-prong grounded plug to help protect you against the possibility of electrical shock. **DO NOT UNDER ANY CIRCUMSTANCES REMOVE THE GROUND PIN.** The 3-prong plug **must** be inserted into a mating 3-prong grounded receptacle. If the installation does not have such a receptacle, it must be changed to the proper type, wired and grounded in accordance with the National Electrical Code and all applicable local codes and ordinances.



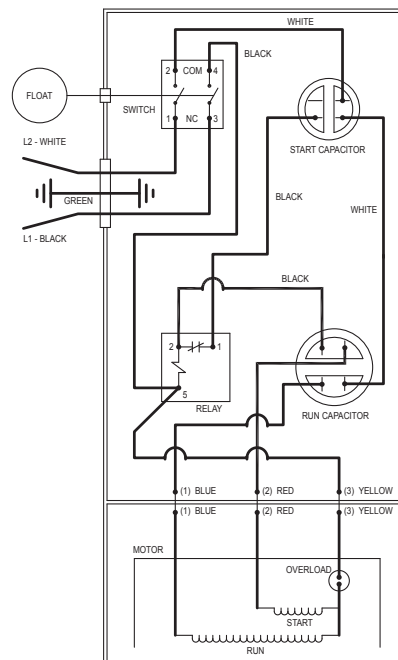
**⚠ WARNING "Risk of electrical shock"** Do not remove power supply cord and strain relief or connect conduit directly to the pump.  
**⚠ WARNING** Installation and checking of electrical circuits and hardware should be performed by a qualified licensed electrician.  
**⚠ WARNING** Units supplied without a plug (single and three phase) and single phase nonautomatic units with a 20 amp plug must have a motor control and liquid level control provided at time of installation. The control device should have suitable voltage, ampere, frequency, grounding and horsepower rating for the pump to which it is connected.

### NONAUTOMATIC WIRING DIAGRAM



153224

### AUTOMATIC WIRING DIAGRAM



153223

## REPAIRS

- All power circuits must be disconnected and locked out before any attempts are made at servicing. The cutter rotor and disc can be removed and sharpened by grinding the cutting faces. Both rotor and disc must be removed from the pump. Removal of these parts can be accomplished in the field by removing pump from the sump and positioning horizontally to access the intake of the pump. If seals or other repairs are required, the pump must be totally removed and serviced in a shop by a qualified pump technician or authorized service center.
- Thoroughly clean the cutter rotor and disc assembly. Tilt pump back to the vertical position to make certain the end play has been removed. Check and record the clearance between the rotor and disc with a feeler gage. The correct running clearance is between 0.003" (0.076 mm) and 0.008" (0.203 mm).
- With pump in horizontal position, heat the hex head bolt in the center of the rotor with a propane torch. The bolt must be heated to 350° F (177° C) to soften the thread lock sealer on the bolt for ease of removal. Remove the bolt by turning in a counterclockwise rotation. It will be necessary to use a wood block to prevent the rotor from turning while removing the bolt. Pull rotor from the shaft and remove the spacer shims located behind the rotor.
- Remove the screws holding the disc and remove disc from the pump.
- The disc and the rotor cutter can be replaced with new service parts or resurfaced by grinding. Resurfacing is accomplished by surface grinding both disc and rotor to a 32 micro finish. Do not attempt grinding in the field. Send parts to a qualified machine shop for repair. The disc, rotor and shims are a matched set. Keep parts together. Measure disc before and after resurfacing with micrometer and record measurements.
- After resurfacing, the disc and rotor must be flat within 0.001" (0.025 mm). If the disc has been surface ground, it will be necessary to remove shims to compensate for the material removed from the disc plus any amount over 0.008" (0.203 mm) measured in the field (step 2, above) before the rotor and disc were disassembled from the pump. The shim thicknesses and disc should be measured with a micrometer and the amount removed from the disc plus any clearance over 0.008" (0.203 mm) must match the shim thickness being removed.
- Clean bottom of pump where disc is located and replace disc and retainer screws. Replace rotor with the correct shims. Install washer and torque to 30 in.-lbs. apply Loctite 262 thread-lock sealant or equal to bolt threads prior to insertion. Check running clearance with pump in vertical position to remove end play. Clearance must be between 0.003" (0.076 mm) and 0.008" (0.203 mm) to obtain efficient grinding when the pump is put back in service.
- Check the oil in the motor housing on 803/805/807 pumps before reinstalling. The level should be even with the fill plug when pump is in the upright position. Add oil if required. Use insulating oil supplied by the factory.

These are the original installation instructions.

Trusted. Tested. Tough.®



DIRECCIÓN POSTAL: P.O. BOX 16347 • Louisville, KY 40256-0347 EEUU  
 DIRECCIÓN PARA ENVÍOS: 3649 Cane Run Road • Louisville, KY 40211-1961 EEUU  
 TEL: +1 (502) 778-2731 • 1-800-928-PUMP

Visite a nuestro sitio web:  
 zoellerpumps.com

La información presentada sobre el producto refleja la especificación a la fecha de publicación. Consultar a fábrica por discrepancias e inconsistencias



# INSTRUCCIONES DE INSTALACIÓN

## BOMBAS TRITURADORAS 803/805/807



Modelo	HP	Prefijo					
		BN	DH	EI	M	N	BEI
803	1/2	115 V, PB, Auto	200-230 V, Auto	200-230 V, No auto	115 V, Auto	115 V, PB, No auto	200-230 V, PB, Auto
805	3/4	115 V, PB, Auto	200-230 V, Auto	200-230 V, No auto	115 V, Auto	115 V, PB, No auto	200-230 V, PB, Auto
807	1	115 V, PB, Auto	200-230 V, Auto	200-230 V, No auto	115 V, Auto	115 V, PB, No auto	200-230 V, PB, Auto

PB: Enchufe en tándem

Por ejemplo: M803 = 1/2 HP, 115 V, Automática, 60 Hz

### LISTA DE VERIFICACIÓN DE PRE-INSTALACIÓN - TODAS LAS INSTALACIONES

1. **Inspeccione todos materiales.** Ocasionalmente, los productos se dañan durante el envío. Si la unidad está dañada, comuníquese con su vendedor antes de usarla. **NO** quite los tapones de prueba de la bomba.
2. **Lea cuidadosamente toda la literatura** provista para familiarizarse con los detalles específicos relacionados con la instalación y uso. Estos materiales deberán guardarse para referencia futura.
3. Zoeller no recomienda el uso de bombas trituradoras en cualquier parte de un sistema séptico.



#### ADVERTENCIA

VER ABAJO LA LISTA DE ADVERTENCIAS

1. Para reducir el riesgo de descarga eléctrica, se debe instalar un tomacorriente propiamente conectado a tierra o una caja de control según los códigos gobernantes. Nunca se debe quitar la clavija de puesta a tierra.
2. Asegúrese de que el tomacorriente o caja de control esté al alcance del cable de alimentación eléctrica de la bomba. **NO USE UN CABLE DE EXTENSIÓN.** Los cables de extensión que son demasiado largos o livianos no suministran voltaje suficiente al motor de la bomba y presentan un peligro a la seguridad si el aislante se daña o el extremo de conexión cae dentro de un área mojado.
3. Asegúrese de que el circuito de alimentación eléctrica de la bomba esté equipado con fusibles o interruptores de circuito de capacidad adecuada. Se recomienda un circuito auxiliar, del tamaño de acuerdo a los códigos eléctricos para la corriente que se muestra en la etiqueta de nombre de la bomba.
4. **Prueba de puesta a tierra.** Como medida de seguridad, cada tomacorriente debe verificarse para puesta a tierra usando un analizador de circuitos, el cual indicará si los alambres de energía, neutrales y de puesta a tierra están conectados correctamente a su tomacorriente. Si no lo están, llame a un técnico electricista calificado.
5. **PARA SU PROTECCIÓN, SIEMPRE DESCONECTE LA BOMBA DE LA FUENTE DE ALIMENTACIÓN ELÉCTRICA ANTES DE MANIPULARLA.** Si la bomba tiene una conexión directa, desconecte el circuito en la caja de control. Use zapatos aislantes protectores y no camine sobre agua.
6. La instalación y verificación de la bomba, de los circuitos eléctricos y del equipo deberán llevarse a cabo por un técnico electricista calificado.
7. La instalación y el mantenimiento de este electrodoméstico no son aptos para personas (incluyendo niños) con facultades físicas, sensoriales o mentales reducidas o sin experiencia ni conocimientos, a menos que sea bajo supervisión o se les instruya respecto a su uso por parte de una persona responsable de su seguridad.
8. **Riesgo de descarga eléctrica.** No quite el cable de alimentación eléctrica ni el dispositivo de alivio de tensión y no conecte un conductor directamente a la bomba. Si está dañado el cable eléctrico se debe reemplazarlo un representante autorizado por Zoeller.
9. La bomba contiene aceite, lo que se pone presurizado y caliente cuando funciona. Permita 2-1/2 horas después de desconectar la bomba antes de manipularla.
10. No use la bomba para agua potable porque el aceite en la bomba lo puede contaminar.
11. **Riesgo de descarga eléctrica.** No se ha investigado el uso de estas bombas en áreas marinas ni en piscinas.
12. **No trate de dar vuelta con los dedos al cortador que está en el fondo.** Use una llave allen para revisar o sacar el cortador.



#### PRECAUCIÓN

VER ABAJO LA LISTA DE PRECAUCIONES

1. Las bombas trituradoras de Zoeller se diseñan para triturar y bombear aguas negras de viviendas. Su finalidad es triturar y bombear desperdicios normales que incluyen cantidades razonables de pañales desechables, toallas sanitarias, toallas de papel, materiales de caucho, plásticos, colillas de cigarrillos y otros artículos que se hallan comúnmente en este tipo de agua.
2. Asegúrese de que la fuente de energía eléctrica sea capaz de manejar los requisitos de voltaje del motor, según se indica en la etiqueta de nombre de la bomba.
3. La instalación de interruptores de flotador de nivel variable es responsabilidad del instalador y deberá verificarse que el interruptor de flotador atado no se enganchará en el aparato de la bomba ni en las peculiaridades del foso y que está fijado de manera que permita la parada de la bomba. Se recomienda usar tubería y empalmes rígidos y que el foso tenga 45 cm (18 pulg.) o más de diámetro.
4. **Agujero de ventilación.** Es necesario que todas las bombas sumergibles de sumidero, efluentes y de aguas negras capaces de manejar residuos sólidos de varios tamaños tengan la entrada en la parte inferior para reducir el atascamiento y las fallas del sello. Si se incorpora a la instalación una válvula de retención, deberá perforarse un agujero de ventilación de aprox. 5 mm (3/16 pulg.) en la tubería de descarga debajo de la válvula de retención y de la tapa del foso a fin de purgar la unidad del aire atrapado. Deberá revisarse periódicamente el agujero de ventilación para verificar que no esté atascado. Un agujero de ventilación en una aplicación de carga elevada podría causar demasiada turbulencia. Si decide no perforar un agujero de ventilación, asegúrese de que la caja de la bomba y el impulsor estén cubiertos de líquido antes de conectar la tubería a la válvula de retención y que no haya ningún tipo de entrada de aire en la vía de entrada de la bomba. **NOTA: EL AGUJERO TAMBIÉN DEBERA ESTAR POR DEBAJO DE LA TAPA DEL SUMIDERO Y SE DEBERA LIMPIARLO PERIÓDICAMENTE.** Se verá un chorro de agua saliendo del agujero durante los períodos de bombeo.
5. Se debe revisar la bomba frecuentemente para asegurarse de que no hay escombros y/o acumulación que pueda interferir con la posición "on" (encendida) o "off" (apagada) del flotador. La reparación y servicio deberá hacerse solamente por personal de una estación de servicio autorizada por Zoeller Pump Company.
6. La temperatura de funcionamiento máxima para bombas de modelo estándar no debe superar 54 °C (130 °F).
7. No opere la bomba en una aplicación donde la carga dinámica total sea menor que la carga dinámica total mínima que se indica en la curva de rendimiento de la bomba.
8. Por razones de salud, no desenchufe, apague o desactive la bomba para llenar un fregadero o tina de lavandería, etc.
9. Las bombas se deben instalar conforme al Código Eléctrico Nacional y a todos los códigos y ordenanzas locales que correspondan. Las bombas no se deben instalar en sitios peligrosos conforme a la clasificación del Código Eléctrico Nacional, ANSI, NFPA 70.

**AVISO:** Las bombas con la marca "UL" y "US" han sido probadas de acuerdo al estándar UL778. Las bombas "aprobadas por CSA" están certificadas de acuerdo al estándar CSA C22.2 No. 108.

REFIÉRASE A LA GARANTÍA EN LA PÁGINA 6.

## GARANTÍA LIMITADA

El Fabricante garantiza, al comprador y el propietario subsiguiente durante el período de garantía, que cada producto nuevo está libre de defectos en materiales y mano de obra bajo condiciones de uso y servicio normales, cuando se usa y mantiene correctamente, durante un período de tres años a partir de la fecha de fabricación original del producto. Las partes que fallen durante el período de garantía, cuyas inspecciones determinen que presentan defectos en materiales o mano de obra, serán reparadas, reemplazadas o remanufacturadas a opción del Fabricante, con la condición sin embargo de que por hacerlo no estemos en la obligación de reemplazar un ensamblaje completo, el mecanismo entero o la unidad completa. No se dará concesión alguna por costos de envío, daños, mano de obra u otros cargos que pudieran surgir por falla, reparación o reemplazo del producto.

Esta garantía no aplica a y no se ofrecerá garantía alguna por ningún material o producto que haya sido desarmado sin aprobación previa del Fabricante, o que haya sido sometido a uso indebido, aplicación indebida, negligencia, alteración, accidente o acto de naturaleza; que no haya sido instalado, usado o mantenido según las instrucciones de instalación del Fabricante; que haya sido expuesto a sustancias foráneas que incluyen pero no se limitan a lo siguiente: arena, grava, cemento, lodo, alquitrán, hidrocarburos, derivados de hidrocarburos (aceite, gasolina, solventes, etc.), u otras sustancias abrasivas o corrosivas, toallas para lavar o productos sanitarios femeninos, etc. en todas las aplicaciones de bombeo. La garantía presentada en el párrafo anterior deja sin efecto cualquier

otra garantía expresa o implícita; y no autorizamos a ningún representante u otra persona para que asuma por nosotros ninguna otra responsabilidad con respecto a nuestros productos.

Comuníquese con el Fabricante en 3649 Cane Run Road, Louisville, KY 40211 EE.UU., Attention: Customer Support Department, para obtener cualquier reparación necesaria o reemplazo de partes o información adicional sobre nuestra garantía.

**EL FABRICANTE EXPRESAMENTE RECHAZA RESPONSABILIDAD POR DAÑOS ESPECIALES, EMERGENTES O INCIDENTALES O POR INCUMPLIMIENTO DE LA GARANTÍA EXPRESA O IMPLÍCITA; Y CUALQUIER GARANTÍA IMPLÍCITA DE IDONEIDAD PARA UN FIN PARTICULAR Y DE COMERCIALIZACIÓN SE LIMITARÁ A LA DURACIÓN DE LA GARANTÍA EXPRESA.**

Algunos estados no permiten limitaciones en la duración de una garantía implícita, de forma que la limitación anterior podría no aplicar a usted. Algunos estados no permiten la exclusión o limitación de daños incidentales o emergentes, de forma que la limitación o exclusión anterior podría no aplicar a usted.

Esta garantía le otorga a usted derechos legales específicos y podría tener otros derechos que varían de un estado a otro.

En los casos en que ocurran daños a la propiedad como consecuencia de un supuesto fallo del producto, el propietario de la propiedad debe conservar el producto con fines de investigación.

## LO QUE DEBE Y NO DEBE HACER PARA INSTALAR UNA BOMBA DE SUMIDERO

1. **LEA** todo el material sobre la instalación provisto con la unidad.
2. **INSPECCIONE** la unidad para ver si hay cualquier daño visible causado durante el envío. Comuníquese con el vendedor si la unidad está dañada.
3. **RETIRE** todos los escombros del sumidero. Asegúrese de que la bomba se apoyará sobre una superficie dura, plana y estable. **NO LA INSTALE** sobre arena, grava o tierra.
4. **ASEGÚRESE** de que la área sea suficientemente grande para permitir el funcionamiento correcto de los interruptores de control de nivel.
5. **SIEMPRE desconecte la bomba de la fuente de alimentación eléctrica antes de manipularla.**  
**SIEMPRE** conecte la bomba a un circuito protegido separadamente y con puesta a tierra adecuado.  
**NO** corte, empalme o dañe el cable de alimentación eléctrica. (Empalme únicamente cuando hay una caja de conexión hermética.)  
**NO** transporte o levante la bomba por su cable de alimentación eléctrica.  
**NO** use un cable de extensión.
6. **INSTALE** una válvula de retención y una unión en la tubería de descarga.

**NO** use una tubería de descarga de menor tamaño que la descarga de la bomba.

7. **NO** esta unidad para bombear gasolina u otros líquidos peligrosos.
8. **PRUEBE** la bomba inmediatamente después de su instalación para asegurarse de que el sistema funciona correctamente.
9. **EXAMINE** todos los códigos gobernantes y verifique que la instalación esté de acuerdo a cada uno de ellos.
10. **CONSULTE** con el fabricante si necesita aclaraciones o tiene preguntas.
11. **CONSIDERE** un sistema de dos bombas con alarma en donde la instalación puede sobrecargarse o la falla de una bomba primaria causaría daños a la propiedad.
12. **CONSIDERE** un sistema de apoyo de CD en donde una bomba de achique o sumidero es necesaria para prevenir daños a la propiedad debido a inundación causada por interrupciones en el suministro de energía eléctrica, problemas mecánicos o eléctricos, o sobrecarga del sistema.
13. **INSPECCIONE** y pruebe el funcionamiento del sistema por lo menos cada 3 meses.

## LISTA DE VERIFICACIÓN DE SERVICIO



**ADVERTENCIA**

**PRECAUCIONES ELÉCTRICAS** - Para dar servicio a una bomba, desconecte siempre primero el interruptor de alimentación principal y después desenchufe la bomba. Asegúrese de no pisar agua y de llevar puesto calzado de seguridad con suela aislante. De haber una inundación, comunicarse con la compañía de electricidad de la localidad o con un electricista certificado para desconectar el servicio eléctrico de la bomba antes de quitarla.

**PRECAUCIÓN**

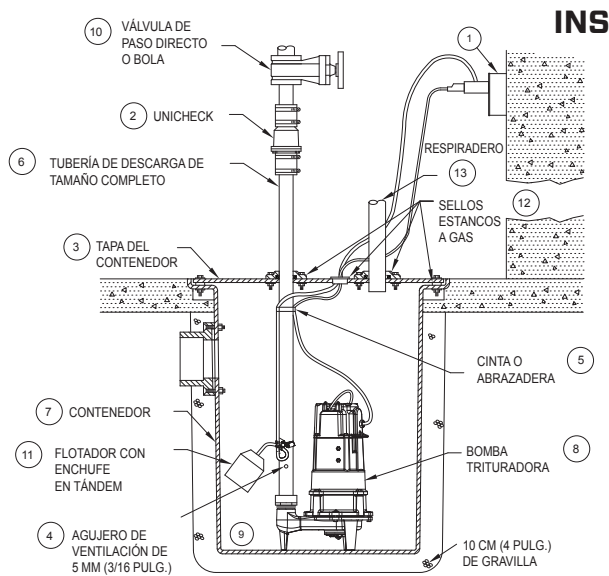
Las bombas sumergibles llevan aceite que se presuriza y se calienta en condiciones de operación. **Antes de proceder con el mantenimiento, permita que pasen 2-1/2 horas después de desconectar.**

CONDICIÓN	CAUSAS COMUNES
A. La bomba no arranca o no funciona.	Verifique el fusible, voltaje bajo, protección contra sobrecarga abierta, cableado abierto o incorrecto, interruptor abierto, impulsor o sello trabado mecánicamente, motor o cableado eléctrico en corto circuito. Conjunto del flotador enganchado. Dañado o fuera de punto.
B. El motor se sobrecalienta y activa la protección contra sobrecarga o desconecta el fusible.	Voltaje incorrecto, carga negativa (descarga abierta menos de lo normal), impulsor o sello trabado mecánicamente, motor en corto circuito.
C. La bomba se enciende y se apaga muy a menudo.	El flotador está apretado en la varilla, la válvula de retención está atascada o no hay una instalada en una línea de larga distancia, protección contra sobrecarga abierta, foso del sumidero demasiado pequeño.
D. La bomba no se apaga.	Hay escombros debajo del conjunto del flotador, el flotador o la varilla del flotador están trabados por los lados del foso u otros, dañado o fuera de punto.
E. La bomba funciona pero sin o con poca agua.	Verifique la entrada, la caja del filtro y la tubería de descarga, el agujero de ventilación debe estar sin obstrucciones. La carga de descarga excede la capacidad de la bomba. (bombas trifásicas solamente) Capacitor defectuoso. El agua de entrada contiene aire o hace que el aire entre en la bomba.
F. Caída en la carga y/o capacidad después de un período de uso.	Aumento de fricción en la tubería, línea o válvula de retención atascada. Material abrasivo o productos químicos adversos podrían haber deteriorado el impulsor o el cárter de la bomba. Revise la línea. Quite la base e inspeccione.

Si la lista de verificación arriba mencionada no revela el problema, consulte con el departamento de Product Support. No intente proporcionar algún servicio o desarmar la bomba. Las estaciones de servicio autorizadas por Zoeller deberán proporcionar dicho servicio.

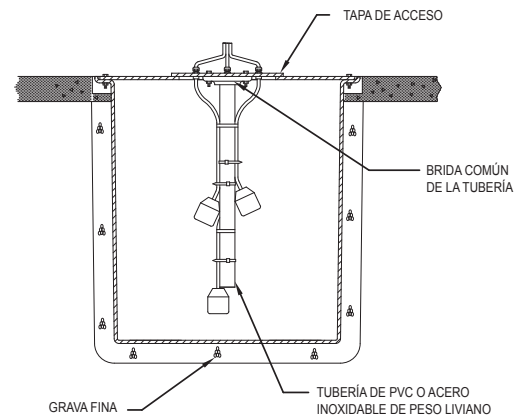
## INSTALACIÓN RECOMENDADA PARA TODAS LAS APLICACIONES

- El cableado y la protección eléctrica deben estar de acuerdo con los códigos eléctricos gobernantes.
- Instale el "Unicheck" (combinación de unión y válvula de retención apropiado de Zoeller, luego arriba del estanque para que se pueda quitar fácilmente la bomba para su limpieza o reparación. Si requiere instalación de carga elevada o por debajo de la tapa, use 30-0164 en tubería de DN40 (1-1/2 pulg.), 30-0152 en tubería de DN50 (2 pulg.) y 30-0160 en tubería de DN80 (3 pulg.).
- Todas las instalaciones requieren una tapa para prevenir que escombros caigan dentro del estanque y prevenir lesiones accidentales.
- Cuando instale un "Unicheck", perforo un agujero de 5 mm (3/16 pulg.) de diámetro en la tubería de descarga al mismo nivel de la parte superior de la bomba. **NOTA: EL AGUJERO TAMBIÉN DEBERÁ ESTAR POR DEBAJO DE LA TAPA DEL ESTANQUE Y SE DEBE LIMPIARLO PERIÓDICAMENTE.** Se verá un chorro de agua saliendo del agujero durante los períodos de bombeo.
- Fije firmemente el cable de alimentación eléctrica al tubo de descarga con cinta o abrazadera.
- Use tubería de descarga de tamaño completo.
- El contenedor para agua debe estar de acuerdo con los códigos y las especificaciones aplicables.
- La bomba debe estar nivelada y el mecanismo del flotador libre de los lados del contenedor para agua antes de encender la bomba.
- El contenedor para agua debe estar limpio y libre de escombros después de la instalación.
- El instalador deberá suministrar una válvula de paso directo, de apagado o bola e instalarla de acuerdo con todos los códigos.
- Para bombas no automáticas, la ubicación de los interruptores de flotador es como se muestra en los esquemas. El punto "off" (apagado) debe estar por encima de la carcasa del motor y a 180° de la entrada. Nunca ubicar el punto "off" debajo de la entrada de la bomba.
- Los sellos herméticos contra gases son necesarios a fin de contener los gases y olores.
- Ventile los gases y olores a la atmósfera a través del tubo de ventilación.



## INSTALACIÓN

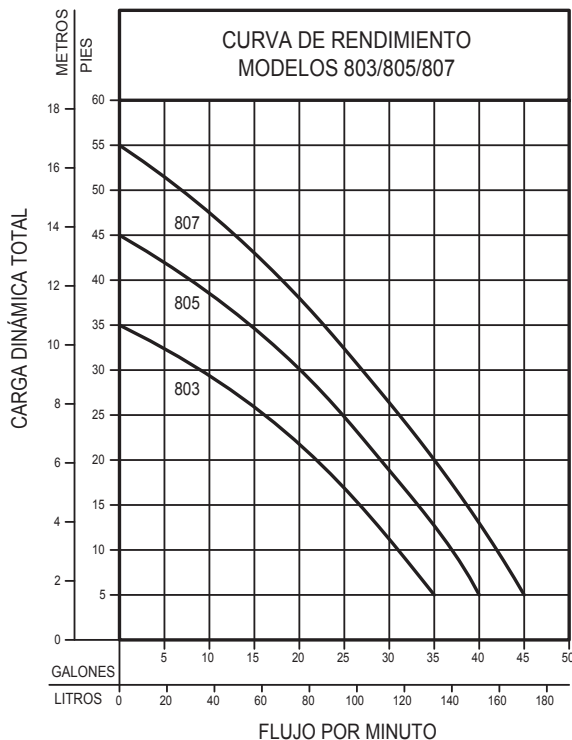
### SOPORTE COLGANTE PARA FLOTADOR TÍPICO EN FOSOS CON TAPA DE ACERO



En algunas instalaciones es deseable instalar un soporte colgante independiente para los interruptores de control de nivel para evitar posibles enganches en las bombas, tubería, válvulas, etc. Los soportes colgantes del flotador se pueden comprar de Zoeller Company según la Hoja de catálogo FM0526, o fabricarse de tubería y empalmes comunes.

Todas las instalaciones deben cumplir con todos los códigos eléctricos y de instalación sanitaria aplicables.

## DATOS DE RENDIMIENTO



### CARGA DINÁMICA TOTAL FLUJO POR MINUTO

MODELO	803		805		807		
Pies	Metros	Galones	Litros	Galones	Litros	Galones	Litros
5	1.5	35	132	40	151	45	170
10	3.0	31	117	37	140	42	159
20	6.1	22	83	29	110	35	132
30	9.1	9	34	20	76	27	102
40	12.2	--	--	8	30	18	68
50	15.2	--	--	--	--	7	26
Carga máxima:		10.7 m (35 pies)		13.7 m (45 pies)		16.8 m (55 pies)	

153604

# INSTRUCCIONES PARA EL CABLEADO MONOFÁSICO



**ADVERTENCIA** PARA SU PROTECCIÓN, SIEMPRE DESCONECTE LA BOMBA DE LA FUENTE DE ALIMENTACIÓN ELÉCTRICA ANTES DE MANIPULARLA. Las bombas monofásicas se suministran con enchufes de 3 patillas con puesta a tierra para ayudar a protegerle contra la posibilidad de descarga eléctrica. **NO RETIRE BAJO NINGUNA CIRCUNSTANCIA LA CLAVIJA DE PUESTA A TIERRA.** Los enchufes de 3 patillas se deben introducir en un tomacorriente para 3 patillas apropiado. Si la instalación no posee un tomacorriente de este tipo, se debe cambiar por uno apropiado, cableado y con puesta a tierra de acuerdo al Código Eléctrico Nacional y a todas las ordenanzas y códigos locales aplicables.

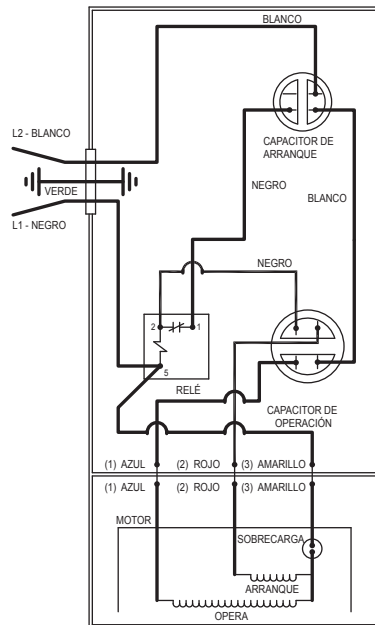


**ADVERTENCIA** Riesgo de descarga eléctrica. No quite el cable de alimentación eléctrica ni el dispositivo de alivio de tensión y no conecte un conductor directamente a la bomba.

**ADVERTENCIA** La instalación y verificación de los circuitos eléctricos y del equipo deberán llevarse a cabo por un técnico electricista calificado.

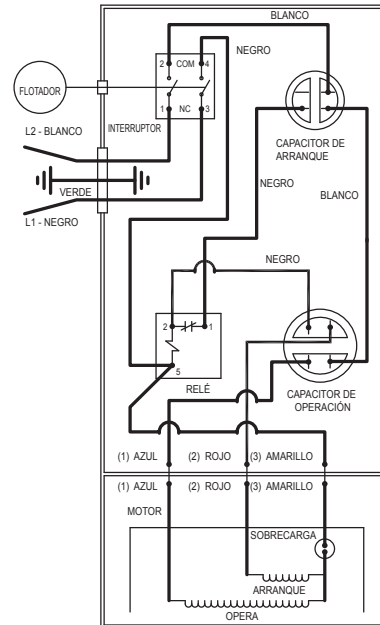
**ADVERTENCIA** A las unidades que se suministran sin enchufe (monofásico y trifásico) y a las unidades monofásicas no automáticas que poseen un enchufe de 20 amperios se les debe conectar un control de motor y un control de nivel de líquidos durante la instalación. Los niveles de voltaje, amperaje, frecuencia, puesta a tierra y potencia del dispositivo de control deben ser apropiados para la bomba a la cual se conecta.

## CABLEADO NO AUTOMÁTICO



153224

## CABLEADO AUTOMÁTICO



153223

## REPARACIONES

1. Todos los circuitos de alimentación deben estar desconectados y bloqueados antes de que se intente hacer el mantenimiento. El cortador en forma de estrella y el disco se pueden retirar y afilar lijando las caras de corte. Tanto el cortador en forma de estrella como el disco deben ser retirados de la bomba. La retirada de estas piezas puede llevarse a cabo in situ sacando la bomba del sumidero y colocándola horizontalmente para acceder a la entrada de la bomba. Si se requieren reparaciones de los sellos o de otro tipo, la bomba debe ser retirada totalmente y reparada en un taller por un técnico calificado de bombas o en un centro de servicio autorizado.
2. Limpie a fondo el cortador en forma de estrella y el conjunto de disco de acero inoxidable. Incline la bomba hacia atrás, hacia la posición vertical, para asegurarse de que juego axial haya sido retirado. Compruebe y registre la separación entre el rotor y el disco con una lámina calibradora. La separación de funcionamiento correcta es entre 0.076 mm (0.003 pulg.) y 0.203 mm (0.008 pulg.).
3. Con la bomba en posición horizontal, caliente el perno de cabeza hexagonal en el centro del rotor con un soplete de propano. El perno debe ser calentado a 177 °C (350 °F) para suavizar el sellador del bloqueo de la rosca en el perno para poder retirarlo fácilmente. Quite el perno girando hacia la izquierda. Será necesario usar un bloque de madera para evitar que el rotor gire al retirar el perno. Retire el rotor del eje y retire las arandelas separadoras ubicadas detrás del rotor.
4. Retire los tres tornillos que sujetan el disco y extraiga el disco de la bomba.
5. El disco y el cortador rotor se pueden reemplazar con nuevas piezas de servicio o se pueden afilar. El afilado se logra lijando la superficie del disco y el rotor hasta un microacabado de 32. No trate de lijar in situ. Envíe las piezas a un taller mecánico calificado para su reparación. El disco, el rotor y las arandelas son un juego completo. Mantenga las piezas juntas. Mida el disco antes y después de afilarlo con mediciones micrómetro y registre las.
6. Después de afilar, el disco y el rotor deben estar planos con un margen de 0.203 mm (0.008 pulg.). Si el disco ha sido afilado, será necesario quitar arandelas para compensar el material extraído del disco. Como punto de partida, quite las arandelas del mismo grosor que la cantidad a mecanizar del disco del cortador (paso 2 anterior). La separación de funcionamiento final debe no más de 0.203 mm (0.008 pulg.).
7. Limpie la parte inferior de la bomba en donde se encuentra el disco y vuelva a colocar los tornillos de retención del disco. Reemplace el rotor con las arandelas correctas. Instale la arandela y apriete el tornillo de cabeza hexagonal con una torsión de 8.0 a 8.5 N-m (71 a 75 pulg./libra), aplique sellador de bloqueo de roscas Loctite 262 o similar a las roscas de los pernos antes de la inserción. Revise la separación de funcionamiento con la bomba en posición vertical para retirar el juego axial. La separación debe ser entre 0.076 mm (0.003 pulg.) y 0.203 mm (0.008 pulg.) para obtener una trituración eficiente cuando se vuelva a poner la bomba en funcionamiento.
8. Revise el aceite en la carcasa del motor antes de reinstalar. El nivel debería estar a ras con el tapón de llenado cuando la bomba esté en posición vertical. Agregue aceite si es necesario. Utilice el aceite aislante suministrado por la fábrica.

Traducción de las instrucciones originales.



Trusted. Tested. Tough.®



ADRESSE POSTALE : P.O. BOX 16437 • Louisville, KY 40256-0347 USA  
 ADRESSE PHYSIQUE : 3649 Cane Run Road • Louisville, KY 40211-1961 USA  
 TÉL : +1 (502) 778-2731 • 1-800-928-PUMP

Visitez notre site internet :  
 zoellerpumps.com

Les renseignements présentés dans ce document représentent les conditions au moment de la publication. Consulter l'usine en cas de désaccord et de manque de cohérence.



# INSTRUCTIONS D'INSTALLATION

## POMPES BROYEUSES 803/805/807



Modèle	HP	Préfixe					
		BN	DH	EI	M	N	BEI
803	1/2	115 V, PB, Auto	200-230 V, Auto	200-230 V, Non auto	115 V, Auto	115 V, PB, Non auto	200-230 V, PB, Auto
805	3/4	115 V, PB, Auto	200-230 V, Auto	200-230 V, Non auto	115 V, Auto	115 V, PB, Non auto	200-230 V, PB, Auto
807	1	115 V, PB, Auto	200-230 V, Auto	200-230 V, Non auto	115 V, Auto	115 V, PB, Non auto	200-230 V, PB, Auto

PB: Interrupteur à flotteur superposé

Par exemple: M803 = 1/2 HP, 115 V, Automatique, 60 Hz

### LISTE DE VÉRIFICATIONS AVANT L'INSTALLATION - TOUTES LES INSTALLATIONS

- Inspecter tous matériaux. De temps en temps, la pompe est endommagée en cours d'expédition. Si la pompe est endommagée, contacter le distributeur avant de l'utiliser. NE PAS enlever les bouchons test de la pompe.
- Il faut lire attentivement tous les documents fournis pour se familiariser avec les détails spécifiques de l'installation et de l'utilisation. Il faut conserver ces documents pour pouvoir les consulter ultérieurement.
- Zoeller déconseille l'utilisation de pompes broyeuses pour toute partie du système septique.



#### AVERTISSEMENT

#### VOIR PLUS BAS POUR LA LISTE DES AVERTISSEMENTS

- Pour réduire les risques d'électrocution, il faut installer une prise ou un boîtier de commande correctement mis à la terre en conformité à toutes les normes des codes électriques nationaux et locaux applicables.
- Il faut vérifier que la prise est à portée du cordon d'alimentation de la pompe. NE PAS UTILISER DE RALLONGE. Les rallonges trop longues ou de trop faible capacité ne fournissent pas la tension nécessaire au moteur de la pompe, et elles peuvent être dangereuses si l'isolant est endommagé ou si l'extrémité avec le branchement tombe dans un endroit humide ou mouillé.
- Vérifier que le circuit d'alimentation de la pompe est équipé de fusibles ou de disjoncteurs de capacité appropriée. Il est recommandé d'installer un circuit indépendant de capacité suffisante, conforme aux codes électriques nationaux pour la capacité indiquée sur la plaque d'identification de la pompe.
- Vérification de la mise à la terre.** Pour des raisons de sécurité, il faut vérifier la terre de chaque prise électrique en utilisant un analyseur de circuit sur la liste d'Underwriters Laboratory qui indique si les fils de phase, de neutre et de terre de la prise sont branchés correctement. S'ils ne sont pas branchés correctement, appeler un électricien agréé qualifié.
- POUR DES RAISONS DE SÉCURITÉ, IL FAUT TOUJOURS DÉBRANCHER L'ALIMENTATION DE LA POMPE AVANT DE LA MANIPULER.** Si la pompe est branchée directement, mettre le circuit hors tension à la boîte de commande. Porter des chaussures de protection isolantes et ne pas se tenir les pieds dans l'eau.
- L'installation et la vérification de l'équipement électrique doivent être faites par un électricien qualifié.
- L'installation et l'entretien de cet appareil ne doivent pas être réalisés par des personnes (y compris des enfants) dont les capacités physiques, sensorielles ou mentales sont réduites, ou manquant d'expérience ou de connaissances, à moins qu'une personne responsable de leur sécurité les supervise ou leur donne des instructions concernant l'utilisation de l'appareil.
- Risque d'électrocution.** Ne pas enlever le cordon d'alimentation ni le distributeur de tension mécanique, ni brancher le conduit directement à la pompe. If the supply cable is damaged, it must be replaced by an authorized Zoeller Representative.
- La pompe contient de l'huile sous pression et chaude lorsqu'elle fonctionne. Attendre 2 heures et demie après l'avoir débranchée avant de commencer l'entretien.
- La pompe n'est pas conçue pour l'eau potable, car elle peut être contaminée par la présence d'huile.
- Risque d'électrocution.** L'usage de ce type de pompe dans une piscine de natation et des zones marines n'a pas été étudié.

**12. Il ne faut pas essayer de tourner avec les doigts le couteau qui se trouve au fond de l'appareil.** Utiliser une clé mâle pour vérification et la dépose du couteau.



#### MISE EN GARDE

#### VOIR PLUS BAS POUR LA LISTE DES MISES EN GARDE

- Les pompes broyeuses de Zoeller sont conçues pour broyer et pomper des eaux d'égout de résidences. La pompe a été développée pour broyer et pomper toutes les eaux d'égouts normales, y compris des quantités raisonnables de couches jetables, de serviettes hygiéniques, d'essuie-tout, de produits en caoutchouc ou plastique, de bouts de cigarettes et autres objets normalement trouvés dans des eaux d'égout.
- Vérifier que le circuit d'alimentation a une capacité suffisante pour alimenter le moteur, comme indiqué sur la pompe ou sur la plaque d'identification de l'appareil.
- L'installateur est responsable de l'installation des interrupteurs à niveau variable et il doit s'assurer que l'interrupteur à flotteur est installé fermement pour qu'il n'accroche pas à la pompe ni au puits pour permettre l'arrêt de la pompe. Il est recommandé d'utiliser du tuyau et des raccords rigides et le puits doit avoir un diamètre supérieur à 45 cm (18 po).
- Trou d'évent.** Il est nécessaire que la pompe submersible, les pompes à effluents et d'égout capables de passer des solides de différentes tailles aient leur alimentation à la base pour réduire le colmatage et la défaillance des joints. Si l'installation comprend un clapet de sécurité, il faut percer un trou d'évent d'environ 5 mm (3/16 po) dans le tuyau de refoulement au-dessous du clapet de sécurité et le couvercle pour purger l'air de l'appareil. Il faut vérifier périodiquement que le trou d'évent n'est pas colmaté. Le trou d'évent de l'application à une hauteur de refoulement dynamique élevée peut causer une turbulence trop élevée. S'il est décidé de ne pas percer de trou d'évent, il faut s'assurer que le carter et le rotor de la pompe sont couverts de liquide avant de brancher le tuyau sur le clapet anti-retour. **REMARQUE - LE TROU DOIT AUSSI ÊTRE AU-DESSOUS DU COUVERCLE DU PUITS ET IL FAUT LE NETTOYER RÉGULIÈREMENT.** Un jet d'eau sera visible de cette orifice durant les périodes de fonctionnement de la pompe.
- Il faut vérifier fréquemment qu'il n'y a pas de débris ni d'accumulation pouvant interférer avec le déplacement du flotteur de marche / arrêt. Les réparations ne doivent être faites que par un centre de réparation agréé par Zoeller Pump Company.
- La température de fonctionnement maximale d'une pompe standard ne peut pas être plus de 54 °C (130 °F).
- Il ne faut pas faire fonctionner la pompe dans une application où la hauteur de refoulement dynamique est inférieure à la hauteur de refoulement dynamique minimale donnée dans les courbes de refoulement et de capacité.
- Pour des raisons sanitaires, ne pas débrancher, arrêter ou désactiver la pompe ni utiliser le réservoir de la pompe pour remplir un évier, un bac à laver, etc.
- Les pompes doivent être installées conformément au code national d'électricité et à tout la législation et réglementation locales en vigueur. Les pompes ne doivent pas être installées dans des endroits classifiés à risque, conformément à la norme ANSI/NFPA 70 du Code national américain de l'électricité.

**REMARQUE -** Les pompes avec annotations "UL" et "US" sont vérifiées d'après la norme UL778. Les pompes certifiées CSA sont vérifiées d'après la norme C22.2 no 108.

SE RÉFÉRER À LA GARANTIE EN PAGE 10.

## GARANTIE LIMITÉE

Le fabricant garantit à l'acheteur et au propriétaire ultérieur pendant la période de garantie, tout produit neuf contre tout vice de matériel et de main-d'œuvre, en utilisation normale et quand utilisé et entretenu correctement, pendant une période de trois ans à compter de la date de fabrication initiale. Les pièces devenant défectueuses pendant la période de garantie, et que des inspections prouvent contenir des vices de fabrication ou de main-d'œuvre, seront réparées, remplacées ou rénovées au choix du Fabricant, à condition qu'en faisant cela nous ne soyons pas obligés de remplacer l'ensemble, le mécanisme complet ou l'appareil complet. Aucune provision n'est faite pour les frais d'expédition, les dégâts, la main-d'œuvre ni d'autres frais causés par la défaillance, la réparation ou le remplacement du produit.

Cette garantie ne s'applique pas et ne couvre aucun matériel ou produit qui a été démonté sans l'autorisation préalable du Fabricant, soumis à un usage abusif, des applications incorrectes, de la négligence, des modifications, des accidents ou un cas de force majeure ; qui n'a pas été installé, utilisé ou entretenu selon les instructions d'installation du Fabricant; qui a été exposé, y compris, mais non de façon limitative, à du sable, des gravillons, du ciment, de la boue, du goudron, des hydrocarbures ou des dérivés d'hydrocarbures (huile, essence, solvants, etc.) ou à d'autres produits abrasifs ou corrosifs, serviettes ou produits d'hygiène féminine etc., dans toutes les applications de pompage. La garantie mentionnée

ci-dessus remplace toutes les autres garanties expresses ou implicites et nous n'autorisons aucun représentant ou autre personne à accepter la responsabilité en notre nom pour nos produits.

Prendre contact avec le Fabricant, 3649 Cane Run Road, Louisville, KY 40211 USA, Attention: Customer Support, pour obtenir des réparations, des pièces de remplacement ou des renseignements supplémentaires concernant la garantie.

**LE FABRICANT REFUSE EXPRESSÉMENT TOUTE RESPONSABILITÉ POUR LES DÉGÂTS SPÉCIAUX, INDIRECTS OU SECONDAIRES OU POUR LES RUPTURES DE GARANTIE EXPRESSES OU IMPLICITES; ET TOUTE GARANTIE IMPLICITE D'APPLICABILITÉ À UNE UTILISATION SPÉCIFIQUE OU DE COMMERCIALITÉ EST LIMITÉE À LA DURÉE DE LA GARANTIE EXPRESSE.**

Certaines provinces ne permettent pas les limitations de la durée de la garantie implicite et il est possible que cette limitation ne s'applique pas. Certaines provinces ne permettent pas l'exclusion ou la limitation des dégâts secondaires ou indirects, et il est possible que cette limitation ou exclusion ne s'applique pas.

Cette garantie vous donne des droits spécifiques reconnus par la loi et vous pouvez également avoir d'autres droits qui varient d'une province à l'autre.

Lorsque des dégâts sont causés par une défaillance présumée de la pompe, le propriétaire doit garder la pompe en sa possession en vue d'enquête.

## CONSEILS POUR L'INSTALLATION D'UNE POMPE DE PUISARD

- IL FAUT** lire toutes les instructions d'installation fournies avec la unité.
- IL FAUT** vérifier que les appareils n'ont pas été endommagés en cours d'expédition. Contacter le distributeur si la unité a été endommagée.
- IL FAUT** nettoyer tous les débris dans le puisard. Vérifier qu'il y a une surface dure et plate à l'emplacement désiré pour la pompe. **NE PAS** installer la pompe sur du sable, du gravier ou de la terre.
- IL FAUT** vérifier que le puisard est assez large pour avoir de l'espace suffisant pour le bon fonctionnement des interrupteurs de commande de niveau.
- IL FAUT toujours débrancher l'alimentation de la pompe avant de la manipuler.**  
**IL FAUT** toujours brancher la pompe sur un circuit séparé mis à la terre.  
**IL NE FAUT JAMAIS** couper, faire une épissure ou endommager un cordon d'alimentation. (Pour faire une raccordement, il faut utiliser un boîtier de raccordement étanche.  
**IL NE FAUT PAS** utiliser le cordon d'alimentation pour transporter ou soulever la pompe.  
**IL NE FAUT PAS** utiliser de rallonge.
- IL FAUT** installer un clapet de sécurité et un raccord sur la conduite de refoulement.  
**IL NE FAUT PAS** utiliser une conduite de refoulement de diamètre inférieur à celui du refoulement de la pompe.
- IL NE FAUT PAS** utiliser la pompe pour pomper de l'essence ou tout autre liquide dangereux.
- IL FAUT** essayer la pompe immédiatement après l'installation pour être certain que le système fonctionne correctement.
- IL FAUT** étudier tous les codes locaux et nationaux applicables et vérifier que l'installation est conforme.
- IL FAUT** consulter le fabricant pour obtenir des clarifications ou des réponses aux questions.
- IL FAUT** considérer un système à deux pompes avec une alarme quand l'installation peut être surchargée ou si une défaillance de la pompe primaire causait des dégâts importants.
- IL FAUT** considérer un système de secours en courant alternatif quand une pompe de puisard ou d'échage mécanique est nécessaire pour éviter des dégâts matériels en cas d'inondation à la suite d'une panne d'alimentation secteur, de problème mécanique ou électrique ou de surcharge du système.
- IL FAUT** inspecter le système et vérifier son fonctionnement au moins tous les trois mois.

## LISTE DE VÉRIFICATIONS POUR L'ENTRETIEN



**AVERTISSEMENT**

**PRÉCAUTIONS ÉLECTRIQUES** - Avant d'effectuer l'entretien de la pompe, toujours couper l'alimentation principale et débrancher la pompe, s'assurer de porter des chaussures de protection à semelles isolantes et de ne pas avoir les pieds dans de l'eau. En cas d'inondation, veuillez contacter votre entreprise locale d'électricité ou un électricien qualifié et agréé pour déconnecter le service électrique avant de retirer une pompe.

**MISE EN GARDE**

Les pompes submersibles contiennent des huiles qui sont pressurisées et chaudes en cas de fonctionnement : **attendre 2 heures et demie après le débranchement avant d'effectuer l'entretien.**

CONDITION	CAUSES FRÉQUENTES
A. La pompe ne démarre pas ou ne fonctionne pas.	Vérifier que le fusible est en bon état, que la tension est normale, que le circuit n'est pas surchargé et que le câblage est correct, que l'interrupteur n'est pas ouvert, qu'il n'y a pas de court-circuit dans le moteur ou le bobinage. Flotteur bloqué en position basse. Endommagé ou mal réglé.
B. Le moteur surchauffe et déclenche le disjoncteur ou la sécurité thermique	Mauvaise tension, hauteur de refoulement négative (refoulement ouvert au-dessous de la normale), blocage mécanique du rotor ou du joint, moteur court-circuité.
C. La pompe se met en marche et s'arrête trop fréquemment.	Flotteur grippé sur la tige, clapet de sécurité coincé ou pas de clapet installé sur une conduite longue, clapet de sécurité ouvert, puits trop petit.
D. La pompe ne s'arrête pas.	Débris sous le flotteur, flotteur ou tige du flotteur coincé contre la paroi du puits, endommagé ou mal réglé.
E. La pompe fonctionne mais son débit est faible ou non existant.	Vérifier le carter de crépine, le tuyau de refoulement ou, si un clapet de sécurité est installé, le trou d'évent. La hauteur de refoulement est supérieure à la capacité de la pompe. Mauvaise tension. (Les pompe triphasées.) L'eau d'alimentation contient de l'air ou provoque l'entrée d'air dans la chambre de la pompe.
F. Baisse de capacité ou de hauteur de refoulement après une période d'utilisation.	Augmentation de la friction dans le tuyau de refoulement, tuyau ou clapet de sécurité colmaté. Des produits abrasifs ou des produits chimiques peuvent détériorer le rotor et le carter de pompe. Inspecter la conduite. Déposer la base et inspecter.

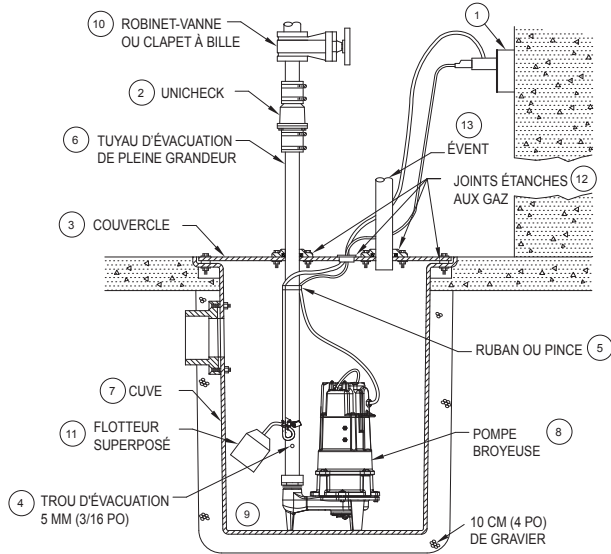
**Si les vérifications ci-dessus ne résolvent le problème, consulter l'usine. Ne pas essayer de réparer ou de démonter la pompe. Toutes les réparations doivent être faites par un centre de réparation agréé par Zoeller.**

© Copyright 2024 Zoeller® Co. Tous droits réservés.

## INSTALLATION RECOMMANDÉE POUR TOUTES APPLICATIONS

- (1) Les circuits et les protections électriques doivent être conformes aux normes des codes électriques nationaux, provinciaux et locaux.
- (2) Installer un Unicheck (raccord/clapet de sécurité combiné) de Zoeller approprié, de préférence juste au-dessus du puits pour permettre la dépose de la pompe pour le nettoyage ou les réparations. Utiliser le modèle 30-0164 avec des tuyaux de DN40 (1-1/2 po), modèle 30-0152 avec des tuyaux de DN50 (2 po) et le modèle 30-0160 avec des tuyaux de DN80 (3 po) s'il faut une grande hauteur de refoulement ou en cas d'installation sous un couvercle.
- (3) Tous les puits doivent avoir un couvercle pour empêcher les débris d'y tomber et éviter les chutes accidentelles.
- (4) Quand un Unicheck est installé, percer un trou de 5 mm (3/16 po) dans le tuyau de refoulement, de niveau avec le dessus de la pompe. **REMARQUE - LE TROU DOIT AUSSI ÊTRE AU-DESSOUS DU COUVERCLE DU PUIS ET IL FAUT LE NETTOYER RÉGULIÈREMENT.** Un jet d'eau sera visible de cette orifice durant les périodes de fonctionnement de la pompe.
- (5) Attacher fermement le cordon d'alimentation électrique sur le tuyau de refoulement en utilisant du chatterton ou des colliers.
- (6) Utiliser un tuyau de refoulement de pleines dimensions.
- (7) Le puits doit être conforme à tous les règlements applicables.
- (8) Avant la mise en service, la pompe doit être de niveau et le mécanisme du flotteur ne doit pas toucher les bords du puits.
- (9) Après l'installation, le puits doit être propre et ne doit pas contenir de débris.
- (10) L'installateur doit fournir la vanne d'arrêt et l'installer en respectant tous les codes.
- (11) Pour les pompes non automatiques, identifier les interrupteurs à flotteur indiqués dans les illustrations. Le point d'arrêt doit être au-dessus du carter du moteur et à 180° de l'admission. Le point d'arrêt ne se doit trouver jamais au-dessous du refoulement de la pompe.
- (12) Pour éviter la propagation des gaz et des odeurs, toutes les installations doivent avoir des joints étanches.
- (13) Les gaz et les odeurs sont évacués à l'atmosphère au moyen d'un tuyau d'évent.

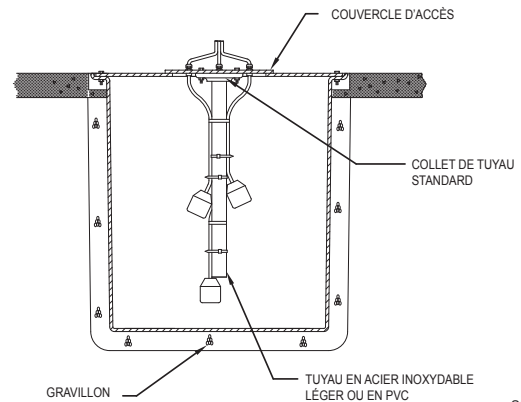
## INSTALLATION



SK3108

Toutes les installations doivent être conformes aux codes électriques et de plomberie applicables.

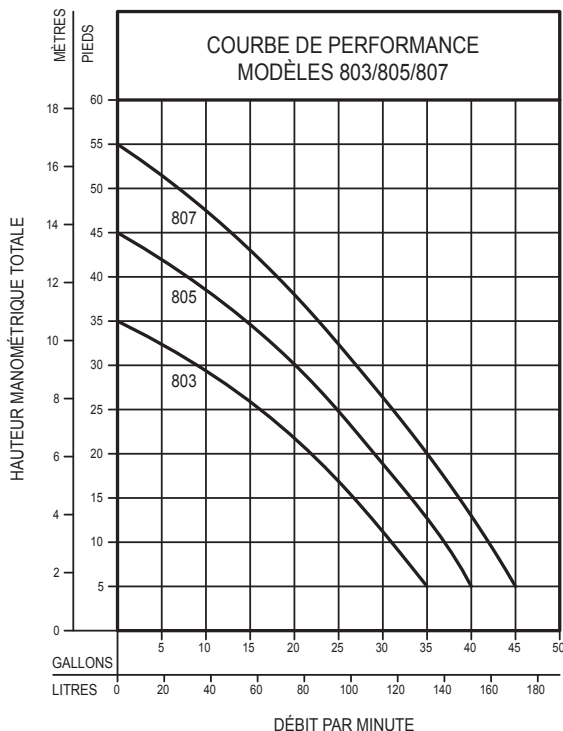
### SUPPORT TYPIQUE DE FLOTTEUR POUR COUVERCLE DE PUIS EN ACIER



SK1217

Pour certaines installations, il peut être nécessaire d'installer un support indépendant pour les interrupteurs de commande de niveau pour éviter des accrochages possibles sur la pompe, la tuyauterie, les vannes, etc. Il est possible de fabriquer les supports de flotteur en utilisant des tuyaux et des raccords standard pour faciliter la dépose en cas de réparation. Les supports de flottes sont disponible chez Zoeller tel que décrit au feuillet FM0526 ou peuvent être fabriqué avec de la tuyauterie et des raccords standard.

## PERFORMANCE



### HAUTEUR MANOMÉTRIQUE TOTALE DÉBIT PAR MINUTE EAUX USÉES

MODÈLE		803		805		807	
Pieds	Mètres	Gallons	Litres	Gallons	Litres	Gallons	Litres
5	1,5	35	132	40	151	45	170
10	3,0	31	117	37	140	42	159
20	6,1	22	83	29	110	35	132
30	9,1	9	34	20	76	27	102
40	12,2	--	--	8	30	18	68
50	15,2	--	--	--	--	7	26
Robinet d'arrêt :		10,7 m (35 pi)		13,7 m (46 pi)		16,8 m (55 pi)	

153604

# INSTRUCTIONS DE BRANCHEMENT MONOPHASÉ

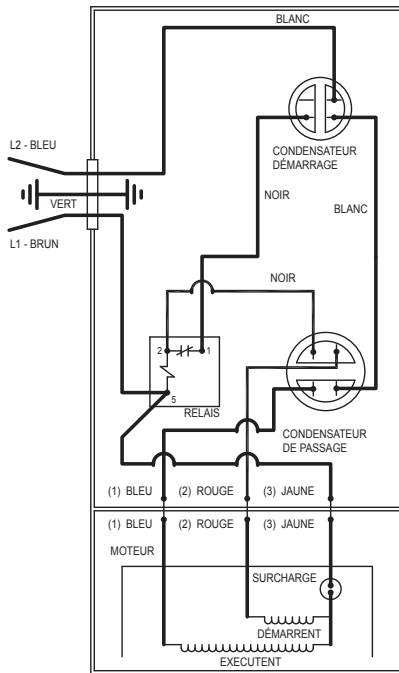


**⚠ AVERTISSEMENT** **POUR DES RAISONS DE SÉCURITÉ, IL FAUT TOUJOURS DÉBRANCHER L'ALIMENTATION ÉLECTRIQUE DE LA POMPE AVANT L'INTERVENTION.** Les pompes monophasées sont fournies avec une fiche à trois broches pour aider à protéger contre les risques d'électrocution. **IL NE FAUT JAMAIS ENLEVER LA BROCHE DE TERRE.** La fiche à trois broches **doit** être branchée dans une prise à trois alvéoles correspondantes. Si le circuit d'alimentation n'a pas une telle prise, il faut installer une prise du type approprié, branchée et mise à la terre selon le code national de l'électricité et tous les codes et règlements locaux appropriés.



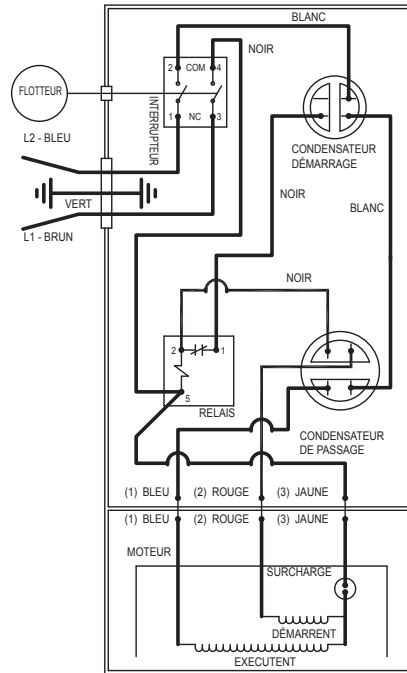
**⚠ AVERTISSEMENT** Risque d'électrocution. Il ne faut pas enlever le cordon d'alimentation et le serre-câble ni brancher directement la pompe.  
**⚠ AVERTISSEMENT** L'installation et la vérification des circuits électriques et de la quincaillerie doivent être faites par un électricien qualifié.  
**⚠ AVERTISSEMENT** Les unités non équipées d'une fiche (monophasée et triphasée) et les unités non automatiques monophasées à fiche de 20 ampères doivent être dotées d'une commande de moteur et d'un régulateur de niveau de liquide lors de l'installation. La tension, l'intensité, la fréquence, la mise à la terre et la puissance du dispositif de commande doivent s'accorder à la pompe sur lequel il est branché.

## BRANCHEMENT NON AUTOMATIQUE



153224

## BRANCHEMENT AUTOMATIQUE



153223

## RÉPARATION

- Débrancher et verrouiller tous les circuits d'alimentation avant toute activité d'entretien. Le couteau en étoile et le disque peuvent être démontés et affûtés en meulant les surfaces coupantes. Le couteau en étoile et le disque doivent être démontés de la pompe. Il est possible de démonter des pièces sur place en retirant la pompe du puisard et en la positionnant à la verticale pour accéder à l'entrée de la pompe. Si des joints ou d'autres réparations sont nécessaires, la pompe doit être entièrement retirée et l'entretien doit être effectué dans un atelier par un technicien qualifié ou un centre d'entretien autorisé.
- Nettoyer soigneusement le rotor et le disque. Incliner la pompe à la verticale pour s'assurer que le jeu axial a été retiré. Vérifier et noter le dégagement entre le rotor et le disque à l'aide d'une jauge d'épaisseur. Le jeu de fonctionnement approprié est entre 0.076 mm (0.003 po) et 0.203 mm (0.008 po).
- Une fois la pompe dans la position horizontale, chauffer le boulon à tête hexagonale au centre du rotor avec un chalumeau au propane. Le boulon doit être chauffé à 177 °C (350 °F) pour ramollir l'enduit frein pour filets sur le boulon pour en faciliter son démontage. Retirer le boulon en tournant dans le sens inverse des aiguilles d'une montre. Il faudra utiliser un bloc en bois pour empêcher le couteau en étoile de tourner pendant le démontage du boulon. Tirer sur le rotor à partir de l'arbre et retirer les entretoises situées derrière le couteau en étoile.
- Retirer les trois vis de blocage qui retiennent le disque et retirer le disque de la pompe.
- Le disque et le rotor peuvent être remplacés par des pièces neuves ou refaits par meulage. Le meulage est fait en polissant la surface du disque et du couteau en étoile à une micro-finition 32. Ne pas essayer de meuler sur place. Envoyer les pièces à un atelier qualifié pour réparation. Le disque, le rotor et les entretoises sont un ensemble. Garder les pièces ensemble. Mesurer le disque avant et après le meulage de la surface avec un micromètre et noter les mesures.
- Après le meulage des surfaces, le disque et le rotor doivent être plats à 0.203 mm (0.008 po) près. Si le disque a été meulé, il faudra retirer les entretoises pour compenser la matière retirée du disque. Pour commencer, meuler les entretoises de la même épaisseur que la quantité meulée du disque (étape 2 ci-dessus). Le jeu de fonctionnement final doit être 0.076 mm (0.003 po) et 0.203 mm (0.008 po).
- Nettoyer le fond de la pompe où se situe le disque et remplacer le disque et les vis de maintien. Remplacer le rotor avec les entretoises appropriées. Serrer avec un couple de 30 po/lb. Appliquer de l'enduit frein pour filets Loctite 262 ou équivalent sur les filets des boulons avant insertion. Vérifier le jeu de fonctionnement avec la pompe en position verticale pour retirer le jeu axial. Le jeu de fonctionnement doit être entre 0.076 mm (0.003 po) et 0.203 mm (0.008 po) pour obtenir un broyage approprié une fois la pompe opérationnelle.
- Vérifier l'huile dans le boîtier du moteur avant de réinstaller le système. Le niveau doit atteindre le bouchon de remplissage lorsque la pompe est dans la position verticale. Ajouter de l'huile si nécessaire. Utiliser de l'huile isolante fournie par l'usine.

Traduction des instructions d'origine.