

Installation & Servicing Instructions

High efficiency condensing gas boiler E75CN/E110CN E75CP/E110CP



Pictured: E75CN, E110CN
E75CP, E110CP

CAUTION!

Read this manual thoroughly before installing, servicing, putting into operation or using this boiler and vent system.

WARNING!

Improper installation, adjustment, alteration, service or maintenance can cause property damage, personal injury (exposure of hazardous materials)* or loss of life. Refer to the user's information manual provided with this boiler. Installation and service must be performed by a licensed professional, service agency or the gas supplier (who must read and follow the supplied instructions before installing, servicing, or removing this boiler).

CAUTION!

The user manual is part of the documentation that is delivered to the installation's operator. Go through the information in this manual with the owner/operator and make sure that they are familiar with all necessary operating instructions.

NOTICE!

Installation and service must be performed by a licensed professional, service technician or the gas supplier.



WARNING!

If you do not follow these instructions exactly, a fire or explosion may result causing property damage, personal injury or loss of life.

- Do not store or use gasoline or other flammable vapors and liquids in the vicinity of this or any other appliance.
- **WHAT TO DO IF YOU SMELL GAS**
 - Do NOT try to light any appliance.
 - Do NOT touch any electrical switch.
 - Do NOT use any phone in your building.
 - Immediately call your gas supplier from a neighbor's phone. Follow the gas supplier's instructions.
 - If you cannot reach your gas supplier, call the fire department.

Rinnai®

EXPERIENCE OUR INNOVATION™

Address: 103 International Drive, Peachtree City, GA, 30269
Toll-free: 1-800-621-9419 • Fax: 678-829-1666 • www.rinnai.us



These instructions to be retained by user.

Français: voir page 101

Contents of instructions

These installation instructions contain important information for the safe installation, start-up and maintenance of boilers with capacities 75,000 through 110,000 BTU/hr.

These installation instructions are intended for licensed professionals, who have the necessary knowledge and are approved for working on heating and gas systems.

Subject to technical changes

Changes may be made without notice to the illustrations, process steps and technical data as a result of our policy of continuous improvement.

Updating of documentation

Please contact us if you have any suggestions for improvements or corrections.

Find our contact details on the back of this manual.

Content

1	Safety and general instructions.....	4	6.7.9	Room Air System (indoor combustion air)	43
1.1	Designated use	4	7	Electrical connections	46
1.2	Hazard definitions.....	4	8	Boiler controls	50
1.3	Symbol definitions	4	8.1	Explanation of the function buttons	51
1.4	The following instructions must be followed	5	9	Starting up: Filling and de-aerating the boiler and installation	52
1.5	Follow these instructions for the space heating water.....	6	9.1	Requirements of the water system.....	52
1.6	Tools, materials and additional equipment	6	9.2	Filling the heating system.....	53
1.7	Relevant Installation, Service and User manuals.....	7	9.3	Hot water supply.....	54
1.8	Disposal	7	10	Adjustments	56
2	Regulations and guidelines.....	7	10.1	Altering adjustments.....	56
3	Description of the boiler	8	10.2	Activating factory settings (green button function)	59
4	Packaging and transportation	9	11	Isolating the boiler.....	59
4.1	Scope of delivery.....	9	12	Commissioning	60
4.2	Transportation	9	12.1	Testing for gas leaks.....	61
5	Installation	10	12.2	Testing the Ignition Safety shut off device	61
5.1	Requirements for the installation room.....	10	12.3	Checking the O ₂	62
5.2	Fitting the boiler.....	11	12.4	Measuring the ionization current	63
5.3	Dimensions.....	12	12.5	Installing the casing.....	64
5.3.1	Plumbing Kits.....	15	13	Maintenance	64
5.3.2	Clearances from boiler	16	13.1	Periodic examination of venting systems and boiler	64
5.4	Technical specifications.....	17	13.2	Inspection	64
6	Connecting the boiler	18	13.2.1	Visual inspection for general signs of corrosion	65
6.1	Central heating system.....	18	13.2.2	Measuring the ionization current	65
6.1.1	Plumbing Kit installation	20	13.2.3	Measuring the inlet gas pressure	65
6.1.2	Side mounting kit for the Low Loss header	24	13.2.4	Testing for gas leaks.....	65
6.1.3	Safety valve.....	24	13.2.5	Carrying out a pressure test of the heating system.....	65
6.1.4	Low water cut off	24	13.2.6	Checking venting systems.....	65
6.2	Boiler expansion tank.....	25	13.3	Maintenance activities	66
6.3	Underfloor heating system (plastic pipes).....	25	13.3.1	Reset service interval counter	69
6.4	Gas supply connection	25	13.4	Limited warranty	69
6.4.1	Gas connection with natural gas	26	14	Parts of the boiler	70
6.4.2	Gas connection with propane gas	27	15	Blocks and Errors	72
6.5	Hot water supply.....	28	15.1	Error indication (short reference).....	72
6.5.1	Domestic Water quality.....	28	15.2	Blocks	73
6.5.2	Domestic water treatment Accessory	28	15.3	Errors	74
6.5.3	DHW Expansion Tank.....	29	15.4	Other Errors.....	78
6.5.4	Installing a Thermostatic Mixing Valve	29	16	Spare parts / Pièces de rechange.....	80
6.5.5	Installing a valve kit	30	17	Parts list vent system	96
6.5.6	Pressure relief Valve.....	30	18	Common venting guidelines.....	98
6.5.6	Programming domestic hot water preheat	30	Appendix A - Outdoor Reset Sensor Data	99	
6.6	Condensate drain pipe	31	Appendix B - Resistance table NTC sensors	100	
6.7	Vent system and air supply system	32			
6.7.1	Intake / Exhaust Guidelines.....	32			
6.7.2a	Examples vent and air supply systems (concentric)	33			
6.7.2b	Examples vent and air supply systems (parallel)	34			
6.7.3	Installation of the vent system	35			
6.7.3.1	Boiler conversion from concentric to parallel	36			
6.7.3.2	Installing air filter	36			
6.7.4	Recommended vent/air intake terminal position	37			
6.7.5	Direct vent closet and alcove installation	39			
6.7.6	Dimensioning of the exhaust and air intake duct	40			
6.7.7	Combustion air and vent piping lengths.	41			
6.7.8	Calculation of compensation factor.....	42			

1 Safety and general instructions

Please observe these instructions in the interest of your own safety.

1.1 Designated use

The boiler is designed for heating water for a central heating system and generating domestic hot water. The boiler is delivered with a burner controller (MCBA) pre-installed. The boiler can be fitted with a modulating outdoor reset sensor ARV12 (included with the boiler) or an On/Off thermostat or relay panel end switch (accessories).

1.2 Hazard definitions

The following defined terms are used throughout the documentation to bring attention to the presence of hazards of various risk levels. Notices give important information concerning the operation of the product.



DANGER

DANGER:

Indicates the presence of hazards that will cause severe personal injury, death or substantial property damage.



WARNING

WARNING:

Indicates the presence of hazards that can cause severe personal injury, death or substantial property damage.



CAUTION

CAUTION:

Indicates presence of hazards that will or can cause minor personal injury or property damage.



CAUTION

CAUTION:

Risk of electric shock. Indicates presence of hazards due to electric shock.



NOTICE

NOTICE:

Indicates special instructions on installation, operation or maintenance that are important but not related to personal injury or property damage.

1.3 Symbol definitions

The following (safety) symbols may be encountered in these installation instructions and on the unit:



This symbol indicates that the unit must be stored away from freezing conditions.



This symbol indicates that the packaging and/or contents can be damaged as a result of insufficient care taken during transport.



This symbol indicates that, while still in its packaging, the unit must be protected from weather conditions during transport and storage.

1.4 The following instructions must be followed

- The boiler must only be used for its designated purpose, as described in the Installation Instructions.
- Each unit is fitted with a data plate. Consult the details on this plate to verify whether the boiler is compliant with its intended location, e.g.: gas type, power source and venting classification.
- Only use the boiler with the accessories and spare parts listed.
- Other combinations, accessories and consumables may only be used if they are specifically designed for the intended application and do not affect the system performance and the safety requirements.
- Maintenance and repairs must be performed by licensed professionals.
- Installation of a condensing gas boiler must be reported to the relevant gas utility company and have it approved.
- You are only allowed to operate the condensing gas boiler with the vent system that has been specifically designed and approved for this type of boiler.
- Please note that local permission for the vent system and the condensate water connection to the public sewer system may be required.

You must also respect:

- The local building codes stipulating the installation rules.
- The local building codes concerning the air intake and outlet systems and the chimney connection.
- The regulations for the power supply connection.
- The technical rules established by the gas utility company concerning the connection of the gas connection to the local gas mains.
- The instructions and standards concerning the safety equipment for the water/ space heating system.
- The Installation Instructions for building heating systems.
- The boiler must be located in an area where leakage of the boiler or connections will not result in damage to the area adjacent to the boiler or to lower floors of the structure. When such locations cannot be avoided, it is recommended that a suitable drain pan be installed under the boiler.
- The boiler must be installed in such way that the all components are protected from water (dripping, spraying, rain etc.) during boiler operation and service.
- The boiler must not be installed on or against carpeting.
- Do not restrict or seal any air intake or outlet openings.
- If you find any defects, you must inform the owner of the system of the defect and the associated hazard in writing.



WARNING

In failure to properly commission the boiler as described in section 13 may result unreliable burner operation, reduced component life, and unsafe boiler operation.



DANGER

DANGER. Gas is flammable and may cause an explosion. Beware if you smell gas: there may be an explosion hazard!

If the information in these instructions is not followed exactly, a fire or explosion may result causing property damage, personal injury or death.

- Do not store or use gasoline or other flammable vapors and liquids in the vicinity of this or any other appliance.



WARNING

WHAT TO DO IF YOU SMELL GAS

- Do NOT try to light any appliance.
- Do NOT touch any electrical switch.
- Do NOT use any phone in your building.
- Immediately call your gas supplier from a neighbor's phone. Follow the gas supplier's instructions.
- If you cannot reach your gas supplier, call the fire department.



WARNING

Should overheating occur or the gas supply fail to shut off, do not turn off or disconnect the electrical supply to the pump. Instead, shut off the gas supply at a location external to the appliance.



NOTICE

Chemicals that are corrosive in nature should not be stored or used near the boiler or vent termination.

1.5 Follow these instructions for the space heating water

Unsuitable heating system water can cause the formation of scale or sludge, which affects system efficiency. It can also cause corrosion and reduce life of the heat exchanger.

- You must follow Rinnai guidelines for boiler water quality.
- Thoroughly flush the system prior to filling.
- Follow the Rinnai cleaning instructions.
- Never use water that has been treated by a reverse osmosis, D.I., or distilled water to soften the water to fill the heating system.
- Do not use inhibitors or other additives unless approved by Rinnai for that purpose.
- When freeze protection of the heating system is desired, only use Rinnai-approved antifreezes. The allowed maximum concentration is 50%.
- When using oxygen-permeable pipes, e. g. for under floor heating systems, you must separate the system from the boiler using plate heat exchangers.
- Valve off boiler while flushing system, do not introduce any system cleaner into the boiler loop. Flush system thoroughly to remove all system cleaner before filling boiler.

NOTICE	Approved antifreeze: (max. concentration 50%)	<ul style="list-style-type: none"> • Rhomar RhoGard Mutli-Metal (AL safe) • Noble Noburst AL 	<ul style="list-style-type: none"> • Sentinel X500 • Fernox Alphi 11
	Approved system cleaner:	<ul style="list-style-type: none"> • Noble Noburst Hydronic System Cleaner • Rhomar Hydro-Solv 9100 	<ul style="list-style-type: none"> • Fernox F3 Cleaner • Sentinel X400
	Approved inhibitors:	<ul style="list-style-type: none"> • Rhomar Pro-tek 922 • Noble Noburst AL inhibitor 	<ul style="list-style-type: none"> • Sentinel X100

The system cleaners from NoBurst, Rhomar, and Fernox are not to be used in the boiler. The boiler must be closed off (valved off) from the rest of the system or not connected while the cleaners are in the system. The system should then be drained and then thoroughly flushed with clean water to remove all the system cleaner.

See the Rinnai Boiler Applications Manual or Chapter 6 of this manual for additional information.



NOTICE

If problems occur when using sanitary water with a chlorine content higher than 150 mg/l, no recourse can be made to the terms of the limited warranty.

1.6 Tools, materials and additional equipment

For the installation and maintenance of the boiler you will need:

- Standard tools for space heating, gas and water fitting
- Digital manometer, capable of reading both positive and negative pressure
- Combustion analyzer (intended for use with condensing boilers)
- Digital multimeter
- pH digital meter
- Metric Allen wrenches
- Metric socket wrenches

In addition, a handtruck with a fastening belt is useful.

For maintenance of the boiler you will need, apart from standard tools for space heating, gas and water fittings the following items:

- Rinnai toolkit Q and E-Series

1.7 Relevant Installation, Service and User manuals

- Approved vent system
- Rinnai Boiler Applications Manual
- User manual

1.8 Disposal

- Dispose of the boiler packaging in an environmentally sound manner.
- Dispose of components of the heating system (e.g. boiler or control device), that must be replaced in an environmentally responsible manner.

2 Regulations and guidelines

The installation must comply to the requirements of the authority having jurisdiction or, in the absence of such requirements, to the latest edition of the National Fuel Gas Code, ANSI Z223.1/NFPA 54. In Canada, installation must be in accordance with the requirements of CAN/CSA B149.1, Natural Gas and Propane Installation Code.

Where required by the authority having jurisdiction, the installation must comply to the Standard for Controls and Safety Devices for Automatically Fired Boilers, ANSI/ASME CSD-1.

Install CO detectors per local regulations. Boiler requires an inspection every 2 years or 4000 hours and maintenance every 4 years or 8000 hours. See maintenance section chapter 13.

Operating Limits of the boiler:

Max. boiler temperature: 176 °F (80.0 °C)

Max. operating pressure: 45 psi (3 bar)

Max. Allowable Working Temperature ASME: 200 °F (93 °C)

Max. Allowable Working Pressure ASME: 45 psi (3 bar)

The hot water distribution system must comply with all applicable codes and regulations. When replacing an existing boiler, it is important to check the condition of the entire hot water distribution system to ensure safe operation.

3 Description of the boiler

Room sealed boiler

The boiler retrieves its combustion air from outside then discharges the flue gasses to the outside.

Condensing

Retrieves heat as much as possible from the flue gasses. Water condensates on the heat exchanger.

Modulating

Stepless higher or lower burning according to the heat demand.

The Rinnai E boiler is a room sealed, condensing and modulating central heating boiler, with an integrated DHW facility.

The boiler is provided with a compact stainless steel heat exchanger with smooth tubes. This design is a well engineered principle using durable materials. The boiler burns gas for supplying heat. The heat is transferred in the heat exchanger to the water in the central heating system. By cooling down the exhaust gases condensate is formed. This results in high efficiency. The condensate, which has no effect on the heat exchanger and the function of the boiler, is drained through a condensate collector trap.

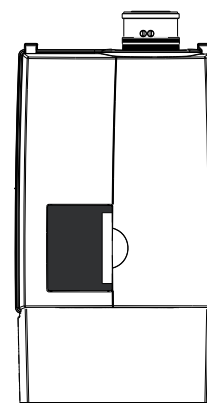
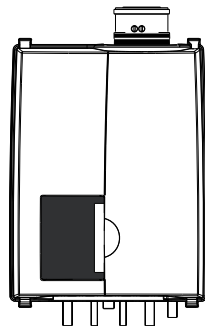
The boiler is provided with an intelligent control system (CMS Control Management System). The boiler anticipates the heat demand of the central heating system or the domestic hot water facility system.

When an outdoor sensor is connected to the boiler it will operate weather dependantly using outdoor reset. This means that the boiler control measures the outside temperature and supply temperature. With this data the boiler calculates the optimal supply temperature for the installation.

Explanation of the appliance type: Rinnai E110CN

E = Type _____
 110 = Nominal load in (x1000) BTU _____
 C = C = Combi _____
 N = Natural Gas (P = Propane Gas) _____

Different boiler types:



Combi boiler with integrated DHW facility

E75CN
E75CP

E110CN
E110CP

4 Packaging and transportation

4.1 Scope of delivery

The boiler is supplied ready for use.

- Please check if the packaging is intact.
- Check if all the items listed are included in the delivery.

The supply kit is contents:

Description	Amount	
	E75C N	E110C N
	E75C P	E110C P
Boiler with:		
Outdoor reset sensor ARV12	1	1
Compression ring Ø22 brass	2	2
Compression ring Ø15 brass	4	4
Cover air supply Ø120/Ø80	1	1
Gasket vent system ø80	1	1
Power cable pull safety E-Series	1	1
Screw 4,8X16mm	4	4
Nut W1.1/8x1/14 22 Compression fitting	2	2
Screw 6X60mm	3	3
Lip-ring flue pipe ø80	1	1
Feed through + plug flue gas	1	1
Cap de-aerator	1	1
Flow restriction MR01 FG 7,6L white	1	
Flow restriction MR01 FG 17,5L green		1
Adapter fitting 15mm x 3/4"NPT ext.	2	2
Nut 15mm compression fitting	2	2
Flue adapter Ø80/Ø3" pps UL appr.	2	2
Wall mounting suspension bracket	1	1
Plumbing kit E-Series	1	1
3/4" Gas valve	1	1
Line voltage input connector 3 pole grey	1	1
Template	1	1
Installation & Service Instructions	1	1
User information manual	1	1
Warranty document	1	1
ICSL book	1	1

4.2 Transportation



CAUTION

The boiler may be damaged when not secured properly.

- Only transport the boiler using appropriate transportation equipment, such as a handtruck with a fastening belt or special equipment for maneuvering steps.
 - When shipping the boiler must be secured on the transportation equipment to prevent it from falling off.
 - Protect all parts against impacts if they are to be transported.
 - Follow the transportation markings on the packaging.
- Packaged boilers must always be lifted and carried by two people, or you must use a handtruck or special equipment for transport.

5 Installation

5.1 Requirements for the installation room



DANGER

- The room where the boiler will be installed must always be free from freezing conditions.
- Do not store or use gasoline or other flammable vapors and liquids in the vicinity of this or any other appliance.
- Never use or store any chlorinated detergents or halogenated hydrocarbons (e.g. in spraycans, solvents and detergents, paints, adhesives) in proximity of the boiler.
- The boiler must be installed in such a way that it is protected from water (dripping, spraying, rain, etc.) during boiler operation and service (circulator replacement, condensate trap, control replacement, etc.)
- This boiler is for intended for indoor installations only.

Products to avoid present in boiler room and/or around combustion air intake

Spray cans containing chloro-/fluorcarbons
Ammonium and/or ammonium solutions
Permanent wave solutions (hair product)
Chlorinated waxes and/or cleaners
Swimming pool chemicals based on chlorine
Calcium chloride used for thawing
Sodium chloride used for water softening
Refrigerant leaks
Paint or varnish removers
Hydrochloric acid/muriatic acid
Cements and glues
Antistatic fabric softeners used in clothes dryers
Chlorine-type bleaches, detergents, and cleaning solvents found in household laundry rooms
Adhesives used to fasten building products and other similar products

Areas likely to have contaminants

Dry cleaning/laundry areas and establishments
Swimming pools
Metal fabrication plants
Beauty shops
Refrigeration repair shops
Photo processing plants
Auto body shops
Plastic manufacturing plants
Furniture refinishing areas and establishments
New building construction
Remodeling areas
Garages with workshops

5.2 Fitting the boiler



NOTICE

- Remove the packaging materials.
- **Lay the boiler on its back during unpacking. Remove the casing from the boiler. This part can be left apart during installation. It must be placed on the boiler and fixed with the screw behind the door and in the 4 quick releases before the boiler is started up.**



NOTICE

Turn the boiler to its side and remove the wall bracket from the back of the boiler by removing the 2 screws.

The boiler can be mounted practically to any wall with the suspension bracket and the enclosed mounting equipment.

- The wall must be flat and of sufficient strength in order to be able to securely hold and support the boiler weight with its water content.
- Take note of the necessary space around the boiler for installation of venting system, pipework and servicing. See drawing on pages 12 to 15.

The location of the boiler can be determined by using the template supplied with the boiler documentation. Remember to account for the spacing of the plumbing kit.

- Drill the necessary holes using the template
- Install the mounting bracket to the wall using the supplied mounting materials



CAUTION

Lifting and carrying precautions:

To avoid personal injury please follow these recommendations:

- **Always lift the boiler with 2 people or use special equipment.**
- **When lifting the boiler, bend the knees, and keep the back straight and feet apart.**
- **Do not lift and twist at the same time.**
- **Lift and carry the boiler close to the body.**
- **Wear protective clothing and gloves to protect from any sharp edges.**

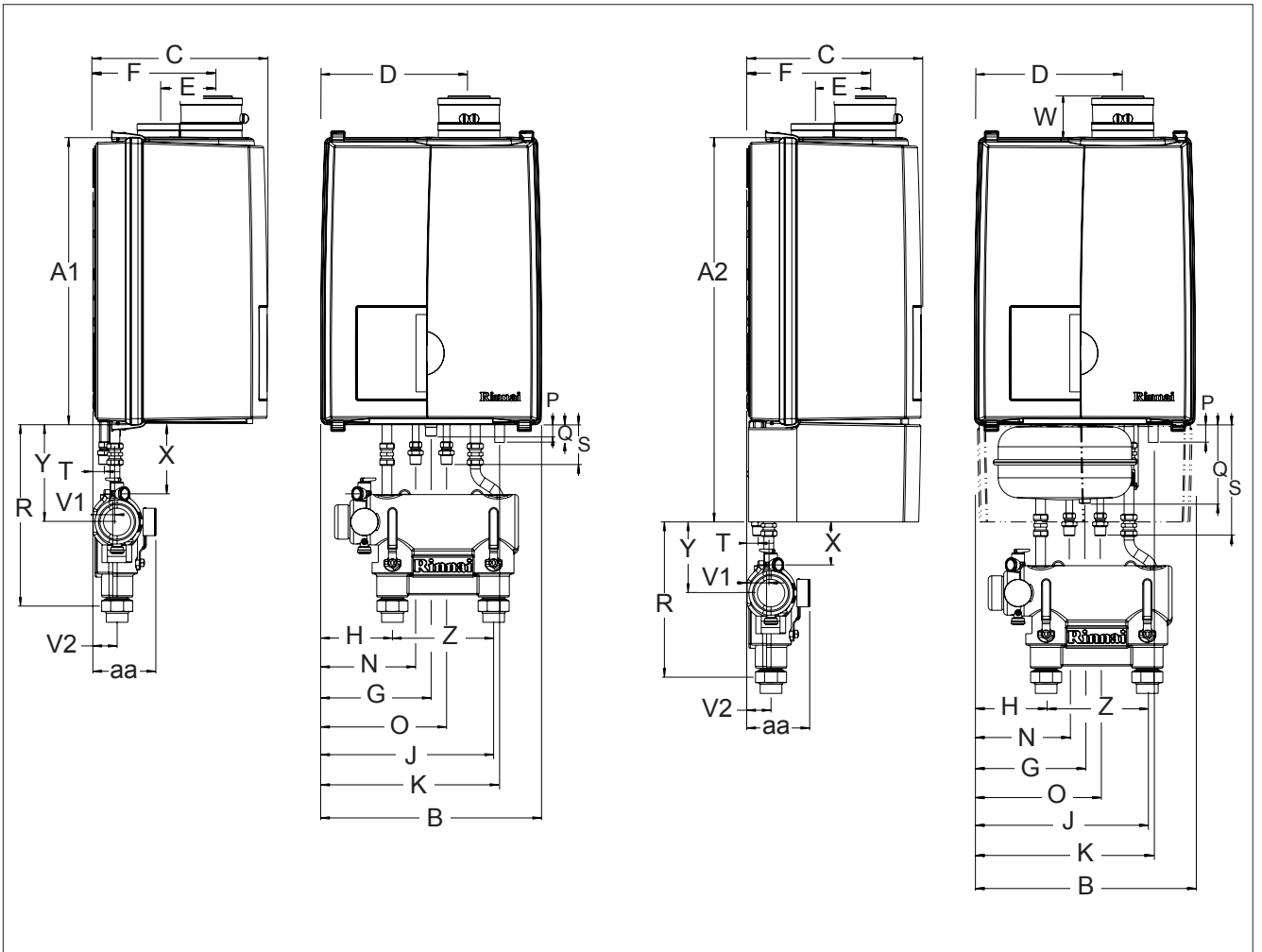


WARNING

Lift the boiler only by the boiler's rear wall. Do not lift using the pipes on the bottom of the boiler or the vent connections on the top of the boiler.

- Dispose the packaging materials.

5.3 Dimensions



dimensions

figure 1

Dimensions

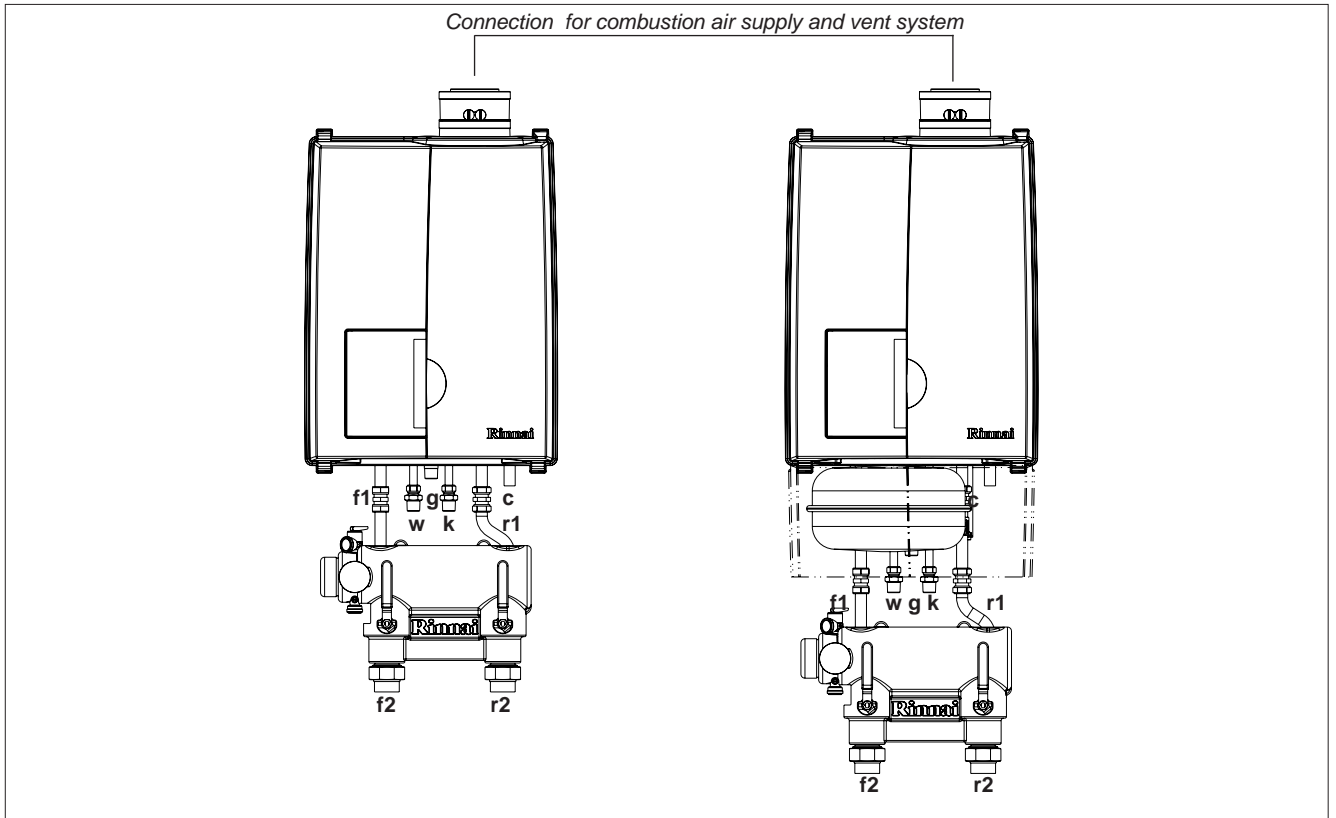
	Boiler type	Combi	
		E75CN E75CP	E110CN E110CP
		inches / mm	inches / mm
A1	Height	25.6" / 650	25.6" / 650
A2	Height with expansion tank		34.3" / 870
B	Width	19.7" / 500	19.7" / 500
C	Depth	15.6" / 395	15.6" / 395
D	Left side / vent	13.2" / 335	13.2" / 335
E	Center to center / vent and air supply	4.7" / 120	4.7" / 120
F	Back / vent	10.6" / 270	10.6" / 270
G	Left side / gas pipe	9.8" / 250	9.8" / 250
H	Left side / supply pipe	5.9" / 150	5.9" / 150
J	Left side / return pipe	13.8" / 350	13.8" / 350
K	Left side / condensate pipe	15.9" / 405	15.9" / 405
N	Left side / cold water pipe	11.2" / 285	11.2" / 285
O	Left side / hot water pipe	8.5" / 215	8.5" / 215
P	Pipe length of g*	0.7" / 19	8.5" / 215
Q	Pipe length of c*	1.6" / 40	1.6" / 40
R	Pipe length of f and r*	16" / 410	13.8" / 351
S	Pipe length of k and w*	2" / 50	6.3" / 160
T	Back / Center of pipe c, k and w*	1" / 26	1" / 26
V1	Back / Center of pipe f, g and r*	2" / 50	2" / 50
V2	Back / Center of pipe f and r*	2.2" / 55	2.2" / 55
W	Pipe length vent co-axial	3.7" / 95	3.7" / 95
	Pipe length vent parallel	7" / 177	7" / 177
X	Bottom side boiler to center safety valve	6" / 156	3.8" / 97
Y	Bottom side boiler to center header	8.7" / 221	6.4" / 162
Z	Center to center of f and r*	9" / 229	9" / 229
aa	Depth plumbing kit	5.6" / 143	5.6" / 143

*) See figure 2

dimensions

table 1

Dimensions



boiler connections / mounting points

figure 2

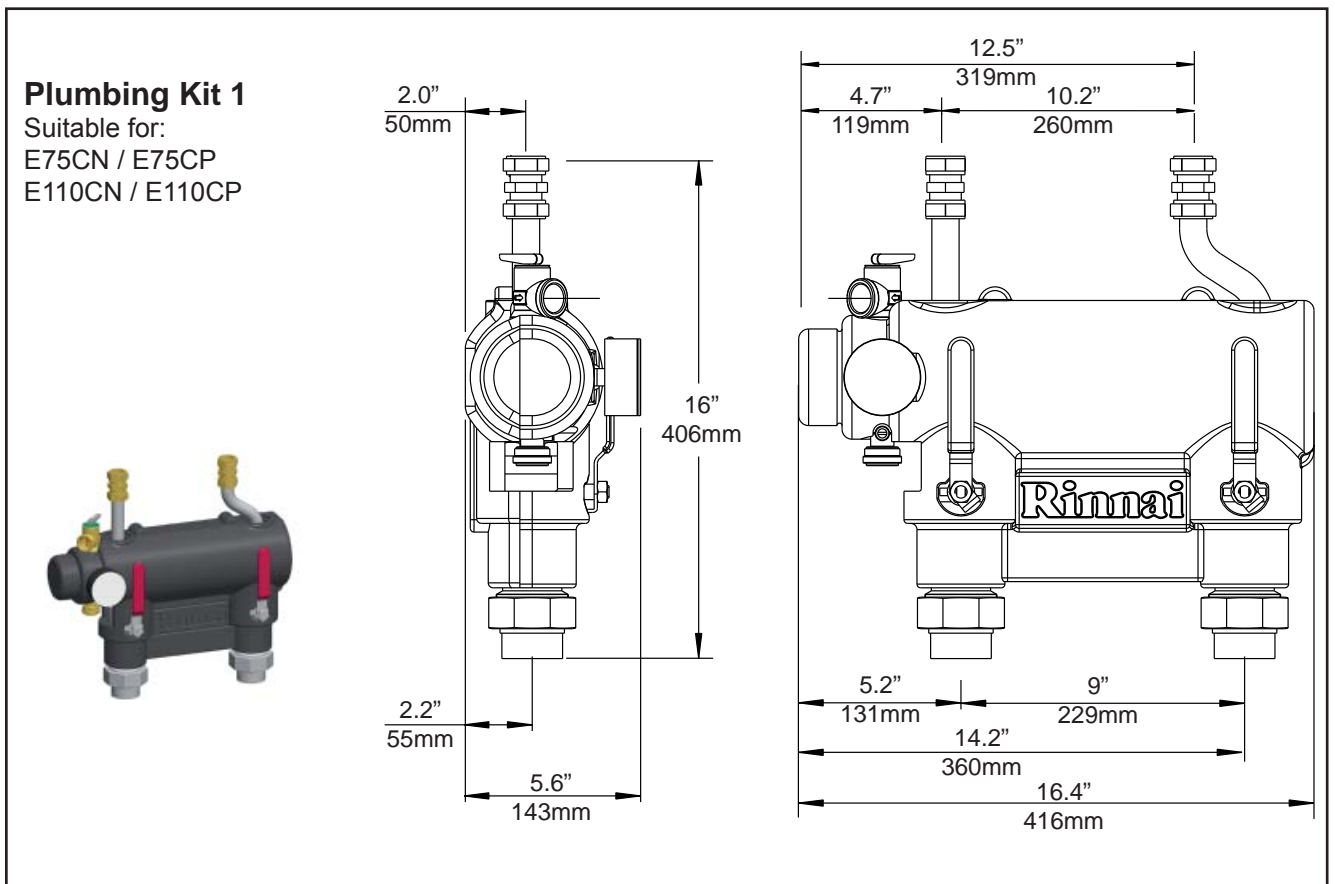
	Boiler type	Combi	
		E75CN E75CP	E110CN E110CP
Vent system / Combustion air supply		80/125mm	80/125mm
Gas pipe	g	3/4"M-NPT	3/4"M-NPT
Supply pipe	boiler side - f1	22mm	22mm
	system side - f2	1 1/4"M-NPT	1 1/4"M-NPT
Return pipe	boiler side - r1	22mm	22mm
	system side - r2	1 1/4"M-NPT	1 1/4"M-NPT
Condensate pipe	c	0.87" / 22mm	0.87" / 22mm
Cold water pipe	k	0.59" x 3/4"M-NPT /	G1/2"x
		15mm	3/4"M-NPT
Hot water pipe	w	0.59" x 3/4"M-NPT /	G1/2"x
		15mm	3/4"M-NPT

connection diameters

table 2

5.3.1 Plumbing Kits

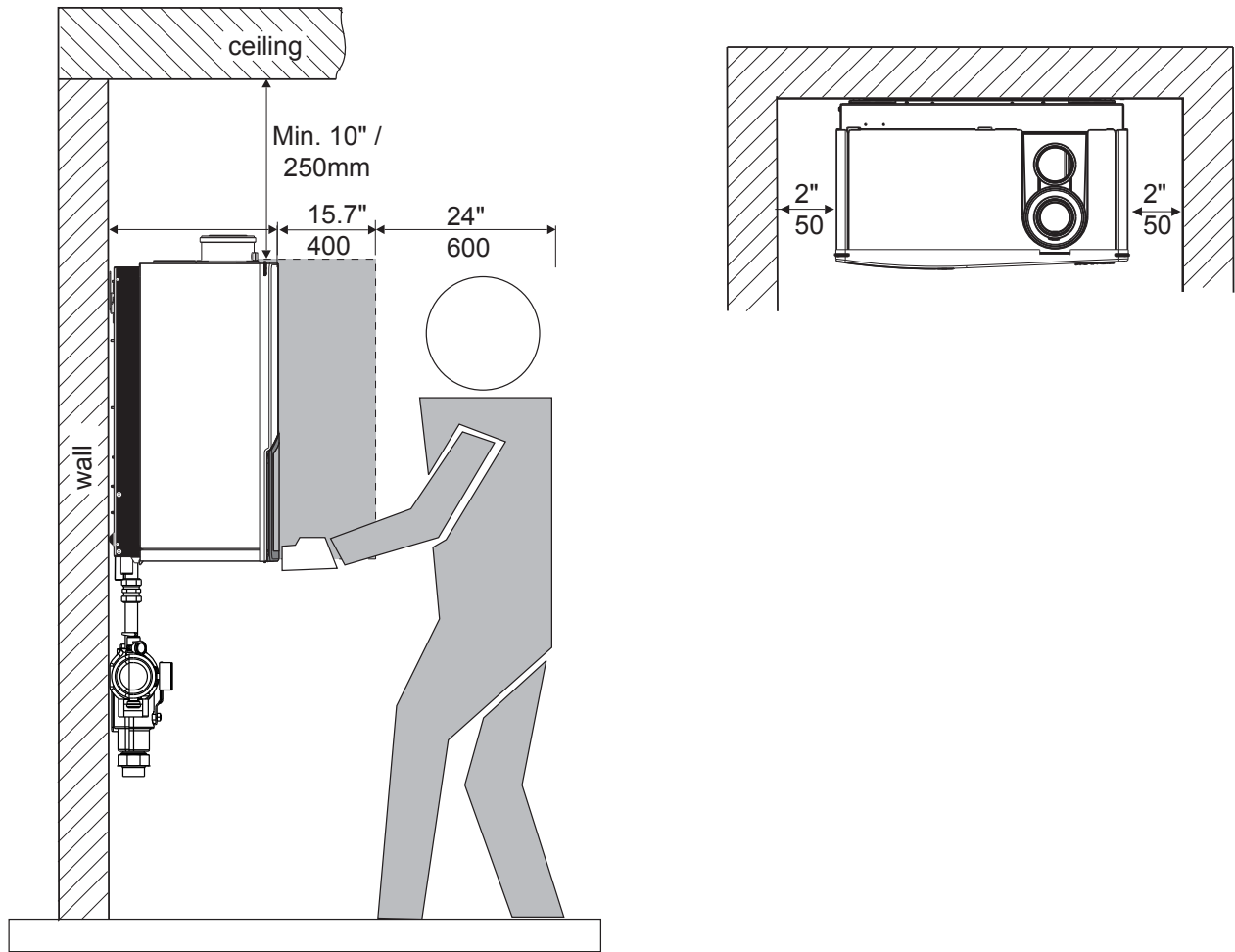
Rinnai supplies with each type of boiler a Plumbing kit. Find below the dimensions. See chapter 6.1 for additional information.



plumbing kit 1

figure 3

5.3.2 Clearances from boiler



service clearances to the boiler

figure 4

	Minimum required clearances to combustibles	Minimum required clearances to non-combustibles	Recommended service clearances
	All types	All types	All types
	inch / mm	inch / mm	inch / mm
Top of boiler	2" / 50	2" / 50	10" / 250
Back of boiler	0"	0"	0
Front of boiler	6" / 150	6" / 150	24" / 600
Left side of boiler	2" / 50	2" / 50	2" / 50
Right side of boiler	2" / 50	2" / 50	2" / 50
Floor / Ground to bottom of boiler	12" / 300	12" / 300	30" / 762
Floor/ Ground to bottom Low loss header	0"	0"	12" / 300
Vent	0"	0"	0"

clearances to the boiler

table 3

For closet installation: clearance is 1" / 25mm from the front.

Low Loss Header

Clearances to combustible and non-Combustible is 0 inch for sides, top, front and floor/ground. The recommended service clearance to the bottom of the low loss header is 12 inches.

5.4 Technical specifications

Boiler type		E-Series	
		E75CN E75CP	Combi E110CN E110CP
Input Hs CH	BTU/hr	75,000	110,000
	kW	22	32
Q _n Output non-condensing CH	BTU/hr	67,500	98,000
	kW	19.8	28.8
Q _n Output EN677 efficiency CH	BTU/hr	74,100	108,000
	kW	21.7	31.7
Q _n Output AFUE CH	BTU/hr	72,400	105,700
	kW	21.2	30.7
Efficiency at 98.6/86°F (36/30°C) part load, Hs, EN677 CH	%	98.8	99.0
AFUE according IBR	%	95.5	95.5
O ₂ (at full load)	%	Natural gas: 4.4 - 4.7 (Propane: 4.8 - 5.1)	
Electr. power consumption max.	W	145	
Electr. power consumption stand by	W	14	
Current	V/Hz	120Vac/60Hz	
Fuse rating	A	5AF & 4AT	
Degree of protection acc. EN 60529		IPX4D (IPX0D in case of room air)	
Weight (empty)	lbs / kg	91 / 39	101 / 40
Water content CH	gallon / liter	0.9 / 3.5	1.3 / 5
Water content DHW	gallon / liter	0.13 / 0.5	0.18 / 0.7
Water content Plumbing Kit	gallon / liter	0.55 / 2.1	
After run time pump CH	min	5	
After run time pump DHW	min	1	
P _{MS} Water pressure min.-max.	PSI / bar	14 - 43 / 1 - 3	
P _{MW} Water pressure DHW max.	PSI / bar	150 / 10	
Flow temperature max.	°F / °C	176 / 80	
Pump type		UPS20-48	UPS20-58
Available pump height CH	PSI / kPa	3.8 / 26	0.7 / 5
Approvals		ASME, CSA	
DHW flow (at ΔT50°F)	gallon/min		4.6
DHW flow (at ΔT27.8°C)	liter/min		17.4
DHW flow (at ΔT75°F)	gallon/min	2.1	3.2
DHW flow (at ΔT41.7°C)	liter/min	7.9	12.1
Max. DHW flow rate	gallon/min	2.1	4.6
	liter/min	7.9	17.4
DHW temperature (T _{in} =50°F (10°C))	°F / °C	140 / 60	
Pressure difference DHW	PSI / bar	2.9 / 0.2	4.4
Content expansion vessel	gallon / liter	2.1 / 8	3.1 / 12
Acceptance volume expansion vessel	gallon / liter	0.8 / 3	1.2 / 4.5
Pre-charge pressure expansion vessel	PSI / bar	14.5 / 1	
CSA number		2183087	
CRN number		8101.7CL	

6 Connecting the boiler

The boiler has the following connection pipes;

- The central heating circuit pipes.
These must be connected to the plumbing kit by means of adapter fittings. See further chapter 6.1;
- The gas supply pipe.
It is provided with a 3/4" male thread into which the tail piece of the gas valve can be screwed. See further chapter 6.4;
- Cold and hot water pipes for domestic hot water (DHW).
These consist of 3/4" (15 mm) copper pipe and can be connected to the installation by means of 3/4" M-NPT adapter fittings. See further chapter 6.5;
- The condensation drain pipe.
It consists of an oval 1" (22 mm) plastic pipe. The drain pipe can be connected to this by means of an open connection. If the open connection is fitted in a different location, then the pipe can be lengthened by means of a 1 1/4" (32 mm) PVC sleeve. See further chapter 6.6;
- The vent system and air supply system.
It consists of a concentric connection 3"/5" (80/125 mm). The boiler can be converted to a twin pipe connection that will accept 80mm flue and intake air or with the use of the included adapters 3" PVC/CPVC flue and intake. See further chapter 6.7.



NOTICE

The pipes to be connected to the boiler must be cleaned before connecting in order to prevent dirt from entering and damaging the boiler.

6.1 Central heating system

Connect the central heating system according to its instructions.

The boiler pipes can be connected to the installation by means of compression fittings. Reducers should be used for connecting to thick-walled pipe (welded or threaded).



NOTICE

When removing the plastic sealing caps from the pipes, dirty testing water may drain from the boiler.



NOTICE

A Plumbing Kit must be fitted to the boiler.



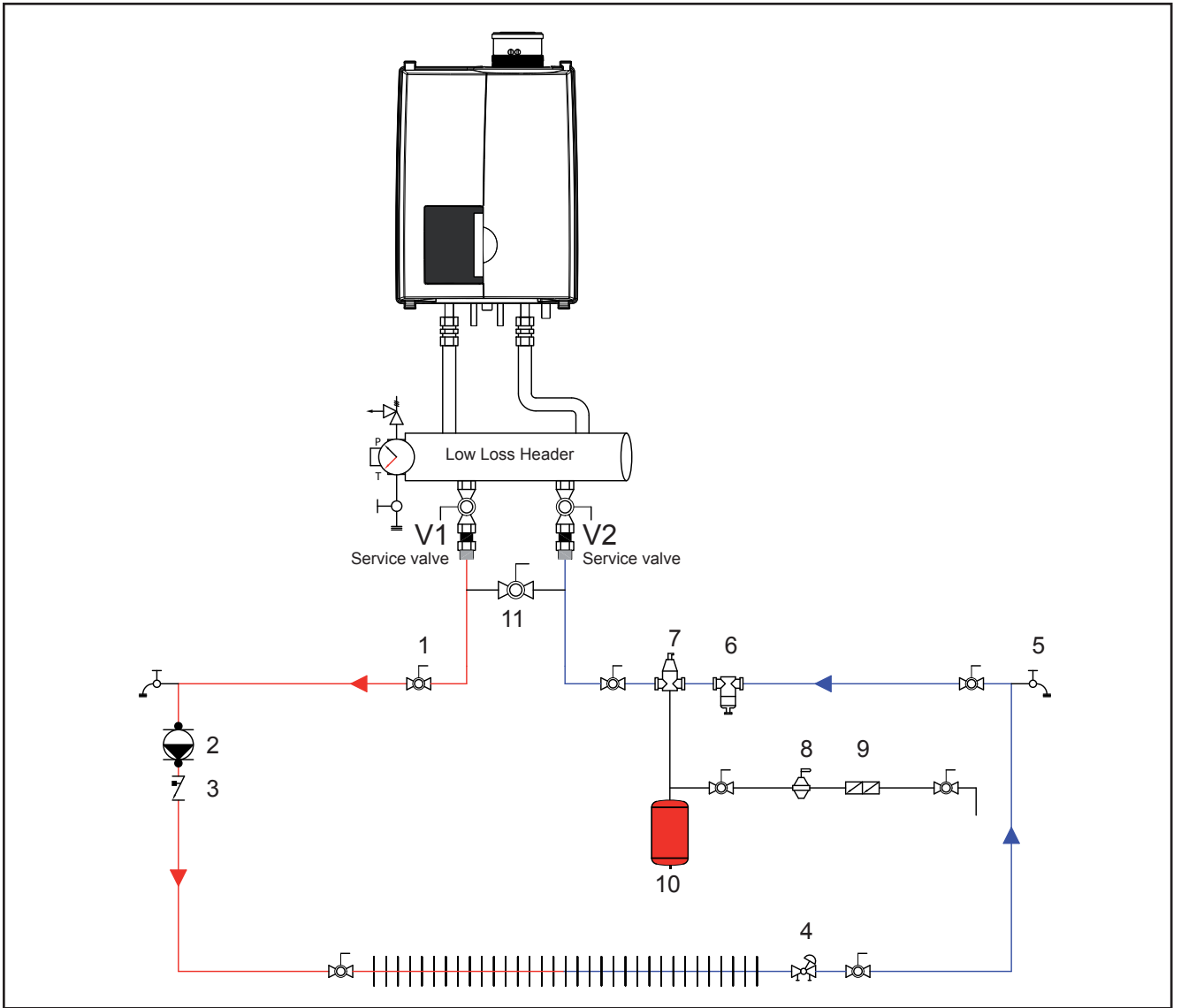
NOTICE

The boiler, when used in connection with a refrigeration system, must be installed so the chilled medium is piped in parallel with the boiler with appropriate valves to prevent the chilled medium from entering the boiler.



NOTICE

The boiler piping system of a hot water boiler connected to heating coils located in air handling units where they may be exposed to refrigerated air circulation must be equipped with flow control valves or other automatic means to prevent gravity circulation of the boiler water during the cooling cycle.



Boiler basic piping

fig. 5

1. shut off valve
2. system circulator
3. check valve
4. balancing valve
5. boiler drain valve
6. dirt trap
7. air separator
8. automatic fill valve
9. back flow preventer
10. expansion tank
11. bypass for system cleaning

6.1.1 Plumbing Kit installation

Rinnai supplies specific Plumbing Kits with each boiler type, which must be fitted directly underneath the boiler on the supply and return pipe. Use of the Rinnai boiler without the plumbing kit will void the warranty.

NOTICE

To protect the entire heating system we recommend installing a dirt particle trap in the return circuit. When the boiler is installed to an existing heating system this trap is required. Use of a Y strainer is not permitted as substitute for a dirt trap.

- Install shut-off valves immediately before and after the dirt particle filter to allow the filter to be cleaned.
- Position 3 (figure 6) is a garden hose thread boiler drain, that can be used to drain the boiler or add water treatment additives to the system, such as inhibitors or glycol.
- Position 4 (figure 6) is the supply connection for an indirect tank when used with the optimal 3-way valve kit.
- For information on locating the expansion tank and system fill, please see the Rinnai Boiler Applications Manual.

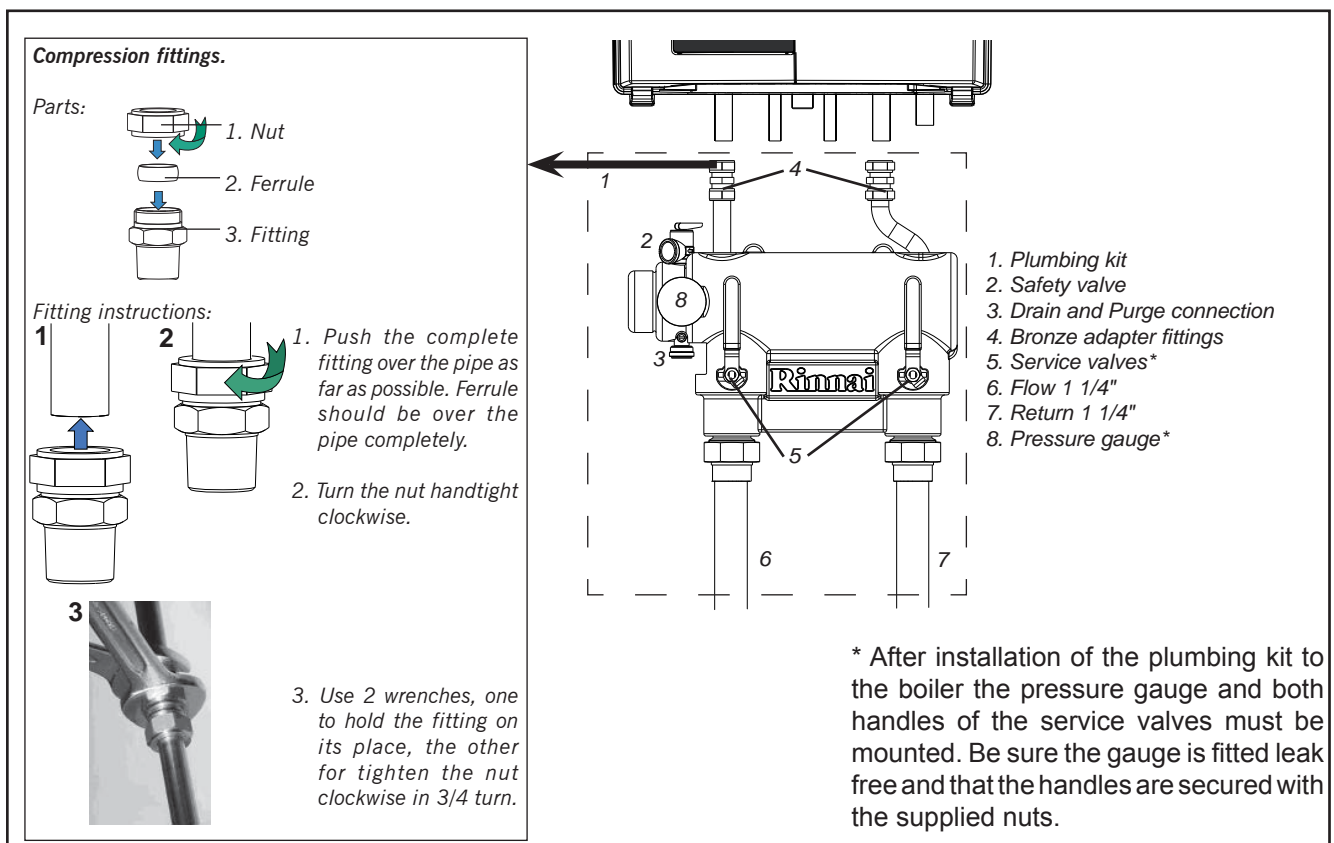
NOTICE

Thoroughly flush all pipes and radiators. We recommend the use of a Rinnai approved system cleaner. Refer to the Rinnai Boiler Applications Manual for an approved list of Rinnai system cleaners.

- Refer to the installation template and chapter 5.3 for the pipe connection dimensions.
- Fit the bronze adapter fittings, supplied with the boiler (fig. 6, pos. 4) first to the Plumbing Kit and then to the boiler.

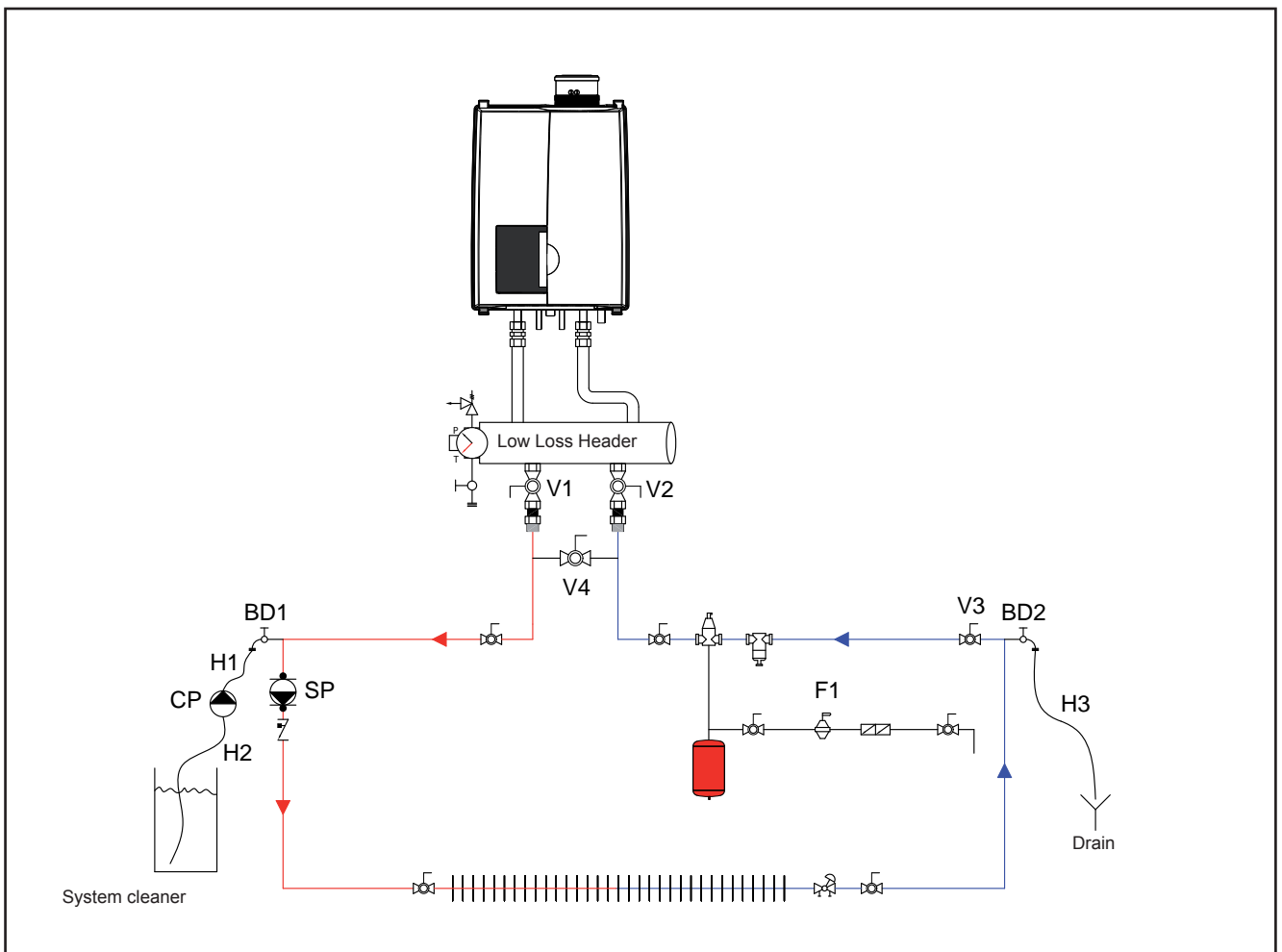
NOTICE

The plumbing kit is not intended to support the weight of the piping. Appropriate piping supports should be used to support all attached piping to the boiler and plumbing kit.



- Boiler system flushing (Not Boiler heat exchanger)
When replacing an existing boiler the heating system should be flushed with the old boiler in place before the new boiler is added to the system. If the old boiler has already been removed a bypass must be piped in when the new boiler is installed in order to facilitate the flushing of the system.
The boiler must be valved off from the system, while the system is flushed. No system cleaner should ever enter the boiler heat exchanger due to its caustic nature which could damage the heat exchanger.

1. Close the shutoff valves on both the supply and return connections on the plumbing kit (V1 and V2).
2. Open the bypass valve (V4).
3. Connect pump outlet hose (H1) to the supply side purge station (BD1)
4. Connect drain hose (H3) to the return side purge station (BD2).
5. Pour the system cleaner into a pail and follow the system cleaner instructions on circulation time and volume to be added to the system.
6. Operate the charging pump (CP) and charge the system with the required volume of system cleaner
7. Close the supply side purge station (BD1)
8. Turn on the system pump(s) (SP) and circulate the cleaner through the system for required time as established by the cleaner manufacturer.
9. Once the time required by the system cleaner manufacturer has been met place the drain hose (H3) in a drain.
10. Turn off the system pump(s) (SP)
11. Close the main valve on the system return (V3) and open the return side purge station (BD2).



Boiler system flushing

fig. 7

12. Open the auto feed on the system (F1) and allow water to rinse the system for whichever is greater; 10 minutes or the required rinse time by the system cleaner manufacturer.
13. If the installation is a zone system be sure to purge out each zone individually
14. Close the auto feed on the system (F1)
15. Close the return side purge station (BD2) and disconnect the hose (H3).
16. Open the main valve on the system return (V3)
17. Close the bypass valve below the plumbing kit (V4).
18. Open shutoff valves on both the supply and return connections on the plumbing kit (V1 and V2).
19. Clean out the dirt trap
20. Test the pH of the water that will be used for filling the system
21. Test the water hardness of the water that will be used for filling the system
22. Use the proper water treatment to ensure the pH and water hardness are within the Rinnai boiler water quality guidelines
23. The boiler and system may now be filled.

The following is a list of approved system cleaners, inhibitors, and antifreeze.

Approved antifreeze:

- Rhomar RhoGard Mutli-Metal (AL safe)
- Noble Noburst AL
- Sentinel X500
- Fernox Alphi 11

Approved system cleaner:

- Noble Noburst Hydronic System Cleaner
- Rhomar Hydro-Solv 9100
- Fernox F3 Cleaner
- Sentinel X400

The system cleaners from NoBurst, Rhomar, and Fernox are NOT to be used in the boiler. The boiler must be closed off (valved off) from the rest of the system or not connected while the cleaners are in the system. The system should then be drained and then thoroughly flushed with clean water to remove all the system cleaner.

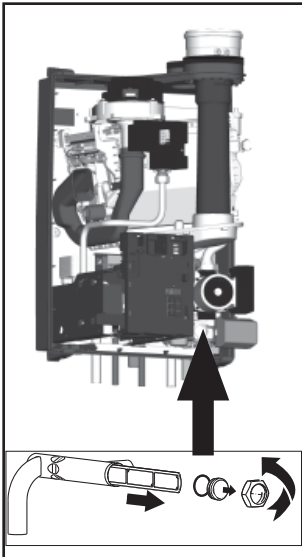
Approved inhibitors:

- Rhomar Pro-tek 922
- Noble Noburst AL inhibitor
- Sentinel X100



NOTICE

- Connect the expansion tank to the system. See chapter 6.2.
- Connect the pipes so that they are free from strain.



Water filter figure 9a

The boiler has a self-adjusting and self-protecting control system for the load and the pump capacity. By this means, the temperature difference between the supply and return water is checked and controlled.

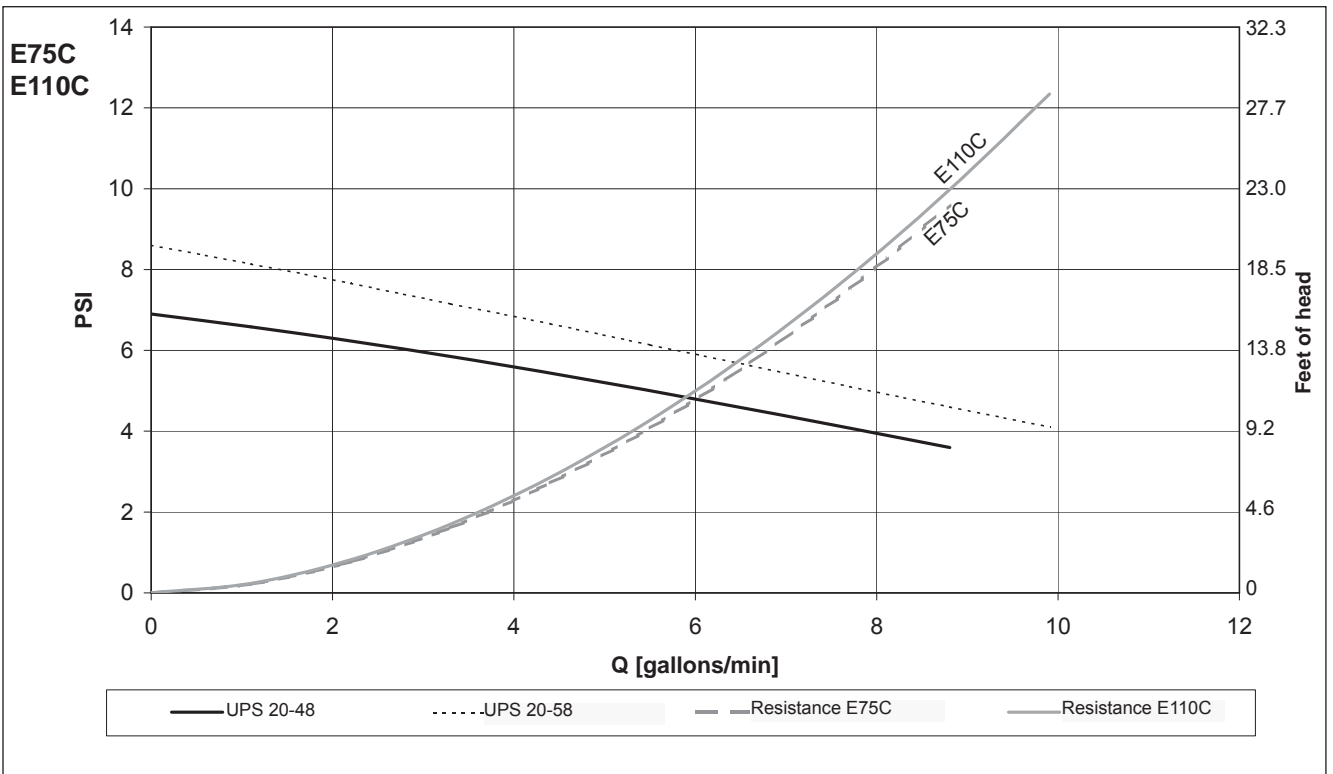
If the installation resistance is over the stated value; the load will be adjusted until an acceptable temperature difference between supply and return water has been obtained. If, after this, the temperature difference is still not acceptable then the boiler will switch off and wait until an acceptable temperature has arisen.

If an unacceptable temperature is detected, the control will repeatedly try to achieve water flow over the boiler. If not the boiler will switch off.

As standard the boiler is provided with a water filter in the return pipe of the boiler, so that debris from the central heating water is prevented from affecting the boiler.

i NOTICE

The boiler is designed to be used on pressurized heating systems only (closed loop).



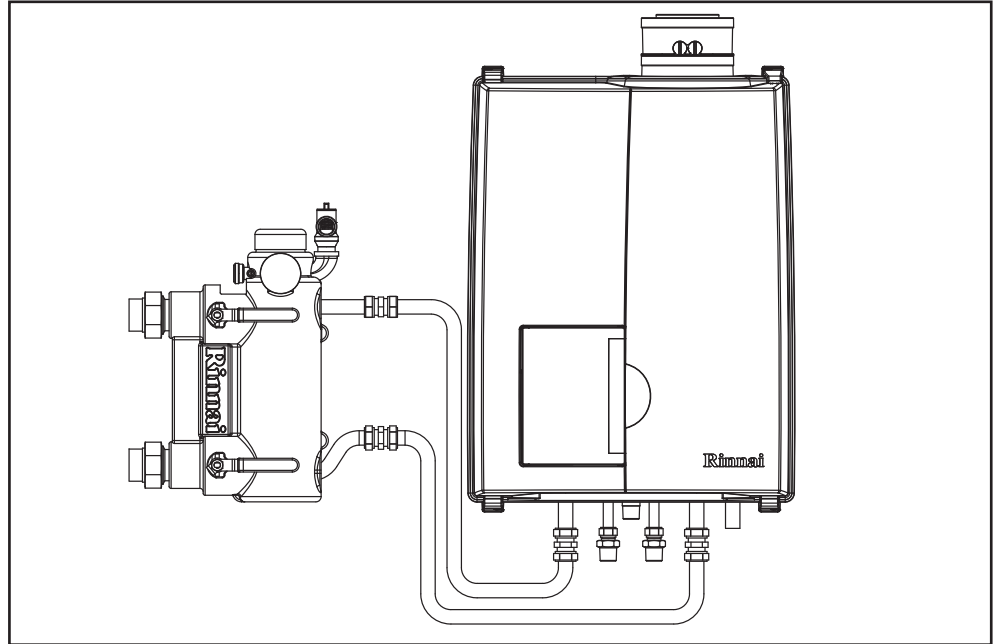
pump index lines

graph 1

6.1.2 Side mounting kit for the Low Loss header

A side mounting kit for the low loss header is available as an accessory. This kit relocates the low loss header from directly below the boiler to the left side of the boiler only. The kit includes all the parts required to relocate the low loss header including all mounting brackets and material. This kit provides an alternative to for installations with height limitations and allows for an alternative piping installation.

Kit 1 for boiler models E75C and E110C Rinnai part number: 804000071.



Side mounting kit

figure 9

6.1.3 Safety valve



NOTICE

An ASME 30 psi pressure relief valve is installed on the plumbing kit included with the boiler.

6.1.4 Low water cut off



NOTICE

The Rinnai E boiler has a factory installed pressure switch type Low Water Cut Off (LWCO). Check your local codes to see if a Low Water Cut Off is required (LWCO) and if this device conforms to local code. See the Rinnai Boiler Applications Manual for further information.

The Low water cut off is not serviceable.

6.2 Boiler expansion tank

The E-Series boilers are equipped with an internal expansion tank. The tank of the E75CN and E75CP is positioned inside the boiler casing. This expansion tank has a pre-charge pressure of 14.5 PSI / 1 Bar and a capacity of 2.1 gallon / 8 litres.

The tank of the E110CN and E110CP is positioned directly beneath the boiler and together with the casing forms a single entity with the boiler.

The casing can be removed by pulling forwards. The expansion tank has a pre-charge pressure of 14.5 PSI / 1 Bar and a capacity of 3.1 gallon / 12 litres.

If a larger capacity expansion tank is needed for the installation a standard expansion vessel should be fitted additionally.

In that case choose an expansion tank volume, of which the summary is geared to the installation's water capacity. The pre-charge pressure depends on the installation height above the expansion tank. Fit the expansion tank into the return pipe as close as possible to the boiler return connection. The extra expansion tank should be sourced locally. Please refer to the expansion tank manufacturer for further information.



NOTICE

Fill the expansion tank to a minimum of 14.5 psi.



NOTICE

The boiler cannot be used with an open type expansion tank.

6.3 Underfloor heating system (plastic pipes)

When using oxygen-permeable pipes, e. g. for underfloor heating systems, the system must be separated using plate heat exchangers.



NOTICE

No recourse can be made to the terms of the limited warranty in the event of failure to regard the regulations pertaining to plastic underfloor heating pipes.

6.4 Gas supply connection



DANGER

Only work on gas lines if you are licensed for such work. If these instructions are not followed exactly, a fire or explosion may result causing property damage, personal injury or death.



WARNING

Rinnai wall mounted boilers are built to run on Natural Gas or Propane Gas. The gas type the boiler is suitable for is indicated on the packaging and on the boiler by a blue label with Natural Gas or a green label with Propane Gas and on the identification plate on the boiler.

First check the identification plate on the boiler for the suitable gas type.



DANGER

Do not use the boiler for another type of gas than indicated on the identification plate of the boiler. This will cause improper functioning and can damage the boiler.

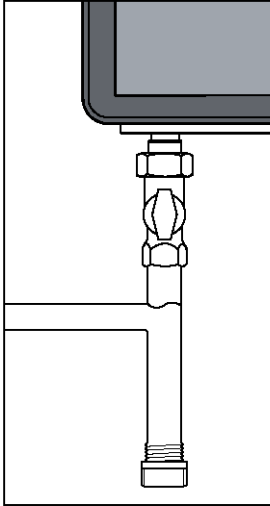
Natural gas: resume with chapter 6.4.1

Propane gas: resume with chapter 6.4.2

6.4.1. Gas connection with natural gas

NOTICE

The gas supply connection must comply with local regulations or, if such regulations do not exist, with the National Fuel Gas Code, ANSI Z 223.1. For Canada, the gas connection must comply with local regulations or, if such regulations do not exist, with the CAN/CSA B149.1, Natural Gas and Propane Installation Code.



Sediment trap figure 8

Pipe sizing for natural gas

Contact gas supplier to size the gas supply line and meter.

Gas piping

A sediment trap must be installed upstream of the gas controls.

The boiler gas pipe is equipped with external 3/4" M-NPT thread, onto which the tail piece of the gas shut off valve can be connected. Use appropriate sealing.

The connection to the boiler must include a suitable method of disconnection and a gas control valve must be installed adjacent to the boiler for isolation purposes. The nominal inlet gas pressure measured at the boiler should be 7" W.C. (18 mbar) for Natural gas (Gas A). Maximum pressure with no flow (lockup) or with the boiler running is 10.5 inches W.C. Minimum pressure with the gas flowing (verify during boiler startup) is 4.0 inches W.C.

The gas pipe must be fitted to the gas valve free from any strain.

NOTICE

Make sure that the gas pipe system does not contain dirt, particularly with new pipes.

DANGER

Always check the safety of the gas pipe system by means of a bubble test using leak-search spray.

NOTICE

The boiler and its individual shut off valve must be disconnected from the gas supply piping system during any pressure testing of that system at test pressures in excess of 1/2 PSI (3.5kPa).

NOTICE

The boiler must be isolated from the gas supply piping system by closing its individual manual shutoff valve during any pressure testing of the gas supply piping system at test pressures equal to or less than 1/2 PSI (3.5 kPa).

6.4.2 Gas connection with propane gas

NOTICE

The gas supply connection must comply with local regulations or, if such regulations do not exist, with the National Fuel Gas Code, ANSI Z 223.1. For Canada, the gas connection must comply with local regulations or, if such regulations do not exist, with the CAN/CSA B149.1, Natural Gas and Propane Installation Code.

Pipe sizing for propane gas

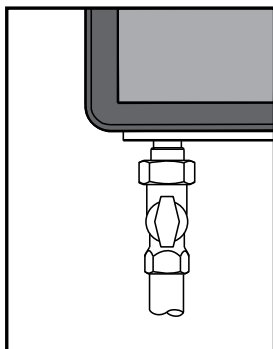
- Contact gas supplier to size pipes, tanks, and 100% lockup gas pressure regulator.

Propane Supply Pressure Requirements

- Adjust propane supply regulator provided by the gas supplier for 14 inches W.C. maximum pressure.
- Pressure required at gas valve inlet pressure port:
 - Maximum 14 inches W.C. with no flow (lockup) or with boiler running.
 - Minimum 8 inches W.C. with gas flowing (verify during boiler startup).

Ensure that the high gas pressure regulator is installed at least 6 to 10 feet upstream of the boiler.

DANGER



Gas shut off valve onto boiler
figure 9

Gas piping

- Use a gas shut off valve compatible with propane gas.
- A sediment trap must be provided upstream of the gas controls.

The boiler pipe is equipped with external 3/4" M-NPT thread, onto which the tail piece of the gas shut off valve can be screwed. Use appropriate sealing.

The connection to the boiler must include a suitable method of disconnection. A gas control valve must be installed adjacent to the boiler for isolation purposes. The nominal inlet working gas pressure measured at the boiler should be 12 inch W.C. (30mbar) for Propane gas (Gas E).

The gas pipe must be fitted to the gas valve free from any strain.

Make sure that the gas pipe system does not contain dirt, particularly with new pipes.

NOTICE

Always check the safety of the gas pipe system by means of a bubble test using leak-search spray.

DANGER

NOTICE

The boiler and its individual shut off valve must be disconnected from the gas supply piping system during any pressure testing of that system at test pressures in excess of 1/2 PSI (3.5kPa).

NOTICE

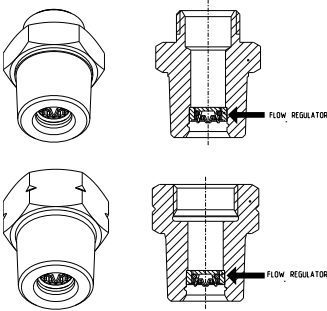
The boiler must be isolated from the gas supply piping system by closing its individual manual shutoff valve during any pressure testing of the gas supply piping system at test pressures equal to or less than 1/2 PSI (3.5 kPa).

6.5 Hot water supply

Connection of the drinking water installation should be performed according to the national secondary drinking water regulations.



Do NOT use toxic chemicals, such as those used for boiler treatment in potable water heating systems used for space heating.



The sanitary water pipes can be connected to the installation by use of adapter fittings. The cold water inlet on the Combi boilers must be equipped with the following components (counted in the water flow direction):

Flow regulator valve (supplied), Safety group, Expansion vessel 87 PSI / 6bar (potable water, blue).

The 3/4" NPT adapter fitting with flow reducing valve must be fitted in the cold water connection.

A flow regulator valve is supplied with the boiler in a 3/4"NPT adapter fitting. The flow regulator valve ensures that a quantity of water is supplied which has an outlet temperature of 120°F (assuming a cold water temperature of 45°F). The quantity of water is virtually unaffected by the water pressure.

Identification colors flow regulators:
E75C: White
E110C: Green



When there is a water pressure lower than 22PSI / 1.5 bar it is advisable to remove the inside mechanism of the flow reducing valve.

6.5.1 Domestic Water quality

Appropriate steps must be taken to ensure the brazed plate heat exchanger does not become plugged by scale caused by hard water or sediment. If the plate heat exchanger becomes plugged by either scaling from hard water or sediment it is not the responsibility of Rinnai.

1. Water hardness for DHW

When there is a water hardness of more than 6 to 7 grains hardness for domestic water, a water softener must be installed on the inlet side of the DHW connection.

2. Sediment in DHW

If there is sediment in your domestic water supply a sediment filter or other suitable device should be used to remove it before the water enters the brazed plate heat exchanger.

3. Water Chemistry for DHW

The water used for domestic must have a water pH between 6.0 and 8.0, contain less than 1.7 gpg (20 mg/l) of Sodium, and a concentration of Chlorine less than 5.8 gpg (100 mg/L).

If problems occur when using sanitary water outside of the above stated requirements, no recourse can be made to the terms of the limited warranty.

6.5.2 Domestic water treatment Accessory

Rinnai offers a domestic water treatment device that can help reduce scale build up. This device can be installed on the incoming cold water line for any combi boiler. For additional information on contact Rinnai.

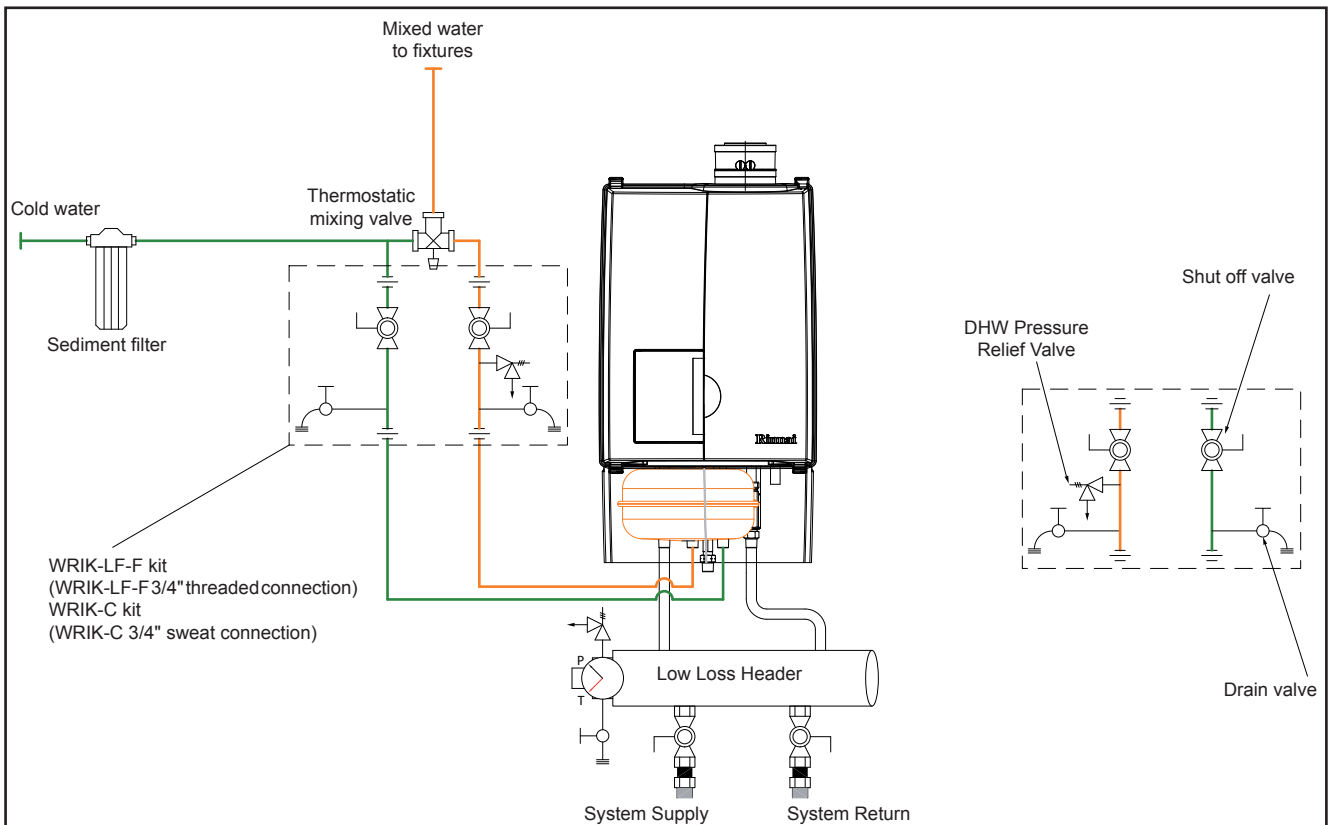
6.5.3 DHW Expansion Tank

A domestic water expansion tank could be required by local code. Check local code to determine if it is required.

If a combi boiler is installed in a closed water supply system, such as one having a backflow preventer in the cold water supply line, means shall be provided to control thermal expansion. Contact the water supplier or local plumbing inspector on how to control thermal expansion.

6.5.4 Installing a Thermostatic Mixing Valve

A thermostatic mixing valve should be installed on all E combi boilers on the domestic hot water side to prevent scalding. This valve will regulate the water temperature leaving the brazed plate heat exchanger. See the figure 10 for the suggest piping.



DHW piping with thermostatic mixing valve

fig. 10



Hot water can be dangerous, especially for infants or children, the elderly, or infirm. There is hot water scald potential if the thermostat is set too high.

Water temperatures over 125° F (51° C) can cause severe burns or scalding resulting in death.

Hot water can cause first degree burns with exposure for as little as:

3 seconds at 140° F (60° C)

20 seconds at 130° F (54° C)

8 minutes at 120° F (48° C)

Test the temperature of the water before placing a child in the bath or shower.

Do not leave a child or an infirm person in the bath unsupervised.

6.5.5 Installing a valve kit

A means to isolate the domestic plate heat exchanger for cleaning must be provided at installation. Refer to figure 10 for proper piping layout. A Rinnai valve kit can be used on domestic water connections for all combi boilers to allow for cleaning of the plate heat exchanger and installation of the domestic hot water pressure relief valve.

- Rinnai recommends the use of the WRIK-LF-F (3/4" NPT thread connection) or WRIK-C kit (WRIK-C (3/4" sweat connection) when connecting the domestic water lines to the boiler
- Use of this kit will assist in flushing the flat plate heat exchanger in areas where water quality issues exist, as well as improve overall product serviceability

6.5.6 Pressure relief Valve

- An approved pressure relief valve is required by Rinnai for all water heating systems.
- The relief valve must comply with the standard for Relief Valves and Automatic Gas Shutoff Devices for Hot Water Supply Systems ANSI Z21.22 and/or the standard Temperature, Pressure, Temperature and Pressure Relief Valves and Vacuum Relief Valves, CAN1-4.4.
- The relief valve must be rated up to 150 psi and to at least the maximum BTU/hr of the appliance.
- The discharge from the pressure relief valve should be piped to the ground or into a drain system to prevent exposure or possible burn hazards to humans or other plant or animal life. Follow local codes. Water discharged from the relief valve could cause severe burns instantly, scalds, or death.
- The pressure relief valve must be manually operated once a year to check for correct operation.
- The relief valve should be added to the hot water outlet line according to the manufacturer instructions. DO NOT place any other type valve or shut off device between the relief valve and the combi boiler.
- Do not plug the relief valve and do not install any reducing fittings or other restrictions in the relief line. The relief line should allow for complete drainage of the valve and the line.
- If a relief valve discharges periodically, this may be due to thermal expansion in a closed water supply system. Contact the water supplier or local plumbing inspector on how to correct this situation. Do not plug the relief valve.
- Rinnai does not require a combination temperature and pressure relief valve for this appliance. However local codes may require a combination temperature and pressure relief valve.
- If a combi boiler is installed in a closed water supply system, such as one having a backflow preventer in the cold water supply line, means shall be provided to control thermal expansion. Contact the water supplier or local plumbing inspector on how to control thermal expansion.

6.5.6 Programming domestic hot water preheat

NOTICE

When plate warming is selected the brazed plate heat exchanger is kept warm and this reduces the wait time for domestic hot water by approximately 1 minute. When this setting is turned off the wait time for DHW is increased by approximately 1 minute.

If plate warming is selected consider the following.

This product is a domestic hot water priority boiler; therefore continuous flow in the DHW system (perhaps due to a leaky fixture) may cause the boiler to remain in DHW mode — thus preventing the heating system from adequately functioning. In the event the DHW system has a leak, this feature should be turned off until this problem can be corrected.

This selection can be done with the first digit of Parameter 36.
Domestic hot water preheat ON = 1x (Factory setting)
Domestic hot water preheat OFF = 2x
See chapter 10 how to change a parameter.

The domestic hot water preheat setting is designed to increase the comfort of the home owner and reduce water consumption by reducing the wait time for hot water at the fixture. This comfort setting will create a slight increase in the gas usage of the boiler, but this will be offset by the reduction in wasted water at the fixture.

6.6 Condensate drain pipe

This boiler produces condensate. Condensate must be drained otherwise the boiler will not function and can cause product or property damage.

The condensation drain pipe should be connected to a drain in the building by means of an open connection. By this means the possibility of drain gases effecting the boiler is prevented. The drain connection should have a minimum diameter of 1.3" / 32mm.

Install the condensation drain pipe according to applicable local code.

If the condensate outlet of the boiler is lower than the public sewage system a condensate pump must be used.

The condensate produced by the boiler has a pH value between 3 and 4.

Install a neutralization unit if required by local code. It is recommended, but not required to install a condensate neutralizer.

Rianni offers a condensate neutralizer designed to work with all boiler models. The condensate neutralizer kit comes with all the necessary fittings and mounting material. PVC pipe must be supplied by the installation contractor.

Rinnai part number: 804000074

NOTICE

Do not drain the condensation water to the external rain gutter because of the danger of freezing and blockage of the drain.

NOTICE

Before putting the boiler into operation fill the condensate trap with 1.27 cups / 300 ml of water. If the boiler will be installed in a high temperature installation such as baseboard with a supply temperature of 160°F or above, fill the condensate trap with mineral oil instead of water.

NOTICE

Use materials approved by the authority having jurisdiction. In absence of such authority, PVC and CPVC pipe must comply with ASTM D1785, F441 or D2665. Cement and primer must comply with ASTM D2564 or F493.

For Canada, use CSA or ULC certified PVC or CPVC pipe, fittings and cement.

NOTICE

Periodic cleaning of the condensate disposal system must be carried out. See the Rinnai Boiler Application Manual for further information and for a piping diagram for the condensate.

6.7 Vent system and air supply system

Provisions for combustion and ventilation air must be made in accordance with section, Air for Combustion and Ventilation of the National Flue Gas Code, ANSI Z223.1, or Sections 7.2, 7.3 of 7.4 of CAN/CGA B149.1, Installation Codes, or applicable provisions of the local building codes.

- Do not store chemicals near the boiler or in rooms where the air is being supplied to the boiler. **See the list on page 10.**
- Do not allow the flue gases of other appliances to enter the boiler.
- Keep cabinet free of moisture



NOTICE

In the event that the system has actuated to shut off the main burner gas, do not attempt to place the boiler in operation. Contact a licensed professional.

6.7.1 Intake / Exhaust Guidelines

Refer to the specific instructions on your vent product for additional installation requirements.

- For direct vent boilers, proper reassembly and resealing of the vent-air intake system is required.
- You must use vent components that are certified and listed with this model.
- Do not combine vent components from different manufacturers.
- Venting should be as direct as possible with a minimum number of pipe fittings.
- Avoid dips or sags in horizontal vent runs by installing supports per the vent manufacturer's instructions.
- Support horizontal vent runs every four feet and all vertical vent runs every six feet or in accordance with local codes.
- Vent diameter must not be reduced.
- The boiler is unsuitable to install on a common vent installation, see also chapter 19.
- Do not connect the venting system with an existing vent or chimney.
- Do not common vent with the vent pipe of any other combi boiler or appliance.
- Vent connections must be firmly pressed together so that the gaskets form an air tight seal.
- Refer to the instructions of the vent system manufacturer for component assembly instructions.
- If the vent system is to be enclosed, it is suggested that the design of the enclosure shall permit inspection of the vent system. The design of such enclosure shall be deemed acceptable by the installer or the local inspector.



NOTICE

If it becomes necessary to access an enclosed vent system for service or repairs, Rinnai is not responsible for any costs or difficulties in accessing the vent system. The limited warranty does not cover obtaining access to an enclosed vent system.

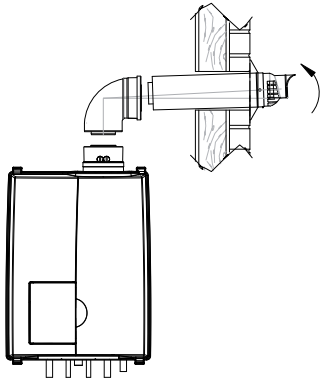
The instructions for the installations of the venting system shall specify that the horizontal portions of the venting system shall be supported to prevent sagging; the methods of and intervals for support shall be specified. These instructions shall also specify that the venting system:

- For category I, II and IV boilers, have horizontal runs sloping upwards not less than 1/4" per foot (21mm/m) from the boiler to the vent terminal;
- For category III boilers, slope shall be as specified in the boiler manufacturer's instructions;
- For category II and IV boilers, be installed so as to prevent accumulation of condensate; and
- For category II and IV boilers, where necessary, have means provided for drainage of condensate.

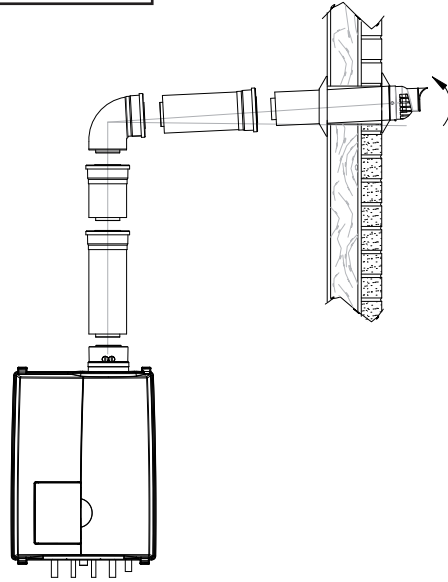
6.7.2a Examples vent and air supply systems (concentric)

Wall thickness for vent termination installation:
 Minimum: 100mm / 4"
 Maximum: 508mm / 20"

Examples wall terminals

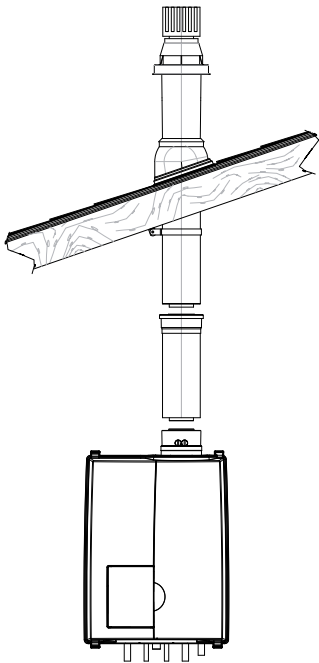


Short termination with wall terminal
 figure 11A

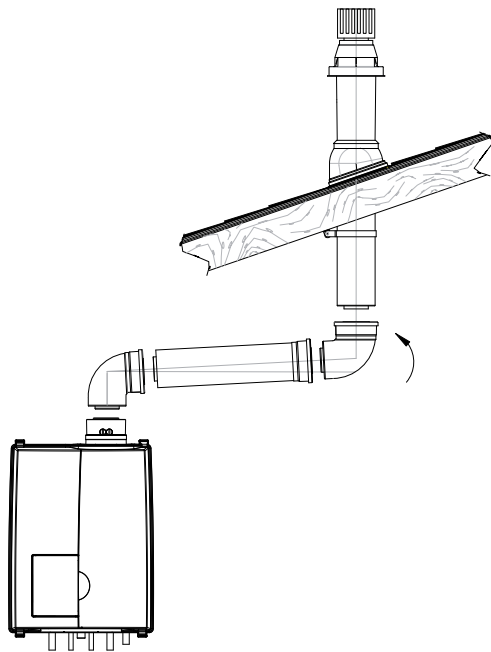


Termination with wall terminal on higher level
 figure 11B

Examples roof terminals

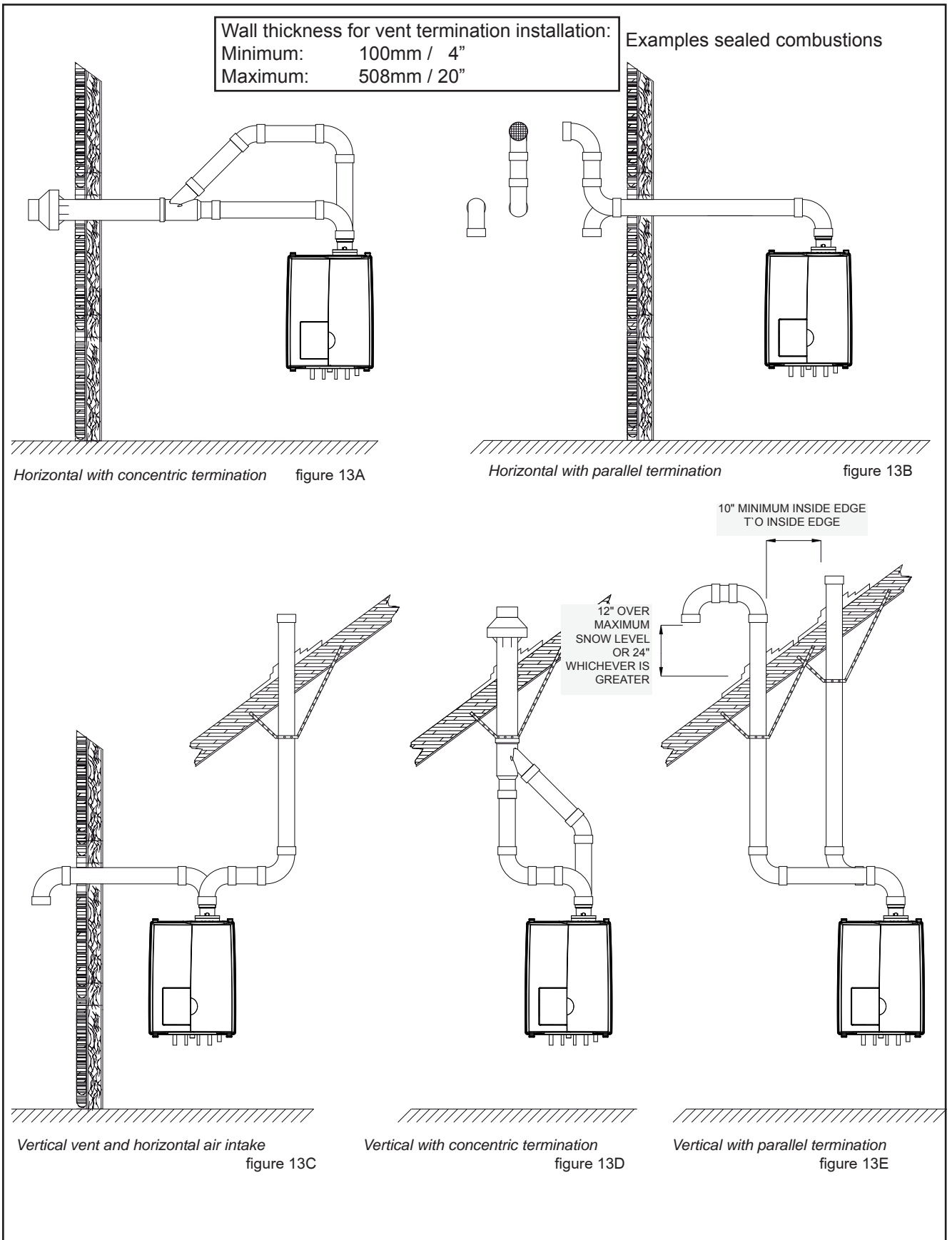


Short termination with roof terminal
 figure 12A



Termination with roof terminal and bends
 figure 12B

6.7.2b Examples vent and air supply systems (parallel)



6.7.3 Installation of the vent system



Consult local and state codes pertaining to special building code and fire department requirements. Adhere to national code requirements.



Follow the listed maximum length of vent systems, which are boiler output dependent. The maximum permissible lengths are listed in table 9, chapter 6.7.6.

Decide how to install the exhaust and air intake system. You can choose between:

- Concentric system (see chapter 6.7.2a)

The concentric connection is provided standard initially.

The boiler concentric connection diameter is 3"/5" (80/125 mm), to which the venting and air supply system can be fitted, with or without elbow pieces. The maximum permissible pipe length is displayed in table 9, chapter 6.7.6.

- Parallel system (see chapter 6.7.2b)

The boiler can be converted to a parallel system with supplied adapters.

It is possible to use a parallel pipe connection of 2x 3". In this case a separate supplied kit, with 2 vent adapters 3" (ø80mm), cover 5" (ø125mm), vent exhaust pipe and gaskets should be fitted instead of the concentric vent adapter on top of the boiler. See chapter 6.7.3.1 for installation. The maximum permissible pipe length is set out in table 9, chapter 6.7.6.

- Room Air System (outdoor combustion air)

The boiler can use room air for combustion. If this option is selected the boiler must first be converted to the parallel system. A single exhaust pipe can then be fitted. It is required to use a room air filter (Part nr. 808000025) when using indoor air for combustion. See chapter 6.7.3.2 for installation. The maximum permissible pipe length is set out in table 9, chapter 6.7.6.



Rinnai strongly recommends the use of the room air filter when a Room Air System (indoor combustion air) is used.

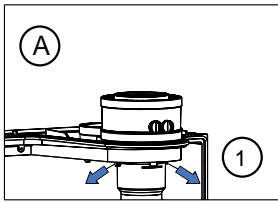


When the boiler is installed in any of the areas listed in chapter 5.1, "Areas likely to have contaminants" or any area exposed to the contaminants listed in chapter 5.1, then sealed combustion is required.

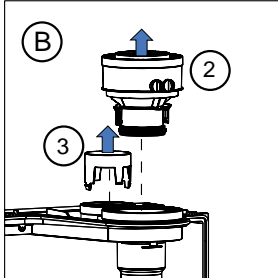


We advise to install a vent system out of the venting system program supplied by Rinnai (See chapter 19 Parts list Vent system). For further information about the available components of the venting and air supply system we recommend you consult Rinnai and the Installation instructions and parts list documentation.

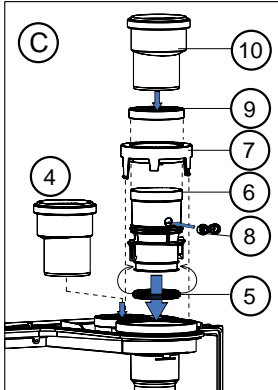
6.7.3.1 Boiler conversion from concentric to parallel



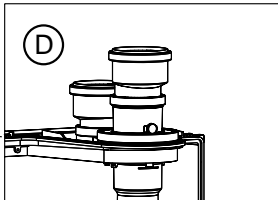
A. 1. Push the 2 clips slightly outwards



B. 2. Pull the concentric adaptor out of the boiler
3. Press the cover in the connection at the back from inside out



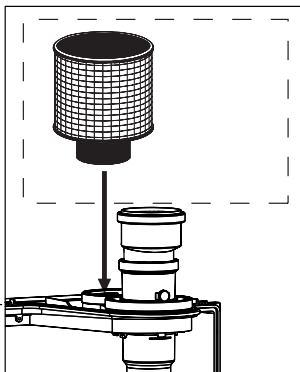
C. 4. Push the 3" adapter into the connection at the back of the boiler (= air intake)
5. Pull the rubber seal around the bottom of the exhaust connector
6. Push the exhaust connector in the boiler, in the boiler exhaust pipe until 'CLICK'
7. Push the 5" cover over the exhaust connector in the 5" opening until 'CLICK'
8. Push the rubber plug in open position in the O₂ measuring opening and close the stop.
9. Push the gasket around the top of the exhaust connector
10. Push the 3" exhaust adaptor in the exhaust connector.



D. Connect the parallel vent system.

*boiler conversion from concentric to parallel
figure 14a*

6.7.3.2 Installing air filter



*placing air filter on air intake
figure 14b*

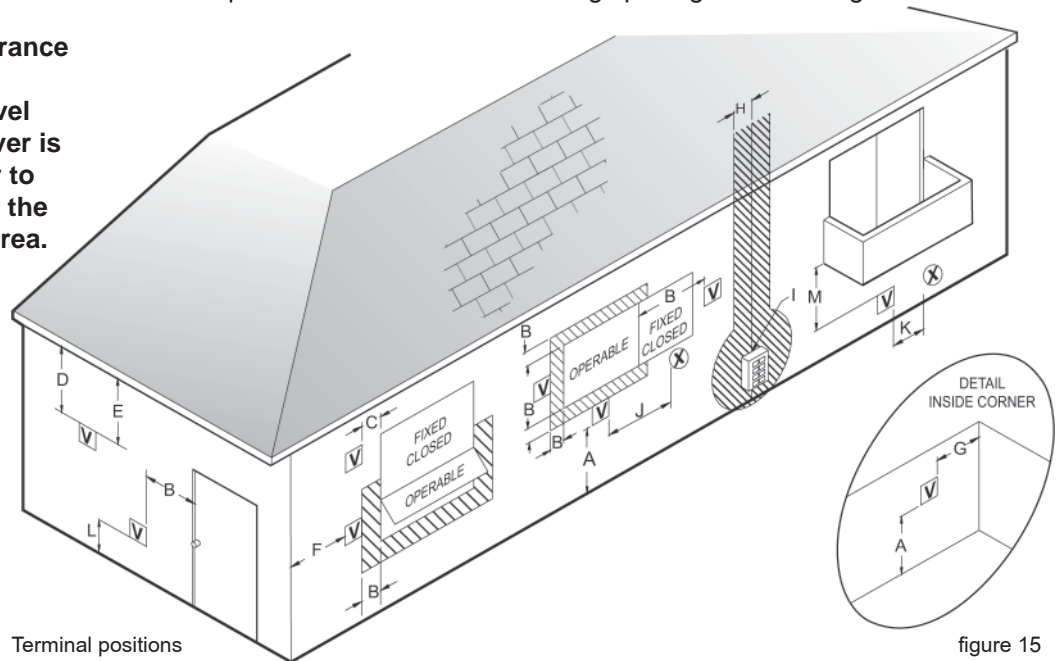
Push the air filter into the air intake on top of the boiler. See figure 14b.

The equivalent length of the combustion room air filter is 12ft (3.66m).

6.7.4 Recommended vent/air intake terminal position

Terminals should be positioned as to avoid products of combustion entering openings into buildings or other vents.

Maintain 12" of clearance above the highest anticipated snow level or grade or, whichever is greater. Please refer to your local codes for the snow level in your area.



Terminal positions

figure 15

Ref	Description	Canadian Installations - Direct Vent and non Direct Vent	US Installations Direct Vent	US Installations non Direct Vent
A	Clearance above grade, veranda, porch, deck, or balcony	12 inches (30 cm)	12 inches (30 cm)	12 inches (30 cm)
B	Clearance to window or door that may be opened	6 inches (15 cm) for appliances \leq 10,000 Btuh (3 kW), 12 inches (30 cm) for appliances $>$ 10,000 Btuh (3 kW) and \leq 100,000 Btuh (30 kW), 36 inches (91 cm) for appliances $>$ 100,000 Btuh (30 kW)	6 inches (15 cm) for appliances \leq 10,000 Btuh (3 kW), 9 inches (30 cm) for appliances $>$ 10,000 Btuh (3 kW) and \leq 50,000 Btuh (30 kW), 12 inches (91 cm) for appliances $>$ 50,000 Btuh (30 kW)	4 feet (1.2 m) below or to side of opening; 1 foot (300 mm) above opening
C	Clearance to permanently closed window	*	*	*
D	Vertical clearance to ventilated soffit, located above the terminal within a horizontal distance of 2 feet (61 cm) from the center line of the terminal	*	*	*
E	Clearance to unventilated soffit	*	*	*
F	Clearance to outside corner	*	*	*
G	Clearance to inside corner	*	*	*
H	Clearance to each side of center line extended above meter/regulator assembly	3 feet (91 cm) within a height 15 feet (4.5 m) above the meter/regulator assembly	*	*
I	Clearance to service regulator vent outlet	36 inches (91 cm)	*	*
J	Clearance to nonmechanical air supply inlet to building or the combustion air inlet to any other appliance	6 inches (15 cm) for appliances \leq 10,000 Btuh (3 kW), 12 inches (30 cm) for appliances $>$ 10,000 Btuh (3 kW) and \leq 100,000 Btuh (30 kW), 36 inches (91 cm) for appliances $>$ 100,000 Btuh (30 kW)	6 inches (15 cm) for appliances \leq 10,000 Btuh (3 kW), 9 inches (30 cm) for appliances $>$ 10,000 Btuh (3 kW) and \leq 50,000 Btuh (30 kW), 12 inches (91 cm) for appliances $>$ 50,000 Btuh (30 kW)	4 feet (1.2 m) below or to side of opening; 1 foot (300 mm) above opening
K	Clearance to a mechanical air supply inlet	6 feet (1.83 m)	3 feet (91 cm) above if within 10 feet (3 m) horizontally	3 feet (91 cm) above if within 10 feet (3 m) horizontally
L	Clearance above paved sidewalk or paved driveway located on public property	7 feet (2.13 m) [1]	*	7 feet (2.13 m)

[1] A vent shall not terminate directly above a sidewalk or paved driveway that is located between two single family dwellings and serves both dwellings.

[2] Permitted only if veranda, porch, deck, or balcony is fully open on a minimum of two sides beneath the floor.

* For clearances not specified in ANSI Z223.1/NFPA 54 or CSA B149.1, clearances are in accordance with local installation codes and the requirements of the gas supplier.

clearances of venting system terminals

table 6

 NOTICE

See Boiler Applications manual for additional venting information.

 NOTICE

Terminals should be positioned as to avoid products of combustion entering openings into buildings or other vents.

 CAUTION

Maintain 12" of clearance above the highest anticipated snow level or grade or, whichever is greater. Please refer to your local codes for the snow level in your area.

 CAUTION

The termination shall be at least 4 feet (1,220 mm) for the US and 6 feet (1,830 mm) for Canada distance from electric meters, gas meters, regulators and relief equipment. (for room air application only)

 NOTICE

Horizontal vent systems should always be installed sloping towards the boiler (min. 21 mm/m, 1/4"/feet), in order to avoid condensate retaining in the vent system. With the condensate running back to the boiler the risk of ice forming at the terminal is reduced.

 NOTICE

The whole route of the vent system must be installed upwards, never downwards, completely nor partly.

 NOTICE

Place pipe supports every 4 feet (1219 mm) of horizontal run, beginning with the support near the boiler to prevent movement in fittings and allow boiler to be free from any strain or weight on boiler or fittings.

 NOTICE

The terminal should be located where dispersal of combustion products is not impeded and with due regard for the damage or discoloration that might occur to building products or vegetation in the vicinity (see fig 15 and 16).

 NOTICE

In certain weather conditions condensation may also accumulate on the outside of the air inlet pipe. Such conditions must be considered and where necessary insulation of the inlet pipe may be required.
In cold and/or humid weather water vapor may condense on leaving the vent terminal. The effect of such 'water condensation' must be considered.

The terminal must be located in a place not likely to cause a nuisance.

Use the Instructions of the Rinnai venting system for installation and service.

Cellular or Foam core PVC, CPVC and Radel is not permitted for use with the boiler.

 NOTICE

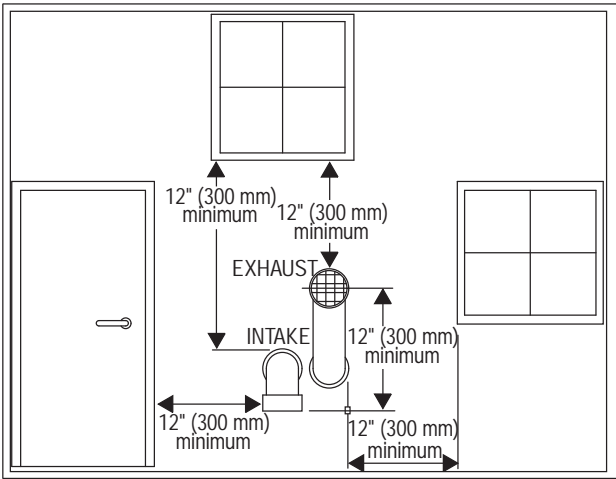
The application of any type of insulation is prohibited for use with any Plastic venting system.

Item Description	Flue Material	Approval Codes for Installation	
		United States	Canada
Plastic Vent and/or air pipes and fittings	PVC Schedule 40	ANSI/ASTM D1785	ULC S636
	PVC - DWV	ANSI/ASTM D2665	
	CPVC Schedule 40	ANSI/ASTM F441	
	PVC	ANSI/ASTM D2564	
Plastic Pipe cement and primer	CPVC	ANSI/ASTM F493	

Item Description	Flue Material	Manufacturer	Approval code US/CAN	Flue system
Stainless steel vent systems	Stainless Steel	Heat Fab	UL1738 Concentric twin pipe	Saf-T Vent SC Saf-T Vent EZ Seal
Stainless steel vent systems	Stainless Steel	Simpson Dura-Vent	UL1738 Flexible liner UL1738 Concentric twin pipe	FastNSeal Flex FastNSeal
Stainless steel vent systems	Stainless Steel	Ubbink		Rolux Condensing Vent System
Plastic Vent System	PPS	Ubbink	ULC S636	Rolux Condensing Vent System
Plastic Vent System	PVC/CPVC	IPEX	ULC S636	System 636
Plastic Vent System	PPS	Centrotherm	ULC S636 and UL 1738	Innoflue

Approval codes for installation of venting system

table 7



Terminal positions PVC

figure 16

Fittings or Piping Equivalent PVC		
	feet	m
45 degree elbow	3	0.91
90 degree elbow	6	1.83
plastic pipe per foot	1	0.30
concentric vent kit	3	0.91

Equivalent friction loss of PVC/CPVC table 8

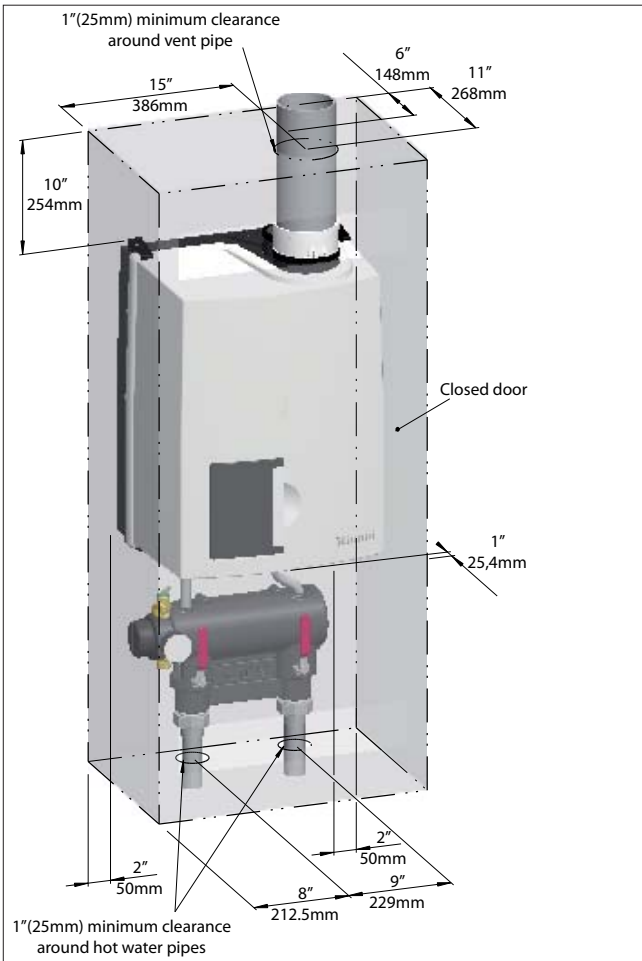
6.7.5 Direct vent closet and alcove installation



WARNING

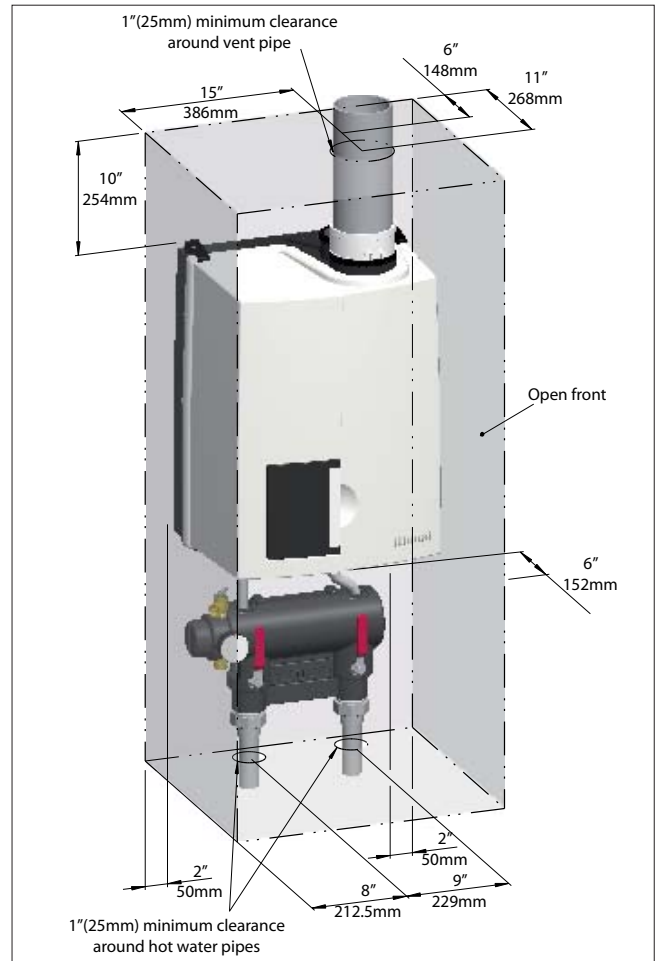
For closet and alcove installation, CPVC material, instead of PVC, must be used in a closet/alcove structure. Failure to follow this warning could result in fire, personal injury, or death.

Rinnai strongly suggests the use of concentric venting for all closet and alcove installations. For non direct vent room air applications see sections 6.7.6 and 6.7.9.



Closet installation

figure 17



Alcove installation

figure 18

6.7.6 Dimensioning of the exhaust and air intake duct

DANGER

The wall mounted boiler must be vented and supplied with combustion and ventilation air as described in this section.

Ensure the vent and air piping and the combustion air supply comply with these instructions regarding vent system, air system, and combustion air quality.

Inspect finished vent and air piping thoroughly to ensure all are airtight and comply with the instructions provided and with all requirements of applicable codes.

Failure to provide a properly installed vent and air system may cause severe personal injury or death.

WARNING

Use only the material listed in Rinnai's vent documentation for vent pipe, and fittings. Failure to comply could result in severe personal injury, death or substantial property damage.

NOTICE

Installation must comply with local requirements and with the National Fuel Gas Code, ANSI Z223.1 for U.S installations or CSA B 149.1 for Canadian installations.

WARNING

For closet and alcove installation, CPVC material (instead of PVC) must be used in a closet/alcove structure. Failure to follow this warning could result in fire, personal injury, or death.

NOTICE

All vent pipes must be connected and properly supported, and the exhaust must be pitched a minimum of a 1/4"/foot (21 mm/m) back to the boiler (to allow drainage of condensate). Please refer to the venting manufacturer's manual to see if a larger pitch is required for specific venting systems. The venting system manufacturer's required venting pitch must always be followed if larger than 1/4" (21 mm). Ubbink concentric condensing venting requires a pitch of 3/4"/foot (6mm/m).

NOTICE

Combustion air piping from the outside **MUST** comply to the requirements of the authority having jurisdiction or, in the absence of such requirements, to the latest edition of the National Fuel Gas Code, ANSI Z223.1/NFPA 54. In Canada, installation must be in accordance with the requirements of CAN/CSA B149.1, Natural Gas and Propane Installation Code.

NOTICE

See the Rinnai Boiler Applications Manual for further information on venting.

6.7.7 Combustion air and vent piping lengths.

In the table below you will find the maximum equivalent pipe length of the vent/air system based on 3" diameter. These lengths are for single pipe (room air), twin pipe, and concentric venting systems.

Boiler type	3" Max Vent equivalent length	3" Max Air equivalent length
E75	100 feet	100 feet
E110	100 feet	100 feet

Equivalent vent length

table 9

Calculation of equivalent length vent system

Choose the vent type and fill out the corresponding table.

* When determining equivalent combustion air and vent length, add 6 feet for each 90° elbow, 3 feet for each 45° elbow, 5 feet for the concentric terminal in the Parallel System, 2 feet for the concentric terminal in the Concentric System and 12 feet for the combustion room air filter.

Parallel system

Length tube	Number of elbows 90° x 6*	Number of elbows 45° x 3*	Concentric terminal Add 5 ft.*	Total	Multiply with factor	Equivalent length
Combustion air						
ft	ft	ft	ft	ft	0.5	ft
Vent						
ft	ft	ft	ft	ft	0.5	ft
Total equivalent length						<u>ft</u>

Concentric system

Length concentric tube, boiler to roof horizontal	Number of elbows 90° x 6*	Number of elbows 45° x 3*	Concentric terminal Add 2 ft.*	Total	Multiply with factor	Total equivalent length
ft	ft	ft	ft	ft	1.0	ft

Example of calculation:

Twin tube (parallel) with terminal

Combustion air length : 24 ft with elbow 3 x 90°

Vent length : 24 ft with elbow 2 x 90°, elbow 2 x 45°

Calculation:

Equivalent Air Length : $(24+3 \times 6+2) \times 0.5 = 23 \text{ ft}$

Equivalent Vent Length : $(24+2 \times 6+2 \times 3+2) \times 0.5 = 23 \text{ ft} + \text{Total} = 46 \text{ ft.}$

6.7.8 Calculation of compensation factor

The compensation factor eliminates or reduces the natural effect of derate of maximum input caused by the resistance of the vent system and/or the impact of the altitude.

1. Determine the Compensation Factor Vent System CF(V) in the table below.

Eq. length (ft)		Boiler type	
min	max	E75	E110
0	10	0	0
11	20	0	0
21	30	0	2
31	40	1	4
41	60	2	6
61	80	3	8
81	100	4	10

Compensation factor vent system CP(V) table 10

2. Determine the Compensation Factor Altitude CF(A) in the table below.

Altitude (ft)		Boiler type
min	max	E75, E110
0	1	0
1,000	2,000	6
2,000	3,000	12
3,000	4,000	18
4,000	5,000	24
5,000	6,000	30
6,000	7,000	36
7,000	8,000	42
8,000	9,000	48
9,000	10,000	54

Compensation factor altitude CP(A) table 11

NOTICE

Any application or installation above 10,000 must be reviewed by Rinnai's Engineering group. This is to ensure the product is installed and the overall system is designed properly and that the units are commissioned properly. Not involving of Rinnai's Engineering group would result in no support of the product and no warranty.

3. Calculate the Compensation Factor Total CF(T):

$$CF(T) = CF(V) + CF(A)$$

The result is the setting for Parameter 73.

Change parameter 73 according to this result. See Chapter 10.1 how to change parameters.

Example of calculation:

E110

Eq. length vent system (taken from previous example) 46 ft

Altitude 7,200ft

CF(V) = 6

CF(A) = 42 +

CF(T) = 48

Parameter setting (Par. 73) = 48

WARNING

Do not overcompensate the boiler by setting a higher value than calculated, otherwise the boiler could be damaged.

6.7.9 Room Air System (indoor combustion air)

When using indoor air, Rinnai strongly recommends the use of an indoor air filter, P/N 808000025.



WARNING

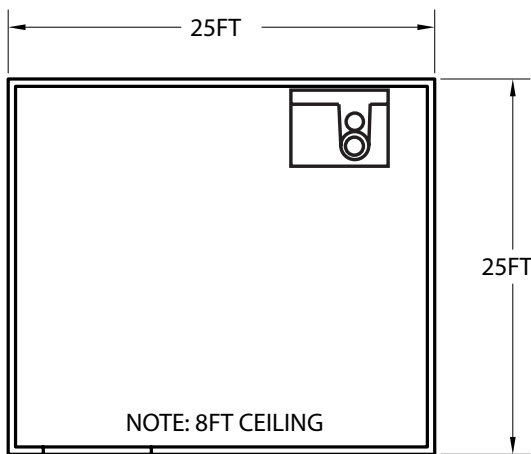
This boiler requires adequate combustion air for ventilation and dilution of flue gases. Failure to provide adequate combustion air can result in unit failure, fire, explosion, serious bodily injury or death. Use the following methods to ensure adequate combustion air is available for correct and safe operation of this boiler.

Important: Combustion air must be free of corrosive chemicals. Do not provide combustion air from corrosive environments. Appliance failure due to corrosive air is not covered by the limited warranty.

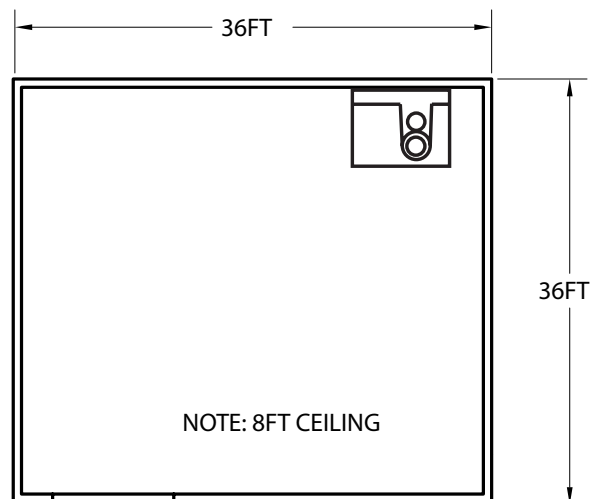
Combustion air must be free of acid forming chemical such as sulfur, fluorine and chlorine. These chemicals have been found to cause rapid damage and decay and can become toxic when used as combustion air in gas appliances. Such chemicals can be found in, but not limited to bleach, ammonia, cat litter, aerosol sprays, cleaning solvents, varnish, paint and air fresheners. Do not store these products or similar products in the vicinity of this boiler.

Unconfined Space:

An unconfined space is defined in NFPA #54 "as a space whose volume is not less than 50 cubic feet per 1000 Btu/hr (4.8 m³ per kW per hour) of the aggregate input rating of all appliances installed in that space. Rooms communicating directly with the space in which the appliances are installed, through openings not furnished with doors, are considered a part of the unconfined space." If the "unconfined space" containing the appliance(s) is in a building with tight construction, outside air may still be required for proper operation. Outside air openings should be sized the same as for a confined space.



Unconfined Space
91,300 BTU Boiler



Unconfined Space
200,000 BTU Boiler

Unconfined space

figure 19

Confined Space:

(Small Room, Closet, Alcove, Utility Room, Etc.)

A confined space is defined in the NFPA #54 as "a space whose volume is less than 50 cubic feet per 1000 Btu/hr (4.8 m3 per kW per hour) of the aggregate input rating of all appliances installed in that space." A confined space must have two combustion air openings. Size the combustion air openings based on the BTU input for all gas utilization equipment in the space and the method by which combustion air is supplied:

- Using indoor air for combustion
- Using outdoor air for combustion

Louvers and Grills

When sizing the permanent opening as illustrated in figure 17, consideration must be taken for the design of the louvers or grills to maintain the required free area required for all gas utilizing equipment in the space. If the free area of the louver or grill design is not available, assume wood louvers will have 25% free area and metal louvers or grills will have 75% free area. Under no circumstance should the louver, grill or screen have openings smaller than 1/4".

Example:

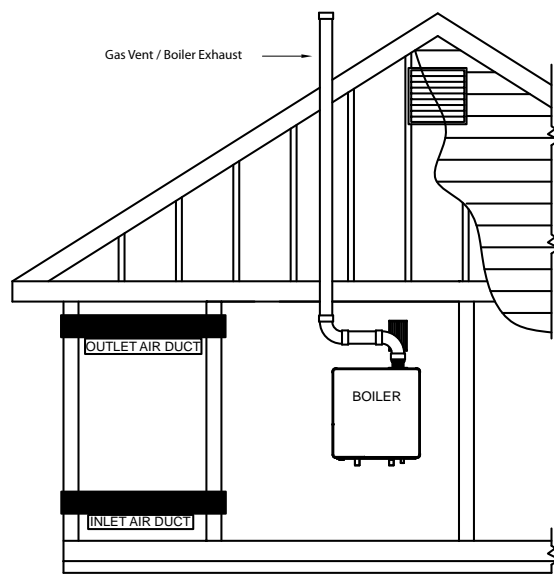
Wood: 10 in x 12 in x 0.25 = 30 in²

Metal: 10 in x 12 in x 0.75 = 90 in²

Location

To maintain proper circulation of combustion air two permanent openings (one upper, one lower) must be positioned in confined spaces. The upper shall be within 12 inches of the confined space and the lower opening shall be within 12 inches of the bottom of the confined space. Openings must be positioned as to never be obstructed.

Combustion air provided to the boiler should not be taken from any area of the structure that may produce a negative pressure (i.e. exhaust fans, powered ventilation fans).



Louvers and grills

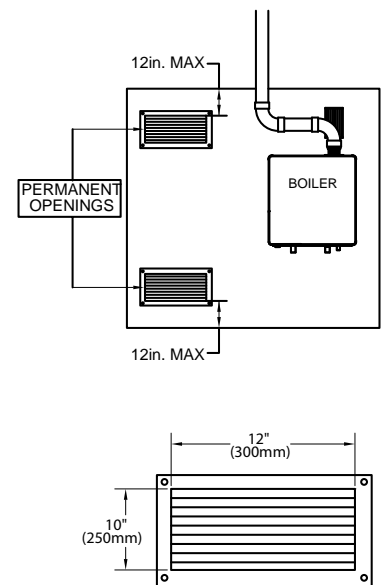


figure 20

Using Indoor Air For Combustion

When using air from other room(s) in the building, the total volume of the room(s) must be of adequate volume (Greater than 50 cubic feet per 1000 Btu/hr). Each combustion air opening must have at least one square inch of free area for each 1000 Btu/h, but not less than 100 square inches each.

Using Outdoor Air For Combustion

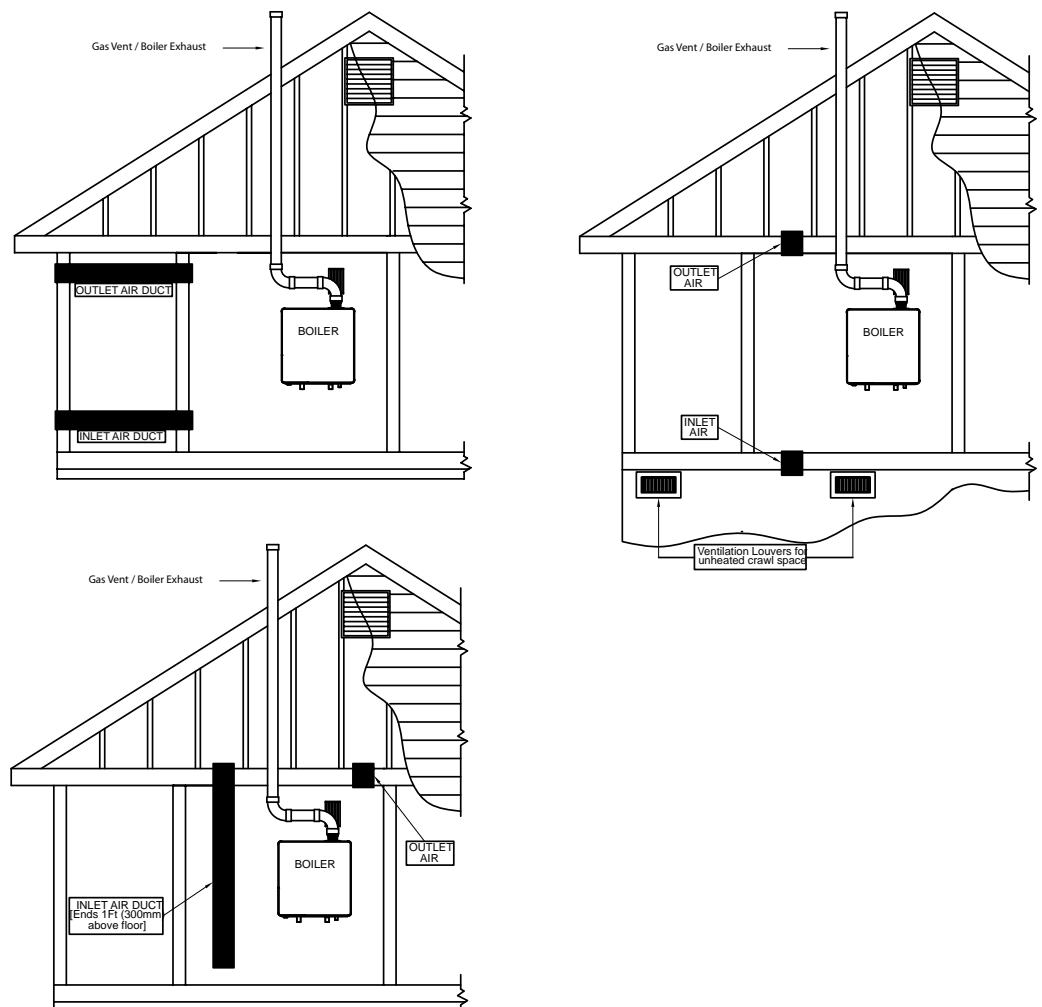
Outdoor air can be provided to a confined space through two permanent openings, one commencing within 12 in. (300mm) of the top and one commencing within 12" (300mm) of the bottom, of the confined space. The openings shall communicate to the outside by one of two ways:

- directly through horizontal ducts
- indirectly through vertical ducts

When communicating directly with the outdoors through horizontal ducts, each opening shall have a minimum free area of 1 in²/2000 Btu/hr (1100 mm²/kW) of total input rating of all appliances in the confined space.

Note: If ducts are used, the cross sectional area of the duct must be greater than or equal to the required free area of the openings to which they are connected.

When communicating indirectly with the outdoors through vertical ducts, each opening shall have a minimum free area of 1 in²/4000 Btu/hr (550 mm²/kW) of total input rating of all appliances in the confined space. Combustion air to the appliance can be provided from a well ventilated attic or crawl space.



Louvers and grills

figure 21

7 Electrical connections

The electrical connections to the boiler must be electrically grounded in accordance with all applicable local codes and the latest revision of the National Electrical Code, ANSI/NFPA-70. Installations should also conform with CSA C22.1 Canadian Electrical Code Part 1 if installed in Canada.

Devices such as, outdoor sensor, room thermostat or temperature control, and temperature sensor or thermostat are all connected to the internal connection terminal. The connection terminal is situated behind the Control Tower.

Connecting incoming power

Install a 120V main switch next to the boiler as service main switch of the boiler. Lead the cable through the back part of the boiler using a strain relief and lead the cable through the cable supports to the Control Tower. Use a step drill bit to create a knockout in the grey plastic cover of the boiler for a strain relief. Connect a power supply cable to the cable harness terminal strip that connects to both the power switch on the front of the Control Tower and the terminal strip with positions 1, 2, and 3 on the inside of the Control Tower.



The boiler must be electrically grounded in accordance with local codes, or in absence of local codes, with the National Electrical Code, ANSI/NFPA 70 and/or the CSA C22.1, Electrical Code.



RISK OF ELECTRIC SHOCK.

Once the main power supply is on then there is 120V on terminals 1 to 12 when the main switch next to the boiler is switched on.



- No changes may be made to the wiring of the boiler;
- All connections should be designed in accordance with the applicable regulations;
- Label all wires prior to disconnection when servicing controls. Wiring errors can cause improper and dangerous operation.
- Verify proper operation after operation servicing.



i NOTICE

The Rinnai room thermostat and controls must be connected to their allocated connections. All other types or makes of room thermostats or controls which are used must have a Volt free contact.

When using an on/off thermostat or control, it may be necessary to calibrate the anticipating resistance to prevent too high temperature fluctuations. As a standard rule this means mercury thermostats. This resistance wire is present in the Control Tower and must be connected to terminals 23 and 27. The anticipating resistance in the room thermostat has to be set at 0.11 A.

For more detailed questions regarding the components which are not supplied, the distributor should be contacted.

i NOTICE

When wiring an RS100 it is suggested that a jumper be placed on terminals 22 and 23 so that in the event the control is damaged the boiler will still fire based on outdoor reset.

A jumper should also be used when commissioning or trouble shooting the boiler.

i NOTICE

Power stealing thermostats cannot be connected to terminals 22 and 23.

Connection terminal E-Series																										
120 V~ Power supply			120 V~			120 V~			120 V~			8U.35.60.00	Cylinder connection				Outside sensor		Bus Controller		Room therm. On / Off		External safety contact		24 V~ 100 mA	
N	L		N	L		N	L		N	L			CH	DHW	N				A	B						
1	2	3	4	5	6	7	8	9	10	11	12		13	14	15	16	17	18	19	20	21	22	23	24	25	26
main power supply			120 Volts Rinnai only			120 Volts Rinnai only			120 Volts Rinnai only			internal or external three-way valve motor and tank sensor				ARV12 outdoor sensor		Bus room thermostat RS100		On/off thermostat or control (Volt free)		External safety contact				

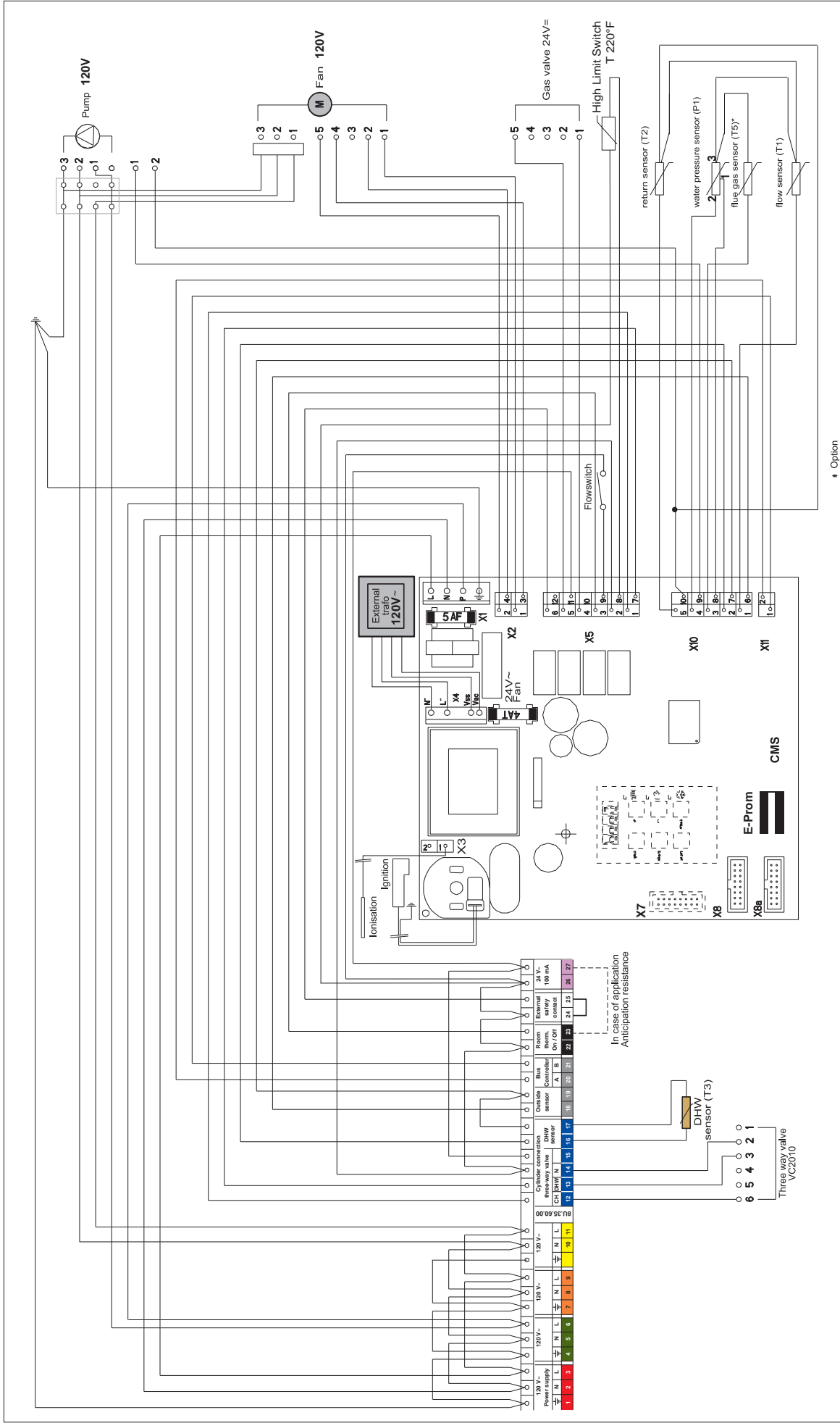
CAUTION

CAUTION

Terminals 4 to 11 are for Rinnai use only and not for use in any installation.

Connection terminal

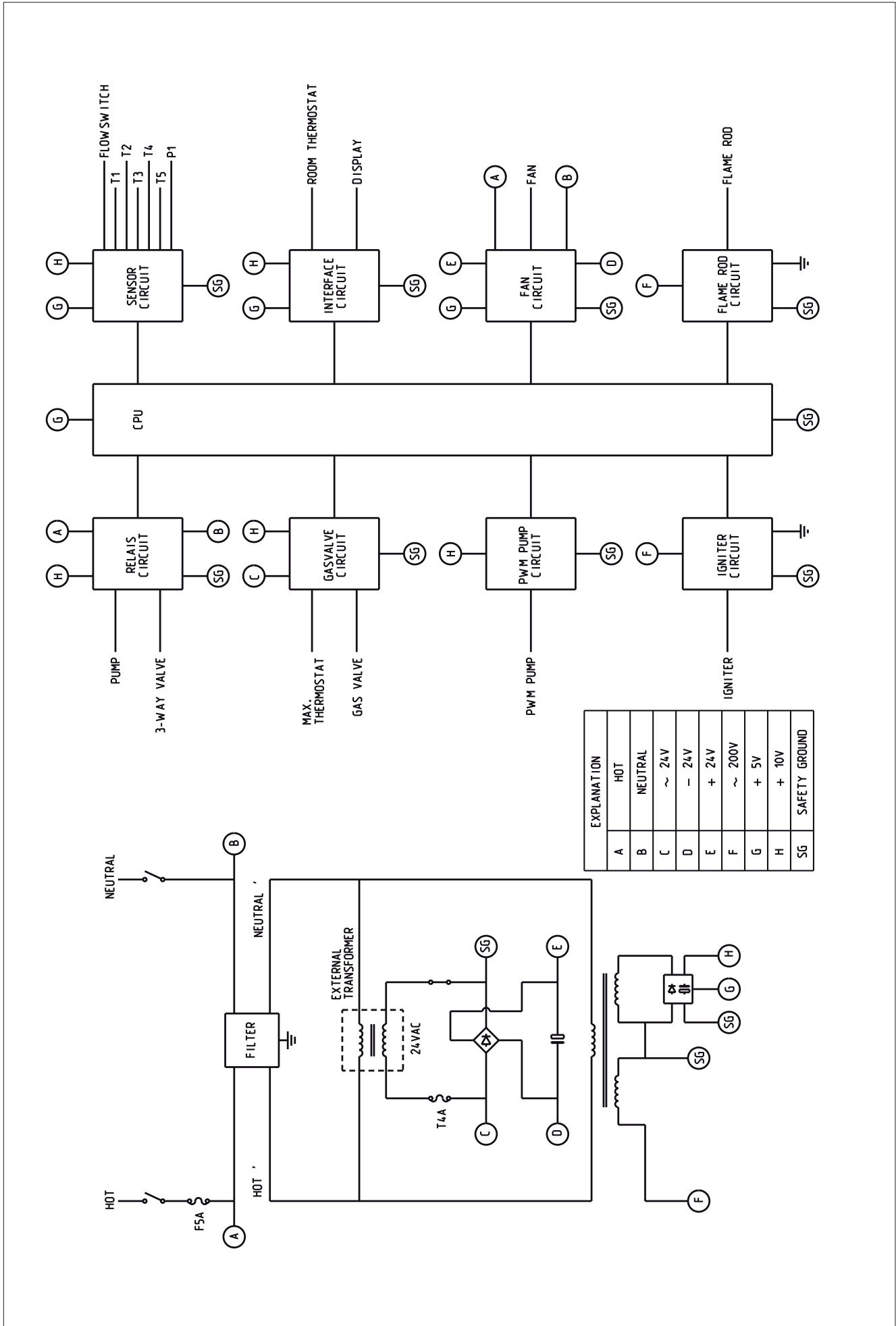
figure 22



⚠ CAUTION Label all wires prior to disconnection when servicing or replacing controls. Wiring errors can cause improper and dangerous operation

electrical diagram

figure 23



EXPLANATION	
A	HOT
B	NEUTRAL
C	~ 24V
D	- 24V
E	+ 24V
F	~ 200V
G	+ 5V
H	+ 10V
SG	SAFETY GROUND

figure 23a

8 Boiler controls

The boiler is provided with a fully automatic microprocessor control, called CMS Control Management System. This control simplifies operation by undertaking all major control functions. Initially when power to the unit is switched on it will remain on standby. There is no indication LED on, until one of the program buttons is pressed. The control panel display will show the relevant state. When the boiler installation is empty the display will show FILL.

The various parameters can be called up in two ways:

The Good-state or standard read out

The first way shows a simple display read out.

The boiler in operation will always show 'Good'. When a message is necessary this will be shown instead of Good.

Example

Technical read out

The second way is a technical read out. In normal situations the following will be shown:

- on the left the status in which the boiler is active;
- on the right the supply temperature in °F;

Alternately indicated by:

Example

- the water pressure in the installation in PSI.

When a message (error or blocking code) is necessary this will be shown instead of the technical read out.

NOTICE

To switch over from the Good-state to the Technical read out (and vice versa):
- Press the STEP-button for 5 seconds.

When the system has been filled the automatic de-aeration program starts, when a program has been selected, by pressing the button for Central Heating, DHW or pump program (or or). The program takes 17 minutes and stops automatically. After this the unit will function normally. (See also 'Filling and de-aerate the boiler and installation, chapter 9).

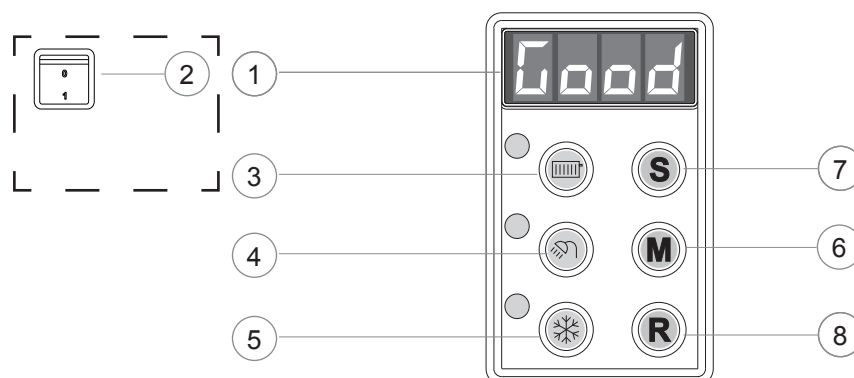
On a call for heating or hot water the control system will select the required water control temperature. This water temperature is called the T-set value. On a call for central heating the boiler ignites first at low input. The input is then changed slowly to match the load required. The boiler operates in this way to avoid excessive water noises and temperature overshoot. On a call for domestic hot water supply the T-set value of central heating return water temperature is monitored. Depending on the amount of domestic water which is withdrawn from the DHW facility, the central heating return water temperature, from which the input is adjusted, will vary.

Operation indication

(in the first display position by technical read out)

- | | |
|--|--|
| | No heat demand |
| | Fan pre/post purge |
| | Ignition phase |
| | Burner active on central heating |
| | Burner active on DHW |
| | Fan check |
| | Burner off when room thermostat is demanding or burner off when DHW is calling |
| | Pump overrun phase for central heating |
| | Pump overrun phase for hot water |
| | Burner off because of to high flow temperature |
| | Automatic de-aeration program |

8.1 Explanation of the function buttons



Boiler control panel

figure 24

NOTICE

Only licensed professionals who are trained for servicing these boilers are permitted to make alterations in the controller to calibrate the boiler to the installation.



- 1. Display.** See previous page for further information.
- 2. ON-OFF Switch (Placed separately next to the boiler)**
This switch turns the power supply to the boiler on or off.

CAUTION

Only turn the boiler off using this switch, when the burner is off..



- 3. Central Heating program button.**
Switching the Central Heating on or off (LED on/off);
- 4. Hot Water program button.**
Switching the Domestig Hot Water (DHW) facility on or off (LED on/off);
- 5. Pump program button.**
adjusts the pump to continuous water circulation in the central heating system (LED on), or according to the pump overrun times on the relevant programs (LED off);

NOTICE

When the pump is switched on continuously it can lead to undesired heating up of the central heating system during the summer.

- 6 Mode-button.**
*After briefly pressing, a selection of the data chapters can be retrieved.
After pressing for 5 seconds it is possible to enter the code as described in chapter 11.3;*
- 7 Step-button.**
*After briefly pressing, the water pressure can be retrieved and pages per chapter can be retrieved.
After pressing for 5 seconds it switches from the Good-state to technical read out and vice versa;*
- 8 Reset-button.**
After briefly pressing, for:
 - unlocking errors;
 - ending the access code;*After pressing for 5 seconds an operating stop is made, for example, for activating the automatic venting program.*

Some buttons have other functions. These functions are only active according to the procedure described in chapter 10, adjustment has to be changed or data must be retrieved from the CMS. The other functions are:

- Central Heating program button : **+** function;
- Hot Water program button: **-** function;
- Pump program button : store-function, which means that by means of this button a modified setting is confirmed;
- Step-button: scrolling in a data chapter.

9 Starting up: Filling and de-aerating the boiler and installation



CAUTION

CAUTION

Observe the following rules of safety:

- All work on the unit must take place in a dry environment.
- Rinnai units may never be in operation without their housing, except in connection with maintenance or adjustments (see Chapter 12 and 13).
- Never allow electrical or electronic components to come into contact with water.



NOTICE

NOTICE

Carry out the following tasks in connection with maintenance, etc. to an already-installed unit:

- Shut down all programs
- Close the gas shut off valve
- Shut off the power at the main power switch
- Close the service valves (system supply and return)



NOTICE

NOTICE

Take note of the following when maintenance or adjustments are needed:

- The unit must be able to function during these activities; for this reason, the unit's supply voltage, gas pressure and water pressure must be maintained. Ensure that this is not a source of potential danger during these activities.



WARNING

Following maintenance or other activities; always check the installation of all parts through which gas flows (with bubble test using leak-search spray).

9.1 Requirements of the water system

Before filling the heating system, the complete system, including all zones, must be thoroughly cleaned and flushed to remove sediment. Flush until clean water runs free of sediment. Rinnai suggests using an approved system cleaner to flush the system, but not the boiler. Always use Rinnai approved antifreezes. See the list at the end of this chapter. Never use reverse osmosis, D.I., or distilled water for filling the heating system.



WARNING

Do not use petroleum-based cleaning or sealing compounds in the boiler system. Damage of seals and gaskets in boiler and system could occur, resulting in property damage.

The central heating installation needs to be filled with potable water.



WARNING

Use only potable water or approved glycol for filling the heating system. When the water hardness of the filling water exceeds > 10.5 gpg (200 mg/L) and the volume of the installation > 20L/kW (5.2 gallons/3,412 BTU) the water has to be treated until below the maximum value of 10.5 gpg (200 mg/L). The pH value of the installation water must be between 6.5 and 8.5.

Check the pH value using proper equipment or by having the water analyzed by a water treatment company.

If pH differs from above, contact Rinnai engineering for further assistance.



NOTICE

Component or product damage as a result of failing to adhere to the water quality requirements will not be covered by the limited warranty.

Freeze protection

Freeze protection for new or existing systems must use glycol that is specially formulated for this purpose. This includes inhibitors, which prevent the glycol from attack the metallic components. This should be for multi-metallic components. Make certain to check that the system fluid is correct for the glycol concentration and inhibitor level. The system should be tested at least once a year and as recommended by the producer of the glycol solution. The allowed maximum concentration is 50%.

 NOTICE

Use only Rinnai approved inhibitors. See below for an approved list of inhibitors.

 WARNING

Use only inhibited propylene glycol solutions, which are specially formulated for central heating systems. Ethylene glycol is toxic and can attack gaskets and seals used in the boiler and system. Approved glycols are listed below.

 NOTICE

Additives in the installation water are not permitted.

Approved antifreeze: (max. concentration 50%)
• Rhomar RhoGard Mutli-Metal (AL safe)
• Noble Noburst AL
• Sentinel X500
• Fernox Alphi 11

Approved system cleaner:
• Noble Noburst Hydronic System Cleaner
• Rhomar Hydro-Solv 9100
• Fernox F3 Cleaner
• Sentinel X400

 NOTICE

The system cleaners from NoBurst, Rhomar, and Fernox are not to be used in the boiler. The boiler must be closed off (valved off) from the rest of the system or not connected while the cleaners are in the system. The system should then be drained and then thoroughly flushed with clean water to remove all the system cleaner.

Approved inhibitors:
• Rhomar Pro-tek 922
• Noble Noburst AL inhibitor
• Sentinel X100

9.2 Filling the heating system

For filling or topping off the installation you use the filling loop according to the following procedure:

1 Switch on the power supply;



2 The display will show FILL;



3 All functions off (heating , DHW  and pump 



4 Push briefly the 'STEP'-button: P XX (XX = water pressure in PSI);

5 Open the filling loop (Indication on display increases);



6 Fill up slowly to 16 to 18 PSI (1.1 and 1.3 bar);



7 STOP appears on the display;

8 Close the filling loop;

9 De-aerate the complete installation, start at the lowest point;

10 Check the water pressure and if necessary top it up;

11 Close the filling loop;



12 Activate the functions in use (heating , DHW  and/or pump 

A XX

13 If A XX appears on the display, wait for 17 minutes;

14 Check the water pressure and if necessary top it up to 16 to 18 PSI (1.1 and 1.3 bar)

15 Close the filling loop;



16 Press the 'STEP'-button;

17 Be sure that the filling loop is closed.

A XX

Good 0 XX

18 After the automatic de-aeration program (A XX) is finished the boiler will return to the Good state or Technical read out.

Check the water pressure regularly and top off the installation when necessary. The working pressure of the installation should be between 16 and 18 PSI (1.1 and 1.3 bar) when the system is cold.



NOTICE

It can take a while before all air has disappeared from a filled installation. Especially in the first week noises may be heard which indicate the presence of air. The automatic air vent in the boiler will remove this air, which means the water pressure can reduce during this period and therefore topping off with water will have to be done.

During normal use the following messages can occur with the necessary follow up:

FILL

Water pressure is too low (<10 PSI / 0.7 bar), FILL indication remains continuously visible, the boiler is taken out of operation. The installation needs to be topped off.



Water pressure is too low (<12 PSI / 0.8 bar), flashing FILL will alternate with indication of water pressure, boiler power of 50% is possible. The installation needs to be topped off.

HIGH

Water pressure is too high (>42 PSI / 3 bar), if HIGH indication remains continuously visible, the boiler is taken out of operation. The installation pressure needs to be decreased by draining water.

9.3 Hot water supply

Apply the water pipe pressure to the DHW facility (open main valve and/or stop valve of the safety group).



Vent the DHW facility and the hot water installation by opening a hot water shut off valve. Leave the shut off valve open for as long as required until all air has disappeared from the DHW facility and the pipes and only water is flowing from the shut off valve.

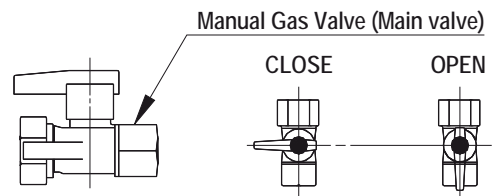
FOR YOUR SAFETY READ BEFORE OPERATING

WARNING: If you do not follow these instructions exactly, a fire or explosion may result causing property damage, personal injury or loss of life.


- A. This appliance does not have a pilot. It is equipped with an ignition device which automatically lights the burner. Do **NOT** try to light the burner by hand.
- B. **BEFORE OPERATING** smell all around the appliance area for gas. Be sure to smell next to the floor because some gas is heavier than air and will settle on the floor.
- WHAT TO DO IF YOU SMELL GAS**
- Do **NOT** try to light any appliance.
 - Do **NOT** touch any electrical switch.
 - Do **NOT** use any phone in your building.
 - Immediately call your gas supplier from a neighbor's phone. Follow the gas supplier's instructions.
 - If you cannot reach your gas supplier, call the fire department.
- C. Use only your hand to push in or turn the gas control knob. Never use tools. If the knob will not push in or turn by hand, don't try to repair it, call a licensed professional. Force or attempted repair may result in a fire or explosion.
- D. Do not use this appliance if any parts have been under water. Immediately call a licensed professional to inspect the appliance and to replace any part of the control system and any gas control which has been under water.

OPERATING INSTRUCTIONS

1. **STOP!** Read the safety information above this label.
2. Turn off all electrical power of the appliance.
3. Set the thermostat or other operating control to the lowest setting.
4. This appliance is equipped with an ignition device which automatically lights the burner. Do **NOT** try to light the burner by hand.
5. Close main gas shut off valve. 
6. Wait (5) minutes to clear out any gas. Then smell for gas. Including near the floor. If you smell gas, **STOP!** Follow "B" in the safety information above on this label. If you don't smell gas, go to the next step.
7. Open main shut off valve. 
8. Set the thermostat or other operation control to desired setting.
9. Turn on all electric power to the appliance.
10. If the appliance will not operate, follow the instructions "To Turn Off Gas To Appliance" and call your service technician or gas supplier.



TO TURN OFF GAS TO APPLIANCE

1. Turn off all electric power to the appliance if service is to be performed.
2. Set the thermostat or other operating control to the lowest setting.
3. Close main gas shut off valve. 

8U.34.01.01 / 11.12

10 Adjustments

When the boiler is installed the software has already been pre-programmed at the factory. All software adjustments of the boiler control are already pre-programmed for a heating system with radiators/convectors with a supply temperature of 176°F. The adjustments are described in the Parameter chapter on the following page.

In certain cases parameters have to be altered in case of :

- Lower supply temperature
- High altitude/long vent length
- Minimum supply temperature



CAUTION

The venting / altitude calculation must always be performed during commissioning of the boiler.

Read through the Parameter chapter to adjust the boiler to its installation.
Contact Rinnai in case of doubt.



NOTICE

Only licensed professionals who are trained for servicing these boilers are permitted to make alterations in the controller to calibrate the boiler to the installation.

10.1 Altering adjustments

STEP 1

Press the Mode-button for 5 seconds.

The display shows COdE followed by an arbitrary number;

STEP 2

Press by means of the + or the - button until the code C123 is shown;

STEP 3

Press the STORE-button to confirm the code (code blinks 1 x).

Now you have access to the installer level. There are 4 chapters:

- **PARA** Parameters
- **INFO** Information chapter (no adjustments possible)
- **SERV** Service chapter
- **ERR0** Error-chapter (no adjustments possible)

The content of the chapters is described on the following pages.

STEP 4

Press briefly the MODE-button to select one of the 4 chapters, i.e. PARA;

STEP 5

Press briefly and release the STEP-button to select a Parameter

(parameter visible on the left, value on the right) ;

STEP 6

Alter the value, if necessary/possible, by means of the + or the - button

STEP 7

Press briefly on the STORE-button to confirm the alteration.

When you have to change more values, repeat from step 5.

STEP 8

Press once or more on the MODE-button until StBY or Good is shown:

After a few seconds the text StBY will be replaced by the technical read-out or Good-state (Depending from the position the access code is entered)

When you want to return from an arbitrary position to the original read out press once or more on the MODE-button until StBY is shown.



NOTICE

If no single button is used within 20 minutes the display will return automatically to its original read-out (Good state or technical read out)

Parameter Mode			
PARA	FACTORY	DESCRIPTION	RANGE
1	176°F	maximum supply temperature CH	68 - 176°F
2*	00	type of CH installation:	00 - 04
		No pre-selection made.	00
		Radiators, air heating, or convectors:	
		T max. supply 176°F K factor heating curve 2.3; gradient 10°F/min; gear differential 10°F	
			01 DO NOT USE
		radiators with large surface areas or underfloor heating as additional heating:	02
		T max. supply 158°F K factor heating curve 1.8; gradient 10°F/min; gear differential 10°F	
		under floor heating with radiators as additional heating:	03
		T max. supply 140°F; K factor heating curve 1.5; gradient 8°F/min; gear differential 8°F	
		full under floor heating:	04
		T max. supply 122°F; K factor heating curve 1.0; gradient 6°F/min; gear differential 6°F	
3	max.	maximum power CH in kW (.. x3415 = .. BTU/hr)	min-max
4*	00	control principal with on / off thermostat:	
		100 % on / off thermostat	00
		constant water circulation 22&23 closed contact day curve operation, open contact night curve operation	01
5*	2.3	heating curve K-factor (see also heating curve graph)	0.2 - 3.5
6*	1.4	heating curve exponent (see also heating curve graph)	1.1 - 1.4
7*	14°F	heating curve climate zone (see also heating curve graph)	-4 - 32°F
10*	0°F	fine adjustment heating curve day temperature	-8 to 10°F
11*	0°F	fine adjustment heating curve night temperature	-8 to 10°F
14	10°F/min.	gradient speed °F/min.	0 - 28°F/min.
15*	00	Booster after night decrease*:	
		no	00
		yes	01
23	26°F	Frost Temperature	-4 to 50°F
27	32°F	Minimum T-set CH	0 - 158°F
36	10	Type of three way valve and DHW facility	
		VC 2010 / VC 8010	x0
		Warming function plate heat exchanger ON	1x
		Warming function plate heat exchanger OFF	2x
43	max.	Maximum power DHW in kW (.. x3415 = .. BTU/hr)	min-max
49	100%	Maximum pump capacity heating	100 %
73	0	Altitude and venting CFT. See chapter 6.7.7	0 - 100
89	00	Address	
		No function	-01
		Bus thermostat	00
90	01	Display reading	
		°C and Bar	00
		°F and PSI	01

Info Mode			
INFO	FACTORY	DESCRIPTION	RANGE
1	°F	supply water temperature T1	
4	°F	return water temperature T2	
5	°F	DHW temperature T3	
7	°F	outdoor temperature T4	
8	°F	flue gas temperature T5 (optional sensor)	
16	%	actual power in %	
17	kW	actual power in kW (.. x3415 = .. BTU/hr)	
18	kW	actual load in kW (.. x3415 = .. BTU/hr)	
20		indication bus communication	
21	GJ	consumption total in GJ (.. x 33 = .. m3)	
22	GJ	consumption CH in GJ (.. x 33 = .. m3)	
23	GJ	consumption DHW in GJ (.. x 33 = .. m3)	
24	h	total number of burner run hours	
25	h	number of burner run hours CH	
26	h	number of burner run hours DHW	
32	h	total number of hours counter	
37	h	total number of run hours pump CH and DHW	
46	h	within how many hours is service required	

Service Mode			
SERV	VALUE	DESCRIPTION	RANGE
1	OFF	boiler in operation with burner function on	OFF - max.
2	OFF	fan adjustable and burner off	OFF - max.
3	OFF	pump adjustable with burner on	OFF - max.
4	OFF	showroom position ON = active and OFF = non active	ON - OFF

Error Mode		
ERRO	VALUE	DESCRIPTION
Err.L - Err.5		
1		Last saved error until 5 last previous errors
2		error code
3		operation status boiler
4	°F	supply water temperature T1
5	°F	return water temperature T2
6	kW	load (.. x3415 = .. BTU/hr)
7	%	pump capacity

Parameter-, Info-, Service- and Error-chapters

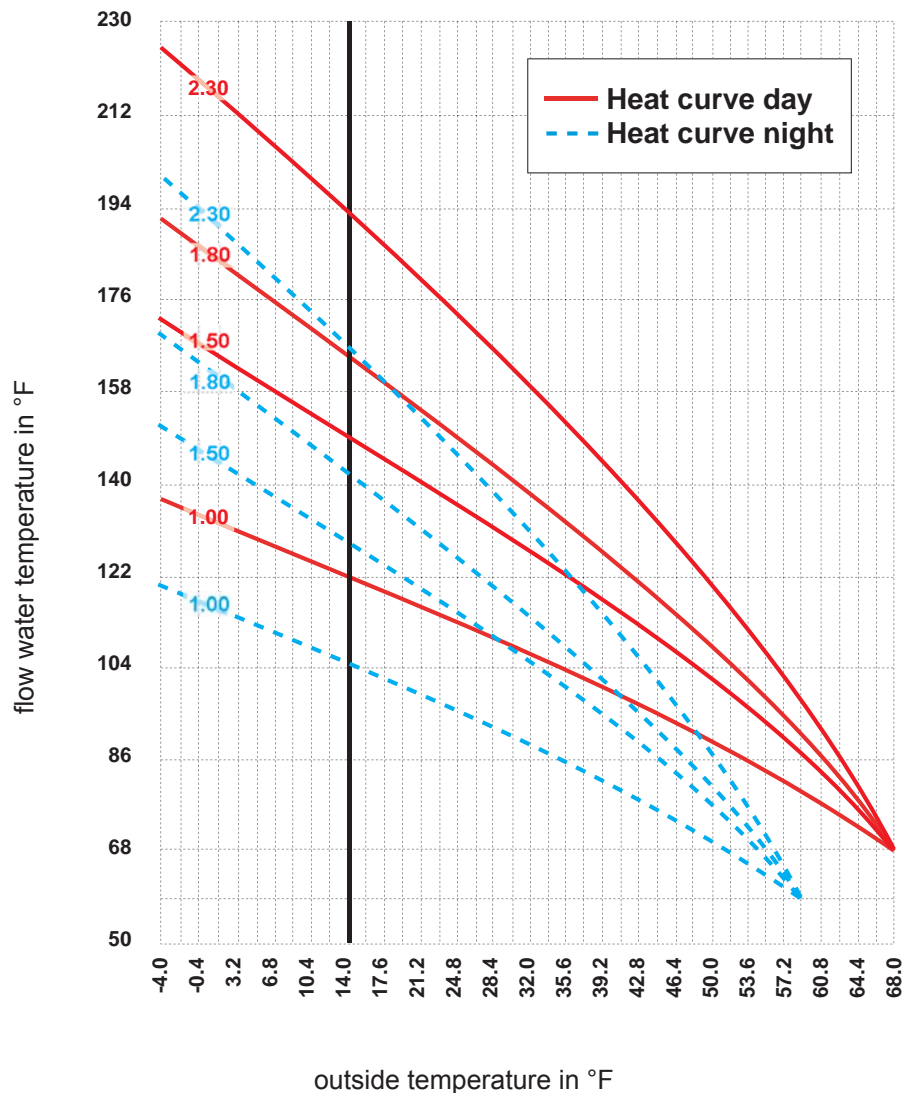
Table 12



NOTICE

* Most of the data in this table can be requested by the RS100. Most of the adjustments which are stated in this table are unnecessary when in combination with the Rinnai RS100 thermostat and will be taken care of by the RS100 itself and do not have to be adjusted. For further information regarding to the RS100 thermostat refer to the Rinnai RS100 installation manual.

Outdoor reset

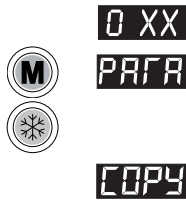


heating line adjustments Parameter Step 6 and 7

graph 2

10.2 Activating factory settings (green button function)

To activate the factory settings again please follow the next procedure (Note: all altered adjustments will be set back to their original factory settings that are accessible in the current service level the boiler is in either user or 123):






- Select, when necessary, the technical read out;
- Select with the MODE-button chapter PARA;
- Press the STORE-button.

The word "Copy" will appear and the factory settings are active again.

11 Isolating the boiler



Some situations require turning the entire boiler off.

By switching off the three buttons with the LED's for central heating, hot water and pump program (,  or ), the boiler is switched off. Do not shut off the power of the boiler, which means the circulation pump and the three-way valve are activated once every 24 hours in order to prevent these parts from seizing up.



CAUTION

In the event of freezing danger with an isolated boiler it is advisable to drain the boiler and/or the installation.

12 Commissioning

NOTICE

Work on the boiler must be carried out by a licensed professional, using correctly calibrated instruments with current test certification. These installation instructions are intended for licensed professionals, who have the necessary knowledge and are approved for working on heating and gas systems.

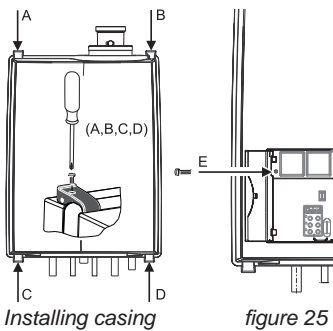
Before the boiler is fired, ensure that the boiler and the system are well de-aerated and free of air. Purge the gas line between the gas meter and the boiler.

WARNING

Failure to properly commission the boiler as described in section 12 may result in unreliable burner operation, reduced component life, and unsafe boiler operation.

NOTICE

The boiler and its individual shut off valve must be disconnected from the gas supply piping system during any pressure testing of that system at test pressures in excess of 1/2 PSI (3.5kPa).



To commission the boiler the casing has to be removed.

- remove the 4 screws A,B,C and D in the quick releases of the casing (figure 25);
- remove the screw E behind the door on the front of the casing (figure 25);
- remove it towards the front.

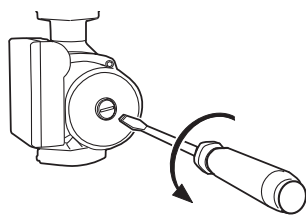
The boiler settings, such as burner pressure and adjustment of the air quantity are unnecessary in most cases, due to the fact that the boiler operates with a zero pressure control. This means the correct gas quantity is controlled by the suction operation of the fan. The fine adjustment of the zero pressure, which is carried out at the factory is once-only, which means that adjusting of this value is unnecessary. Only in case of replacing of the gas valve, venturi and/or fan the zero pressure adjustment has to be checked and, if necessary, adjusted to the right value.

WARNING

The venturi must always be checked and adjusted when it is out of range see section 12.3 on O₂ adjustment.

DANGER

Always check the installation of all parts through which gas flows (by bubble test using leak-search spray).



Pump commissioning
figure 26

Pump commissioning procedure should be followed before the boiler is fired for the first time:

1. Remove the vent pump screw
2. Use a small flat head screw driver to ensure the impeller spins freely.
3. When the impeller spins freely and water exits through the vent port the pump is ready for operation.
4. Replace the vent screw

During the commissioning of the boiler the Rinnai Installation, Commissioning, and Service card must be filled out.

12.1 Testing for gas leaks

Prior to start-up of the boiler you must check the external tightness of the gas supply valve and confirm this in the start-up report.



WARNING

- Before leak testing the boiler, ensure all parts of the boiler such as electronics and wiring are properly covered and protected from the leak testing agent.
- Do not spray the leak testing agent onto cables, plugs, electrical connection lines or electronic circuit boards. Do not allow it to drip onto them either.

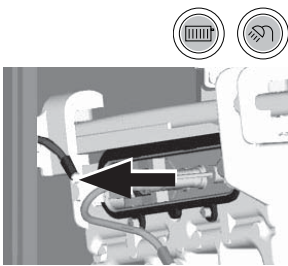


DANGER

Leaks may be caused to pipes and screw connections during commissioning and maintenance activities.

- Carry out a proper leak test.
- Only use approved leak detection agents for leak detection.
- Disconnect the heating system from the power supply.
- Check the exterior tightness of new conduit sections up to and including the direct sealing point on the gas burner fitting. The maximum test pressure allowed on the input of the gas burner fitting is 14 inch W.C. (35mbar).

12.2 Testing the Ignition Safety shut off device



- Switch off system using the Central Heating button and the DHW button

- Disconnect the plug and socket connection of the ionization cable.



- Switch on the system using the Central Heating button and the DHW button.



- Press the MODE-button for 5 seconds.

CODE

- The display will show CODE followed by an arbitrary number;

C123

- Select by means of the  or the  button the code C123;



- Press the Store-button to confirm the code (code blinks 1 x);




- Press the MODE-button until SERV is shown;

S 1 OFF

- Press the STEP-button once until 1 is shown; alternately 1 and OFF will be shown.



- Press the  button once; Check if the boiler does one start-up attempt and four restart attempts. After the last start-up attempt, the boiler will lock out. The gas valve is shut off. The E02 code is blinking in the display.

E 02

- Connect the plug and socket connection of the ionization cable.



- Press the reset button.

- Check if the boiler starts-up.

Do not touch the inside of the ignition cable while it is disconnected during start up of the boiler.



WARNING

12.3 Checking the O₂

 NOTICE

The O₂ percentage setting is required to be checked at commissioning, maintenance and faults and adjusted if needed.

 WARNING

The O₂ percentage is required to be checked and adjusted after a conversion from NG to LP or from LP to NG. This process must be done with a calibrated combustion analyzer that has been set to the correct gas type.

This can be checked by means of the following procedure:

- Remove the black cover of the gas valve by unscrewing the sealed screw.
- Put the boiler into operation and take care that it can deliver its heat;



Tip: If there is no demand for heat on CH, turn the hot water tap completely open and measure the O₂.



- Press the MODE-button for 5 seconds.



- The display will show CODE followed by an arbitrary number;



- Select by means of the  or the  button the code C123;



- Press the Store-button to confirm the code (code blinks 1 x);




- Press the MODE-button until SERV is shown;

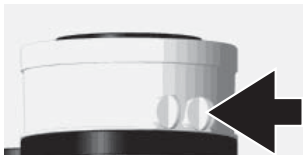
 1 OFF

- Press the STEP-button once until 1 is shown; alternately 1 and OFF will be shown.

- Calibrate the O₂ meter ;

- Place the probe of the O₂ meter into the check point (see fig. 27);

- Press the  button until the maximum value (in kW) is achieved;
The boiler will burn on full load (value on display in kW)
value in BTU/hr = x3415



checkpoint O₂

figure 27

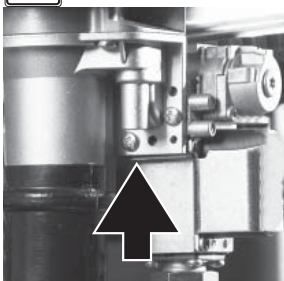
 NOTICE

When adjusting from max. to min. load it is advisable to stop at medium load to allow the boiler to stabilize. Adjusting quickly from max. to min. could force the boiler into an error state.

- Check the O₂ percentage:

Natural Gas: full load:	between 4.4% and 4.7%
min. load:	setting of full load +0.2% or greater
Propane: full load:	between 4.8% and 5.1%
min. load:	setting of full load +0.2% or greater

Example: Full load set on 4.6% O₂ (natural gas) then the minimum load setting should be 4.8% or greater.



adjustment screw O₂ fig. 28

 NOTICE

Choose the right O₂ value according the kind of gas (Natural Gas or Propane Gas). Wrong adjustment may result causing property damage, personal injury or death.

- Let the O₂ meter do its measuring procedure.
- Adjust, if necessary, the adjustment screw to correct the O₂ value (see fig. 28). Allow boiler to stabilize before reading the new value.

Ending the O₂ measuring procedure:

- Press the - button until **OFF** is shown (keep button pressed).
With this the procedure has ended..

- Replace the black cover on the gas valve and secure it with the screw.

For high altitude installations, elevations between 2000 ft and 4500 ft (600 m and 1350 m), in Canadian area it is required to fill out the High Altitude Label.

Check the appropriate model and input the recommended O₂ level indicated on the Installation Setting procedure :
Vérifier le modèle approprié et avoir entré le recommandé O₂ niveau indiqué sur la Procédure de Cadre de Installation

Model: E75C E110C Q85S Q130S Q175S Q205S Q175C

Altitude: 2001 - 4500 feet (610 - 1585 m)

O₂

This unit has been converted as per CGA 2.17-M91 Standard (only valid in Canada). Cette unité a été convertie selon la norme de CGA 2.17-M91 - seulement valide au Canada.

Converted by/Converti par: _____
Date: _____ Gas Type/Type de Gaz: _____

Place the filled out High Altitude Label on the controller supporting frame, on the left side of the rating plate.

High Altitude Label (example)

12.4 Measuring the ionization current



- Switch off the system using the Central Heating button and the DHW button

- Disconnect the plug and the socket connection on the probe and connect the measuring device in series. See figure 29. Select the μ A direct current range on the measuring device. The measuring device must have a resolution of at least 1 μ A.



Ionization test figure 29



- Switch on the system using the Central Heating button and the DHW button.



- Press the MODE-button for 5 seconds.



- The display will show COdE followed by an arbitrary number;



- Select by means of the or the button the code C123;



- Press the Store-button to confirm the code (code blinks 1 x);



- Press the MODE-button until SERV is shown;



- Press the STEP-button once until 1 is shown; alternately 1 and OFF will be shown.



- Press the button until the maximum value (in kW) is achieved;
The boiler will burn on full load (value on display in kW)
value in BTU/hr = x3415

- Measure the ionization. When the boiler is in full load the ionization current must be > 4 μ A and write down this value in the log book.



- Press the button until OFF is shown (keep button pressed).



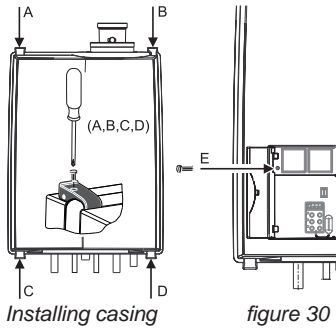
- Switch off the system using the Central Heating button and the DHW button

- Disconnect the measuring device and restore the plug and the socket connection on the probe.



- Switch on the system using the Central Heating button and the DHW button.

12.5 Installing the casing



- Install the cover on the boiler and close all 4 quick releases of the casing
- Tighten the 4 screws A,B,C and D in the quick releases (figure 30);
- Tighten the screw E behind the door on the front of the casing (figure 30);

13 Maintenance



NOTICE

Maintenance or changes to the boiler may only be carried out by a licensed professional.

To protect yourself from harm, before performing maintenance:

- Turn off the electrical power supply by switching off the boiler at the mains power switch or by turning off the electricity at the circuit breaker.
- Turn off the gas at the manual gas valve, usually located below the boiler.
- Turn off the incoming water supply. This can be done at the isolation valve usually located below the boiler or by turning off the water supply to the building.

13.1 Periodic examination of venting systems and boiler

The inspection of the boiler and venting system should be done every 2 years or 4000 hours and full maintenance every 4 years or 8000 hours of operation, whichever occurs first. When doing this the circumstances of the boiler's location must be taken into account. From this one can determine whether to deviate from this advice.



NOTICE

Please contact Rinnai for further guidance on the frequency and service requirements. Contact details can be found on the back page of this manual.

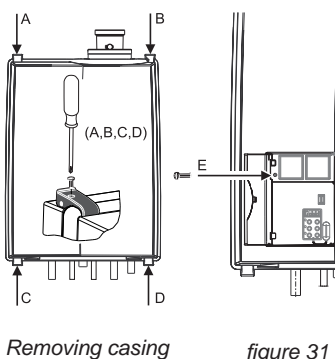
13.2 Inspection

Preparing the boiler for inspection



To carry out the maintenance activities please follow the next procedure:

- Switch off the power supply;
- Shut off the gas;
- Valve off the boiler from the system using the boiler isolation valves in the plumbing kit.
- Remove the 4 screws A,B,C and D in the quick releases of the casing (figure 31);
- Remove the screw E behind the door on the front of the casing (figure 31);
- Remove it towards the front.
- Clean the casing with a cloth with a simple (non-abrasive) cleaning agent;



13.2.1 Visual inspection for general signs of corrosion

- Check all gas and water pipes for signs of corrosion.
- Replace any pipes that are corroded.

13.2.2 Measuring the ionization current

See subsection 12.5 "Measuring the ionization current".

13.2.3 Measuring the inlet gas pressure

See subsection 6.4.1 and .2 "Gas connection with natural gas" and "Gas connection with propane".

13.2.4 Testing for gas leaks

See subsection 12.1 "Testing for gas leaks".

13.2.5 Carrying out a pressure test of the heating system

See chapter 9.2 "Filling the heating system".

13.2.6 Checking venting systems

Check the following points:

- Is the prescribed combustion air/flue system used?
- Have the instructions for configuring the flue system as specified in the relevant Installation instruction for the flue gas system been observed?
- Check air intake and/or air filter and flue gas for obstruction, pollution or damage.

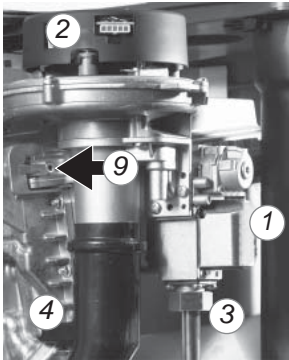


NOTICE

When an air filter is used the air filter must be replaced yearly on boilers operating in normal circumstances. The conditions (eg. supply air quality) in which the boiler is installed should be taken into account. This will show whether the frequency of replacement should be reduced or increased. If in doubt, contact RINNAI.

13.3 Maintenance activities

NOTICE



fan unit and gas valve
figure 32

NOTICE

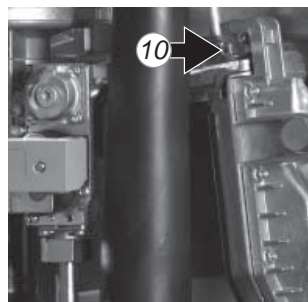
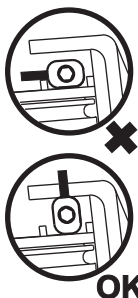


figure 33

NOTICE

DANGER



Clamping rods
figure 34

The fan unit and burner cassette (figure 32 to 34) (every 4 year maintenance)

- Remove the electrical connection plug from the gas valve (1) and fan motor (2);
- Loosen the nut (3) of the gas pipe under the gas valve;
- **Replace the gasket with a new one;**
- Loosen the front cross head screw (4) of the black plastic silencer;
- After this turn the two clamping rods (9 and 10) ¼ turn and remove them by pulling them forward. **Note the correct turning direction (red indicator. fig. 34);**
- Slightly lift the fan unit and remove it towards the front of the heat exchanger;
- Remove the burner cassette out of the fan unit;
- Check the burner cassette for wear, pollution and possible cracks. Clean the burner cassette with a soft brush and vacuum cleaner.

If burners are cracked replace the complete burner cassette;

- **Replace the gaskets between burner and fan unit and the gasket between fan unit and heat exchanger;**
- Check the venturi and the gas-air distribution plate for pollution and clean this part, if necessary with a soft brush and vacuum cleaner. If the air box contains a lot of dirt it is plausible that the fan itself is dirty as well. To clean this, the fan has to be removed from the hood and the venturi. Clean the fan with a soft brush and a vacuum cleaner. Replace the gasket and ensure that all gaskets of the fan parts are mounted correctly.

Heat exchanger (every 4 year maintenance)

- Check the heat exchanger for contamination. Clean this if necessary with a soft brush and a vacuum cleaner. Prevent debris from falling down into the heat exchanger.

Flushing the heat exchanger from the top down is not permitted

Refitting of the components is done in reverse order.

Make sure that during refitting the clamping rods are put in the right position. They should be turned vertical.

If the boiler should activate with clamping rods in the wrong position it will cause property damage, personal injury or loss of life.

Ignition electrode (every 4 year maintenance)

This can be checked by measuring the ionization current. The minimum ionization current has to be higher than 4µA on full load.

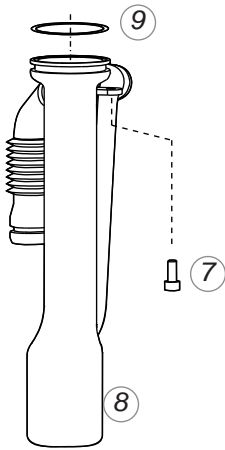
If the inspection glass is damaged the complete electrode must be replaced.

Replace the ignition assembly after every 4 year, whichever occurs first.

Replacement goes as follows:

- Remove the electrical connections of the electrode;
- Press the clips on both sides of the electrode to both sides and remove the complete electrode;
- Remove and replace the gasket;

Refitting of the components is done in reverse order.



Condensate trap and condensate tray (figure 35-37) (2 and 4 year maintenance)

Step 1: Condensate trap

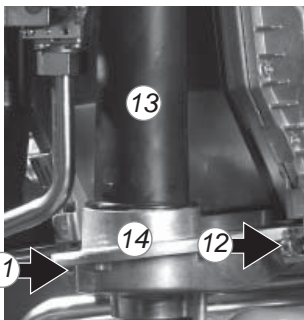
- First remove the screw (7);
- Pull the condensation cup (8) downwards, out of the condensate tray (14)
Check this for impurities. If there is not a lot of impurities it is not necessary to clean the condensate tray (Go to Step 3). If there is a lot of impurities in the cup it is necessary to remove and clean the condensate tray according Step 2;
- Check the O-ring (9) of the cup and replace if necessary;
- Clean the parts by flushing with clean water;
- Grease the O-ring again with acid free O-ring grease to make fitting easier;
- If there is a leak at the condensate trap (8) replace complete condensate trap by # 809000100;

Step 2: Condensate tray

- Remove the plug from the flue gas sensor if present;
- Turn the two short clamping rods (11 and 12) ¼ turn and remove them by pulling them forward; Note the right turning direction (red indicator);
- Lift the exhaust pipe (13) out of the condensate tray (14);
- Press the condensate tray (14) carefully downwards and remove it by pulling it forward;
- Replace the gasket between condensate tray and heat exchanger with a new one;
- Clean the condensate tray with water and a hard brush;
- Check the condensate tray for leaks.

Step 3: Refitting is done in reverse order.
Note that all gaskets seal completely.

Siphon figure 35



Condensate tray figure 36

 **DANGER**



Clamping rods figure 37

 **DANGER**

 **WARNING**

 **WARNING**

Make sure that during refitting the clamping rods are put in the right position. They should be turned vertical.

If the boiler should activate with clamping rods in the wrong position it will cause property damage, personal injury or loss of life.

Put the boiler into operation and check the O₂ (see chapter 12.4).

If replacement of new gaskets and burner mentioned in this chapter is not done within the service interval subscribed by Rinnai the boiler can be damaged and may cause property damage, personal injury or loss of life.

Use only original spare parts supplied by Rinnai. If non approved parts are used the boiler can be damaged and may cause property damage, personal injury or loss of life. Use of non-Rinnai parts will result in the voiding of the limited warranty.

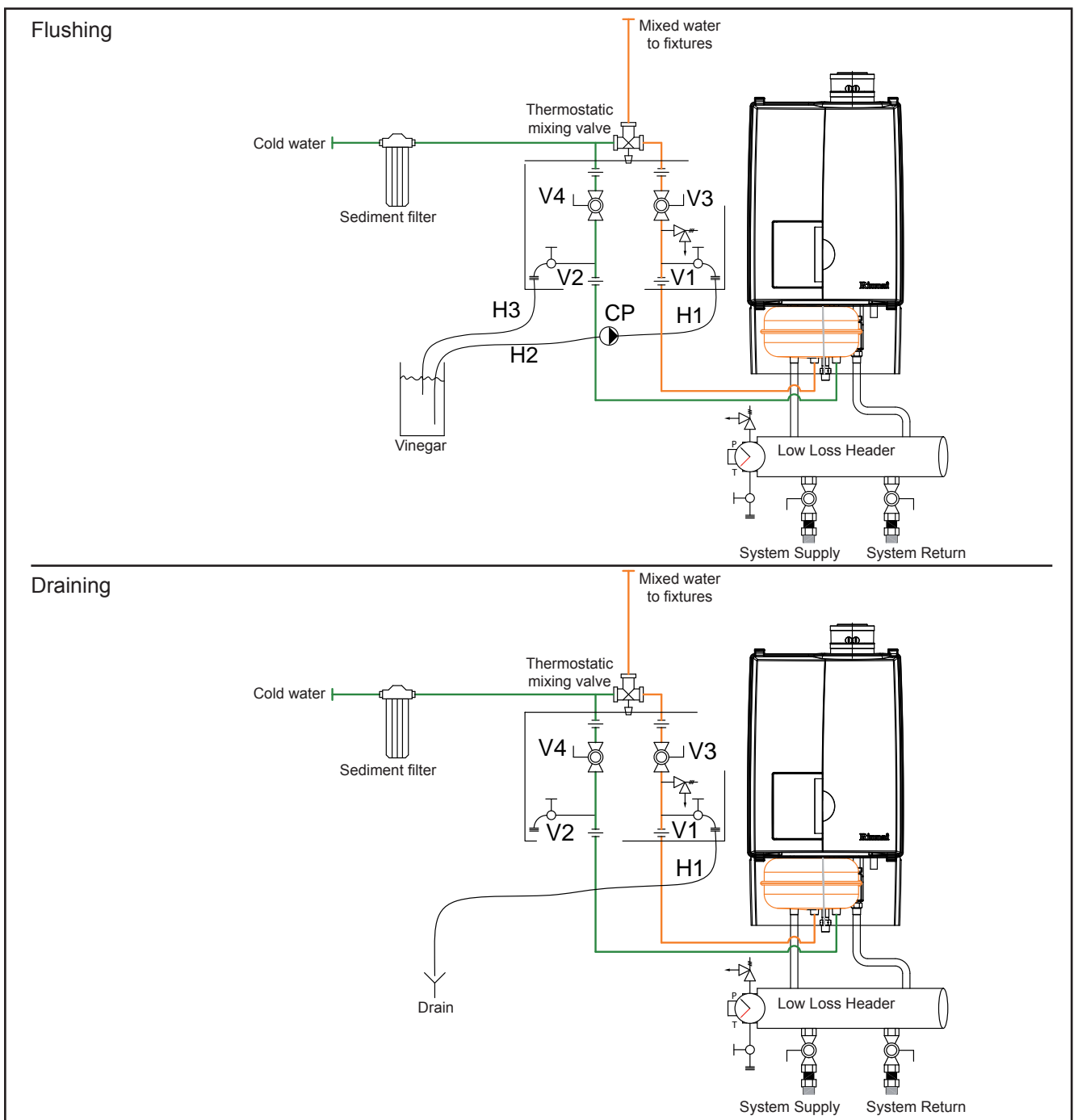
Do not use substitute materials. Use only parts certified with the appliance.

Cleaning the Brazed Plate Heat exchanger (Every 2 year maintenance or as needed based on water quality)

The brazed plate heat exchanger should be cleaned at the service interval every 2 years. Failure to flush the brazed plate heat exchanger will cause damage to it. Follow the procedure below for cleaning the brazed plate heat exchanger.

1. Turn off the DHW function on the boiler.
2. Close the shutoff valves on both the hot water and cold water lines (V3 and V4).
3. Connect pump outlet hose (H1) to the hot water line at service valve (V1).
4. Connect drain hose (H3) to service valve (V2).

5. Pour approximately 4 gallons of virgin, food grade, white vinegar or citric acid into pail.
6. Place the drain hose (H3) and the hose (H2) to the pump (CP) inlet into the cleaning solution.
7. Open both service valves (V1 and V2) on the hot water and cold water lines.
8. Operate the pump (CP) and allow the cleaning solution to circulate through the brazed plate heat exchanger for at least 45 minutes.
9. Turn off the pump (CP).
10. Rinse the cleaning solution from the brazed plate heat exchanger as follows:
 - a. Remove the free end of the drain hose (H3) from the pail
 - b. Close service valve, (V2), and open shutoff valve, (V4). Do not open shutoff valve, (V3).
 - c. Disconnect both H1 and H3 from the service valves
 - d. Connect H3 to V1 and place the end of the hose in a drain
 - e. Allow water to flow through the brazed plate heat exchanger for 5 minutes
 - f. Close service valve, (V1), and open shutoff valve, (V3).
11. Disconnect all hoses.



Flushing and draining

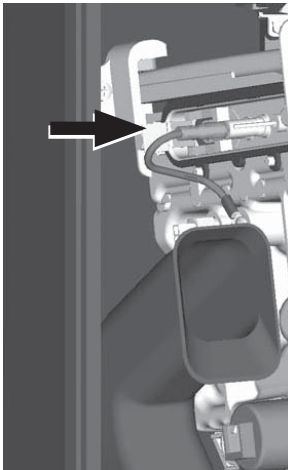
figure 38

Visual inspection of the flame (2 and 4 year maintenance)

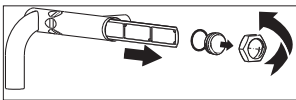
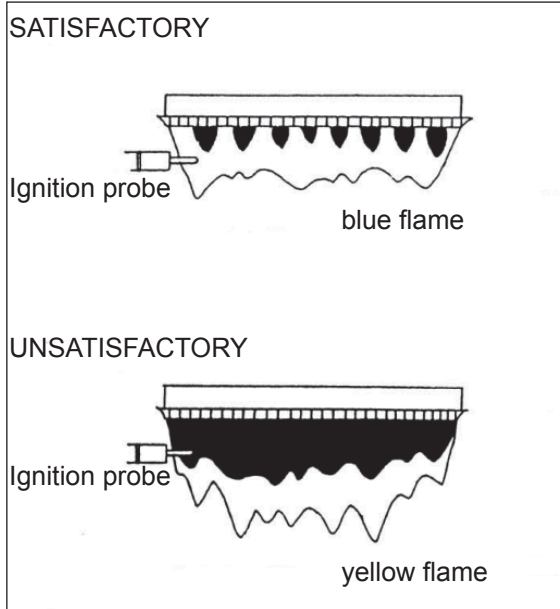
The burner must flame evenly over the entire surface when operating correctly. The flame must burn with a clear, blue, stable flame.

Check the flame through the inspection glass in the ignition probe (fig. 38).

The flame pattern should be as shown in the figures below.



Inspection glass figure 39



Water filter figure 40



Further checks:

- Inspect the pressure relief valve
- Clean the water filter in the return pipe
- Check the pH of the water or glycol/water mixture.

The combustion must be checked and adjusted if required at both the 2 year/4000 hour and 4 year/8000 hour service intervals with a properly working combustion analyzer.

Verify proper operation after servicing. Always reset the service interval counter after full maintenance interval (every 4 years or 8000 hours of operation).

13.3.1 Reset service interval counter

At 8000 hours of use, "SERVICE" will scroll across the display. "Good" will display as well alternatively.

To reset the 8000 hour service notification:

CODE [123]

[M] SERV

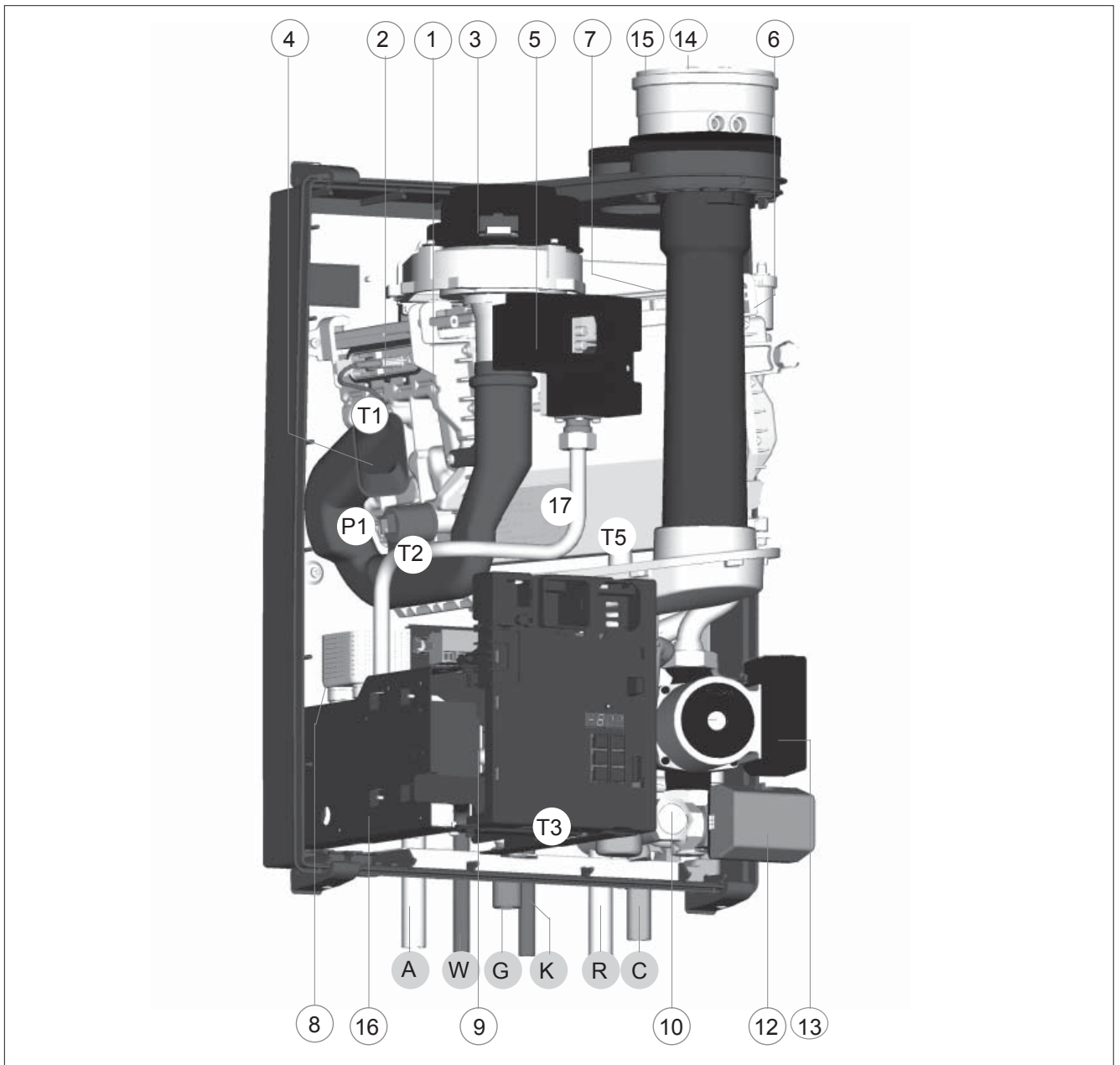
[*] SERV

- Enter the 1st Tier Settings: 123 Code
- Briefly press "Mode" again until the Service Chapter is displayed (SERV)
- Hold the "Store" button until SERV flashes once—the service notification will no longer show during normal operation and the countdown to service will reset to 8000.

13.4 Limited warranty

For warranty conditions refer to the warranty supplied with the boiler.

14 Parts of the boiler



Rinnai E-Series

figure 41

1 heat exchanger	9 operating panel	17 ASME / NB / CRN data plate
2 ignition unit	10 Control Tower (CMS)	
3 fan unit	11 water filter return CH	
4 air inlet damper	12 three-way valve	
5 gas valve	13 circulation pump	
6 automatic de-aerator	14 exhaust	
7 ceramic burner cassette	15 combustion air supply	
8 plate heat exchanger DHW	16 CSA Data Plate (serial number)	

T1 supply sensor
T2 return sensor
T3 sensor DHW and flow switch

P1 water pressure sensor

G gas pipe
A supply central heating
R return central heating
C condensate pipe
K cold water pipe
W hot water pipe

15 Blocks and Errors

15.1 Error indication (short reference)

A detected error is indicated on the display by means of blocking or error messages. A distinction should be made between these two messages due to the fact that blocking can be of a temporary nature, however, error messages are fixed lockings. The control will try its utmost to prevent locking and will temporarily switch off the unit by blocking it. The following is a list of some messages.

Blocks **bL** with a number in the last 2 positions.

bL01	Block 01: External safety contact cut off
bL05	Block 05: Outdoor sensor not connected
bL60	Block 60: Incorrect parameter setting of the minimum or maximum power.
bL67	Block 67: A ΔT has been detected between flow and return sensor whereas the burner is not in operation. After the ΔT has disappeared the block will clear.
bL85	Block 85: The control has not detected a water flow. The venting cycle is started. If during this cycle water flow is detected, the venting cycle is ended and the burner is released.

Error **E** with a number in the last two positions.

E 00	Error 00: Poor flame-forming
E 02	Error 02: no flame-forming
E 04	Error 04: adjustment or error for voltage interruption
E 05	Error 05: adjustment
E 12	Error 12: high limit stat
E 18	Error 18: maximum flow temperature exceeded
E 19	Error 19: maximum return temperature exceeded
E 28	Error 28: number of revolutions not reported back from fan
E 69	Error 69: no or incorrect display
FUSE	FUSE: 24V fuse defective



NOTICE

The following pages describes more detailed follow up instructions for solving blockings, errors and practical circumstances. These instructions are only for licensed professionals.

15.2 Blocks

An error, which has been detected, is indicated on the display by a block message. Blocks can be temporary in nature. The controller will do everything possible to prevent a system lock and temporarily switching off the boiler as a result of a block. Please see below for a summary of blocks.

Blocks **bL** with a figure on the last 2 characters.

Code	Description	Solution
bL01	External safety contact open	Rectify error as a result of which by determining contact is open. Or repair interconnection between 24/25
bL05	Outdoor sensor contact open (not connected)	Rectify error as a result of which by determining contact is open or outdoor sensor is not connected. Connect outdoor sensor or repair wiring (position 18/19) or replace outdoor sensor.
bL11	Maximum average ΔT of supply and return sensor for central heating is repeatedly exceeded. Operation is normally possible for the hot water supply during the block. The pump continues to operate at minimum capacity during the block.	Check flow through the installation. See the installation instructions for the hydraulic connections to the boiler (3-Way-Thermostatic valve, Plumbing Kit installed?) Possible causes: (radiator) shut-off valves closed or blocked water filter Activated room sensor (RS101) in non leading room (closed thermostatic radiator valves?) Check pump height. Check minimum and maximum Temperature difference in Parameter Step 46 + 47.
bL12	Maximum average ΔT of supply and return sensor for hot water is repeatedly exceeded. Operation is normally possible for the central heating installation during the block. The pump continues to operate at minimum capacity during the block.	Check flow through the boiler and DHW tank See the installation instructions for the hydraulic connections to the boiler Possible causes: (radiator) shut-off valves closed or blocked water filter resistance (coil) in tank to high (see pump height) Check 3-way-valve on function and pollution.
bL60	Incorrect parameter setting for the minimum or maximum power	Call Rinnai
bL67	A temperature difference has been detected between the supply and return sensor whilst the burner is not in operation. After the average ΔT has disappeared, the block will disappear.	Check the supply and return sensor for the resistance value and replace the defective sensor Check the installation for any external heat source and rectify this
bL80	flue sensor temperature too high	Check vent system
bL81	flue sensor or thermostat contact open	Call Rinnai
bL82	flue sensor or thermostat contact closed	Call Rinnai
bL84	flue gas thermostat contact open	Check vent system or check parameter 84 for default
bL85	no water flow can be detected through the controller. De-aeration cycle is started. When water flow is detected during this cycle, the de-aeration cycle is terminated and the burner is released. The controller checks the water pressure during static and dynamic situation.	- check the installation for the presence of air; If there is a secondary pump installed and it is not hydraulically separated, it could cause pressure differences. - check the use of balancing valves check if the pump is functioning and/or that the water pressure sensor is working properly; Polluted pump; Polluted water pressure sensor; Polluted water filter; Wiring of pump.
bL86	The frequency of the power supply deviates more than + or -1.5Hz	check the main power supply

15.3 Errors




Code	Description	Solution
E 00	Incorrect flame formation. boiler has not been burning but an ionization flow (flame) has still been detected	<p>Check whether the ionization cable and/or the electrode are responsible for a possible short-circuit. Remove the plugs from the ionization cable connected to the control unit and to the electrode. Now using a universal meter take a measurement between the ionization connection and the ground, now refit it part by part until a short-circuit takes place.</p> <hr/> <p>Rectify the short-circuit and if necessary replace this part.</p>
E 01	24 Volt short-circuit	<p>Check the 24 Volt connection. Remove all plugs with 24 Volt connections such as: fan, pump, any three-port valve and 24 Volt plug to the connecting block.</p> <hr/> <p>Check short circuit of disconnected components. Switch on power again to the control unit with the components disconnected. Reconnect the components, which have been checked and are working.</p> <hr/> <p>Rectify the short-circuit or replace the short-circuited component.</p>
E 02	No flame formation	<p>Check the data in Error mode. Boiler data during error.</p> <p>1 error = 02 2 operational status = 02 3 supply temp. = xx* 4 return temp. = xx* 5 kW burner = xx** 6 % pump = xx*</p> <p>* = variable value ** = x 3451 = BTU/hr</p> <hr/> <p>1 No temperature difference between supply (3) and return (4)</p> <p>Boiler has not been able to ignite any gas or has not received any gas. Boiler tries to start 6 times with an increasing starting load after the safety time</p> <p>Check whether:</p> <ul style="list-style-type: none"> - the gas valve is open; - there is power to the gas valve; - that the gas valve opens <p>The minimum gas pre-pressure during the start must be a minimum of 7"W.C. (17 mbar), check the 24 Volts in the gas during ignition block's open position</p> <hr/> <p>2 There is a temperature difference between supply (3) and return (4)</p> <p>Boiler has gone out after ignition. Due to insufficient ionization the burner has gone out after ignition</p> <p>ionization flow, ionization cable or the O₂ setting. The minimum ionization current should be 4 µA, the O₂ should be a minimum of 4.4% for NG or 4.8% for LP</p>
E 03	Control unit error	<p>Connector not plugged into the gas valve or defect in the wiring of the gas valve.</p> <hr/> <p>Software error control unit. Replace the control unit. The display will automatically load the program into the new controller.</p>
E 04	The controller has detected a program error	<p>Reset the boiler. the boiler automatically indicates this message if during an error read-out the electrical power to the boiler is shut off. After the power has once again switched on, if the error causing the interference is no longer present, this message is given.</p> <hr/> <p>Rectify the preceding error, If Error 04 persists, and preceding errors do not occur, replace controller.</p>
E 05	Control unit error	<p>Check 120V stability. If voltage is deviating more between +10% and -15% the electrical power supply needs to be stabilised.</p> <hr/> <p>The error persists after reset</p> <p>Software error control unit. Replace the control unit. Remove the E-Prom from the defective control unit and place it onto the new control unit. The controller will automatically load the program into the new control unit.</p>
E 06	Control unit error	<p>Moisture on the PCB. Check if there is water leaking on or in the boiler.</p> <hr/> <p>Stop leak and replace MCBA controller</p>

Code	Description	Solution
E 07	Control unit error	
1	Anticipation resistance wire not present	When a power stealing room stat device is placed the connection terminal needs to be provided with the special anticipation resistance wire.
2	Software error control unit.	Software error control unit. Replace the control unit. Remove the E-Prom from the defective control unit and place it onto the new control unit .The controller will automatically load the program into the new control unit.
E 12	High limit stat open	Supply temperature too high. Caused by - presence of air - possible polluted impeller of the circulation boiler pump - polluted internal filter Check de-aerator. Replace when necessary the automatic de-aerator and restart boiler for de-aerating programm (17min.) Check water flow over system. Clean when necessary the pump and or filter. Flush complete system Check adjustment of balancing valves
E 13	Control unit error	Software error control unit. Replace the control unit. Remove the E-Prom from the defective control unit and place it onto the new control unit .The controller will automatically load the program into the new control unit.
E 14	- T3 flow sensor ground connection - T3 flow sensor failure - controller failure	Check the data in Error mode. Boiler data during error: 1 Error = 14 2 Operational status = 00 3 Flow temp. = -22 4 Return temp. = xx* 5 kW burner = 00** 6 % pump = xx* * = variable values **= x3415=BTU/hr A temperature of - 36 is displayed at position 3. Check the wiring and/or measure the resistance of the flow sensor. The resistance should be approx. 12 kOhm at 77°F. (See table in Appendix B) If necessary, replace the flow sensor
E 18	Signal maximum flow water temperature exceeded ($T_1 > 212^\circ\text{F}$).	Check actual flow temperature. suddenly increase caused by completely hydraulic shut off of the boiler (filter, pump, thermostat valve, service valve) Check flow sensor NTC1. measure the resistance value (see Appendix B) Exchange defective part if necessary. Change control unit when error persists.
E 19	Signal maximum return water temperature exceeded ($T_2 > 212^\circ\text{F}$).	Check actual return temperature. Increase of temperature caused by external heating source? Check return sensor NTC 2. Measure the resistance value (see Appendix B) Exchange defective part if necessary. Change control unit when error persists
E 24	T1 and T2 (swapped).	T2 temperature is measured to be higher than T1. Check resistance value of T1 and T2 (See Appendix B) and replace T1 or T2.
E 26	Controller failure	Replace controller

Code	Description	Solution
E 28	No signal from the fan	<p>The fan is not running. Check the wiring to the fan and the control unit and/or the 24 volt power supply to the fan</p> <hr/> <p>Wiring and voltage are OK and error is repeated. Replace the fan</p>
E 29	Negative pressure on vent system (pressure difference)	<p>Check vent system. Vent system and air intake system must be installed according installation instructions.</p> <hr/> <p>IF vent system is OK: Replace fan</p>
E 31	internal shut down of supply sensor T1	<p>Check the data in Error mode. Boiler data during error:</p> <p>1 Error = 31 2 Operational status = 00 3 Flow temp. = 230 4 Return temp. = xx* 5 kW burner = 00** 6 % pump = xx*</p> <p>* = variable values **= x3415=BTU/hr</p> <hr/> <p>Check the wiring. check the wiring for the sensor</p> <hr/> <p>The wiring is OK but the error is repeated. Remove the plug from the flow sensor as a result of which Error 36 occurs</p> <hr/> <p>Replace the sensor.</p>
E 32	Shut down of return sensor T2	<p>Check the data in Error mode. Boiler data during error:</p> <p>1 Error = 32 2 Operational status = 00 3 Flow temp. = xx* 4 Return temp. = 230 5 kW burner = 00** 6 % pump = xx*</p> <p>* = variable values **= x3415=BTU/hr</p> <hr/> <p>Check the wiring. check the wiring for the sensor</p> <hr/> <p>The wiring is OK but the error is repeated. Remove the plug from the flow sensor as a result of which Error 37 occurs</p> <hr/> <p>Replace the sensor.</p>
E 36	contact for supply sensor T1 open	<p>Check the data in Error mode. Boiler data during error:</p> <p>1 Error = 36 2 Operational status = 00 3 Flow temp. = -22 4 Return temp. = xx* 5 kW burner = 00** 6 % pump = xx*</p> <p>* = variable values **= x3415=BTU/hr</p> <hr/> <p>Check the wiring. check the wiring for the sensor</p> <hr/> <p>The wiring is OK but the error is repeated. Remove the plug from the flow sensor as a result of which Error 31 occurs</p> <hr/> <p>Replace the sensor.</p>

Code	Description	Solution
E 37	contact for return sensor T2 open	<p>Check the data in Error mode. Boiler data during error:</p> <p>1 Error = 37 2 Operational status = 00 3 Flow temp. = xx* 4 Return temp. = -22 5 kW burner = 00** 6 % pump = xx*</p> <p>* = variable values **= x3415=BTU/hr</p> <hr/> <p>Check the wiring. check the wiring for the sensor</p> <hr/> <p>The wiring is OK but the error is repeated. Remove the plug from the flow sensor as a result of which Error 32 occurs</p> <hr/> <p>Replace the sensor.</p>
E 41	Control unit error	Software error control unit. Replace the control unit. Remove the E-Prom from the defective control unit and place it onto the new control unit .The controller will automatically load the program into the new control unit.
E 42	Control unit error	Software error control unit. Replace the control unit. Remove the E-Prom from the defective control unit and place it onto the new control unit .The controller will automatically load the program into the new control unit.
E 44	Electrical leakage to ground.	Moisture on controller PCB. Check if there is water leaking on or in the boiler. Stop water leak and replace controller.
E 69	No software present	Remove the E-Prom from the defective control unit and place it onto the new control unit .The controller will automatically load the program into the new control unit.
E 80	Flue gas temperature to high (adjustment parameter 84 - default 212°F)	Replace flue sensor or adjust parameter 84 to default
FUSE	Fuse on controller PCB defective or Cable transformer not connected	Replace fuse. A 4A and 5A spare fuse can be found on the back side of the Control Tower.

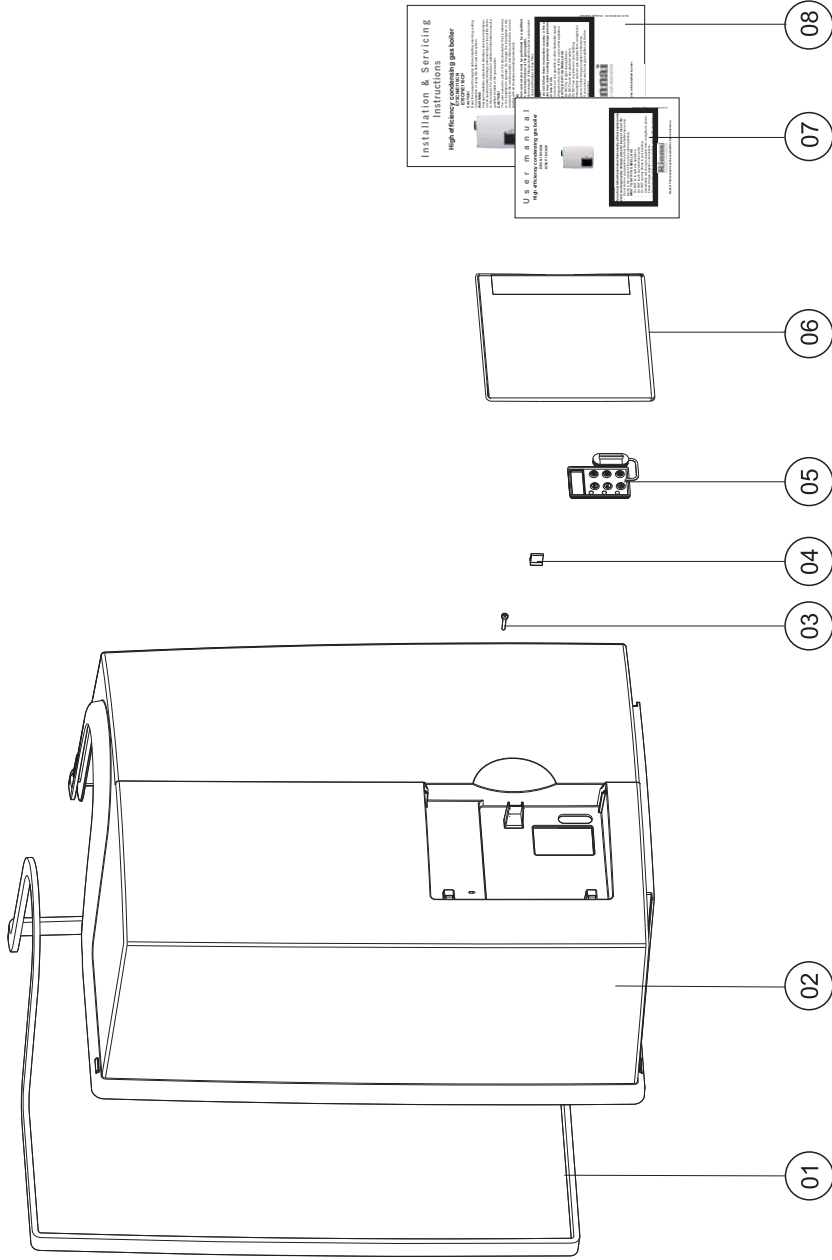
15.4 Other Errors

Complaint	Description	Solution
Central heating but no domestic hot water	1.  -Key of the DHW program is not switched on	Switch on DHW program on the Control Tower
	2. Flow switch is not working properly.	Check flow and/or check for impurities. Check on functioning. Replace if necessary.
	3. T3 DHW sensor in plate heat exchanger defective	Replace DHW sensor
	4. When using RS100	- Check timer times for DHW program, if necessary reset - RS100 does not respond to DHW program - See RS100 installation instructions
	5. Three-port valve is not circulating to DHW	- Check wiring. - If necessary replace the three-port valve motor.
Hot water but no central heating	1.  -Key of the central heating program is not switched on.	Switch on central heating program
	2. Room thermostat (on/off) is not giving any signal to the boiler.	Check room thermostat
	3. RS100 with outdoor sensor (Room sensor-On)	- Outdoor temperature is higher than 70°F, depending upon the Eco-temperature set (70°F is the default). Check Info chapter Step 7 or temperature is higher than the Eco temperature set (see RS100 installation instructions). - Check timer program and set room temperature.
	4. Three-port valve is not circulating to central heating position.	Check wiring, replace the three-port valve motor.
Central heating installation gets hot without being requested	1.  -Key pump program is on.	Switch off.
	2. Dirt in three-port valve or three-port valve cartridge is binding.	Clean or replace.
Insufficient quantity of hot water	1. Hot and cold water connection to the boiler mixed up.	Check left = hot, right = cold
	2. Incorrect flow reducing valve.	- Check for the type and for contamination, if necessary replace (Combi) and/or clean. - Check the comfort synchronising valve for the correct setting in accordance with the installation instructions.
	3. In the absence of positive results	Lime scale in plate heat exchanger. If necessary descale or replace
Temperature drop of the DHW (Combi)	1. Hot and cold water connection to the boiler mixed up	Check left = hot, right = cold
	2. Flow reducing valve.	Check flow reducing valve for the correct type in accordance with the installation instructions
	3. DHW power for the boiler is set too low.	- Check PARA chapter Step No. 43 - Check the functioning and wiring of the DHW sensor T3.

Complaint	Description	Solution
radiators do not get hot enough or warming them up takes too long	1. Check setting of room thermostat or RS100	See installation and user manual RS100
	2. Supply water temperature too low.	Check setting PARA chapter Step No. 1 and increase if necessary
	3. Incorrect choice of installation	PARA chapter Step No. 2 if necessary change.
	4. Installation resistance too high (given an average T > 36°F the boiler decreases the load).	- See installation instructions. - Check / clean water filter check dimensions of pipes.

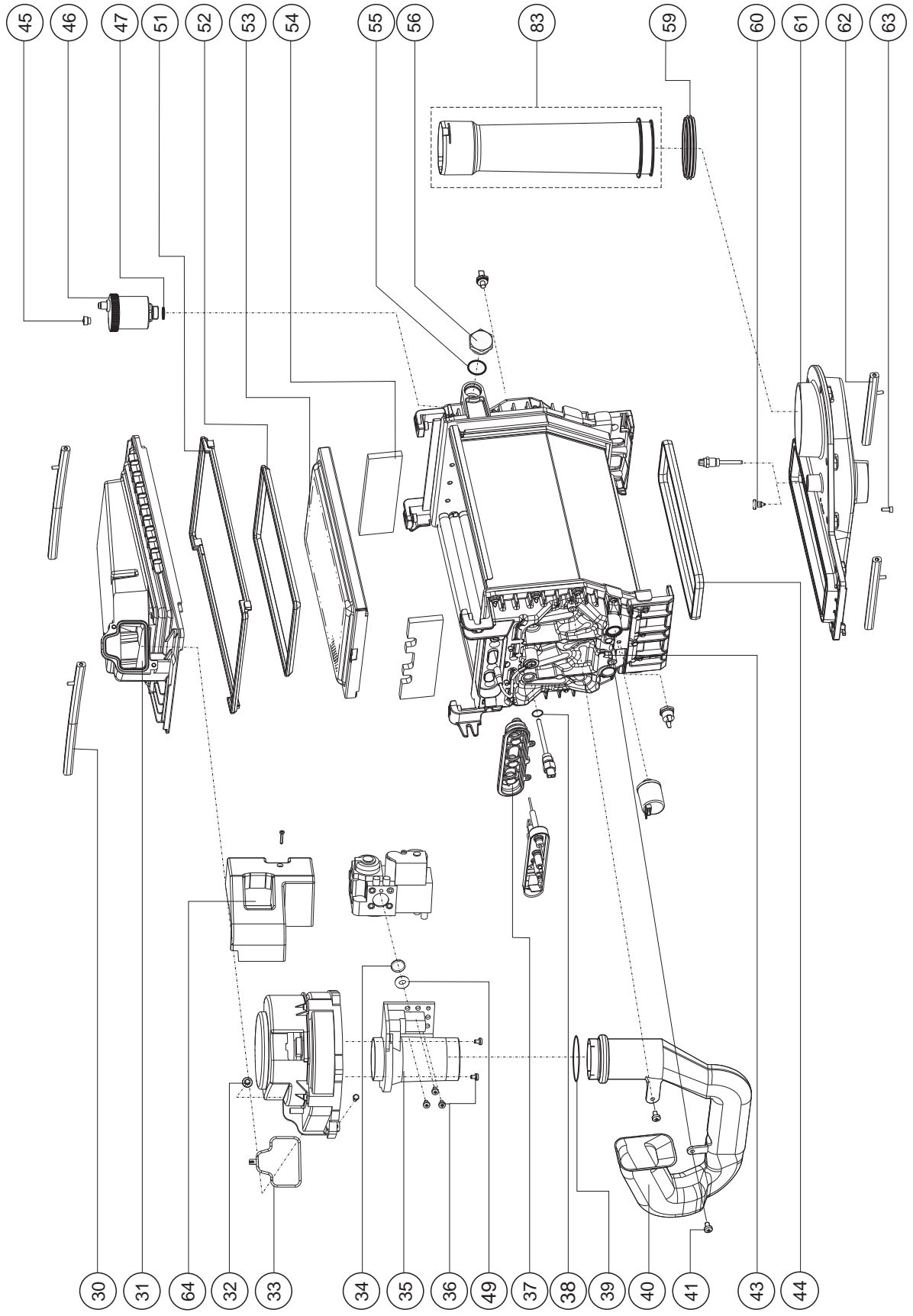
Parts casing E-Series / Pièces de l'habillage Série E

16 Spare parts / Pièces de rechange



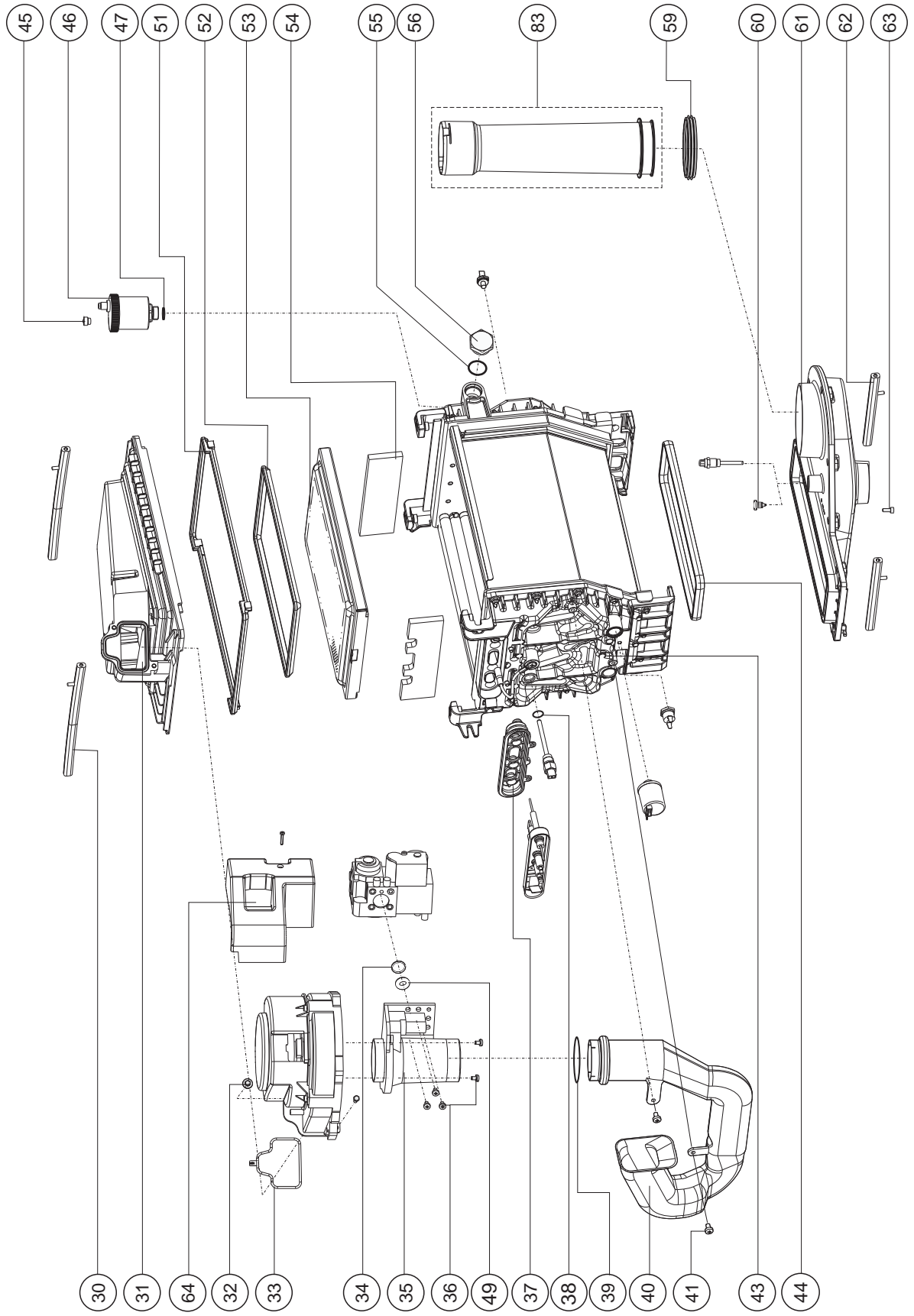
Item	Description	Description	Art. No. / Référence	E75C			E110C		
				N	P		N	P	
				OSS1			OSS2		
1	GASKET CASING E	JOINT HABILLAGE E	8090000073	X	X		X	X	X
2	CASING SET	KIT HABILLAGE	8090000074	X	X		X	X	X
	BOILER COVER BOLT M5X20 (SET OF 5 BOLTS)	VIS DE L'HABILLAGE DE CHAUDIERE M5X20 (5 PAR PAQUET)	809000127	X	X		X	X	X
4	SPRING DOOR CASING	RESORT PORTE HABILLAGE	8090000075	X	X		X	X	X
5	GASKET CONTROLS	JOINT BOUTONS DE COMMANDE	8090000076	X	X		X	X	X
6	DOOR CASING E	PORTE HABILLAGE E	8090000077	X	X		X	X	X
7	USER MANUAL E-SERIES	MODE D'EMPLOI SÉRIE E	800000012	X	X		X	X	X
8	INSTALLATION MANUAL E-SERIES	INSTRUCTIONS D'INSTALLATION SÉRIE E	800000013	X	X		X	X	X

Parts heat exchanger E-Series / Pièces d'échangeur de chaleur Série E



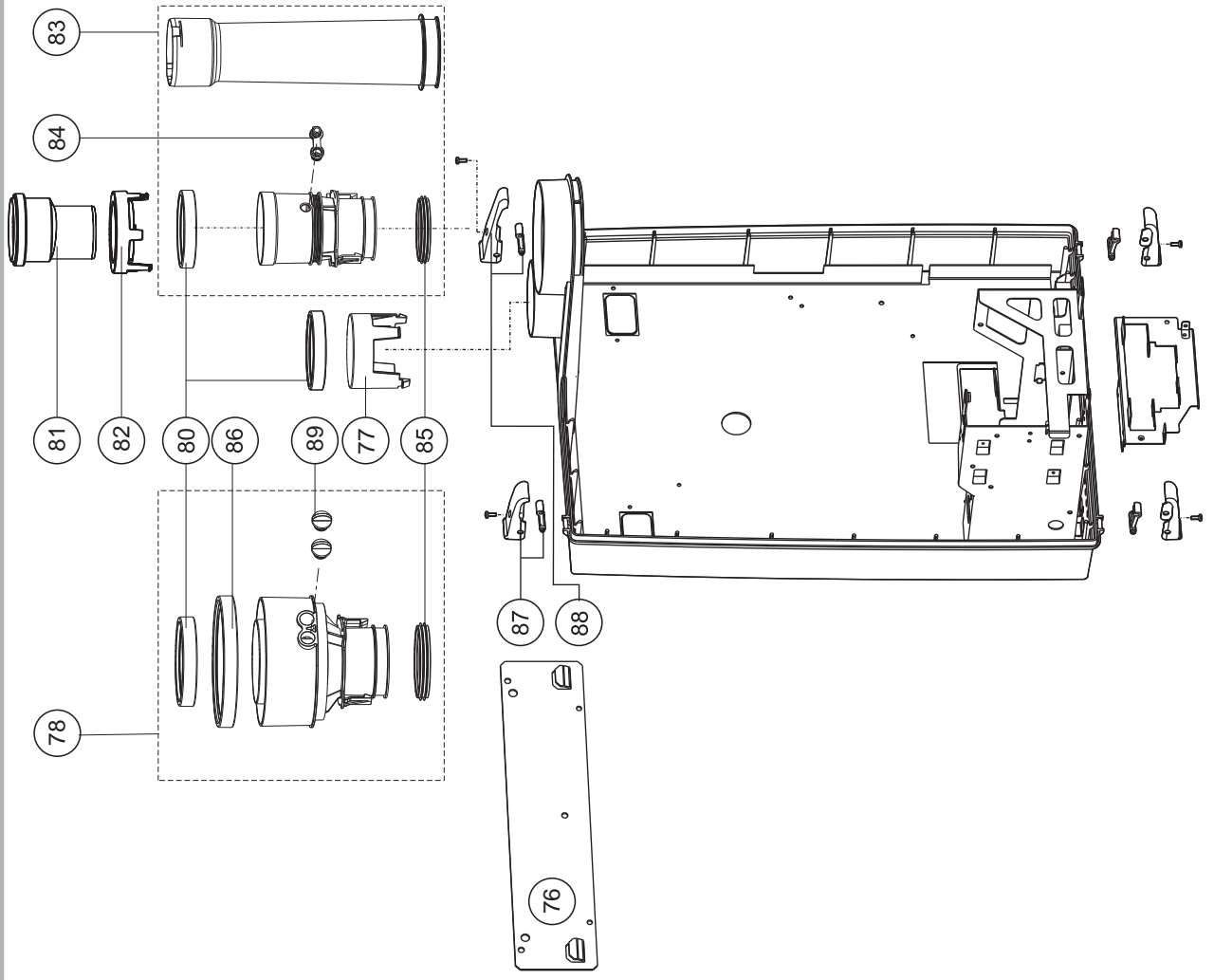
Item	Description	Description	Art. No. / Référence	E75C		E110C	
				N	P	N	P
				OSS1	OSS2		
30	CLAMP BAR TOP PART H.EX. LONG	TIGE DE FIXATION LONGUE	8090000014	X	X	X	X
31	TOP PART HEAT EXCH. SET OSS1	KIT PARTIE SUPER. ECH. DE CHALEUR OSS1	8070000010	X	X		
	TOP PART HEAT EXCH. SET OSS2	KIT PARTIE SUPER. ECH. DE CHALEUR OSS2	8070000011			X	X
32	BOLT M 5X16 (5 PER PACKAGE)	BOULON M 5X16 (5 PAR PAQUET)	8090000015	X	X	X	X
33	GASKET FAN/TOP PART H.EX.	JOINT VENTILATEUR/PARTIE SUPERIEURE ECH.	8090000016	X	X	X	X
34	GASKET GAS VALVE - VENTURI	JOINT VANNE GAS - VENTURI	8090000017	X	X	X	X
	GASKET VENTURI - FAN	JOINT VENTURI - VENTILATEUR	8090000018	X	X	X	X
35	VENTURI OSS1	VENTURI OSS1	8070000013	X	X		
	VENTURI OSS2	VENTURI OSS2	8070000014			X	X
36	BOLT M5X12GR FASE ZSDIN7985 (5 PER PACKAGE)	BOULON M5X12GR PHASE ZSDIN7985 (5 PAR PAQUET)	8090000019	X	X	X	X
38	O-RING ø5,00X2,00 FLOW SENSOR (5 PER PACKAGE)	JOINT TORIQUE ø5,00X2,00 SONDE DEPART (5 PAR PAQUET)	8090000080	X	X	X	X
37	GASKET IONISATION/IGNITION OSS	JOINT IONISATION/ALLUMAGE OSS	8090000020	X	X	X	X
39	GASKET SILENCER-VENTURI	JOINT SILENCEUR-VENTURI	8090000021	X	X	X	X
40	DAMPER OSS1	SILENCEUR OSS1	8070000016	X	X		
	DAMPER OSS2	SILENCEUR OSS2	8070000017			X	X
41	SCREW TAPITE M5X8 CK-PD (3 PER PACKAGE)	VIS AUTO-TARAUDEUSE M5X8 CK-PD (3 PAR PAQUET)	8090000022	X	X	X	X
43	HEAT EXCHANGER OSS1 ASME	ECHANGEUR DE CHALEUR OSS1 ASME	8070000019	X	X		
	HEAT EXCHANGER OSS2 ASME	ECHANGEUR DE CHALEUR OSS2 ASME	8070000020			X	X
	BOILER TOOL KIT	KIT D'OUTILLAGE DE CHAUDIERE	8090000024	X	X	X	X
44	GASKET CONDENSATE TRAY OSS1	JOINT BAC A CONDENSATION OSS1	8090000025	X	X		
	GASKET CONDENSATE TRAY OSS2	JOINT BAC A CONDENSATION OSS2	8090000026			X	X

Parts heat exchanger E-Series / Pièces échangeur de chaleur Série E



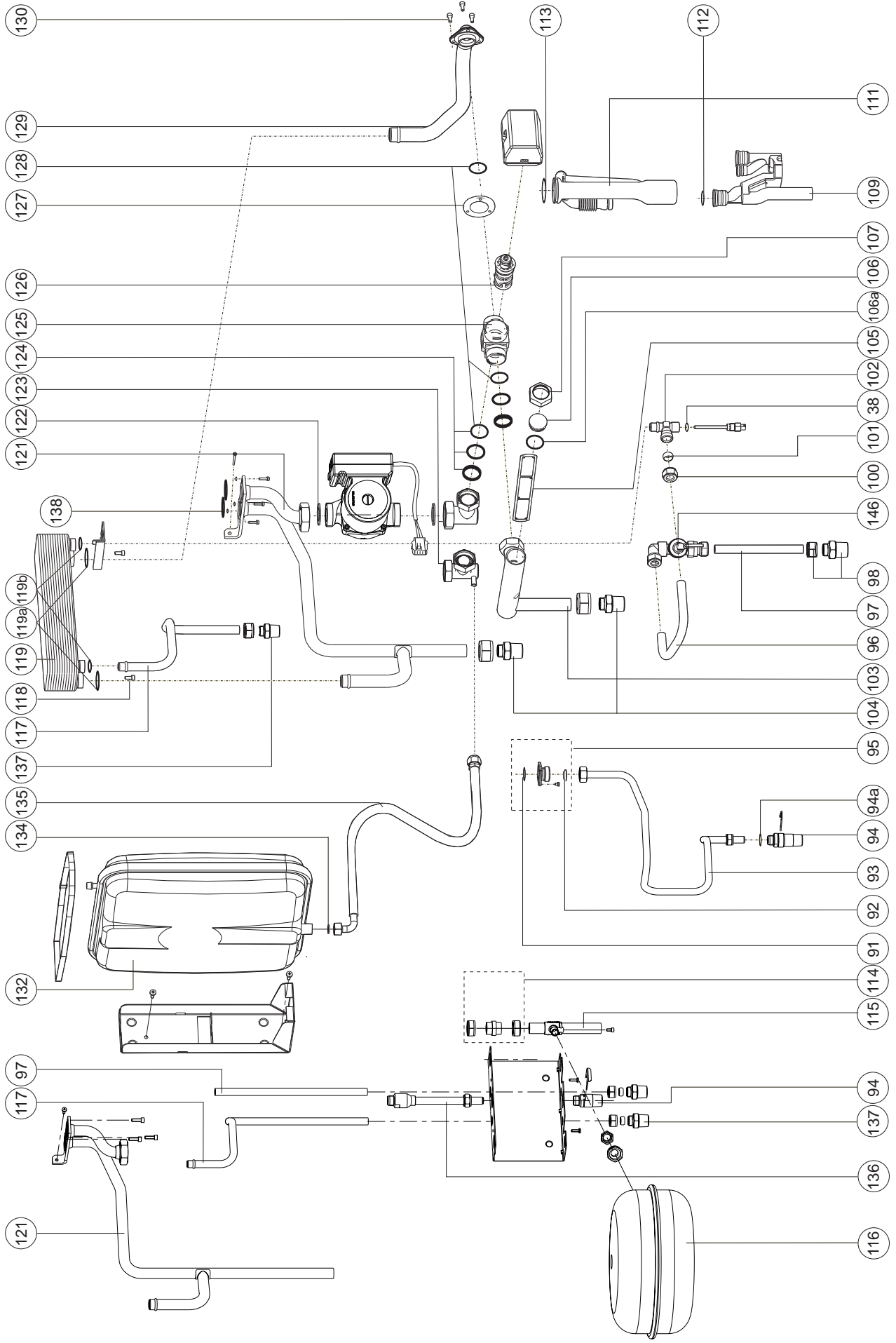
Item	Description	Description	Art. No. / Référence	E75C			E110C		
				N	P	OSS1	N	P	OSS2
45	CAP DE-AERATOR SHR (3 PER PACKAGE)	CHAPEAU PURGEUR SHR (3 PAR PAQUET)	807000023	X	X	X	X	X	X
46	DE-AERATOR CHROME	PURGEUR CHROME	807000024	X	X	X	X	X	X
47	O-RING ø13,94X2,62 DE-AER. (2 PER PACKAGE)	JOINT TORIQUE ø13,94X2,62 DE-AER. (2 PAR PAQUET)	809000028	X	X	X	X	X	X
48	BOLT M 3X30 VERZ. DIN84/4.8 (3 PER PACKAGE)	BOULON M 3X30 GALV.DIN84/4.8 (3 PAR PAQUET)	809000029	X	X	X	X	X	X
51	GASKET H.E./TOP PART OSS1	JOINT ECH.CHAL./PART SUPERIEURE OSS1	809000030	X	X				
	GASKET H.E./TOP PART OSS2	JOINT ECH.CHAL./PART SUPERIEURE OSS2	809000031				X	X	
52	GASKET BURNER/TOP PART OSS1	JOINT BRULEUR/PART SUPERIEURE OSS1	809000033	X	X				
	GASKET BURNER/TOP PART OSS2	JOINT BRULEUR/PART SUPERIEURE OSS2	809000034				X	X	
53	BURNER CASSETTE SET OSS1	KIT CASSETTE BRULEUR OSS1	806000010	X	X				
	BURNER CASSETTE SET OSS2	KIT CASSETTE BRULEUR OSS2	806000011				X	X	
54	SET INSULATION PIPE PLATE L+R	KIT ISOLATION ECHANGEUR CHALEUR G+D	809000036	X	X	X	X	X	X
55	O-RING ø17,12X2,62 PLUG HEATEXCH. (3 PER PACKAGE)	JOINT TORIQUE ø17,12X2,62 .BOUCH.ECHANG (3 PAR PAQUET)	809000103	X	X	X	X	X	X
56	METAL PLUG HEAT EXCH 1/2"	BOUCHON METAL ECHANGEUR CHAL. 1/2"	809000115	X	X	X	X	X	X
59	LIP-RING ø63 AMGAS	JOINT A LEVRE ø63 AMGAS	809000038	X	X				
	LIP-RING ø80 AMGAS	JOINT A LEVRE ø80 AMGAS	809000039				X	X	
60	PLUG FLUE GAS SENSOR	BOUCHON SONDE FUMEEES	809000040	X	X	X	X	X	X
61	CONDENSATE TRAY OSS1	BAC A CONDENSATS OSS1	809000041	X	X				
	CONDENSATE TRAY OSS2	BAC A CONDENSATION OSS2	809000042				X	X	
62	CLAMP BAR COND. TRAY	TIGE DE FIXATION BAC A CONDENSATION	809000044	X	X	X	X	X	X
63	BOLT M 5X12 IMBUS VERZ. (3 PER PACKAGE)	BOULON ALLEN M 5X12 GALV. (3 PAR PAQUET)	809000045	X	X	X	X	X	X
64	COVER GAS VALVE	CHAPEAU VANNE GAZ	809000046	X	X	X	X	X	X
76	BRACKET E75C, E110C, Q85S & Q130S	SUPPORT E75C, E110C, Q85S & Q130S	809000065	X	X	X	X	X	X
77	COVER AIR SUPPLY Ø80mm	CHAPEAU ASPIRATION AIR Ø80mm	807000075	X	X	X	X	X	X
78	CONCENTRIC FLUE ADAPTOR 80/125"MM	ADAPTATEUR CONCENTRIQUE 80/125"MM	808000023	X	X	X	X	X	X

Parts rear wall E-Series / Pièces façade arrière Série E



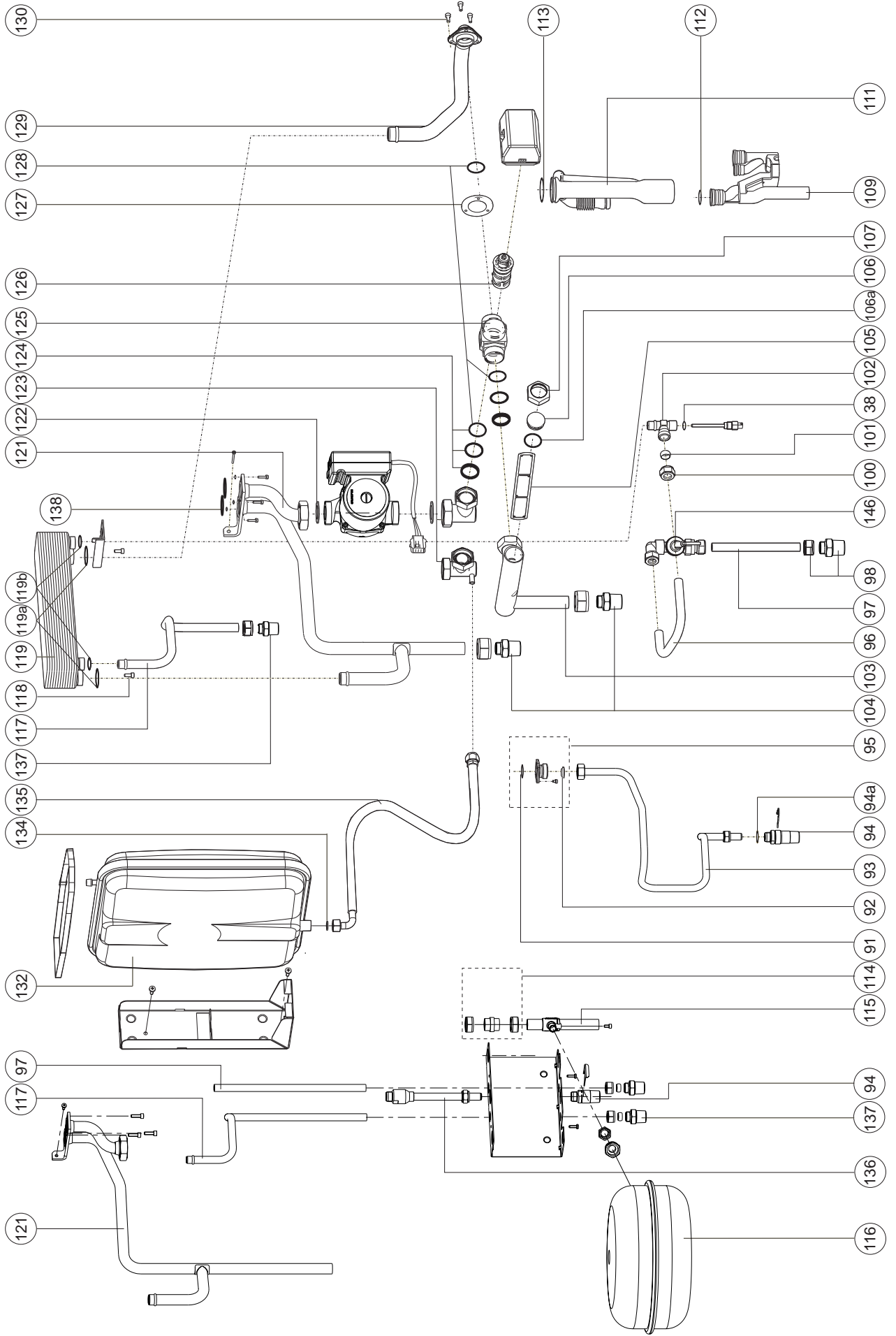
Item	Description	Description	Art. No. / Référence	E75C			E110C		
				N	P	OSS1	N	P	OSS2
80	GASKET AIR INTAKE ø80 SHR	JOINT ASPIRATION 'AIR ø80 SHR	8090000047	X	X		X	X	X
81	FLUE ADAPTER 80mm x 3"	ADAPTATEUR FUMÉES 80mm x 3"	8080000022	X	X		X	X	X
82	COVER AIR SUPPLY ø125mm	CHAPEAU ASPIRATION AIR ø125mm	8080000029	X	X		X	X	X
83	FLUE GAS SYSTEM PP SET OSS1	KIT SYSTÈME EVACUATION FUMÉES OSS1	8080000010	X	X		X		
	FLUE GAS SYSTEM PP SET OSS2	KIT SYSTÈME EVACUATION FUMÉES OSS2	8080000011					X	X
84	PLUG MEASURING POINT PARALLEL FLUE PIPE	BOUCHON POINT DE MESURE FUMÉES PARALLEL	8080000028	X	X		X	X	X
85	GASKET FLUE GAS PIPE PP	JOINT CONDUIT EVECUATION FUMÉES PP	8090000048	X	X		X	X	X
86	GASKET AIR SUPPLY ø125mm	JOINT ASPIRATION 'AIR 5"	8090000049	X	X		X	X	X
87	QUICK RELEASE SMALL E	VEROUILLAGÉ RAPIDE PETIT E	8090000078	X	X		X	X	X
88	QUICK RELEASE LARGE E	VEROUILLAGÉ RAPIDE GRAND E	8090000079	X	X		X	X	X
89	PLUG MEASURING POINT CONCENTRIC FLUE PIPE	BOUCHON POINT DE MESURE FUMÉES CONCENTRIQUE	8080000030	X	X		X	X	X

Parts pipes E-Series / Pièces des conduites de Série E



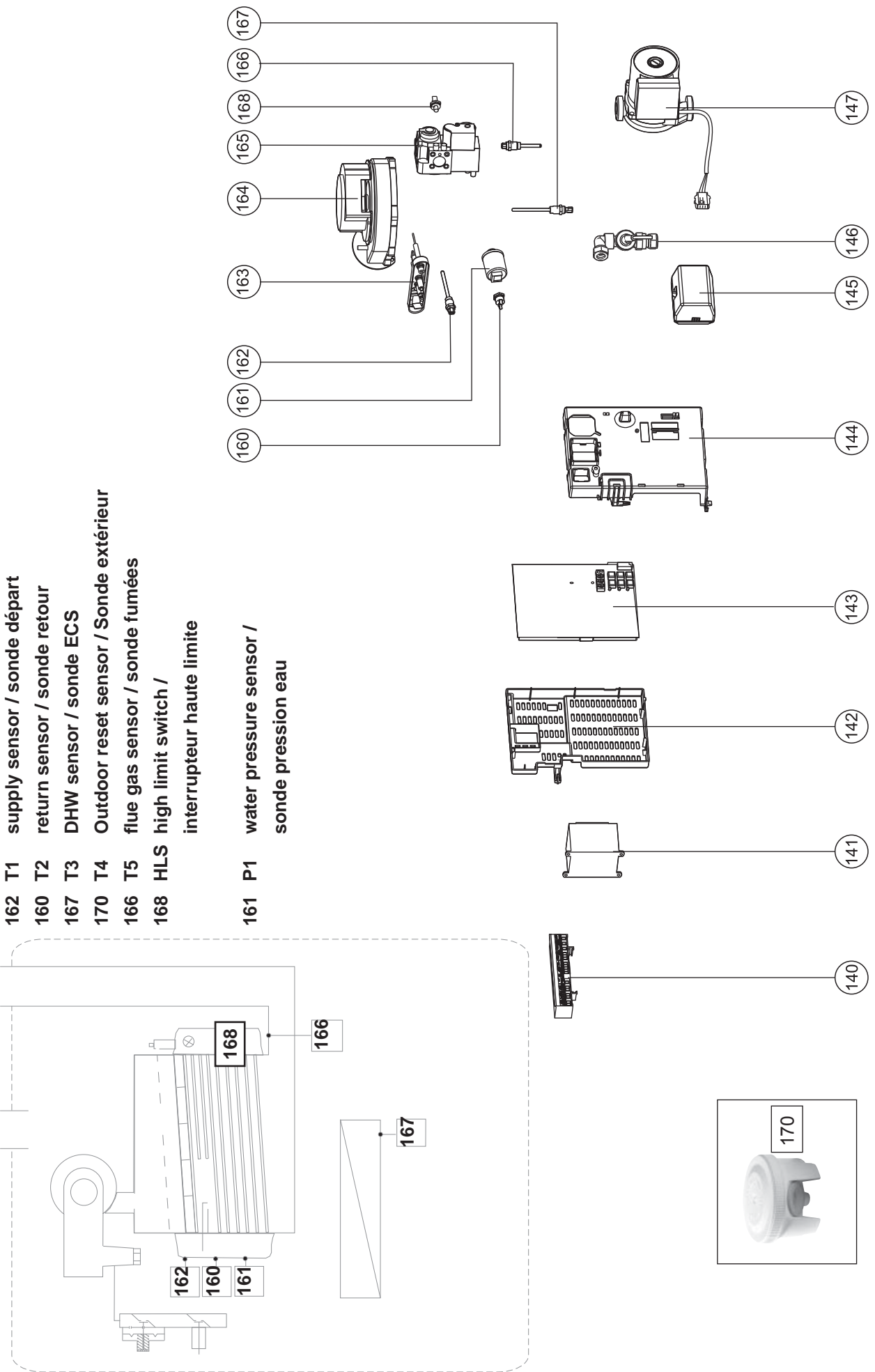
Item	Description	Description	Art. No. / Référence	E75C		E110C	
				N	P	N	P
				OSS1		OSS2	
91	O-RING ø21.89X2.62 GASLINE	JOINT TORIQUE ø21.89X2.62 CONDUITE GAZ	8090000061	X	X	X	X
92	GASKET FITTING 3/4" GASV.	JOINT RACCORD 3/4" VANNE GAZ	8090000062	X	X	X	X
93	GAS PIPE E75C	CONDUITE GAZ E75C	8060000020	X	X		
	GAS PIPE E110C	CONDUITE GAZ E110C	8060000021			X	X
94	GAS FITTING OSS1/2 E	RACCORD GAZ OSS1/2 E	806000015	X	X	X	X
94a	O-RING ø13.94X2.62 YELLOW SILIQ	JOINT TORIQUE ø13.94X2.62 SILI JAUNE Q	8090000055	X	X	X	X
95	FITTING GAS VALVE 3/4"	RACCORD VANNE GAZ 3/4"	806000016	X	X	X	X
96	PIPE BEND ø15 COLD WATER E	CONDUITE COURBE ø15 EAU FROIDE E	8070000082	X	X	X	X
97	PIPE ø15 COLD WATER E75C	CONDUITE ø15 EAU FROIDE E75C	8070000083	X	X		
	PIPE ø15 COLD WATER E110C	CONDUITE ø15 EAU FROIDE E110C	8070000084			X	X
98	CONNECTION SET 15 X 3/4" NPT INCL FLOW RESTRICTOR E75 WHITE	KIT DE RACC. 15X3/4" NPT INCL RESTR. E75C BLANC	8070000072	X	X		
	CONNECTION SETG1/2" X 3/4" NPT INCL FLOW RESTRICTOR E110 GREEN	KIT DE RACC. 1/2"X3/4" NPT INCL RESTR. E110C VERT	8070000073			X	X
100	NUT 1/2" G BRASS COMPR. 15	ECROU 1/2" G RACCORD BICON LAITON 15	8090000070	X	X	X	X
101	FERRULE COMPR FITTING 15MM	EMBOUT RACCORD BICON 15MM LAITON	8090000069	X	X	X	X
102	T-PIECE T3 E	PIECE T T3 E	8070000048	X	X	X	X
	O-RING ø5,00X2,00 FLOW SENSOR 5X	JOINT TORIQUE ø5,00X2,00 SONDE DEPART (5 PAR PAQUET)	8090000080	X	X	X	X
103	PIPE RET-3WV FILTER E	CONDUITE RET.-V3V FILTRE E	8070000049	X	X	X	X
104	CONNECTION SET 22 X 3/4" M-NPT	KIT DE RACCORDEMENT 22 X 3/4" NPT	8070000069	X	X	X	X
105	FILTER RETURN PIPE	FILTRE CONDUITE RETOUR Q	8070000029	X	X	X	X
106	FILTER CAP	CHAPEAU DE FILTRE	8070000031	X	X	X	X
106a	O-RING ø25,07 X 2,62 3WV	JOINT TORIQUE ø25,07 X 2,62 3WV	8090000058	X	X	X	X
107	NUT M35 ø30	ECROU M35 ø30	8090000059	X	X	X	X
109	CONDENSATE COLLECTOR	COLLECTEUR CONDENSAT	8090000081	X	X	X	X
111	TRAP - E SERIES	SIPHON SERIE E	809000100	X	X	X	X
112	O-RING ø40X3.53 TRAP TRAY	JOINT TORIQUE ø40X3.53 SIPHON - BAC A COND	8090000084	X	X	X	X
113	O-RING ø18.72X2.62 EPDM (3 PER PACKAGE)	JOINT TORIQUE ø40X3.53 BAC DE SIPHON Q	8090000052	X	X	X	X
114	CONNECTION SET 22MM X 22MM COMPR.	KIT DE RACCORDEMENT BICON 22MM X 22MM	8040000064			X	X
115	PIPE RET EXP VESSEL E110C	CONDUITE RETOUR VASE EXP E110C	8070000085			X	X

Parts pipes E-Series / Pièces des conduites de Série E



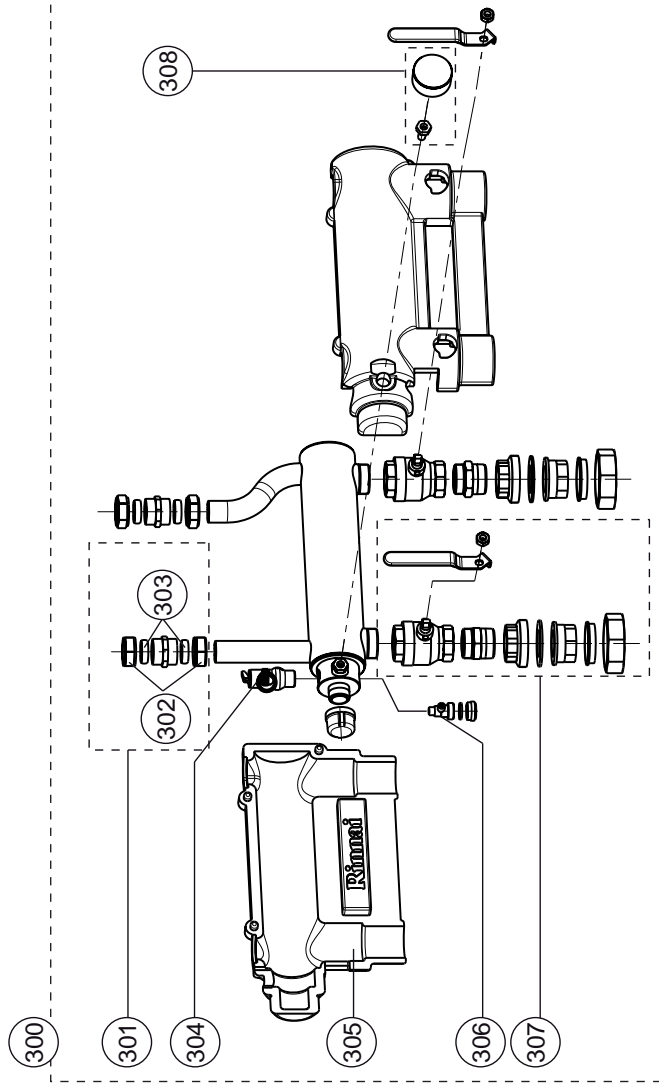
Item	Description	Description	Art. No. / Référence	E75C			E110C		
				N	P	OSS1	N	P	OSS2
116	EXPANSION VESSEL 12L E110C	VASE D'EXPANSION 12L E110C	807000052				X	X	
117	PIPE ø15 HOT WATER E75C	CONDUITE ø15 EAU CHAUDE E75C	807000053			X			
	PIPE ø15 HOT WATER E110C	CONDUITE ø15 EAU CHAUDE E110C	807000086				X	X	
118	BOLT M 5X12 IMBUS VERZ. (3 PER PACKAGE)	BOULON ALLEN M 5X12 GALV. (3 PAR PAQUET)	809000045			X	X	X	
119	PLATE EXCHANGER 24KW PF/ESHR	ECHANGEUR PLATTE 24KW E	807000054			X			
	PLATE EXCHANGER 35KIW PF/ESHR	ECHANGEUR PLATTE 35KW E	807000055				X	X	
119a	O-RING ø21.89X2.62 EPDM CH (2 PER PACKAGE)	JOINT TORIQUE ø21.89X2.62 EPDM CC (2 PAR PAQUET)	809000088			X	X	X	
119b	O-RING ø13.94X2.62 DHW (2 PER PACKAGE)	JOINT TORIQUE ø13.94X2.62 DE-AER. (2 PAR PAQUET)	809000028			X	X	X	
121	PIPE FLOW.PL.EXCH-CH E75C	CONDUITE DEPART ECH.PL. - CC E75C	807000058			X			
	PIPE FLOW.PL.EXCH-CH E110C	CONDUITE DEPART ECH.PL. - CC E110C	807000087				X	X	
	BOLT M6X20 SS IMB.BP.4.2 (3 PER PACKAGE)	BOULON ALLEN M6X20 SS BP.4.2 (3 PAR PAQUET)	809000089			3X	3X	3X	3X
122	GASKET PUMP (2 PER PACKAGE)	JOINT DE POMPE (2 PAR PAQUET)	809000056			X	X	X	
123	PIPE 3WV-PUMP E75C	CONDUITE V3V - POMPE E75C	807000060			X	X		
	PIPE 3WV-PUMP E110C	CONDUITE V3V - POMPE E110C	807000061				X	X	
124	NUT M35 ø30	ECROU M35 ø30	809000059			3X	3X	3X	3X
	O-RING ø26.70 X 1.78 (3 PER PACKAGE)	JOINT TORIQUE ø26.70 X 1.78 (3 PAR PAQUET)	809000091			3X	3X	3X	3X
	FITTING SET 3 WAY VALVE	KIT DE RACCORD VANNE 3 VOIES	807000062			X	X	X	
125	THREE WAY V. HOUSING VC O-RING	CORPS VANNE A 3 VOIES VC JOINT TORIQUE	809000057			X	X	X	
126	CARTRIDGE 3WV	CARTOUCHE V3V	807000030			X	X	X	
127	FLANGE 3WV	FLANGE 3WV	807000063			X	X	X	
128	O-RING ø26.70 X 1.78 (3 PER PACKAGE)	JOINT TORIQUE ø26.70 X 1.78 (3 PAR PAQUET)	809000091			X	X	X	
129	PIPE PL-EXCH-3WV E	CONDUITE ECH.PL - VANNE 3V E	807000064			X	X	X	
130	BOLT M 5X12 IMBUS VERZ. (3 PER PACKAGE)	BOULON ALLEN M 5X12 GALV. (3 PAR PAQUET)	809000045			X	X	X	
132	EXPANSION VESSEL 8L E75C	VASE D'EXPANSION 8L E75C	807000065			X	X		
134	GASKET 15X11X2 (5 PER PACKAGE)	JOINT 15X11X2 (5 PAR PAQUET)	809000092			X	X		
135	FLEXIBLE HOSE 3/8" BIX10MM CLAMP	TUYEAU FLEX. 3/8" BIX10MM CLAMP	807000066			X	X		
136	GAS PIPE EXTENDED E110C	CONDUITE GAZ EXTENSION E110C	806000024					X	X
137	CONNECTION SET 15 X 3/4" M-NPT	KIT DE RACCORDEMENT 15 X 3/4" NPT	807000068			X	X	X	X
138	O-RING ø29.74X3.53 FLOW/RET. (2 PER PACKAGE)	JOINT TORIQUE ø29.74X3.53 DEPART/RET. (2 PAR PAQUET)	809000064			2X	2X	2X	2X

Parts electrical components E-Series / Pièces des composants électrique Série E



Item	Description	Description	Art. No. / Référence	E75C			E110C		
				N	P	OSS1	N	P	OSS2
140	HARNESSE	HARNAIS E	805000041	X	X	X	X	X	X
	STICKER CONNECTION TERMINAL	AUTOCOLLANT CONNECTEURS TERMINAL	805000046	X	X	X	X	X	X
	CONNECTOR 2-POLE PURPLE	CONNECTEUR 2-POLES POURPRE	805000015	X	X	X	X	X	X
	CONNECTOR 3-POLE GRAY	CONNECTEUR 3-POLES GRIS	805000018	X	X	X	X	X	X
	CONNECTOR 4-POLE BROWN	CONNECTEUR 4-POLES BRUN	805000021	X	X	X	X	X	X
	CONNECTOR 2-POLE BLACK	CONNECTEUR 2-POLES NOIR	805000016	X	X	X	X	X	X
	CONNECTOR 6-POLE BLUE	CONNECTEUR 6-POLES BLEU	805000022	X	X	X	X	X	X
141	TRAF0 120V/24V	TRANSFO 120V/24V	805000010	X	X	X	X	X	X
	SCREW 3.5X 9.5 VERZ.D7983 (5 PER PACKAGE)	VIS 3.5X 9.5 GALV.D7983 (5 PAR PAQUET)	805000011	X	X	X	X	X	X
142	CASING CONTR.UNIT BACK E	BOITE DE COMMANDE ARRIERE	809000093	X	X	X	X	X	X
143	CONTROL UNIT MCBA 5417 E RAC	COMMANDE MCBA 5417 E RAC	805000025	X	X	X	X	X	X
	FUSE 5AF (3 PER PACKAGE)	FUSIBLE 5AF (3 PAR PAQUET)	805000026	X	X	X	X	X	X
	FUSE 4 AT (250V) (3 PER PACKAGE)	FUSIBLE 4 AT (250V) (3 PAR PAQUET)	805000027	X	X	X	X	X	X
144	CASING CONTR.UNIT FRONT E	BOITE DE COMMANDE FRONT	809000094	X	X	X	X	X	X
145	3WAY VALVE ACTUATOR VC2010	ACTIONNEUR DE VANNE 3 VOIES VC2010	805000030	X	X	X	X	X	X
	HARNESSE DHWE	HARNAIS ECS E	805000042	X	X	X	X	X	X
146	FLOW SWITCH 2.5LE	INTERRUPTEUR ECOULEMENT 2,5LE	805000043	X	X	X	X	X	X
147	PUMP UPS20-48 120V	POMPE UPS20-48 120V	807000038	X	X	X	X	X	X
	PUMP UPS20-58 120V	POMPE UPS20-58 120V	807000039						
160	NTC T2/T3	NTC T2/T3	805000032	X	X	X	X	X	X
161	WATERPRESSURE SENSOR	SONDE PRESSION EAU	805000034	X	X	X	X	X	X
	WATER PRESSURE SENSOR CABLE	CABLE SONDE PRESSION EAU	805000050	X	X	X	X	X	X
162	NTC T1/T3	NTC T1/T3	805000035	X	X	X	X	X	X
163	IGNITION ELECTRODE+GASKET OSS	ELECTRODE D'ALLUMAGE+JOINT OSS	805000036	X	X	X	X	X	X
	IGNITION CABLE SHR	CABLE D'ALLUMAGE SHR	805000037	X	X	X	X	X	X
	IONISATION WIRE SHR	CABLE D'IONISATION SHR	805000039	X	X	X	X	X	X
164	FAN NRG 118 OSS1/2	VENTILATEUR NRG 118 OSS1/2	808000020	X	X	X	X	X	X
	HARNESSE FAN 120V	HARNAIS VENTILATEUR 120V	805000038	X	X	X	X	X	X
165	GAS VALVE	VANNE GAZ	806000019	X	X	X	X	X	X
167	NTC T1/T3	NTC T1/T3	805000035	X	X	X	X	X	X
168	HIGH LIMIT SWITCH	INTERRUPTEUR HAUTE LIMITE	805000033	X	X	X	X	X	X
170	OUTDOOR RESET SENSOR ARV12	SONDE EXTERIEURE ARV12	805000047	X	X	X	X	X	X

Parts plumbing kit E-Series / Pièces des kit hydraulique Série E



Item	Description	Description	Art. No. / Référence		E75C		E110C	
					N	P	N	P
					OSS1		OSS2	
300	PLUMBING KIT #1 FOR E75C/E110C	KIT HYDRAULIQUE #2 POUR E75C/E110C	804000061		X	X	X	X
301	CONNECTION SET 22MM X 22MM COMPR.	KIT DE RACCORDEMENT BICON 22MM X 22MM	804000064		X	X	X	X
302	NUT COMPR FITTING 22MM	ECROU RACCORD BICON 22MM	804000056		X	X	X	X
303	FERRULE COMPR FITTING 22MM	EMBOUT RACCORD BICON 22MM	804000052		X	X	X	X
304	SAFETY VALVE 3/4" NPT	VANNE DE SECURITÉ KIT HYDRAULIQUE	807000077		X	X	X	X
305	INSULATION PACK PL. KIT 1/2	ISOLATION KIT HYDRAULIQUE 1/2	809000101		X	X	X	X
306	BOILER DRAIN VALVE 1/4" NPT X 3/4" GH	VANNE DE PURGE KIT HYDRAULIQUE	807000078		X	X	X	X
307	SERVICE BALL VALVE + DI-ELECTRIC 1 1/4"	VANNE DE SERVICE+RACCORD 1 1/4"NPT	807000079		X	X	X	X
308	T&P GAUGE 1/4"NPT + LOCK 1/2"	COMPTEUR T/P AVEC VEROUILLAGE EAU	807000081		X	X	X	X

Parts conversion kits Propane-Nat.gas E-Series / Pièces des kit de conversionGaz propane-Gaz natural Serie E

Propane Conversion Kit Parts		Kit de Conversion Gaz Propane	
Gasket Gas valve - venturi	809000017	X	809000017
Gasket Fitting 3/4" Gas valve	809000062	X	809000062
EE-Prom E-Series		LPG 804000015 E75CP	LPG 804000015 E75CP
Gas Conversion Sticker	8U340800	E75CP	E75CP
Conversion Kit label		X	X
Conversion Kit Data Label		E75CP	E110CP
Instructions Sheets Conversion Kit	8U605100	X	X
Propane orifice diameter	inch / mm	0.16" / 4.15	0.20" / 5.2
Display indication at start-up		22t.P	32t.P

Pièces de réchange Kit de Conversion Gaz Propane		Kit de Conversion Gaz Propane	
Joint vanne de gaz - venturi	809000017	X	X
Joint raccord 3/4" vanne de gaz	809000062	X	X
EE-Prom Série E		LPG 804000015 E75CP	LPG 804000015 E75CP
Étiquette Conversion de gaz	8U340800	E75CP	E75CP
Étiquette Kit de Conversion		X	X
Étiquette des Date		E75CP	E110CP
Instructions Kit de Conversion	8U605100	X	X
Diamètre d'orifice Propane	inch / mm	0.16" / 4.15	0.20" / 5.2
Indication dans l'écan à mise en service		22t.P	32t.P

Natural Gas Conversion Kit Parts		Kit de Conversion Gaz Natural	
Gasket Gas valve - venturi	809000017	X	809000017
Gasket Fitting 3/4" Gas valve	809000062	X	809000062
EE-Prom E-Series		NAT 804000023 E75CN	NAT 804000023 E75CN
Gas Conversion Sticker	8U340700	E75CN	E75CN
Conversion Kit label		X	X
Conversion Kit Data Label		E75CN	E110CN
Instructions Sheets Conversion Kit	8U605100	X	X
Display indication at start-up		22t.1	32t.1

Pièces de réchange Kit de Conversion Gaz Natural		Kit de Conversion Gaz Natural	
Joint vanne de gaz - venturi	809000017	X	X
Joint raccord 3/4" vanne de gaz	809000062	X	X
EE-Prom Série E		NAT 804000023 E75CN	NAT 804000024 E110CN
Étiquette Conversion de gaz	8U340700	E75CN	E75CN
Étiquette Kit de Conversion		X	X
Étiquette des Date		E75CN	E110CN
Instructions Kit de Conversion	8U605100	X	X
Indication dans l'écan à mise en service		22t.1	32t.1

17 Parts list vent system

Vent Products

Listed and Tested Vent Products for E75C, E110C, Q85S, QP85, Q130S, QP130, Q175S, Q175C and Q205S

Manufacturer	Descriptions	Parts #	
Heatfab	DGV 3"/5" Conc Air Intake Tee 3"	DGV03TAD3	
	Concentric	DGV 3"/5" Conc X 12" Length	DGV03L12
		DGV 3"/5" Conc X 31" Length	DGV03L36
		DGV 3"/5" Conc Horz Term Adapter	DGV03HT
		DGV 3"/5" Conc Vert Term Adapter	DGV03VT
		Rain Cap	SGV300
	Twin Pipe	3"- Adapter to fit into 80 mm Flue Collar	adapter
		3"- 12 Length	SGV302
		3"- 31" Length	SGV307
		3"- 90 Deg Tr Elbow	SGV314
		3"- Screen Termination	SGV392
		3"- Round Wall Thimble Pate	SGV393
	3"- Tall Cone Flashing, Flat- 2/12 Pitch	SGV3TCF	

Manufacturer	Descriptions	Parts #
IPEX	Concentric Vent Termination	1CT0303
	PVC - FGV Concentric Kit	196006
	PVC - FGV Wall Termination Kit	81219
	CPVC - FGV Concentric Vent Kit	197009
	Termination Vent Screen	196051

Manufacturer	Descriptions	Parts #
Simpson Dura-Vent	3" (76mm) SS flexible lining system	3SFLEX-XX 294590
	3" (76mm) FasNSeal Flex-to-FasNSeal Adapter female	304003
	3" (76mm) FasNSeal-to-FasNSeal Adapter Flexible male	304103
	80mm to 3" Appliance Adapter	FSA-80MM3
	Vertical termination	300325
	3" (76mm) Bend 90 Degree	300160
	3x5 AL294C Concentric (12" Straight Pipe)	35CVS-12
	3x5 AL294C Concentric (36" Straight Pipe)	35CVS-36
	3x5 AL294C Concentric (48" Straight Pipe)	35CVS-48
	3x5 AL294C Concentric (90° Elbow)	35CVS-E90
	3x5 AL294C Concentric (45° Elbow)	35CVS-E45
	3x5 AL294C Concentric (Wall Strap)	35CVS-WS
	3x5 AL294C Concentric (Horizontal Cap)	35CVS-HC
	3x5 AL294C Concentric (Vertical Cap)	35CVS-VC
	3x5 Sealed Combustion 6" Vent Length	SC-0603
	3x5 Sealed Combustion 12" Vent Length	SC-1203
	3x5 Sealed Combustion 18" Vent Length	SC-1803
	3x5 Sealed Combustion 24" Vent Length	SC-2403
	3x5 Sealed Combustion 36" Vent Length	SC-36-3
	3x5 Sealed Combustion Adjustable Vent Length	SC-AVL3
	3x5 Sealed Combustion 94° Elbow	SC-94033
	Wall Kit (w/Cap)	FSSCWMK35
	Roof Kit (w/cap)	FSSCTRK35

Manufacturer	Descriptions	Parts #	
Rinnai/ Ubbink	1 Meter Sections of PP/PVC, 3"/5"	224080	
	90 Degree, Male x Female, PP/PVC, 3"/5"	224078	
	Horizontal PP Termination, 21 inch	223175	
	Vertical PP Termination	184162	
	Condensing Raised Horizontal Termination Snorkel Kit	224047PP	
	Condensing 45 Deg. Vent Pipe Elbow 2 pcs	224077PP	
	Stainless Steel:	1 Meter Sections of SS/PVC, 3"/5"	224204SS
		90 Degree, Male x Female, SS/PVC, 3"/5"	224201SS
		Horizontal SS Termination, 21 inch	223178SS
		Vertical SS Termination	184221SS

Manufacturer	Descriptions	Parts #
York International	3" PVC Concentric Vent Termination	1CT0303

Manufacturer	Descriptions	Parts #
CentroTherm	3"/4" B-Vent Chimney Cover	IABC0304
	3"/5" B-Vent Chimney Cover	IABC0305
	3"/6" B-Vent Chimney Cover	IABC0306
	3"/7" B-Vent Chimney Cover	IABC0307
	3" Connector Ring	IANS03
	3" Support Clamp	IASC03
	3" Spacer	IASP03
	3" Screens PPs-UV Black	IASPP03
	3" Bird Screen SS	IASSS03
	3" Wall Plate Black	IAWP03B
	3" Wall Plate White	IAWP03W
	3" Twin Pipe to 3"/5" Concentric Adaptor	ICTC0335
	3" Base Support	ISBS0387
	3" Chimney Cover SS w/PPs-UV End Pipe	ISCM03
	3" Chimney Cover PPs-UV Black	ISCP03
	3" Chimney Cover SS w/SS End Pipe	ISCS03
	3" x 45° Elbow	ISEL0345
	3" x 87° Elbow	ISEL0387
	3" x 45° Elbow Long	ISELL0345
	3" x 45° Elbow Long PPs-UV Black	ISELL0345UV
	3" x 87° Elbow Long	ISELL0387
	3" x 87° Elbow Long PPs-UV Black	ISELL0387UV
	3" x 87° Sweep Elbow	ISELR0387
	3" x 20" End Pipe PPs-UV Black	ISEP03
	3" x 39" End Pipe PPs-UV Black	ISEP0339
	3" Single Wall EDPM Gasket	ISGE03
	3" Horizontal Drain Tee	ISHDT03
	3" Low Profile Wall Termination	ISLPT0303
	3" Tee	IST03
	3" Test Port	ISTP03
	3" Termination Tee Long	ISTT0320
	3" x 12" Vent Length	ISVL031
	3" x 24" Vent Length	ISVL032
	3" x 24" Vent Length PPs-UV Black	ISVL032UV
	3" x 36" Vent Length	ISVL033
	3" x 39" Vent Length UV Black	ISVL0339UV
	3" x 72" Vent Length	ISVL036
	3"/5" Concentric Roof Termination PPs-UV	ICRT3539
	3"/5" Concentric Wall Termination PPs-UV	ICWT352
	3" to 2" Velocity Cone	ISVC0302

Miscellaneous		
Terminal	General PVC 1120 3" SCH 40 DWV ASTM D 2665 900 Elbow	
Air Intake Pipe	PVC 1120 3" SCH 40 DWV ASTM D 2665	
Vent Pipe	PVC 1120 3" SCH 40 DWV ASTM D 2665	

Informations de contact des fabricants pour Instructions d'installation et Listes des pièces:

Heat-Fab

Téléphone: 800-772-0739
Fax: 413-863-4803
cystsvc@heat-fab.com
www.heatfab.com

IPEX

Téléphone: 800-463-9572
905-403-0264
Fax: 905-403-9195
www.ipexamerica.com

Simpson Dura-Vent

Téléphone: 518-463-7284
Fax: 518-463-5271
sales@duravent.com
www.protechinfo.com

Rinnai/Ubbink

Téléphone: 800-621-9419
Fax: 678-829-1666
www.rinnai.us

York International

Téléphone: 405-364-4040
877-874-7378
www.york.com/products/unitary/

CENTROTHERM Eco System

Téléphone: 877-434-3432
Fax: 518-618-3166
info@centrotherm.us.com
www.centrotherm.us.com

18 Common venting guidelines

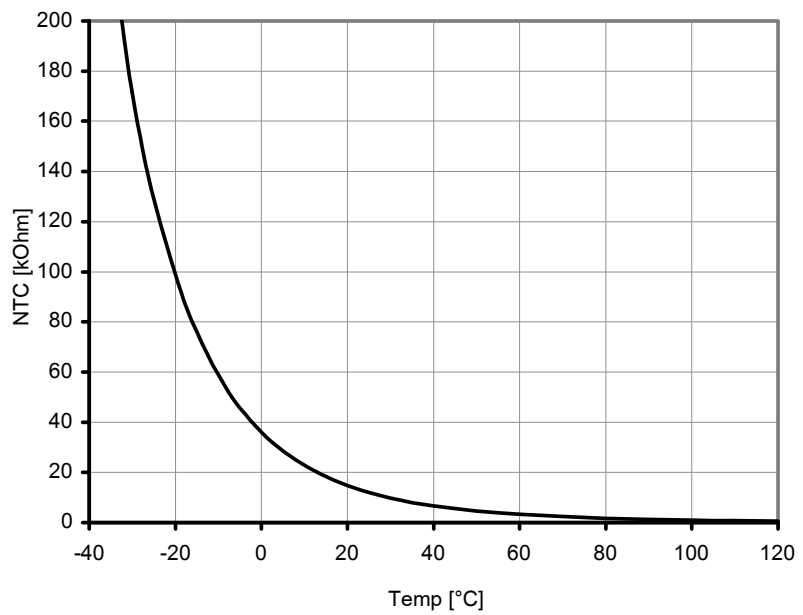
Do not common vent with the vent pipe of any other boiler or appliance. However, when an existing boiler is removed from a common venting system, the common venting system is likely to be too large for proper venting of the appliances remaining connected to it. At the time of removal of an existing boiler, the following steps shall be followed with each appliance remaining connected to the common venting system placed in operation, while the other appliances remaining connected to the common venting system are not in operation:

- (a) Seal any unused openings in the common venting system.
- (b) Visually inspect the venting system for proper size and horizontal pitch and determine there is no blockage or restriction, leakage, corrosion and other deficiencies which could cause an unsafe condition.
- (c) Insofar as is practical, close all building doors and windows and all doors between the space in which the appliances remaining connected to the common venting system are located and other spaces of the building. Turn on clothes dryers and any appliance not connected to the common venting system. Turn on any exhaust fans, such as range hoods and bathroom exhausts, so they will operate at maximum speed. Do not operate a summer exhaust fan. Close fireplace dampers.
- (d) Place in operation the appliance being inspected. Follow the lighting instructions. Adjust thermostat so appliance will operate continuously
- (e) Test for spillage at the draft hood relief opening after 5 minutes of main burner operation. Use the flame of a match or candle, or smoke from a cigarette, cigar or pipe.
- (f) After it has been determined that each appliance remaining connected to the common venting system properly vents when tested as outlined above, return doors, windows, exhaust fans, fireplace dampers and any other gas burning appliance to their previous condition of use."
- (g) Any improper operation of the common venting system should be corrected so the installation conforms with the National Fuel Gas Code, ANSI Z223.1/NFPA 54 and/or CAN/CSA B149.1, Natural Gas and Propane Installation Code. When resizing any portion of the common venting system, the common venting system should be resized to approach the minimum size as determined using the appropriate tables in Appendix F in the National Fuel Gas Code, ANSI Z223.1/NFPA 54 and/or CAN/CSA B149.1, Natural Gas and Propane Installation Codes.

Appendix A - Outdoor Reset Sensor Data

R 25 °C	12 kΩ
R 100 ° C	950 Ω
B _{25/85}	3750 K
Temperature coefficient	-4,2 %/K

Temp [°C]	NTC [kOhm]
-30	171.70
-20	98.82
-10	58.82
0	36.10
10	22.79
20	14.77
25	12.00
30	9.81
40	6.65
50	4.61
60	3.25
70	2.34
80	1.71
90	1.27
100	0.95
110	0.73
120	0.56



Appendix B - Resistance table NTC sensors

Temp °F	NTC 12K (12kΩ/77°F) supply sensor T1 return sensor T2 DHW sensor T3 outside sensor T4 flue gas sensor T5
------------	--

-4	98,000
-0.4	90,000
3.2	82,000
6.8	74,000
10.4	66,000
14	58,000
17.6	53,500
21.2	49,000
24.8	45,000
28.4	40,500
32	36,000
35.6	33,500
39.2	30,900
42.8	28,200
46.4	25,600
50	23,000
53.6	21,400
57.2	19,900
60.8	18,100
64.4	16,600
68	15,000
71.6	14,000
75.2	12,900
78.8	11,900
82.4	10,850
86	9,800
89.6	9,100
93.2	8,500
96.8	7,900
100.4	7,200
104	6,500
113	5,600
122	4,600
131	4,000
140	3,400
158	2,300
176	1,700
194	1,300

Resistance table NTC-Sensors

Instructions d'installation & d'entretien

Chaudière gaz à condensation haut rendement E75CN/E110CN E75CP/E110CP



Illustré: E75CN, E110CN
E75CP, E110CP

ATTENTION!

Lisez entièrement ce manuel avant l'installation, l'entretien, la mise en service ou l'utilisation de cette chaudière et du système d'évacuation fumées.

AVERTISSEMENT!

Une installation, un réglage, une modification, une réparation ou un entretien non conforme peut entraîner des dommages matériels, des blessures corporelles (exposition à des matières dangereuses) ou la mort. Lisez attentivement le mode d'emploi fourni avec la chaudière. L'installation et l'entretien doivent être effectués par un professionnel agréé ou un service d'entretien qualifié ou le fournisseur de gaz (qui doit lire et respecter les instructions fournies avant de faire l'installation, l'entretien ou l'enlèvement de la chaudière et les respecter).

ATTENTION!

Le manuel d'utilisation fait partie de la documentation fournie à l'opérateur de l'installation. Parcourez les informations de ce manuel avec le propriétaire/opérateur et assurez-vous qu'ils sont familiarisés avec toutes les instructions nécessaires pour le fonctionnement.

REMARQUE!

L'installation et l'entretien doivent être effectués par un professionnel agréé, un technicien d'entretien qualifié ou par le fournisseur de gaz.



AVERTISSEMENT! Assurez-vous de bien suivre les instructions données dans cette notice pour réduire au minimum le risque d'incendie ou d'explosion et pour éviter tout dommage matériel, toute blessure corporelle ou la mort.

- Ne pas entreposer ni utiliser d'essence ni d'autres vapeurs ou liquides inflammables dans le voisinage de cet appareil ou de tout autre appareil.
- **QUE FAIRE SI VOUS SENTEZ UNE ODEUR DE GAZ:**
 - N'allumer aucun appareil.
 - Ne touchez à aucun interrupteur.
 - Ne pas vous servir des téléphones dans le bâtiment où vous vous trouvez.
 - Appelez immédiatement votre fournisseur de gaz depuis un voisin. Suivez les instructions du fournisseur.
 - Si vous ne pouvez joindre le fournisseur de gaz, appelez le service des incendies.

Rinnai®

EXPERIENCE OUR INNOVATION™

Adresse: 103 International Drive, Peachtree City, GA, 30269
Gratuit: 1-800-621-9419 • Fax: 678-829-1666 • www.rinnai.us



Ces instructions sont à conserver par l'utilisateur.

Contenu des instructions

Ces instructions d'installation contiennent d'importantes informations pour l'installation, le démarrage et la maintenance en toute sécurité des chaudières d'une capacité de 75 000 à 110 000 BTUH.

Ces instructions d'installation sont destinées aux professionnels agréés qui ont une connaissance suffisante et sont agréés pour travailler sur les systèmes de chauffage et de gaz.

Susceptible de modifications techniques

Des modifications peuvent être effectuées sur les illustrations, les étapes du processus et les données techniques résultant de notre politique d'amélioration continue.

Mise à jour de la documentation

Veillez nous contacter si vous avez des suggestions d'améliorations ou de corrections.

Vous trouverez nos informations de contact au dos de ce manuel.

Pour le manuel en français, consultez notre site internet www.rinnai.us

Sommaire

1	Sécurité et instructions générales.....	104	7	Connexions électriques.....	146
1.1	Utilisation prévue.....	104	8	Commandes chaudière.....	150
1.2	Définitions des dangers.....	104	8.1	Explication des touches de fonctions.....	151
1.3	Définition des Symboles.....	104	9	Démarrage : Remplissage et purge de la chaudière et de l'installation.....	152
1.4	Les instructions suivantes doivent être suivies.....	105	9.1	Exigences du circuit d'eau.....	152
1.5	Suivez ces instructions pour l'eau de chauffage des locaux.....	106	9.2	Remplissage du circuit de chauffage.....	153
1.6	Outils, matériel et équipement supplémentaires.....	107	9.3	Production d'eau chaude.....	154
1.7	Manuels d'installation, d'entretien et d'utilisation importants.....	107	10	Réglages.....	156
1.8	Mise au rebut.....	107	10.1	Modification des réglages.....	156
2	Règlements et directives.....	107	10.2	Activation des réglages d'usine (fonction touche vert) ...	159
3	Description de la chaudière.....	108	11	Isoler de la chaudière.....	159
4	Emballage et transport.....	109	12	Mise en service.....	160
4.1	Contenu de la livraison.....	109	12.1	Recherche des fuites de gaz.....	160
4.2	Transport.....	109	12.2	Test du dispositif d'arrêt de sécurité de l'allumage.....	161
5	Installation.....	110	12.3	Vérification de l'O ₂	162
5.1	Exigences pour la chaufferie.....	110	12.4	Mesure du courant d'ionisation.....	163
5.2	Raccordement de la chaudière.....	111	12.5	Installation de l'habillage.....	164
5.3	Dimensions.....	112	13	Maintenance.....	164
5.3.1	Kits hydraulique.....	115	13.1	Examen périodique des systèmes d'évacuation fumées et de la chaudière.....	164
5.3.2	Espaces autour de la chaudière.....	116	13.2	Inspection 164.....	164
5.4	Spécifications techniques.....	117	13.2.1	Recherche visuelle des signes généraux de corrosion ...	165
6	Raccordement de la chaudière.....	118	13.2.2	Mesure du courant d'ionisation.....	165
6.1	Système de chauffage central.....	118	13.2.3	Mesure de la pression du gaz d'entrée.....	165
6.1.1	Installation du kit hydraulique.....	120	13.2.4	Recherche des fuites de gaz.....	165
6.1.2	Kit pour bouteille casse-pression montage latéral.....	124	13.2.5	Réalisation d'un test de pression sur le système de chauffage.....	165
6.1.2	Soupape de sûreté.....	124	13.2.6	Vérification des systèmes d'évacuation fumées.....	165
6.1.3	Pressostat en cas de manque d'eau.....	124	13.3	Opérations de maintenance.....	166
6.2	Vase d'expansion de chaudière.....	125	13.3.1	Reset du compteur des intervalles d'entretien.....	169
6.3	Système de chauffage par le sol (tuyaux en plastique).....	125	13.4	Garantie limitée.....	169
6.4	Raccordement au gaz.....	125	14	Pièces de la chaudière.....	170
6.4.1	Raccordement au gaz naturel.....	126	15	Blocages et erreurs.....	172
6.4.2	Raccordement au gaz propane.....	127	15.1	Indications d'erreurs (références courtes).....	172
6.5	Alimentation en eau chaude.....	128	15.2	Blocages.....	173
6.5.1	Qualité de l'eau sanitaire.....	128	15.3	Erreurs.....	174
6.5.2	Accessoires de traitement d'eau sanitaire.....	128	15.4	Autres erreurs.....	178
6.5.3	Installation d'une vanne thermostatique de mélange.....	129	16	Pièces de réchange.....	80
6.5.4	Vase d'expansion ECS.....	129	17	Liste des pièces du système d'évacuation.....	180
6.5.5	Installation d'un kit de vanne.....	130	18	Directives d'évacuation commune.....	182
6.5.6	Soupape de sûreté pour chaudières Combi.....	130		Annexe A – Données de la sonde extérieure de reset.....	183
6.5.7	Programmation du préchauffage de l'ECS.....	130		Annexe B - Tableau de résistance des sondes NTC.....	184
6.6	Evacuation condensats.....	131			
6.7	Système d'évacuation fumées et d'aspiration air.....	132			
6.7.1	Directives aspiration / évacuation.....	132			
6.7.1	Exemples de systèmes concentriques.....	133			
6.7.2b	Exemples de systèmes parallèles.....	134			
6.7.3	Installation du système d'évacuation.....	135			
6.7.3.1	Conversion chaudière de concentrique vers parallèle.....	136			
6.7.3.1	Installer le filtre à air.....	136			
6.7.4	Position recommandée des terminaux évacuation/aspiration.....	137			
6.7.5	Installation vent direct en placard ou en alcôve.....	139			
6.7.6	Dimensionnement du conduit d'évacuation fumées et d'aspiration air.....	140			
6.7.7	Longueurs des conduits d'air de combustion et d'évacuation fumées.....	141			
6.7.8	Calcul du facteur de compensation.....	142			
6.7.9	Système d'air ambiant (air de combustion intérieur- configuration C).....	143			

1 Sécurité et instructions générales

Veillez observer ces instructions dans l'intérêt de votre propre sécurité.

1.1 Utilisation prévue

La chaudière est conçue pour chauffer de l'eau pour un circuit de chauffage central et, si d'application, pour produire de l'eau chaude sanitaire. La chaudière est livrée avec une commande brûleur (MCBA) préinstallée. La chaudière peut être équipée d'une sonde de reset extérieure modulante ARV12 (livrée avec la chaudière), ou d'un thermostat Marche/Arrêt ou d'un interrupteur de fin de course du panneau de relais (accessoires).

1.2 Définitions des dangers

Les termes définis ci-après sont utilisés dans toute la documentation pour attirer l'attention sur la présence de dangers de divers niveaux de risque. Des remarques donnent d'importantes informations sur le fonctionnement du produit.



DANGER

DANGER:

Indique la présence de dangers qui peuvent provoquer des blessures corporelles graves, la mort ou des dégâts matériels importants.



AVERTISSEMENT

AVERTISSEMENT :

Indique la présence de dangers qui peuvent provoquer des blessures corporelles graves, la mort ou des dégâts matériels importants.



ATTENTION

ATTENTION :

Indique la présence de dangers qui vont ou peuvent provoquer des blessures corporelles mineures ou des dégâts matériels.



ATTENTION

ATTENTION :

Risque de choc électrique. Indique la présence de dangers dus à un choc électrique.



REMARQUE

REMARQUE :

Indique des instructions particulières sur l'installation, le fonctionnement ou la maintenance qui sont importantes mais non liées à des blessures corporelles ou des dégâts matériels.

1.3 Définition des Symboles

Les symboles (sécurité) ci-après peuvent apparaître dans ces instructions d'installation et sur l'appareil :



Ce symbole indique que l'appareil doit être entreposé à l'écart des conditions de gel.



Ce symbole indique que l'emballage et/ou le contenu peuvent être endommagés à cause de négligence pendant le transport.



Ce symbole indique que, lorsqu'il est encore dans son emballage, l'appareil doit être protégé des conditions météorologiques pendant le transport et l'entreposage.

1.4 Les instructions suivantes doivent être suivies

- La chaudière ne doit être utilisée que pour son usage prévu, tel que décrit dans les instructions d'installation.
- Chaque appareil est équipé d'une plaque signalétique. Consultez les détails de cette plaque pour vérifier si la chaudière est conforme à son emplacement prévu, par exemple : type de gaz, source d'alimentation et classification d'évacuation.
- N'utilisez la chaudière qu'avec les accessoires et les pièces de rechange indiqués dans la liste.
- Les autres combinaisons, accessoires et consommables ne peuvent être utilisés que s'ils sont spécifiquement désignés pour l'application prévue et n'affectent pas les performances du système et les conditions de sécurité.
- La maintenance et les réparations doivent être effectuées par des professionnels agréés.
- L'installation d'une chaudière à gaz à condensation doit être signalée à la société de distribution de gaz concernée et avoir été agréée.
- Vous n'êtes autorisé à faire fonctionner la chaudière gaz à condensation qu'avec le système d'évacuation spécialement conçu et agréé pour ce type de chaudière
- Veuillez noter que l'autorisation locale pour le système d'évacuation fumées et le raccordement de l'évacuation des condensats au réseau public d'égouts peut être exigée.

Vous devez également respecter :

- Les codes locaux du bâtiment qui stipulent les règles d'installation.
- Les codes locaux du bâtiment concernant les systèmes d'aspiration air et évacuation fumées et le raccordement de la cheminée.
- Les règlements pour le raccordement de l'alimentation électrique.
- Les règles techniques établies par la société de distribution de gaz concernant le raccordement du gaz au seueur gaz local.
- Les instructions et les normes concernant le matériel de sécurité pour le système de chauffage de l'eau/des locaux.
- Les instructions d'installation pour les installations de chauffage des bâtiments.
- La chaudière doit être située dans une zone où des fuites à la chaudière ou aux raccordements n'entraînent pas de dommage à la zone adjacente à la chaudière ou aux étages inférieurs de la structure. Si ces emplacements ne peuvent être évités, il est recommandé d'installer un bac adéquat pour l'évacuation sous la chaudière.
- La chaudière doit être installée de sorte que tous les composants soient protégés de l'eau (gouttes, pulvérisation, pluie, etc.) pendant le fonctionnement et l'entretien de la chaudière.
- La chaudière ne doit pas être installée sur ou contre de la moquette.
- Ne pas restreindre ou condamner les ouvertures d'aspiration air ou d'évacuation fumées
- Si vous constatez un défaut quelconque, vous devez informer le propriétaire du système du défaut et du danger associé par écrit.



AVERTISSEMENT

Le fait de ne pas effectuer une mise en service appropriée de la chaudière telle que décrite à la section 13 peut provoquer un fonctionnement peu fiable du brûleur, une vie réduite des composants et un fonctionnement dangereux de la chaudière.



DANGER

DANGER. Le gaz est inflammable et peut provoquer une explosion. Attention aux odeurs de gaz : il peut y avoir un danger d'explosion !

Assurez-vous de bien suivre les instructions données dans cette notice pour réduire au minimum le risque d'incendie ou d'explosion ou pour éviter tout dommage matériel, toute blessure ou la mort.

**AVERTISSEMENT**

- Ne pas entreposer ni utiliser d'essence ni d'autres vapeurs ou liquides inflammables dans le voisinage de cet appareil ou de tout autre appareil.

QUE FAIRE SI VOUS SENTEZ UNE ODEUR DE GAZ:

- Ne pas tenter d'allumer d'appareils.
- Ne touchez à aucun interrupteur.
- Ne pas vous servir des téléphones dans le bâtiment où vous vous trouvez.
- Appelez immédiatement votre fournisseur de gaz depuis un voisin. Suivez les instructions du fournisseur.
- Si vous ne pouvez joindre le fournisseur de gaz, appelez le service des incendies.

**AVERTISSEMENT**

En cas de surchauffe ou si l'alimentation gaz ne se ferme pas, ne pas couper ni débrancher l'alimentation électrique de la pompe. Fermez plutôt l'alimentation en gaz à un endroit à l'extérieur de la chaudière.

**REMARQUE**

Les substances chimiques corrosives naturellement sont pas peuvent être stockés ou utilisés près de la chaudière ou le termination d'évacuation fumées.

1.5 Suivez ces instructions pour l'eau de chauffage des locaux

De l'eau non adaptée au système de chauffage peut provoquer la formation de tartre ou de boue qui affectent l'efficacité de l'installation. Elle peut également provoquer de la corrosion et réduire la durée de vie de l'échangeur de chaleur.

- Vous devez suivre les directives de Rinnai pour la qualité de l'eau de la chaudière.
- Rincez soigneusement l'installation avant de la remplir.
- Suivez les instructions de nettoyage de Rinnai.
- N'utilisez jamais d'eau traitée par osmose inverse, ni d'eau dé-ionisée ou distillée pour adoucir l'eau pour remplir l'installation de chauffage.
- N'utilisez pas d'inhibiteurs ou d'autres additifs sauf ceux agréés par Rinnai pour cet usage!
- Lorsque vous voulez protéger l'installation de chauffage contre le gel, n'utilisez que des antigels agréés par Rinnai. La concentration autorisée est 50% maximum.
- Si vous utilisez des tuyaux perméables à l'oxygène, par exemple pour des systèmes de chauffage par le sol, vous devez séparer le circuit de la chaudière au moyen d'échangeurs de chaleur à plaques.
- Fermez le robinet de la chaudière lorsque vous rincez l'installation, n'introduisez pas de nettoyant système dans la boucle de la chaudière. Rincez soigneusement l'installation pour retirer tout le nettoyant avant de remplir la chaudière.

Antigels agréés: • Rhomar RhoGard Mutli-Metal (AL safe) • Sentinel X500
(concentration max. 50%) • Noble Noburst AL • Fernox Alphi 11

Nettoyants système agréés: • Noble Noburst Hydronic System Cleaner • Fernox F3 Cleaner
• Rhomar Hydro-Solv 9100 • Sentinel X400

**REMARQUE**

Les nettoyants pour circuit de NoBurst, Rhomar et Fernox ne doivent pas être utilisés dans la chaudière. La chaudière doit être isolée par des vannes (fermées) du reste du circuit ou débranchée, tant que du nettoyant se trouve dans le circuit. Le circuit doit être vidangé puis soigneusement rincé à l'eau propre pour évacuer tout le nettoyant du circuit.

Inhibiteurs agréés: • Rhomar Pro-tek 922 • Sentinel X100
• Noble Noburst AL inhibiteur

Voir les informations supplémentaires dans le manuel d'application de la chaudière Rinnai ou les chapitres 6 et 9 de ce manuel.

**REMARQUE**

Si des problèmes se produisent lors de l'utilisation d'eaux sanitaires avec une teneur en chlore supérieure à 150 mg/l, aucun recours aux termes de la garantie limitée n'est possible.

1.6 Outils, matériel et équipement supplémentaires

Pour l'installation et la maintenance de la chaudière, il vous faut :

- des outils standards pour le chauffage des locaux et les raccordements gaz et eau
- un manomètre numérique capable de lire les pressions positives et négatives
- un analyseur de combustion
(destiné à être utilisé avec des chaudières à condensation)
- un multimètre numérique
- un pH-mètre numérique
- des clés Allen métriques
- des clés à douille métriques

En outre, un chariot à main avec une sangle de maintien est utile.

Pour la maintenance de la chaudière, il vous faut, outre l'outillage standard pour le chauffage de locaux, et les raccordements gaz et eau, les éléments suivants :

- Trousse à outils Rinnai de série Q et E

1.7 Manuels d'installation, d'entretien et d'utilisation importants

- Système d'évacuation approuvé
- Manuel d'application des chaudières Rinnai

1.8 Mise au rebut

- Jetez l'emballage de la chaudière de manière écologique.
- Jetez les composants du système de chauffage (par exemple la chaudière ou le dispositif de commande) qui doivent être remplacés de manière responsable pour l'environnement.

2 Règlements et directives

L'installation doit être conforme aux exigences de l'autorité compétente ou, en l'absence de ces exigences, à la dernière édition du Code National du Gaz combustible, ANSI Z223.1/NFPA 54. Au Canada, l'installation doit être conforme aux exigences du code d'installation du gaz naturel et du propane CAN/CSA B149.1.

Lorsque c'est exigé par l'autorité compétente, l'installation doit être conforme à la Norme ANSI/ASME CSD-1 pour les dispositifs de Commande et de Sécurité pour les chaudières à allumage automatique.

Installez des détecteurs de CO conformément à la réglementation locale. La chaudière doit être inspectée tous les 2 ans ou 4000 heures et entretenue tous les 4 ans ou 8000 heures. Voir la section maintenance au chapitre 14.

Limites de fonctionnement de la chaudière :

Température max. de la chaudière : 176 °F (80 °C)

Pression max. de fonctionnement : 45 psi (3 bar)

Température max. de fonctionnement autorisée par l'ASME : 200 °F (93 °C)

Pression max. de fonctionnement autorisée par l'ASME : 45 psi (3 bar)

Le système de production d'eau chaude doit être conforme à tous les codes et règlements applicables. Lors du remplacement d'une chaudière existante, il est important de vérifier l'état de tout le système de distribution d'eau chaude pour s'assurer d'un fonctionnement en toute sécurité.

3 Description de la chaudière

Chaudière à chambre étanche

La chaudière aspire son air de combustion de l'extérieur puis évacue les fumées vers l'extérieur.

Condensation

Récupère autant que possible la chaleur des fumées. L'eau se condense sur l'échangeur de chaleur.

Modulation

Combustion continue plus ou moins forte selon la demande de chaleur.

La chaudière Rinnai E est une chaudière à condensation étanche (configuration C) et modulante, pourvue d'une production d'ECS intégrée.

La chaudière est équipée d'un échangeur de chaleur compact en acier inoxydable à tubes lisses. Cette conception est un principe bien conçu utilisant des matériaux durables.

La chaudière brûle du gaz pour fournir de la chaleur. La chaleur est transférée dans l'échangeur de chaleur vers l'eau dans le circuit de chauffage central. Par refroidissement des fumées, se forme de la condensation. Ceci permet un haut rendement. Les condensats, qui n'ont aucun effet sur l'échangeur de chaleur et le fonctionnement de la chaudière, sont évacués par le purgeur collecteur de condensats.

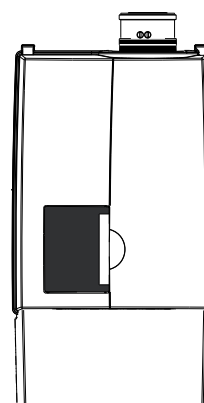
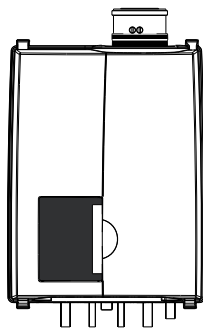
La chaudière est équipée d'un système de commande intelligent (SGC Système de gestion des commandes). La chaudière anticipe la demande de chaleur du système de chauffage central ou du système de production d'eau chaude sanitaire.

Lorsqu'une sonde extérieure est raccordée à la chaudière, celle-ci fonctionne suivant les conditions météorologiques à l'aide d'une réinitialisation extérieure. Cela signifie que la commande chaudière mesure la température extérieure et la température départ. Grâce à ces données, la chaudière calcule la température départ optimale pour l'installation.

Explication de l'indication du type : Rinnai E110CN

Q = Type _____
110 = Charge nominale en (x1,000) BTU _____
C = Combi _____
N = Gaz naturel (P = Gaz propane) _____

Différents types de chaudières:



Chaudières Combi avec système d'ECS intégrée
E75CN
E75CP
E110CN
E110CP

4 Emballage et transport

4.1 Contenu de la livraison

La chaudière est livrée prête à être utilisée.

- Veuillez vérifier si l'emballage est intact.
- Vérifiez si tous les éléments de la liste sont inclus dans la livraison.

Le kit fourni contient :

Description	Nombre	
	E75C N	E110C N
	E75C P	E110C P
Chaudière avec:		
Sonde extérieure ARV12	1	1
Anneau bicon Ø22 laiton	2	2
Anneau bicon Ø15 laiton	4	4
Chapeau aspiration air Ø120/Ø80	1	1
Joint système d'évacuation ø80	1	1
Sécurité traction de câble alim. Serie E	1	1
Vis 4,8X16mm	4	4
Ecrou W1.1/8x1/14 22 joint compr.	2	2
Vis 6X60mm	3	3
Joint à lèvres conduit fumées ø80	1	1
Passage + bouchon fumées	1	1
Capuchon purgeur	1	1
Restriction de débit MR01 FG 7,6L blanc	1	
Restriction de débit MR01 FG 17,5L vert		1
Raccord adaptateur 15mm x 3/4"NPT ext.	2	2
Ecrou 15mm raccord bicon	2	2
Adaptateur d'évac.fumées Ø80/Ø3" PPS UL ε	2	2
Support de montage mural	1	1
Kit hydraulique Serie E	1	1
Vanne gaz 3/4"	1	1
Connecteur d'alimentation tension 3 fils gris	1	1
Gabarit	1	1
Instructions d'installation & d'entretien	1	1
Mode d'emploi utilisateur	1	1
Document de garantie	1	1
Livre d'ICSL	1	1

4.2 Transport



ATTENTION

La chaudière peut être endommagée si elle n'est pas correctement sécurisée.

- Ne transportez la chaudière qu'au moyen d'un équipement de transport approprié, comme un chariot manuel avec une sangle de maintien ou un équipement spécial pour monter des marches.
- Pour son expédition la chaudière doit être sécurisée sur l'équipement de transport pour l'empêcher de chuter.
- Protégez toutes les pièces contre les chocs si elles doivent être transportées.
- Suivez les marquages de transport sur l'emballage.
- Les chaudières emballées doivent toujours être soulevées et transportées par deux personnes, ou bien vous devez utiliser un chariot manuel ou un équipement spécial pour le transport.

5 Installation

5.1 Exigences pour la chaufferie



DANGER

- La pièce dans laquelle la chaudière doit être installée doit toujours être protégée des conditions de gèle.
- N'entreposez pas ou n'utilisez pas d'essence ni d'autres vapeurs et liquides inflammables à proximité de cet appareil ou de tout autre appareil.
- N'utilisez ou n'entreposez jamais de détergents chlorés ou d'hydrocarbures halogénés (par exemple, en aérosols, des solvants et des détergents, des peintures, des adhésifs) à proximité de la chaudière.
- La chaudière doit être installée de façon à être protégée de l'eau (gouttes, pulvérisation, pluie, etc.) pendant son fonctionnement et son entretien (remplacement circulateur, évacuation condensats, remplacement commande, etc.)
- Cette chaudière est uniquement destinée à être installée à l'intérieur.

Produits à éviter dans la chaufferie et/ou à proximité de l'aspiration air de combustion

Aérosols contenant des chloro-/fluorocarbures
Ammonium et/ou solutions d'ammonium
Solutions à permanente (produits pour les cheveux)
Cires et/ou nettoyeurs chlorés
Produits chimiques pour piscines à base de chlore
Chlorure de calcium utilisé pour la décongélation
Chlorure de sodium utilisé pour l'adoucissement de l'eau
Fuites de fluide frigorigène
Décapants pour peintures ou vernis
Acide chlorhydrique/acide muriatique
Ciments et colles et colles fortes
Assouplisseurs antistatiques pour textiles utilisés dans les sèche-linge
Produits blanchissants de type chlore, détergents et solvants de nettoyage trouvés dans les buanderies familiales
Adhésifs utilisés pour fixer des produits de construction et autres produits similaires

Zones susceptibles de contenir des contaminants

Zones et établissements de nettoyage à sec/buanderie
Piscines
Usines de fabrication de métaux
Salons de beauté
Ateliers de réparation de réfrigération
Usines de traitement de photos
Ateliers de carrosserie
Usines de fabrication de plastiques
Zones et établissements de remise à neuf de mobilier
Construction de bâtiments neufs
Zones de remaniement
Garages avec ateliers

5.2 Raccordement de la chaudière



REMARQUE

- Retirez le matériel d'emballage.
- **Posez la chaudière sur le dos pendant son déballage. Lors du déballage, l'habillage peut être retiré de la chaudière. Cette partie peut être conservée à l'écart pendant l'installation. Elle doit être placée sur la chaudière et fixée à l'aide de la vis située derrière la porte, avant la mise en marche de la chaudière.**



REMARQUE

Tournez la chaudière sur le côté et retirez le support mural de l'arrière de la chaudière en enlevant les 2 vis.

La chaudière peut être montée pratiquement sur tous les murs avec le support de montage et le matériel de montage fourni.

- Le mur doit être plat et suffisamment résistant pour supporter le poids de la chaudière avec son contenu d'eau en toute sécurité.
- Veillez à garder l'espace nécessaire autour de la chaudière pour l'installation du système d'évacuation, de la tuyauterie et pour l'entretien. Voir les schémas en paragraphe 5.3.

L'emplacement de la chaudière peut être déterminé à l'aide du gabarit qui est imprimé à l'intérieur de l'emballage de la chaudière. N'oubliez pas de prendre en compte l'encombrement du kit hydraulique.

- Percez les trous nécessaires à l'aide du gabarit.
- Installez le support de montage au mur à l'aide du matériel de montage fourni.



ATTENTION

Précautions pour soulever et transporter.

Pour éviter toute blessure corporelle, veuillez suivre ces recommandations :

- **Soulevez toujours la chaudière à 2 personnes ou utilisez un équipement spécial.**
- **En soulevant la chaudière, pliez les genoux et maintenez votre dos droit et les pieds écartés.**
- **Ne pas soulever et tourner en même temps.**
- **Soulevez et portez la chaudière près du corps.**
- **Portez des vêtements de protection et des gants pour vous protéger des extrémités tranchantes.**

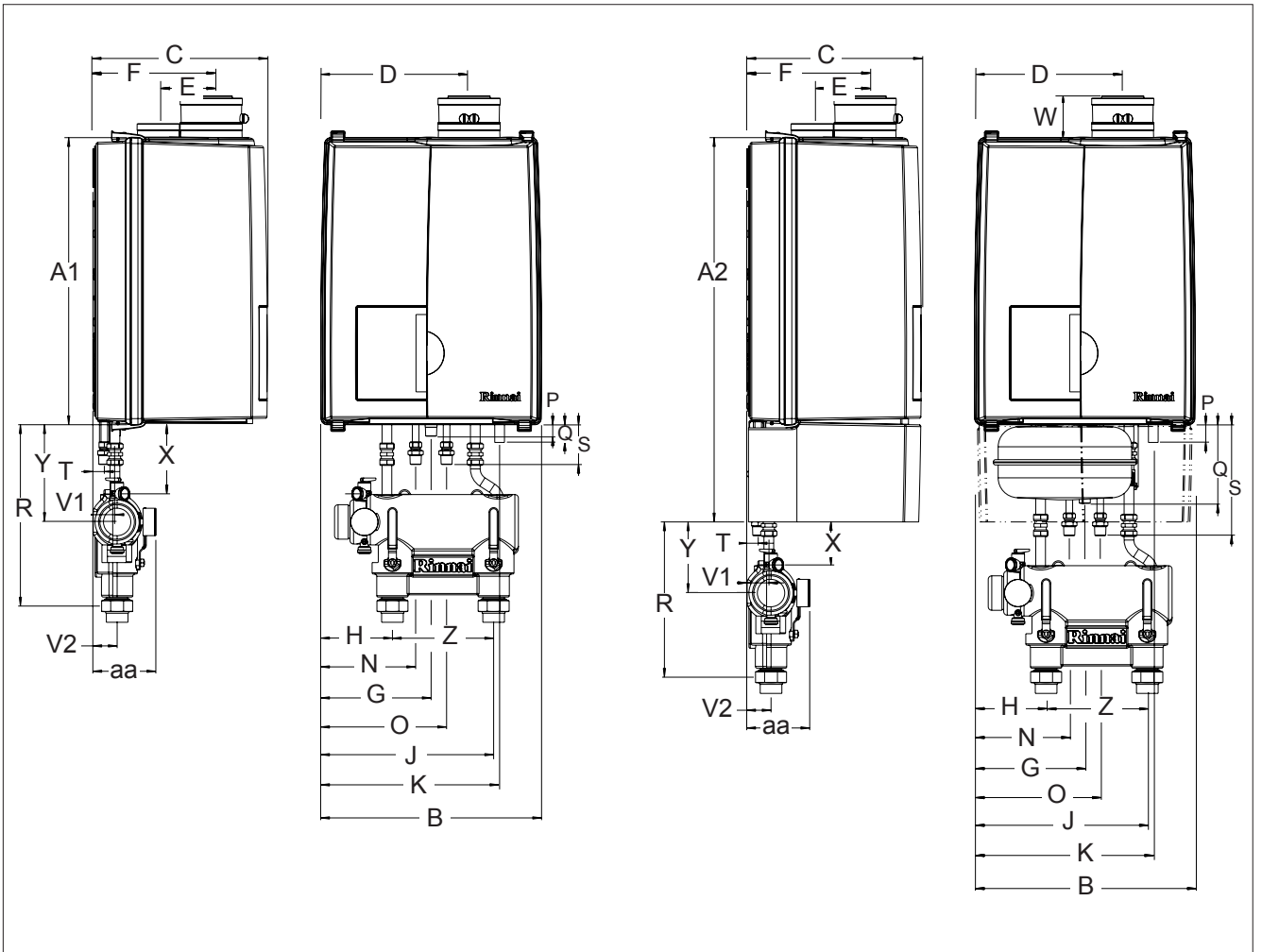


AVERTISSEMENT

Ne soulevez la chaudière que par sa paroi arrière.

- Jetez les matériaux d'emballage.

5.3 Dimensions



dimensions

figure 1

Dimensions

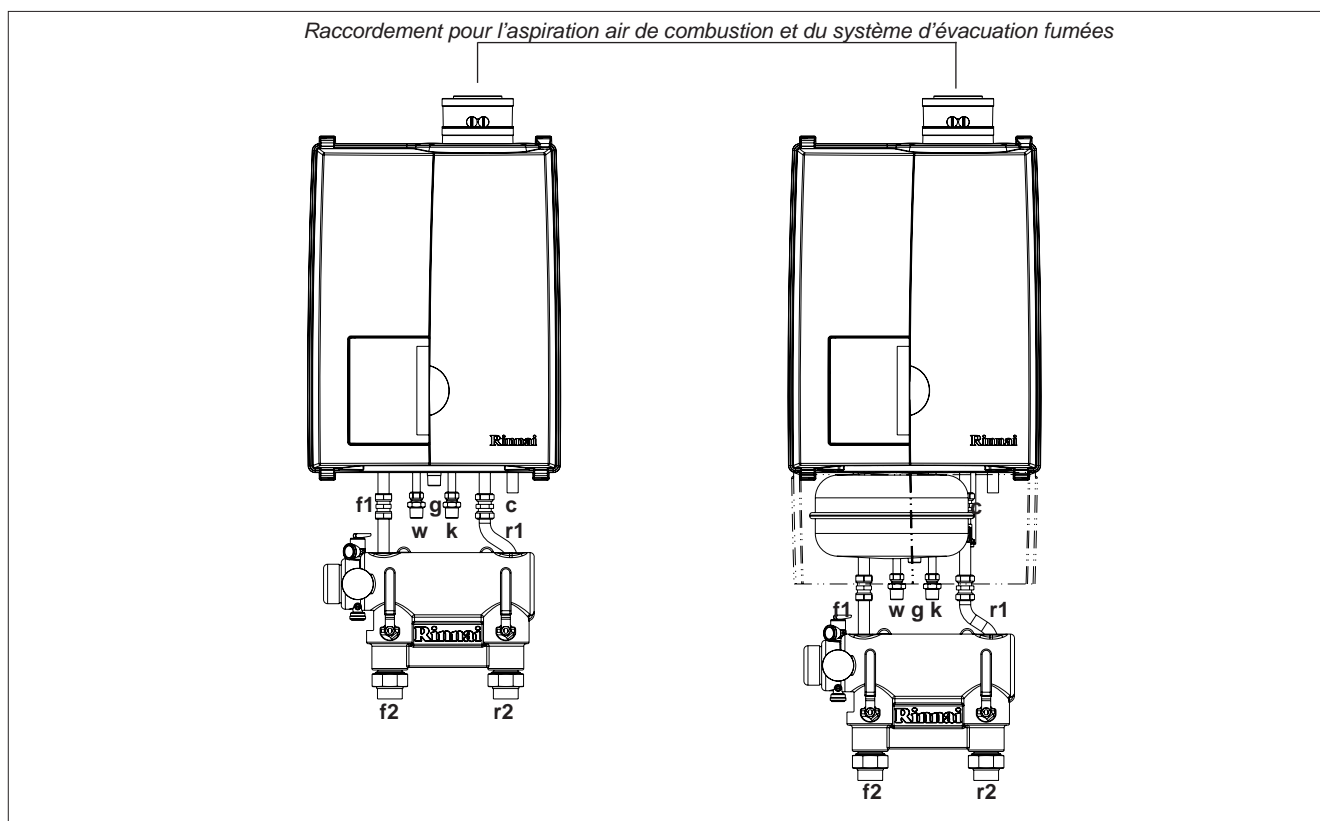
	Type de chaudière	Combi	
		E75CN E75CP	E110CN E110CP
		inches / mm	inches / mm
A1	Hauteur	25.6" / 650	25.6" / 650
A2	Hauteur avec vase d'expansion		34.3" / 870
B	Largeur	19.7" / 500	19.7" / 500
C	Profondeur	15.6" / 395	15.6" / 395
D	Côte gauche / évacuation	13.2" / 335	13.2" / 335
E	d'axe en axe évacuation et aspiration air	4.7" / 120	4.7" / 120
F	Arrière / évacuation	10.6" / 270	10.6" / 270
G	Côté gauche / conduite de gaz	9.8" / 250	9.8" / 250
H	Côté gauche / conduite de départ CC	5.9" / 150	5.9" / 150
J	Côté gauche / conduite de retour CC	13.8" / 350	13.8" / 350
K	Côté gauche / conduite de condensation	15.9" / 405	15.9" / 405
N	Côté gauche / conduite eau froide	11.2" / 285	11.2" / 285
O	Côté gauche / conduite eau chaude	8.5" / 215	8.5" / 215
P	Longueur conduite de g*	0.7" / 19	8.5" / 215
Q	Longueur conduite de c*	1.6" / 40	1.6" / 40
R	Longueur conduite de f et r*	16" / 410	13.8" / 351
S		2" / 50	6.3" / 160
T	Arrière / Axe de conduite c, k et w*	1" / 26	1" / 26
V1	Arrière / Axe de conduite f, g et r*	2" / 50	2" / 50
V2	Arrière / Axe de conduite f et r*	2.2" / 55	2.2" / 55
W	Longueur conduite d'évacuation co-axial	3.7" / 95	3.7" / 95
	Longueur conduite d'évacuation parallèle	7" / 177	7" / 177
X	Dessous chaudière/ axe vanne de sécurité	6" / 156	3.8" / 97
Y	Dessous chaudière/ axe bouteille casse-pression	8.7" / 221	6.4" / 162
Z	d'axe en axe de f et r*	9" / 229	9" / 229
aa	Profondeur kit hydraulique	5.6" / 143	5.6" / 143

*) Voir figure 2

dimensions

tableau 1

Dimensions



Raccordements de la chaudière

figure 2

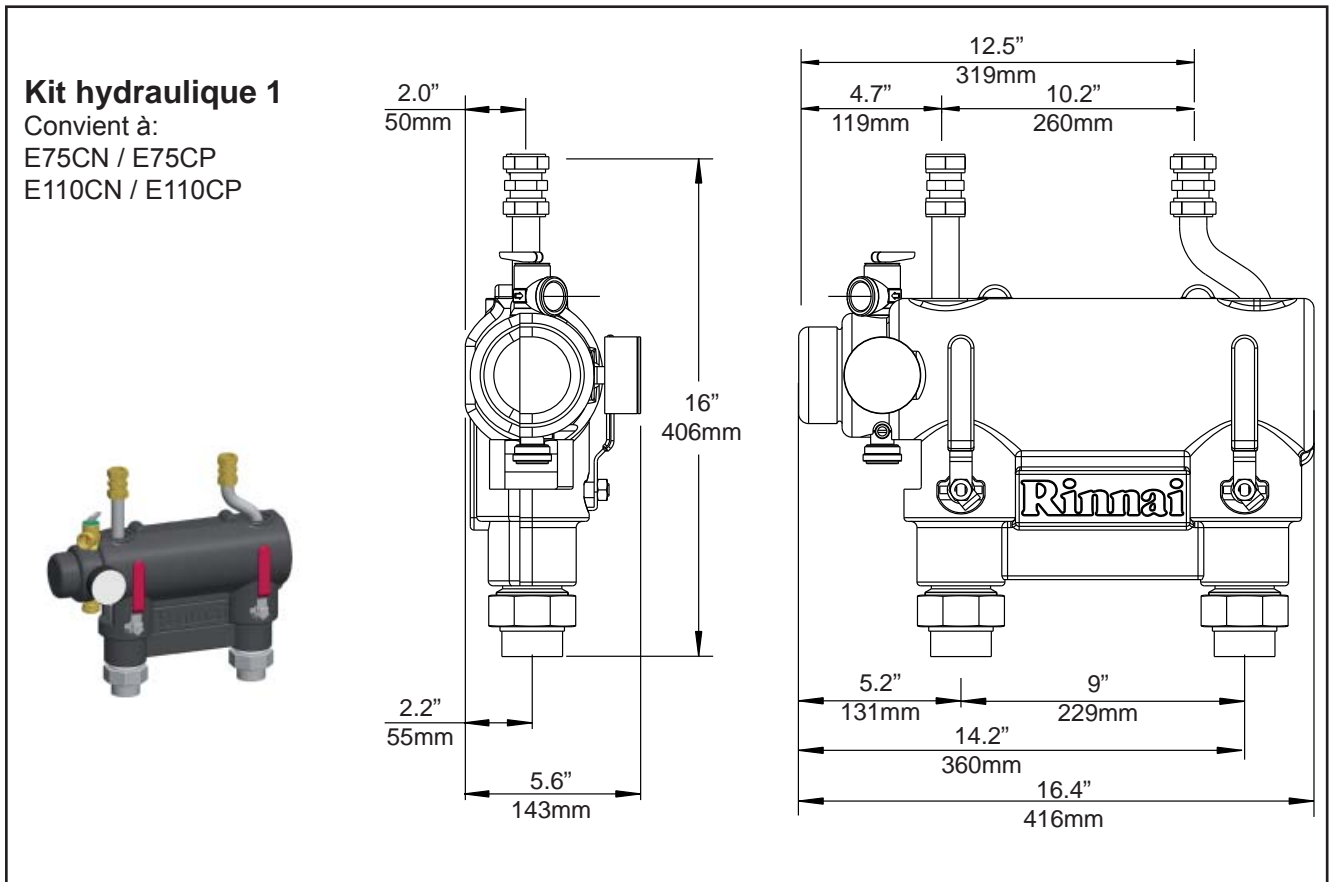
Type de chaudière	Combi	
	E75CN E75CP	E110CN E110CP
Évacuation / Aspiration air	80/125mm	80/125mm
Conduite gaz	g 3/4"M-NPT	3/4"M-NPT
Conduite départ CC	côté chaudière - f1	22mm
	côté système - f2	1 1/4"M-NPT
Conduite retour CC	côté chaudière - r1	22mm
	côté système - r2	1 1/4"M-NPT
Conduite condensats	c 0.87" / 22mm	0.87" / 22mm
Conduite eau froide	k 0.59" x 3/4"M-NPT /	G1/2"x
	15mm	3/4"M-NPT
Conduite eau chaude	w 0.59" x 3/4"M-NPT /	G1/2"x
	15mm	3/4"M-NPT

Diamètre des raccords

tableau 2

5.3.1 Kits hydraulique

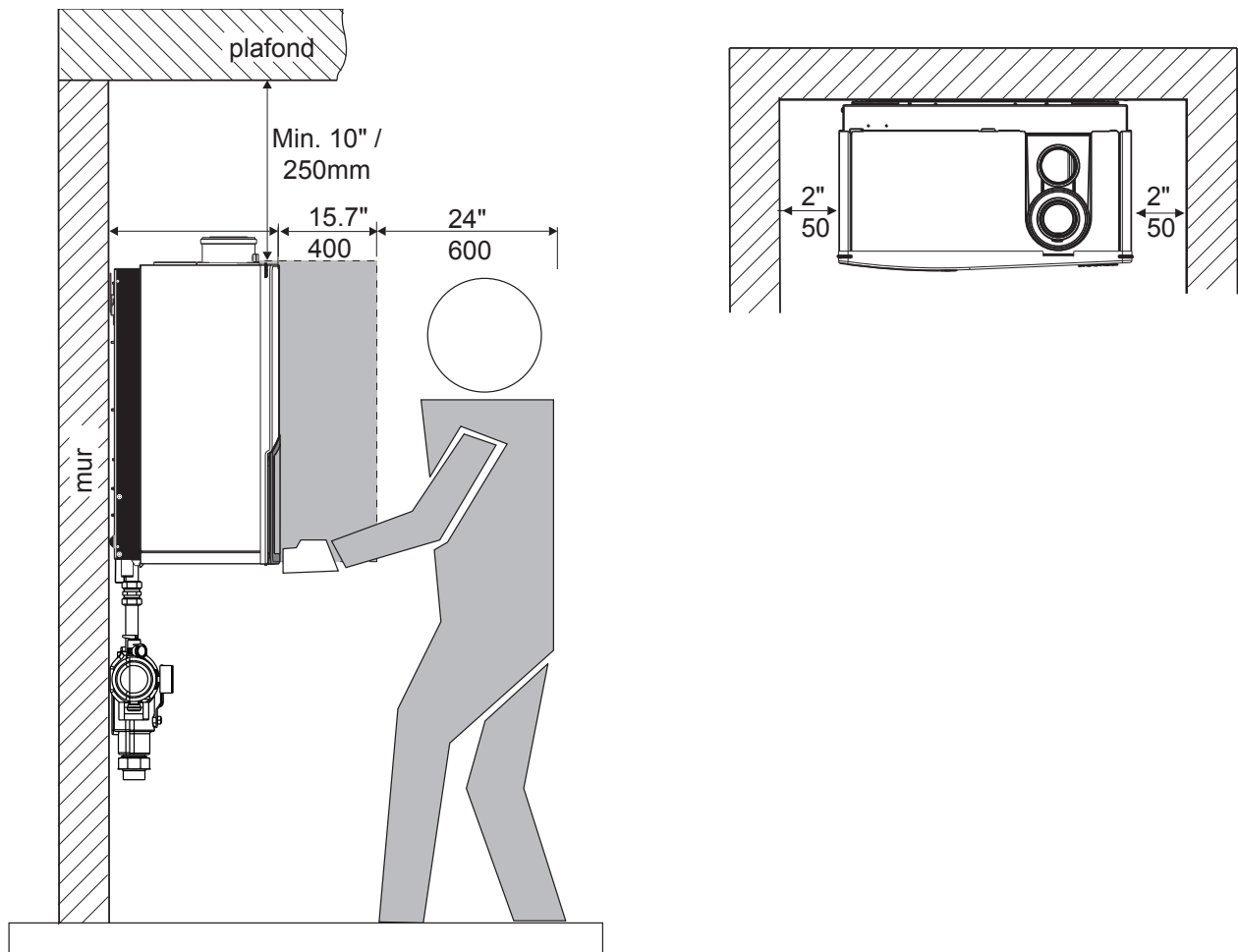
Rinnai équipe chaque type de chaudière d'un kit hydraulique. Vous trouverez ci-après les dimensions. Voir les informations supplémentaires au Chapitre 6.1.



kit hydraulique 1

figure 3

5.3.2 Espaces autour de la chaudière



Espaces autour de la chaudière

figure 4

	Espaces minimum autour jusqu'aux combustibles Tous types	Espaces minimum autour jusqu'aux non-combustibles Tous types	Espaces recommandés autour pour l'entretien Tous types
	inch / mm	inch / mm	inch / mm
Dessus chaudière	2" / 50	2" / 50	10" / 250
Arrière chaudière	0"	0"	0
Devant chaudière	6" / 150	6" / 150	24" / 600
Côté gauche chaudi	2" / 50	2" / 50	2" / 50
Côté droite chaudière	2" / 50	2" / 50	2" / 50
Sol / Terre jusqu'au fond de la chaudière	12" / 300	12" / 300	30" / 762
Sol / Terre jusqu'au fond de la bouteille casse-pression	0"	0"	12" / 300
Évacuation	0"	0"	0"

Espaces autour de la chaudière

tableau 3

Installation dans un placard : L'espace est de 1" / 25 mm de l'avant.

Bouteille casse-pression

L'espace vers le combustible et le non combustible est de 0 pouce pour les côtés, le dessus, l'avant et le sol/ terre.

L'espace recommandé pour l'entretien jusqu'au fond de la bouteille casse-pression est de 12" / 300mm.

5.4 Spécifications techniques

Type de chaudière		Séries E	
		Combi	
		E75CN E75CP	E110CN E110CP
Débit calorifique à valeur haute CC	BTU/hr	75,000	110,000
	kW	22	32
Q _n Débit calorifique non-condensé CC	BTU/hr	67,500	98,000
	kW	19.8	28.8
Q _n Débit calorifique EN677 rendement CC	BTU/hr	74,100	108,000
	kW	21.7	31.7
Q _n Débit calorifique AFUE CC	BTU/hr	72,400	105,700
	kW	21.2	30.7
Rendement à 98.6/86°F (36/30°C) charge partielle, débit calorifique, EN677 CC	%	98.8	99.0
AFUE selon IBR	%	95.5	95.5
O ₂ (à plein charge)	%	Gaz Naturel: 4.4 - 4.7 (Propane: 4.8 - 5.1)	
Consommation électrique maximum	W	145	
Consommation électrique en veille	W	14	
Type courant	V/Hz	120Vac/60Hz	
Indice fusibles	A	5AF & 4AT	
Degré de protection selon EN 60529		IPX4D (IPX0D en cas de système ouvert)	
Poids (vide)	lbs / kg	91 / 39	101 / 40
Contenance en eau CC	gallon / litres	0.9 / 3.5	1.3 / 5
Contenance en eau d'ECS	gallon / litres	0.13 / 0.5	0.18 / 0.7
Contenance en eau kit hydraulique	gallon / litres	0.55 / 2.1	
Temporisation pompe CC	min	5	
Temporisation pompe ECS	min	1	
P _{MS} Pression min./max. eau chauff.	PSI / bar	14 - 43 / 1 - 3	
P _{MW} Pression max. ECS	PSI / bar	150 / 10	
Température maximum eau de départ	°F / °C	176 / 80	
Type de pompe		UPS20-48	UPS20-58
Hauteur de refoulement disponible de la pompe CC (ΔT = 25K)	PSI / kPa	3.8 / 26	0.7 / 5
Approbations		ASME, CSA	
Débit ECS (à ΔT50°F)	gallon/min		4.6
Débit ECS (à ΔT27.8°C)	litres/min		17.4
Débit ECS (à ΔT75°F)	gallon/min	2.1	3.2
Débit ECS (à ΔT41.7°C)	litres/min	7.9	12.1
Débit ECS max.	gallon/min	2.1	4.6
	litres/min	7.9	17.4
Temperature ECS (T _{in} =50°F (10°C))	°F / °C	140 / 60	
Différence pression ECS	PSI / bar	2.9 / 0.2	4.4
Contenu de vase d'expansion	gallon / litres	2.1 / 8	3.1 / 12
Acceptance de contenu de vase d'expansion	gallon / litres	0.8 / 3	1.2 / 4.5
Pression pre-charge de vase d'expansion	PSI / bar	14.5 / 1	
Numéro de CSA		2183087	
Numéro de CRN		8101.7CL	

6 Raccordement de la chaudière

La chaudière est équipée des tuyaux de raccordement suivants :

- Les conduites du circuit de chauffage central.
Ils doivent être raccordés au kit hydraulique à l'aide de raccords d'adaptateur. Voir la suite au chapitre 6.1 ;
- Le conduite d'alimentation gaz.
Il est fourni avec un filetage mâle en 3/4" dans lequel le bout du raccord du robinet gaz peut être vissé. Voir la suite au chapitre 6.4 ;
- Conduites d'eau froide et d'eau chaude pour l'eau chaude sanitair (ECS).
Ils comprennent la conduite en cuivre de 3/4" (15 mm) et peuvent être raccordés à l'installation au moyen des raccords d'adaptateur M_NPT en 3/4". Voir la suite au chapitre 6.5
- La conduite d'évacuation des condensats.
Il consiste en une conduite en plastique ovale de 1" (22 mm). La conduite de purge peut y être raccordé au moyen d'une connexion ouverte. Si la connexion ouverte est raccordée à un emplacement différent, la conduite peut être alors rallongé au moyen d'un manchon en PVC de 1 po 1/4" (32 mm). Voir la suite au chapitre 6.6 ;
- Le système d'aération et le système d'alimentation en air.
Il consiste en un raccord concentrique de 3"/5" (125 mm). La chaudière peut être raccordée à un raccord double qui peut recevoir une conduite de 80 mm et une admission d'air ou à l'aide des adaptateurs d'évacuation et d'admission en 3 po en PVC / CPVC fournis. Voir la suite au chapitre 6.7 ;



REMARQUE

Le tuyau à raccorder à la chaudière doit être nettoyé avant d'être raccordé, pour empêcher la saleté d'entrer dans la chaudière et de l'endommager.

6.1 Système de chauffage central

Raccordez le système de chauffage central conformément aux instructions.

Les tuyaux de la chaudière peuvent être raccordés à l'installation au moyen des raccords bicon. Des réducteurs doivent être utilisés pour raccorder le tuyau à parois épaisses (soudé ou fileté).



REMARQUE

En retirant les bouchons d'étanchéité en plastique des tuyaux, de l'eau sale de test peut s'écouler de la chaudière.



REMARQUE

Un kit hydraulique doit être raccordé à la chaudière.



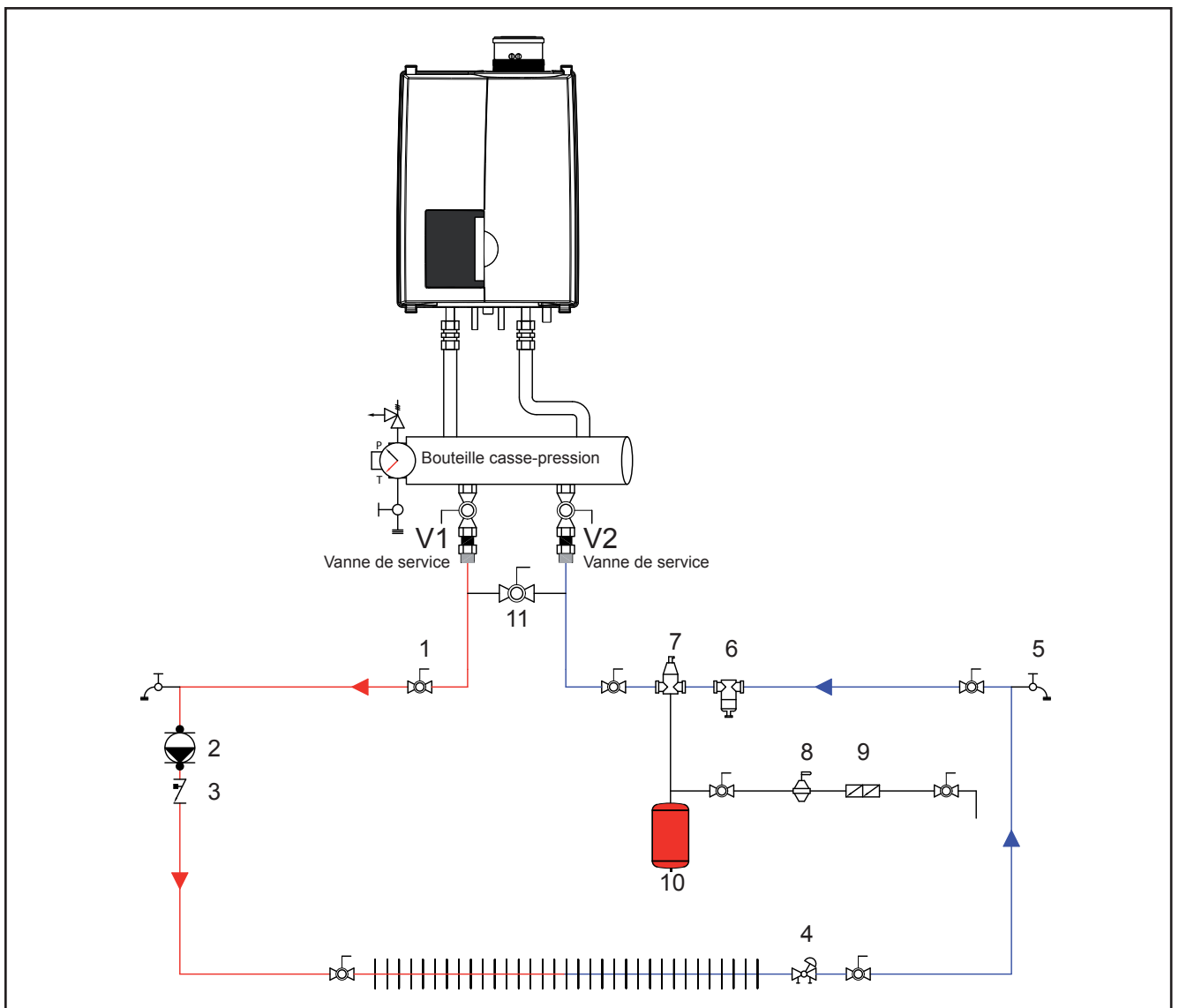
REMARQUE

La chaudière, lorsqu'elle est raccordée à un système de réfrigération, doit être installée de façon à ce que le support refroidi soit raccordé en parallèle à la chaudière à l'aide des vannes appropriées, pour empêcher le support refroidi d'entrer dans la chaudière.



REMARQUE

Le système de tuyauterie de la chaudière d'une chaudière à eau chaude raccordée à des serpentins chauffants situés dans des appareils de traitement de l'air où ils peuvent être exposés à une circulation d'air réfrigéré, doit être équipées de vannes de contrôle de débit ou d'autres moyens automatiques, pour empêcher la circulation par gravité de l'eau de la chaudière pendant le cycle de refroidissement.



Tuyauterie de base de chaudière

fig. 5

1. vanne d'isolement
2. circulateur de système
3. vanne d'inspection
4. vanne d'équilibrage
5. purgeur chaudière
6. collecteur d'impuretés
7. séparateur d'air
8. vanne de remplissage automatique
9. clapet anti-retour
10. vase d'expansion
11. by-pass pour rinçage de l'installation

6.1.1 Installation du kit hydraulique

REMARQUE

Rinnai fournit des kits hydrauliques spécifiques avec chaque type de chaudière, qui doivent être raccordés directement sous la chaudière au tuyau départ et retour. Consultez le chapitre 5.3 pour les dimensions l'utilisation de la chaudière Rinnai sans le kit hydraulique peut faire annuler la garantie.

Pour protéger tout le système de chauffage, nous recommandons d'installer un collecteur à particules de saletés dans le circuit de retour. Lorsque la chaudière est installée sur un système de chauffage existant, ce collecteur est obligatoire. L'utilisation d'un filtre à tamis en Y à la place d'un collecteur de saletés n'est pas autorisée.

- Installez immédiatement des vannes d'isolement avant et après le filtre à particules de saletés afin de permettre le nettoyage du collecteur.
- La position 3 (figure 8) est une purge de chaudière filetée de tuyau de jardin qui peut être utilisée pour vidanger la chaudière ou ajouter des produits de traitement d'eau au système, tels que des inhibiteurs ou du glycol.
- La position 4 (figure 8) est le raccordement départ pour un boiler indirect utilisé avec le kit de vannes 3 voies en option.
- Pour obtenir des informations sur l'emplacement du vase d'expansion et du remplissage du système, veuillez consulter le manuel d'application des chaudières Rinnai.

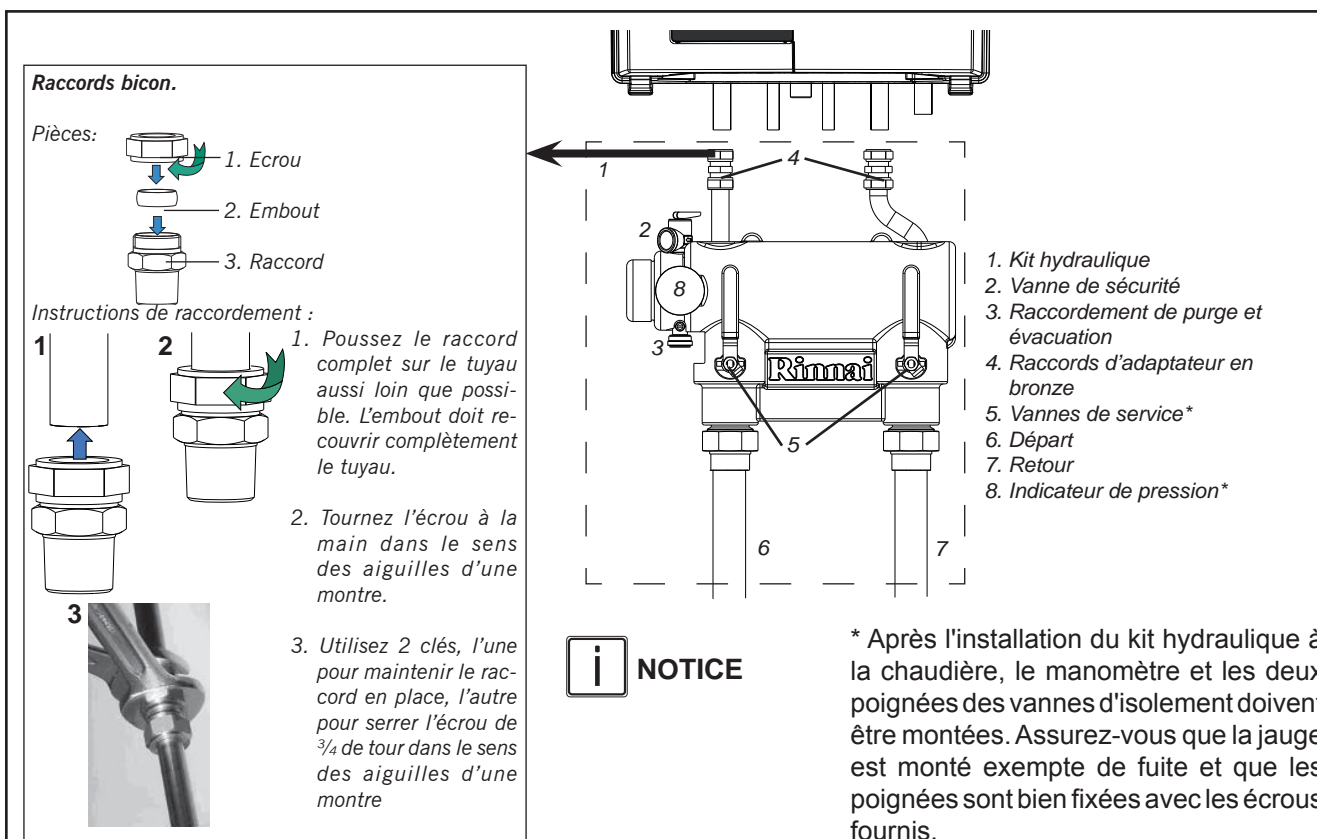
REMARQUE

Rincer soigneusement tous les tuyaux et radiateurs. Nous recommandons l'utilisation d'un nettoyant pour circuit agréé par Rinnai. Veuillez consulter la liste des nettoyants approuvés par Rinnai dans ce chapitre.

- Consultez le modèle d'installation et le chapitre 5.3 pour les dimensions de raccordement des tuyaux.
- Assemblez les raccords d'adaptateurs en bronze fournis avec la chaudière (fig. 6, pos. 4) d'abord avec le nécessaire de plomberie puis à la chaudière.

REMARQUE

Le kit hydraulique n'est pas conçu pour supporter le poids de la tuyauterie. Des supports de tuyauterie appropriés doivent être utilisés pour soutenir tous les tuyaux attachés à la chaudière et le kit hydraulique.

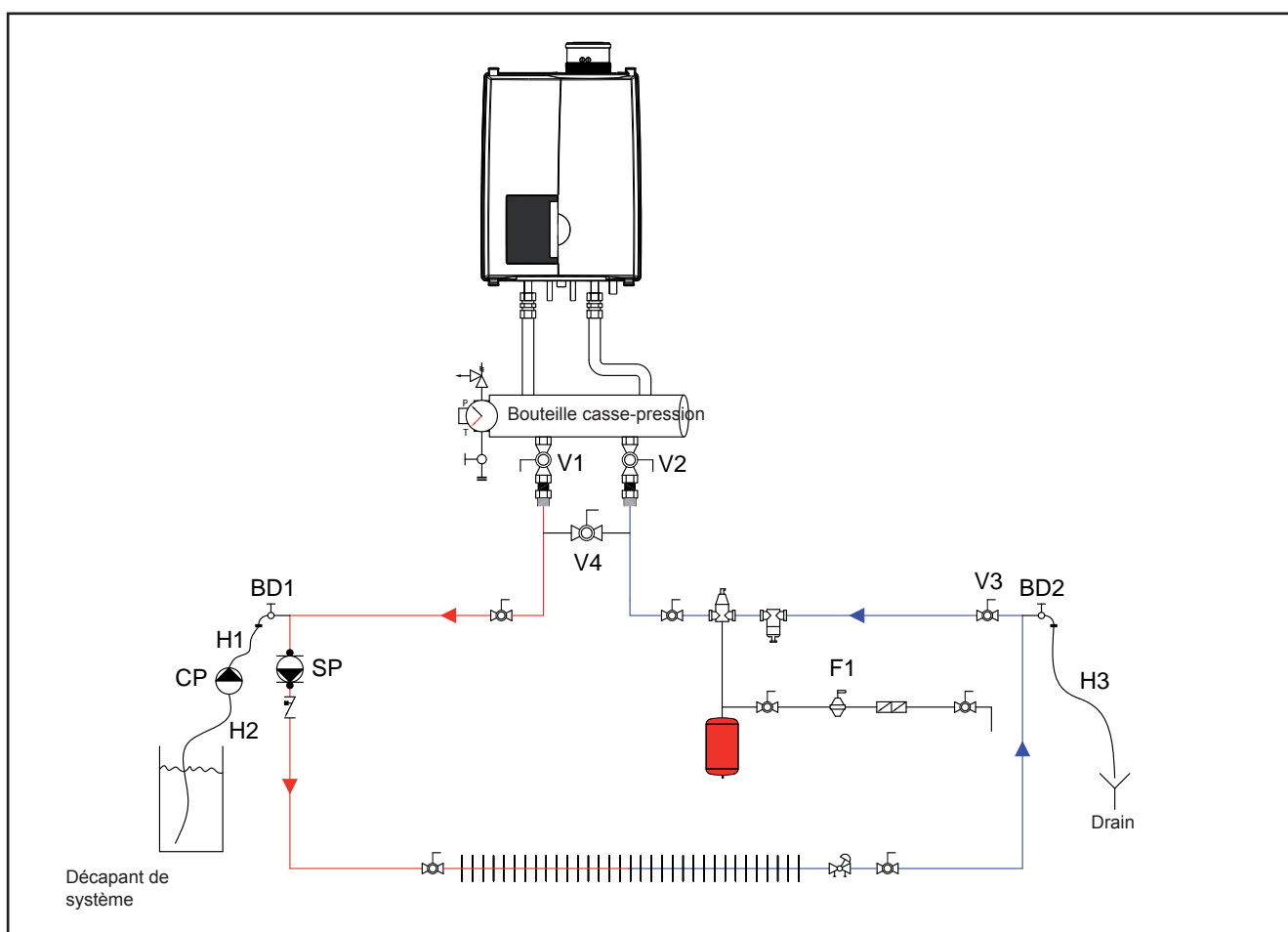


Rinçage du circuit de la chaudière (non de l'échangeur de chaleur de la chaudière)

Lors du remplacement d'une chaudière existante, l'installation de chauffage doit être rincée avec l'ancienne chaudière en place avant que la nouvelle chaudière soit installée sur le système. Si la vieille chaudière a déjà été enlevée, une canalisation de dérivation doit être alimentée lorsque la chaudière est installée afin de faciliter le rinçage de l'installation.

La chaudière doit être isolée du circuit par une vanne pendant le rinçage de l'installation. A cause de sa nature caustique, ne jamais laisser entrer un nettoyant pour circuits dans l'échangeur de chaleur de la chaudière, car cela pourrait l'endommager.

1. Fermer les vannes d'isolement sur les raccords départ et retour du kit hydraulique (V1 et V2).
2. Ouvrir la vanne de by-pass (V4)
3. Raccorder le tuyau de sortie de la pompe (H1) à la station de purge côté alimentation (BD1).
4. Raccorder le tuyau de vidange (H3) à la station de purge côté retour (BD2).
5. Verser le nettoyant pour circuit dans un seau et suivre les instructions correspondantes concernant le temps de circulation et le volume à ajouter à l'installation.
6. Mettre en marche la pompe de remplissage (CP) et remplir le circuit avec le volume requis de nettoyant pour circuit.
7. Fermer la station de purge côté alimentation (BD1).
8. Allumer la (les) pompe(s) du circuit (SP) et faire circuler le nettoyant dans le circuit pendant la durée préconisée par le fabricant du nettoyant.
9. Une fois la durée préconisée par le fabricant du nettoyant pour circuit atteinte, placer le tuyau de vidange (H3) dans une évacuation.
10. Arrêter la (les) pompe(s) du circuit (SP).



Rinçage de l'installation de chauffage

fig. 7

11. Fermer la vanne principale sur le retour du circuit (V3) et ouvrir la station de purge côté retour (BD2).
12. Ouvrir l'alimentation automatique sur le circuit (F1) et laisser l'eau rincer l'installation pendant un temps qui est le plus important de : 10 minutes ou le temps de rinçage requis par le fabricant du nettoyant pour circuit.
13. Si l'installation est un système à zones, s'assurer de purger individuellement chaque zone.
14. Fermer l'alimentation automatique du circuit (F1).
15. Fermer la station de purge côté retour (BD2) et débrancher le tuyau (H3).
16. Ouvrir la vanne principale sur le retour du circuit (V3).
17. Fermer la vanne de by-pass en-dessous du kit hydraulique (V4).
18. Ouvrir les vannes d'isolement sur les raccordements départ et retour du kit hydraulique (V1 et V2).
19. Nettoyer le piège à saletés.
20. Tester le pH de l'eau à utiliser pour remplir le circuit.
21. Tester la dureté de l'eau à utiliser pour remplir le circuit.
22. Utiliser le bon traitement d'eau pour s'assurer que le pH et la dureté de l'eau sont conformes aux directives de qualité d'eau pour les chaudières Rinnai.
23. Maintenant la chaudière et le circuit peuvent être maintenant remplis.

Ci-après une liste de nettoyants, d'inhibiteurs et d'antigels agréés pour circuits.

Antigels agréés (concentration max. 50%):

- | | |
|--|-------------------|
| • Rhomar RhoGard Mutli-Metal (AL safe) | • Sentinel X500 |
| • Noble Noburst AL | • Fernox Alphi 11 |

Nettoyants pour circuit agréés :

- | | |
|---|---------------------|
| • Noble Noburst Hydronic System Cleaner | • Fernox F3 Cleaner |
| • Rhomar Hydro-Solv 9100 | • Sentinel X400 |



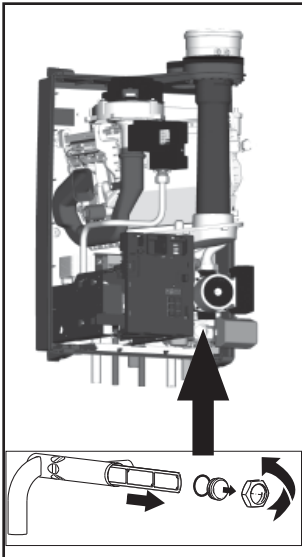
REMARQUE

Les nettoyants pour circuit de NoBurst, Rhomar et Fernox NE peuvent PAS être utilisés dans la chaudière. La chaudière doit être isolée par des vannes (fermées) du reste du circuit ou débranchée, tant que du nettoyant se trouve dans le circuit. Le circuit doit être vidangé puis soigneusement rincé à l'eau propre pour évacuer tout le nettoyant du circuit.

Inhibiteurs agréés :

- | | |
|------------------------------|-----------------|
| • Rhomar Pro-tek 922 | • Sentinel X100 |
| • Noble Noburst AL inhibitor | |

- Raccordez le vase d'expansion au circuit. Voir le chapitre 6.2.
- Raccordez les tuyaux de façon à ce qu'ils ne subissent aucune tension.



Filtre à eau figure 8

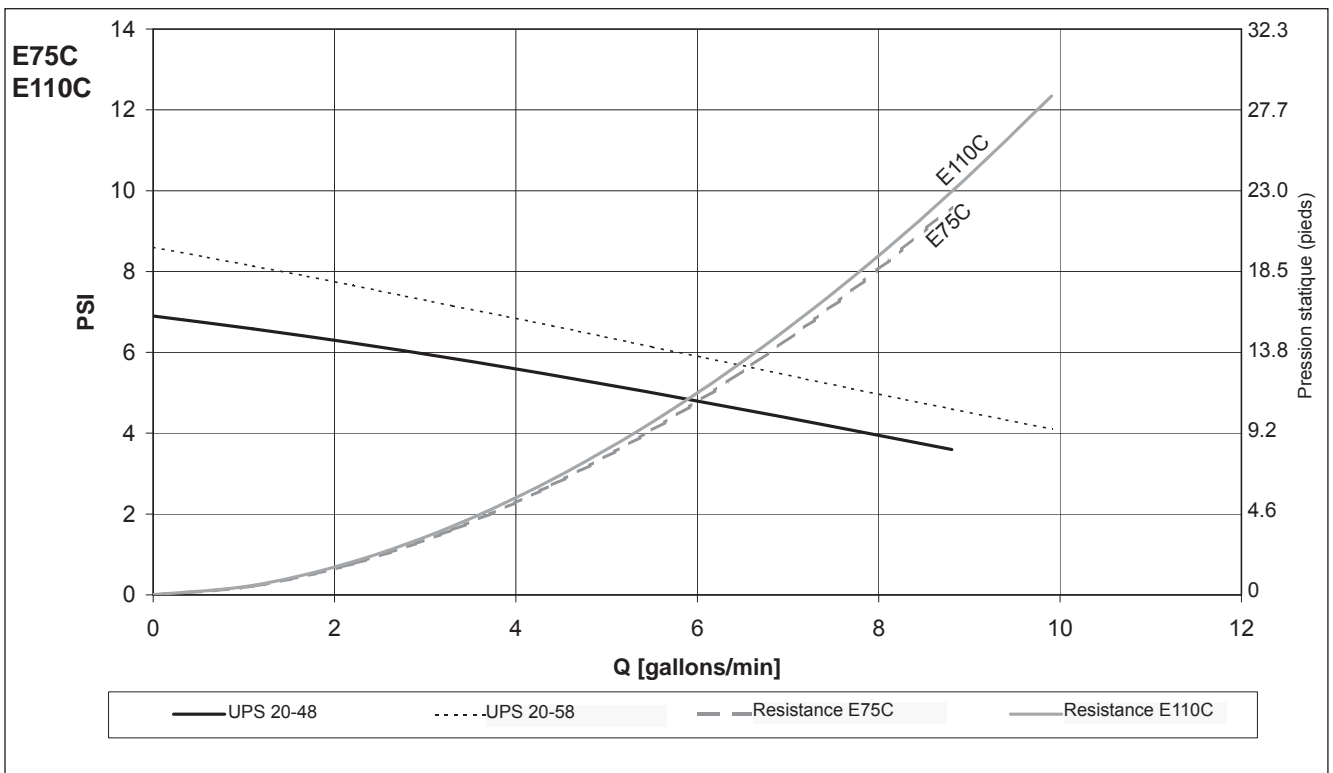
La chaudière dispose d'un système de commande à réglage automatique et autoprotection pour la charge et la capacité de la pompe. Grâce à cela, la différence de température entre l'eau départ et retour est contrôlée.

Si la résistance de l'installation dépasse la valeur indiquée, la pompe va tourner à pleine capacité et la charge sera ajustée jusqu'à ce qu'une différence de température acceptable entre l'eau d'alimentation et de retour soit atteinte. Si après cela, la différence de température n'est toujours pas acceptable, la chaudière va alors s'arrêter et attendre qu'une température acceptable soit atteinte. Si une température inacceptable est détectée, la commande va tenter à plusieurs reprises d'atteindre le débit d'eau sur la chaudière. Dans le cas contraire, la chaudière va s'arrêter.

En standard, la chaudière est équipée d'un filtre à eau dans la conduite retour de la chaudière (fig. 8), pour empêcher les débris de l'eau du chauffage central d'affecter la chaudière.

i REMARQUE

La chaudière est conçue pour être utilisée uniquement sur des circuits de chauffage pressurisés.



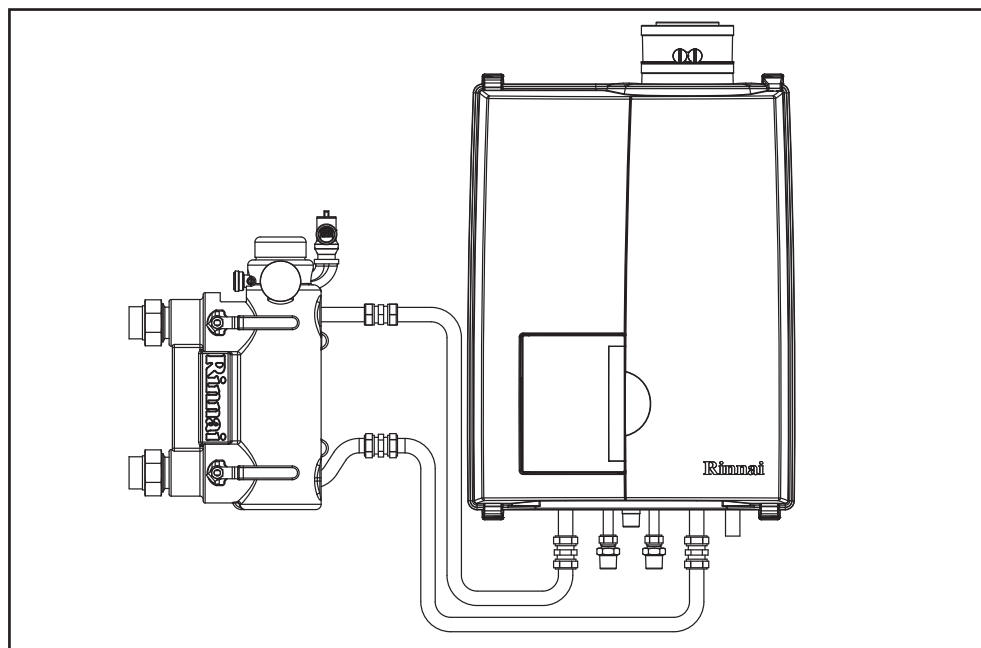
courbes pompes

graph 1

6.1.2 Kit pour bouteille casse-pression montage latéral

Un kit pour bouteille casse-pression pour montage latéral est disponible en accessoire. Ce kit déplace la bouteille casse-pression de directement en-dessous de la chaudière vers le côté gauche (uniquement) de la chaudière. Le kit comprend toutes les pièces nécessaires pour réinstaller la bouteille casse-pression, y compris tous les supports de montage et le matériel. Ce kit fournit une alternative à des installations avec des limites de hauteur et permet une installation de tuyauterie alternative.

Kit 1 pour modèles de chaudières E75C et E110C avec référence Rinnai: 804000071.



Kit de montage latéral

figure 9

6.1.2 Soupape de sûreté



REMARQUE

Une soupape de décharge ASME de 30 psi est installée sur le kit hydraulique livré avec la chaudière.

6.1.3 Pressostat en cas de manque d'eau



REMARQUE

La chaudière Rinnai E est équipée d'un pressostat en cas de manque d'eau de type Low Water Cut Off (LWCO - coupure en cas de basse pression) installé en usine. Vérifiez vos prescription locales pour voir si un pressostat en cas de manque d'eau (LWCO) est nécessaire et si ce dispositif est conforme au code local. Voir les renseignements supplémentaires dans le manuel de fonctionnement des chaudières Rinnai. Le pressostat en cas de manque d'eau n'est pas réparable.

6.2 Vase d'expansion de chaudière

Les chaudières de série E sont équipées d'un vase d'expansion intérieur. Le vase de la E75CN et de la E75CP est positionné à l'intérieur du corps de la chaudière. Ce vase d'expansion a une pression de précharge de 14,5 PSI / 1 Bar et une contenance de 2,1 gallon / 8 litres.

Le vase de la E110CN et de la E110CP est placé directement sous la chaudière et avec le caisson, forme une entité unique avec la chaudière.

Le caisson peut être retiré en le tirant vers l'avant. Le vase d'expansion a une pression de précharge de 14,5 PSI / 1 Bar et une contenance de 3,1 gallon / 12 litres.

Si un vase d'expansion d'une plus grande contenance est nécessaire à l'installation, une cuve d'expansion standard doit être rajoutée.

Dans ce cas, choisissez un volume du vase d'expansion dont les caractéristiques correspondent à la capacité en eau de l'installation. La pression de précharge dépend de la hauteur de l'installation au-dessus du vase d'expansion. Placez le vase d'expansion dans le tuyau de retour aussi près de la chaudière que possible. Le vase d'expansion supplémentaire est à acheter localement. Veuillez consulter le fabricant du vase d'expansion pour d'autres informations.

 REMARQUE

Remplissez le vase d'expansion jusqu'à un minimum de 14,5 PSI / 1 bar.

 REMARQUE

La chaudière ne peut pas être utilisée avec un vase d'expansion de type ouvert (atmosphérique).

6.3 Système de chauffage par le sol (tuyaux en plastique)

Si vous utilisez des tuyaux perméables à l'oxygène, par exemple, pour des systèmes de chauffage par le sol, vous devez séparer le circuit au moyen d'échangeurs de chaleur à plaques.

 REMARQUE

Aucun recours ne pourra être effectué aux termes de la garantie limitée en cas de manquement aux règles se rapportant aux tuyaux de chauffage par le sol en plastique.

6.4 Raccordement au gaz

 DANGER

Ne travaillez sur les conduites gaz que si vous êtes agréé pour cela. Si ces instructions ne sont pas suivies à la lettre, un incendie ou une explosion peuvent se produire et causer des dégâts matériels, des blessures corporelles ou la mort.

 AVERTISSEMENT

Les chaudières murales Rinnai sont fabriquées pour fonctionner au gaz naturel ou au gaz propane. Le type de gaz qui convient à la chaudière est indiqué sur l'emballage et sur la chaudière par une étiquette bleue avec Gaz naturel ou une étiquette verte avec Gaz Propane sur la plaque signalétique de la chaudière. Vérifiez d'abord sur la plaque signalétique de la chaudière, le type de gaz qui convient.

 DANGER

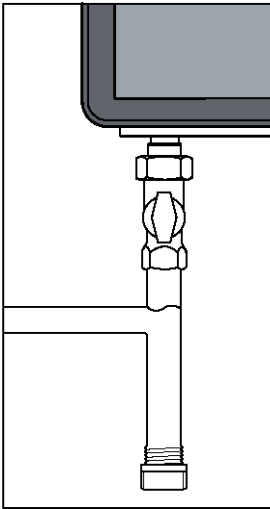
N'utilisez pas la chaudière avec un autre type de gaz que celui indiqué sur la plaque signalétique de la chaudière. Ceci peut provoquer un mauvais fonctionnement et endommager la chaudière.

Gaz naturel : voir le chapitre 6.4.1

Gaz propane : voir le chapitre 6.4.2

6.4.1. Raccordement au gaz naturel

REMARQUE



Collecteur de sédiments
figure 10

Le raccordement au gaz naturel doit être conforme à la réglementation locale ou, si elle n'existe pas, au Code National du Gaz Combustible ANSI Z 223.1. Pour le Canada, le raccordement au gaz doit être conforme à la réglementation locale ou, si elle n'existe pas, au Code d'installation du gaz naturel et du gaz propane, CAN/CSA B149.1.

Dimensions des conduites pour le gaz naturel

Contactez le fournisseur de gaz pour dimensionner la conduite d'alimentation et le compteur gaz.

Conduites gaz

Un collecteur de sédiments doit être installé en amont des commandes gaz.

La conduite gaz de la chaudière est équipée d'un filetage extérieur M-NPT en 3/4", sur lequel le bout de la pièce de raccordement du robinet gaz d'isolement peut être raccordée. Utilisez un joint approprié.

Le raccordement à la chaudière doit comprendre une méthode de débranchement convenable et une vanne de réglage gaz adjacente à la chaudière doit être installée à des fins d'isolement. La pression nominale de fonctionnement du gaz d'entrée mesurée sur la chaudière doit être de 7" CE (18 mbar) pour le gaz naturel (Gaz A). La pression maximale sans débit (blocage) ou avec la chaudière en marche est de 10,5" CE. La pression minimale avec le gaz circulant (vérifiez pendant le démarrage de la chaudière) est de 4,0" CE.

La conduite de gaz doit être raccordée au robinet de gaz, sans aucune contrainte.

REMARQUE

Assurez-vous que le circuit des conduites gaz ne contienne pas de saletés, particulièrement avec des conduites neuves.

DANGER

Vérifiez toujours la sécurité du circuit des conduites gaz au moyen d'un essai à la bulle à l'aide d'un pulvérisateur détecteur de fuites.

REMARQUE

La chaudière et sa vanne d'isolement individuelle doivent être déconnectées du circuit d'alimentation gaz pendant tous les tests de pression de ce système à des pressions d'essai excédant 1/2 PSI (3,5 kPa).

REMARQUE

La chaudière doit être isolée du circuit des conduites gaz en fermant sa vanne d'isolement individuelle manuelle pendant tous les tests de pression du système de conduites d'alimentation gaz, à des pressions d'essai égales ou inférieures à 1/2 PSI (3,5 kPa).

6.4.2 Raccordement au gaz propane

REMARQUE

Le raccordement à l'alimentation gaz doit être conforme à la réglementation locale ou, si elle n'existe pas, au Code National du Gaz Combustible ANSI Z 223.1. Pour le Canada, le raccordement au gaz doit être conforme à la réglementation locale ou, si elle n'existe pas, au Code d'installation du gaz naturel et du gaz propane, CAN/CSA B149.1

Dimensions des conduites pour le gaz propane

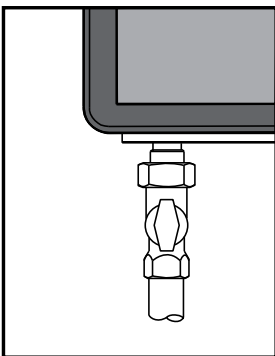
- Contactez le fournisseur de gaz pour dimensionner les conduites, les réservoirs et le régulateur de pression gaz à 100% de blocage.

Conditions de pression d'alimentation en propane

- Ajustez le régulateur d'alimentation en gaz propane fourni par le fournisseur de gaz pour une pression maximale de 14 pouces CE.
- Pression exigée à l'orifice d'entrée de la vanne gaz :
 - Maximum de 14" CE. Sans débit (blocage) ou avec la chaudière en marche.
 - Minimum de 8" CE avec débit de gaz (vérifiez pendant le démarrage de la chaudière).

Assurez-vous que le régulateur de haute pression gaz est installé à au moins 6 à 10 pieds (1,83 à 3,05 m) en amont de la chaudière.

DANGER



Robinet d'arrêt sous la chaudière figure 10a

Conduites gaz

- Utilisez une vanne d'isolement avec le gaz propane.
- Un collecteur de sédiments doit être installé en amont des commandes gaz.

Le tuyau de la chaudière est prévu d'un filetage extérieur M-NPT en 3/4", sur lequel la pièce de raccordement du robinet d'arrêt du gaz peut être vissée. Utilisez un joint approprié.

Le raccordement à la chaudière doit inclure une méthode de débranchement convenable.

Une vanne de réglage gaz doit être installée adjacente à la chaudière, à des fins d'isolation. La pression nominale de fonctionnement du gaz d'entrée mesurée à la chaudière doit être de 12 pouces CE (30 mbar) pour le gaz propane (Gaz E).

La conduite de gaz doit être raccordée à la vanne gaz, sans aucune contrainte.

Assurez-vous que le circuit des conduites gaz ne contienne pas de saletés, particulièrement avec des conduites neuves.

REMARQUE

Vérifiez toujours la sécurité du circuit des conduites de gaz au moyen d'un essai à la bulle à l'aide d'un pulvérisateur détecteur de fuites.

DANGER

La chaudière et sa vanne d'arrêt individuelle doivent être déconnectées du circuit de conduites gaz pendant tous les tests de pression de ce système à des pressions d'essai excédant 1/2 PSI (3,5 kPa).

REMARQUE

La chaudière doit être isolée du circuit des conduites gaz en fermant sa vanne d'isolement individuelle manuelle pendant tous les tests de pression du système de conduites d'alimentation gaz, à des pressions d'essai égales ou inférieures à 1/2 PSI (3,5 kPa).

REMARQUE

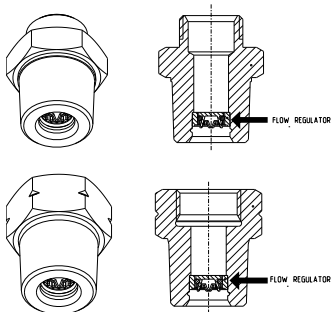
6.5 Alimentation en eau chaude

Le raccordement de l'installation d'eau potable doit être effectué conformément à la réglementation nationale secondaire sur l'eau potable.



DANGER

N'utilisez PAS de produits chimiques toxiques, comme ceux utilisés pour le traitement des chaudières dans les systèmes de chauffage d'eau potable utilisés pour le chauffage de locaux.



Les conduites d'eau sanitaire peuvent être raccordées à l'installation au moyen de raccords d'adaptation. L'entrée d'eau froide sur les chaudières mixtes doit être équipée des composants suivants (compris dans le sens de la circulation de l'eau): Vanne de régulation de débit (fournie), groupe de sécurité, vase d'expansion 87 PSI / 6 bar (eau potable, bleu).

Le raccord d'adaptateur NPT en 3/4" avec vanne de réduction du débit doit être monté dans le raccord d'eau froide. Une vanne de régulation de débit est fournie avec la chaudière. La vanne de régulation de débit garantit qu'une certaine quantité d'eau est fournie et qui a une température de sortie de 120° F/49°C (en supposant une température de l'eau froide de 45° F/7°C). La quantité d'eau est virtuellement inaltérée par la pression d'eau. Le raccord d'adaptateur NPT en 3/4" avec la vanne de réduction du débit doivent être montés dans le raccordement d'eau froide (voir Dimensions 5.3, tuyau d'eau froide -k).

Identification de couleur des
vannes de réductions:
E75C: Blanc
E110C: Vert



REMARQUE

Lorsque la pression de l'eau est inférieure à 22 PSI / 1,5 bar, il est conseillé de retirer le mécanisme intérieur de la vanne de réduction du débit. Contactez Rinnai pour les instructions de démontage.

6.5.1 Qualité de l'eau sanitaire

Les étapes appropriées doivent être suivies pour s'assurer que l'échangeur de chaleur à plaques brasées ne soit pas bouché par du tartre dû à de l'eau dure ou à du sédiment. Si l'échangeur de chaleur à plaques brasées se bouche soit par du tartre dû à de l'eau dure ou du sédiment, ça n'est pas de la responsabilité de Rinnai.

1. Dureté de l'eau d'ECS

Lorsque l'eau utilisée est supérieure à 6 ou 7 grains de dureté pour l'eau sanitaire, un adoucisseur d'eau doit être installé au raccordement ECS à l'entrée.

2. Sédiments dans l'ECS

Si des sédiments se trouvent dans votre alimentation en eau sanitaire, un filtre à sédiments ou un autre dispositif adapté doit être utilisé pour les retirer avant que l'eau n'entre dans l'échangeur de chaleur à plaques brasées.

3. Chimie de l'eau pour l'ECS

L'eau utilisée à des fins doivent avoir un pH de l'eau entre 6.0 et 8.0, contiennent moins de 1.7 gpg (20 mg / l) de sodium, et une concentration de chlore est inférieure à 5.8 gpg (100 mg / L).



REMARQUE

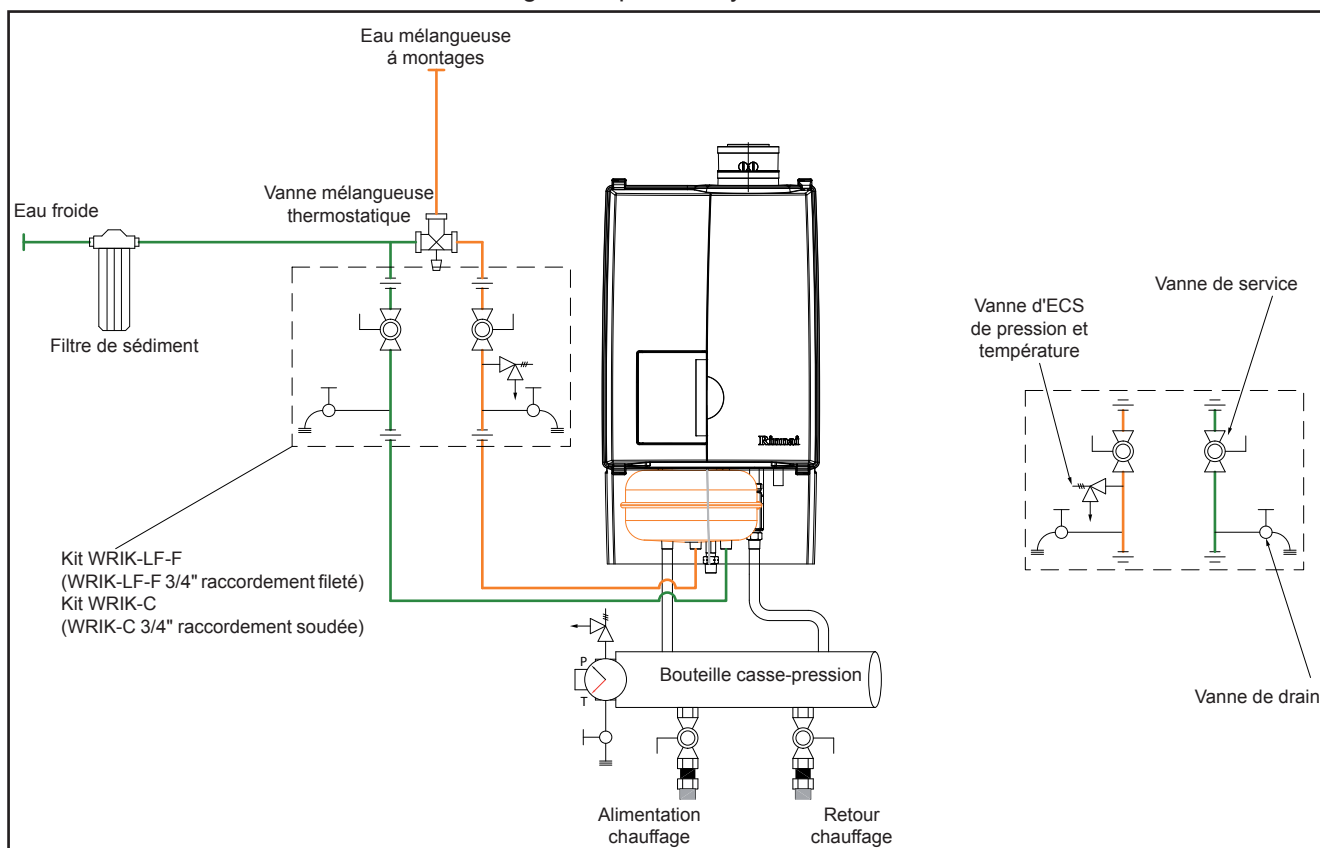
Si des problèmes surviennent lors de l'utilisation d'eau chaude sanitaire en dehors des exigences énoncées ci-dessus, aucun recours ne pourra être faite aux termes de la garantie limitée.

6.5.2 Accessoires de traitement d'eau sanitaire

Rinnai offre un dispositif de traitement d'eau sanitaire qui peut aider à réduire les dépôts de tartre. Ce dispositif peut être installé sur la ligne d'alimentation d'eau froide pour chaque chaudière combi. Plus d'informations sur demande à Rinnai.

6.5.3 Installation d'une vanne thermostatique de mélange

Une vanne thermostatique de mélange doit être installée sur toutes les chaudières mixtes E, du côté eau chaude sanitaire, pour empêcher la formation de tartre. Cette vanne régule la température de l'eau qui sort de l'échangeur de chaleur à plaques brasées. Voir figure 11 pour la tuyauterie conseillée.



Tuyauterie ECS avec vanne thermostatique mélange

fig. 11

⚠ DANGER

CHAUD

BRULÔRE

L'eau chaude peut être dangereuse, particulièrement pour les bébés et les enfants, les personnes âgées ou infirmes. Il existe un risque de brûlure par l'eau chaude si le thermostat est réglé trop chaud.

Les températures d'eau supérieures à 125° F (51° C) peuvent provoquer des blessures graves ou mortelles.

L'eau chaude peut provoquer des blessures au premier degré, même si l'exposition n'est que de :

- 3 secondes à 140° F (60° C)
- 20 secondes à 130° F (54° C)
- 88 minutes à 120° F (48° C)

Testez la température de l'eau avant d'installer un enfant dans le bain ou sous la douche.

Ne laissez pas un enfant ou un bébé dans le bain sans surveillance.

6.5.4 Vase d'expansion ECS

Un vase expansion ECS pourrait être requis par le code local. Vérifier le code local pour déterminer si elle est nécessaire.

Si un chauffe-eau est installé dans un système d'alimentation d'eau fermé, tels que l'un ayant un disconnecteur dans la ligne d'alimentation en eau froide, un moyen est prévu pour contrôler la dilatation thermique. Contactez le fournisseur d'eau ou de l'inspecteur local de plomberie sur la façon de contrôler la dilatation thermique.

6.5.5 Installation d'un kit de vanne

Un dispositif permettant d'isoler l'échangeur de chaleur à plaques brasées pour le nettoyage doit être fourni lors de l'installation. Voir en figure 11 la bonne disposition de la tuyauterie. Un kit de vanne Rinnai peut être utilisé sur les branchements d'eau sanitaire pour toutes les chaudières combi, pour permettre le nettoyage de l'échangeur de chaleur à plaques brasées et l'installation de la soupape de sûreté d'eau chaude sanitaire.

- Rinnai recommande d'utiliser le kit WRIK-LF-F (raccord fileté NPT 3/4") ou WRIK-C (WRIK-C (raccordement 3/4" soudé à l'étain) pour raccorder les conduites d'eau sanitaire à la chaudière.
- L'utilisation de ce kit facilite le rinçage de l'échangeur de chaleur à plaques brasées planes dans les zones où la qualité de l'eau pose des problèmes, et améliore également le fonctionnement de l'ensemble du produit.

6.5.6 Soupape de sûreté pour chaudières Combi

- Rinnai exige une soupape de surpression agréée pour tous les systèmes de chauffage d'eau.
- La soupape de sûreté doit être conforme à la norme pour les Soupapes de Sûreté et Dispositifs Automatiques de Fermeture de Gaz pour Systèmes d'Alimentation en eau chaude ANSI Z21.22 et/ou à la norme Température. Pression. Vannes de Sécurité Température et Pression et Soupapes de Dépression, CAN1-4.4.
- La soupape de sûreté doit être réglée à 150 psi et au moins au BTU/heure maximum de l'appareil.
- La décharge de la soupape de sûreté doit être raccordée au sol ou à un système d'évacuation, pour éviter tout danger d'exposition ou de brûlure aux personnes, aux plantes ou aux animaux. Suivez les prescriptions locales. L'eau dégagée par la soupape de sûreté peut provoquer instantanément de graves brûlures, vous ébouillanter, ou entraîner la mort.
- La soupape de sûreté doit être actionnée à la main une fois par an pour vérifier si elle fonctionne correctement.
- La soupape de sûreté doit être ajoutée à la conduite de sortie de l'eau chaude, conformément aux instructions du fabricant. NE PAS placer d'autre type de vanne ou de dispositif de fermeture entre la soupape de sûreté et le chauffe-eau.
- Ne pas boucher la soupape de sûreté et ne pas installer de réduction sur la conduite de décharge. La conduite de décharge doit permettre la vidange complète de la vanne et de la conduite.
- Si une vanne décharge périodiquement, ceci peut être dû à une dilatation thermique dans un circuit fermé d'alimentation en eau. Consulter le fournisseur d'eau ou l'inspecteur local de plomberie sur la façon de corriger ce problème. Ne pas boucher la soupape de sûreté.
- Rinnai n'exige pas de soupape de sûreté combinée de température et de pression pour cet appareil. Toutefois, les prescriptions locales peuvent exiger une soupape de sûreté combinée de température et de pression.
- Si un chauffe-eau est installé dans un système d'alimentation d'eau fermé, tels que l'un ayant un disconnecteur dans la ligne d'alimentation en eau froide, un moyen est prévu pour contrôler la dilatation thermique. Contactez le fournisseur d'eau ou de l'inspecteur local de plomberie sur la façon de contrôler la dilatation thermique.

6.5.7 Programmation du préchauffage de l'Eau Chaude Sanitaire (ECS)

Lorsque "préchauffer l'ECS" est sélectionné, l'échangeur de chaleur à plaques brasées est gardé au chaud, ce qui réduit le temps d'attente pour l'eau chaude sanitaire d'environ 1 minute. Lorsque ce paramètre est désactivé, le temps d'attente pour ECS est augmenté d'environ 1 minute.



REMARQUE

Si la fonction "préchauffer l'ECS" est sélectionné, tenez compte de la chose suivante:

Cette chaudière est équipée d'un dispositif qui met automatiquement l'ECS en priorité ; donc un débit continu, même très faible, dans le système d'ECS (par exemple en raison d'une ou plusieurs fuites de robinet), peut conduire la chaudière à rester en mode ECS - ce qui empêchera le fonctionnement du système de chauffage central de manière adéquate. En cas d'une ou plusieurs fuites dans le système ECS, la fonctionnalité "Préchauffage de l'ECS" doit être désactivée jusqu'à ce que ce problème puisse être corrigé.

Cette sélection peut être faite avec le premier chiffre du paramètre 36.

Préchauffer l'ECS ON = 1x (réglage d'usine)

Préchauffer l'ECS OFF = 2x

Voir le chapitre 10 pour savoir comment vous pouvez changer un paramètre.

Le fonction de préchauffage de l'ECS est conçu pour augmenter le confort du propriétaire de la maison et de réduire la consommation d'eau en réduisant le temps d'attente pour l'ECS à l'appareil. Ce paramètre de confort va créer une légère augmentation de la consommation de gaz de la chaudière, mais cela sera compensé par la réduction du gaspillage de l'eau à le robinet.

6.6 Evacuation condensats

Cette chaudière produit de l'eau de condensation. Le condensat doivent être évacués, sinon la chaudière ne fonctionne pas et peut provoquer des dégâts produit et immobiliers. Le tuyau d'évacuation des condensats doit être raccordé à une évacuation dans le bâtiment, au moyen d'une connexion ouverte. Grâce à cela, la possibilité pour les gaz d'évacuation de parvenir à la chaudière est éliminée. Le raccordement de l'évacuation doit avoir un diamètre minimum de 1,3" / 32 mm.

Installez le tuyau d'évacuation des condensats conformément à la prescription locale.

Si la sortie des condensats de la chaudière est plus basse que le réseau d'égouts public, une pompe à condensats doit être utilisée.

Le pH des condensats produit par la chaudière est entre 3 et 4.

Installez un élément de neutralisation si la prescription locale l'exige Il est recommandé, mais non exigé d'installer un neutraliseur de condensats. Rianni propose un neutraliseur de condensats conçu pour fonctionner avec tous les modèles de chaudières. Le kit de neutralisation des condensats est livré avec tous les accessoires nécessaires et le matériel de montage. Le tuyau en PVC doit être fourni par l'entrepreneur de l'installation. Référence Rinnai: 804000074.



REMARQUE

Ne vidangez pas l'eau de condensation vers le caniveau extérieur d'eaux pluviales en raison du danger de gel et de blocage de l'évacuation.



REMARQUE

Avant de mettre la chaudière en marche, remplissez l'évacuation condensats avec 1,27 tasses / 300 ml d'eau. Si la chaudière doit être installée dans une installation à haute température comme une plinthe avec une température départ de 160°F ou plus, remplissez l'évacuations condensats d'huile minérale à la place de l'eau.



REMARQUE

Utilisez des matériaux approuvés par l'autorité compétente. En l'absence de cette autorité, le tuyau en PVC et en CPVC doivent être conformes à l'ASTM D1785, F441 ou D2665. La colle et le primer doivent être conformes à l'ASTM D2564 ou F493.

Pour le Canada, utilisez du tuyau en PVC ou en CPVC, des raccords et de la colle certifiés CSA ou ULC.



REMARQUE

Un nettoyage du circuit d'évacuation des condensats doit être effectué périodiquement. Pour plus d'informations et schéma des conduites de condensats, voir dans le manuel de fonctionnement des chaudières Rinnai.

6.7 Système d'évacuation fumées et d'aspiration air

Des dispositions pour l'aspiration air de combustion et l'évacuation des fumées doivent être prises conformément à la section Air de Combustion et Evacuation du Code National du Gaz combustible ANSI Z223.1, ou sections 7.2, 7.3 de 7.4 des codes d'installation CAN/CGA B149.1, ou aux dispositions applicables des prescriptions locales de construction.

- N'entrez pas de produits chimiques près de la chaudière ou dans des pièces où l'air alimente la chaudière. Voir la liste au chapitre 5.1.
- Ne laissez pas entrer les gaz de combustion d'autres appareils dans la chaudière.
- Maintenez l'armoire à l'abri de l'humidité.



REMARQUE

Au cas où le système se serait déclenché pour couper le gaz du brûleur principal, n'essayez pas de mettre la chaudière en marche. Contactez un professionnel agréé.

6.7.1 Directives aspiration / évacuation

Référez-vous aux instructions particulières sur votre produit d'évacuation pour connaître les conditions supplémentaires d'installation.

- Pour les chaudières à évacuation directe, un remontage et des joints corrects du système d'évacuation fumées–d'aspiration air.
- Vous devez utiliser des composants pour l'évacuation qui sont certifiés et listés, avec ce modèle.
- N'assemblez pas des composants d'évacuation de différents fabricants.
- L'évacuation fumées doit être aussi directe que possible, avec un nombre minimum de raccords de conduits.
- Évitez les inclinaisons ou les affaissements dans les trajets d'évacuation horizontaux en installant des supports selon les instructions du fabricant du système d'évacuation.
- Installez un support sur les trajets horizontaux d'évacuation tous les quatre pieds (1,20 m) et sur les trajets d'évacuation verticaux tous les six pieds (1,80 m), ou conformément aux prescriptions locales.
- Le diamètre de l'évacuation ne doit pas être réduit.
- La chaudière ne convient pas pour une installation d'évacuation commune, voir également le chapitre 20.
- Ne raccordez pas le système d'évacuation à une évacuation ou une cheminée existante.
- N'associez jamais l'évacuation à n'importe quel autre conduit de chauffe-eau ou d'appareil.
- Les raccordements d'évacuation doivent être solidement serrés, de façon à ce que les joints soient complètement étanches à l'air.
- Consultez les instructions du fabricant du système d'évacuation pour les instructions d'assemblage des composants.
- Si le système d'évacuation doit être installé dans une enceinte, la conception de l'enceinte doit permettre l'inspection du système d'évacuation. La conception de cette enceinte doit être considérée comme acceptable par l'installateur ou l'inspecteur local.



REMARQUE

S'il s'avère nécessaire d'accéder à un système d'évacuation dans une enceinte pour l'entretien ou des réparations, Rinnai n'est pas responsable des coûts ou des difficultés d'accès au système d'évacuation. La garantie de couvre pas l'obtention de l'accès à un système d'évacuation dans une enceinte.

Les instructions d'installation du système d'évacuation doivent préciser que les sections horizontales doivent être supportées pour prévenir le fléchissement. Les méthodes et les intervalles de support doivent être spécifiés. Les instructions doivent aussi indiquer que le système d'évacuation:

- pour les chaudières de catégories I, II et IV doit présenter des tronçons horizontaux dont la pente montante est d'au moins 1/4" par pied (21mm/m) entre la chaudière et le terminal de l'évacuation;
- pour les chaudières de catégories III, la pente sera spécifiée dans les instructions du fabricant de la chaudière;
- pour les chaudières de catégories II et IV, doit être installé de façon à empêcher l'accumulation de condensats; et
- pour les chaudières de catégories II et IV, doit être prévu où nécessaire, de dispositifs d'évacuation des condensats.

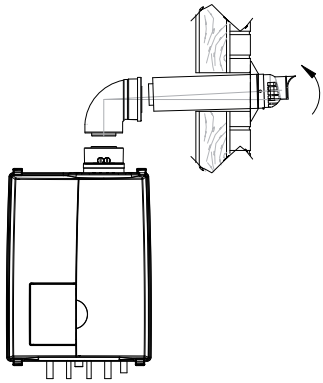
6.7.1 Exemples de systèmes concentriques

Exemples terminaux de mur

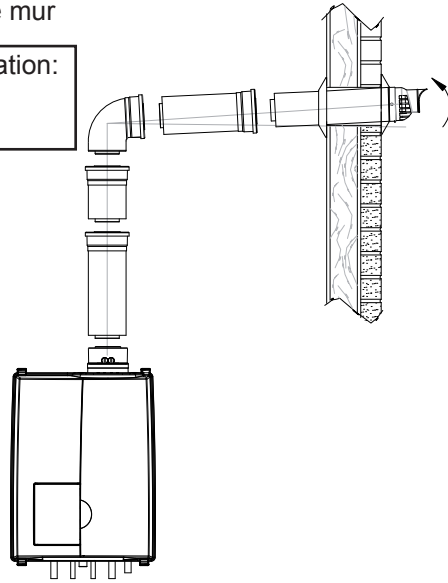
Épaisseur du mur pour d'installation du terminaison d'évacuation:

Minimum: 100mm / 4"

Maximum: 508mm / 20"

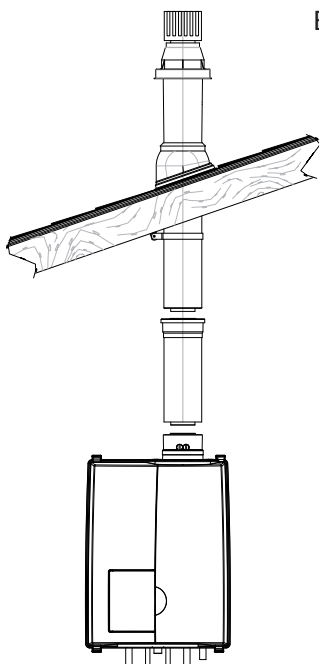


Terminaison courte avec terminal de mur
figure 12A

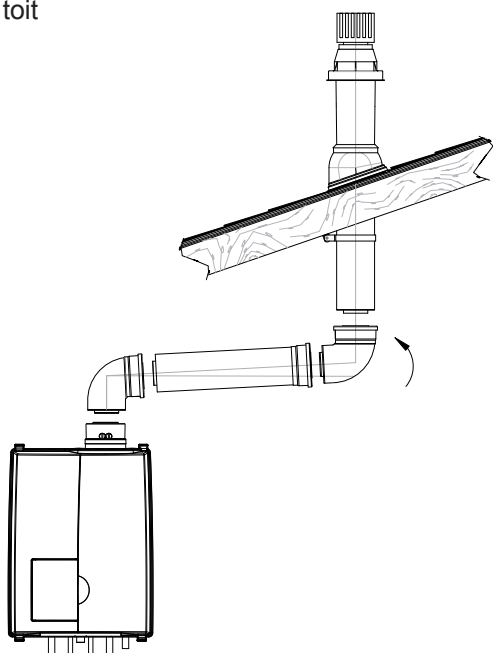


Terminaison avec terminal de mur à un niveau plus haut
figure 12B

Exemples terminaux de toit



Terminaison courte court avec terminal de toit
figure 12C

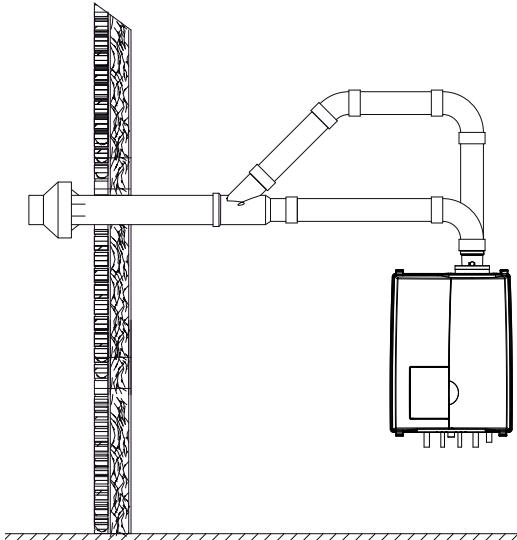


Terminaison avec terminal de mur et coudes
figure 12D

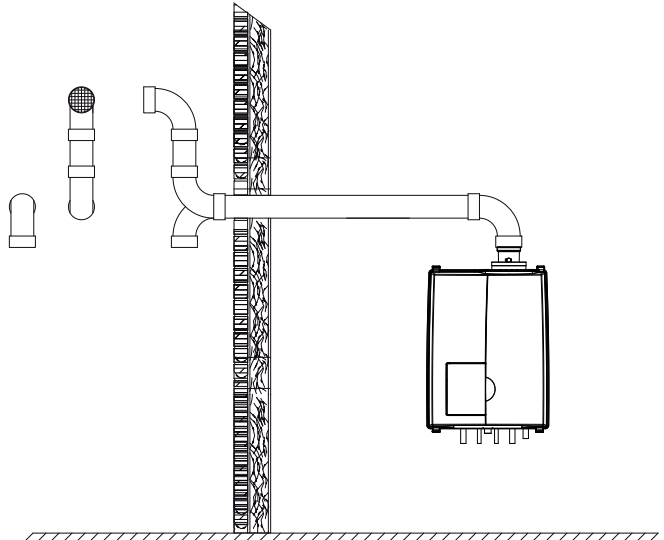
6.7.2b Exemples de systèmes parallèles

Épaisseur du mur pour d'installation du terminaison d'évacuation:
 Minimum: 100mm / 4"
 Maximum: 508mm / 20"

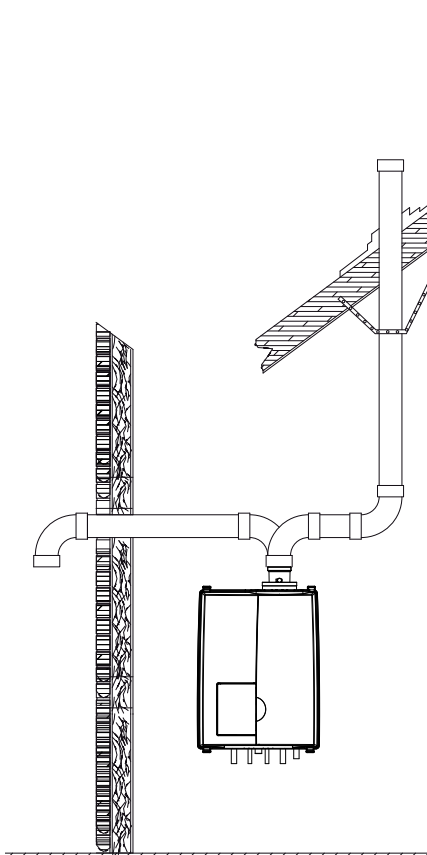
Exemples combustions fermées
 (configuration C)



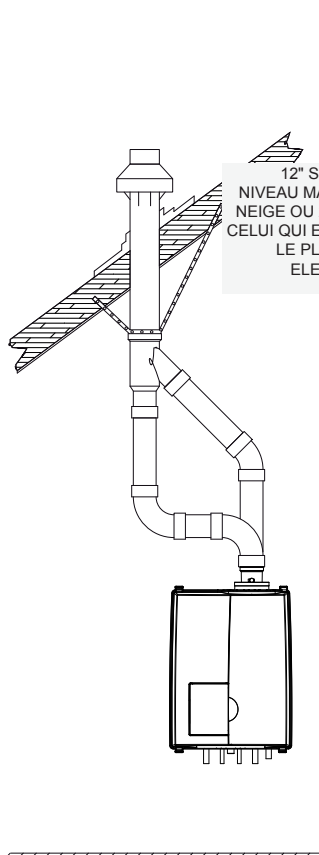
Horizontale avec terminal concentrique figure 13A



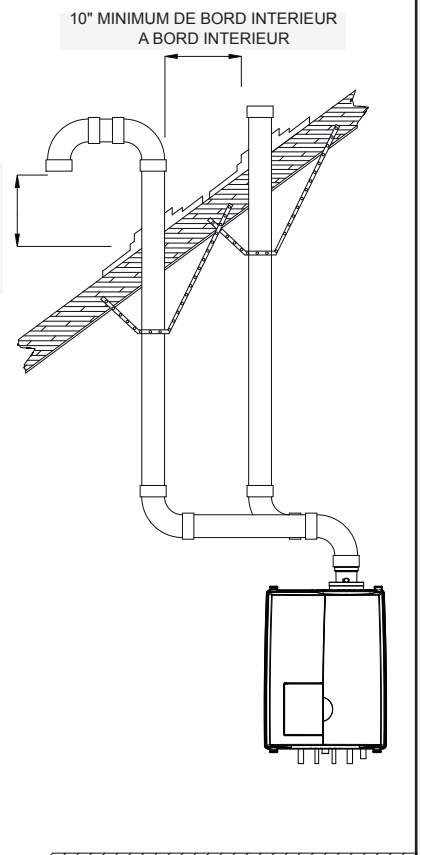
Horizontale avec terminal parallèle figure 13B



Évacuation verticale et aspiration air horizontale figure 13C



Verticale avec terminaison concentrique figure 13D



Verticale avec terminaison parallèle figure 13E

12" SUR NIVEAU MAX. NEIGE OU 24" CELUI QUI EST LE PLUS ELEVE

10" MINIMUM DE BORD INTERIEUR A BORD INTERIEUR

6.7.3 Installation du système d'évacuation

REMARQUE

Consultez les prescriptions locales et de l'état relatives au code spécial de construction et aux exigences concernant les incendies. Respectez les exigences du code national.

REMARQUE

Respectez la longueur maximale indiquée pour les systèmes d'évacuation, qui dépend du rendement de la chaudière. Les longueurs maximales autorisées sont indiquées au tableau 9, chapitre 6.7.6.

Décidez comment installer le système d'évacuation fumées et d'aspiration air. Vous pouvez choisir entre :

- **Système concentrique (voir chapitre 6.7.2a)**

Le raccordement concentrique est fourni au départ en standard. Le diamètre du raccordement concentrique de la chaudière est de 3"/5" (80/125 mm), auquel le système d'évacuation fumées et d'aspiration air peut être raccordé, avec ou sans pièces coudées. La longueur maximale autorisée pour le conduit est affichée au tableau 9, chapitre 6.7.6.

- **Système parallèle (voir chapitre 6.7.2b)**

La chaudière peut être convertie en système parallèle avec les adaptateurs fournis. Il est possible d'utiliser un raccordement de conduit parallèle de 2x 3". Dans ce cas, un nécessaire fourni séparément, avec 2 adaptateurs d'évacuation de 3" (ø 80 mm), un couvercle de 5" (ø 125 mm), un conduit d'évacuation fumées et des joints doivent être montés à la place de l'adaptateur d'évacuation concentrique au-dessus de la chaudière. Voir l'installation sur la figure 14a. La longueur maximale autorisée pour le conduit est indiquée au tableau 9, chapitre 6.7.6.

- **Système d'air ambiant (air de combustion intérieur - configuration C)**

La chaudière peut utiliser l'air de la pièce pour la combustion. Si cette option est choisie, la chaudière doit d'abord être convertie en système parallèle. Un conduit d'évacuation simple peut alors être raccordé. Il est nécessaire d'utiliser un filtre à air ambiant (Nr. art. 808000025) pour la combustion de l'air intérieur. Voir l'installation sur la figure 14b. La longueur maximale autorisée pour le conduit est indiquée au tableau 9, chapitre 6.7.6.

REMARQUE

Dans le cas d'une configuration C (air de combustion de l'intérieur), Rinnai recommande fortement l'utilisation du filtre à air ambiant.

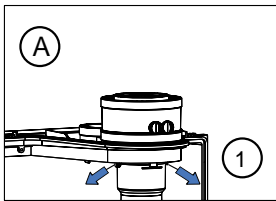
REMARQUE

Lorsque la chaudière est installée dans l'une des zones indiquées au chapitre 5.1, "Zones susceptibles de comporter des contaminants" ou dans une zone exposée aux contaminants indiqués au chapitre 5.1, une combustion étanche est requise.

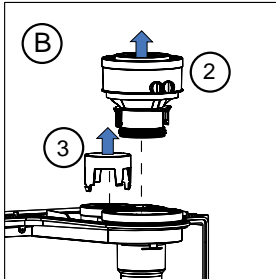
REMARQUE

Nous conseillons d'installer un système d'évacuation hors du programme du système d'évacuation fourni par Rinnai (Voir au chapitre 19 la liste des pièces du système d'évacuation). Pour d'autres informations sur les composants disponibles du système d'évacuation fumées et d'aspiration air, nous vous recommandons de consulter Rinnai et la documentation sur les instructions d'installation et la documentation avec les listes des pièces.

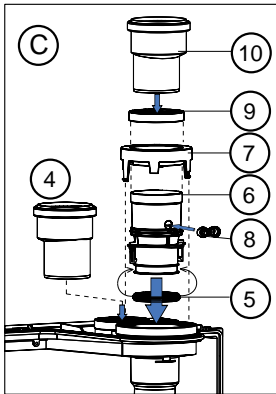
6.7.3.1 Conversion chaudière de concentrique vers parallèle



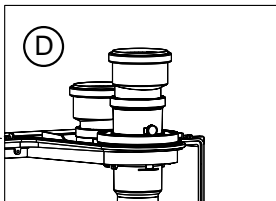
A. 1. Poussez les 2 clips un peu vers l'extérieur



B. 2. Tirez l'adaptateur concentrique de la chaudière
3. Poussez le couvercle dans le raccordement à l'arrière de l'intérieur vers l'extérieur



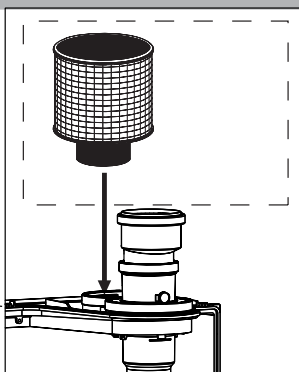
C. 4. Poussez l'adaptateur 3" (80mm) dans le raccordement à l'arrière de la chaudière (= aspiration air)
5. Tirez le joint de caoutchouc sur le fond du raccordement d'évac
6. Poussez le raccordement d'évacuation dans la chaudière, dans le conduit d'évacuation jusqu'à 'CLICK'
7. Poussez le couvercle 5" (125mm) par-dessus le raccordement d'évacuation dans l'ouverture de 5" (125mm) jusqu'à 'CLICK'
8. Poussez le bouchon caoutchouc en position ouverte dans le point de mesure O₂ et fermez l'arrêt.
9. Poussez le joint autour du haut du raccordement d'évacuation
10. Poussez l'adaptateur d'évacuation 3" (80mm) dans le raccordement d'évacuation.



D. Raccordez le système d'évacuation parallèle.

conversion la chaudière
concentrique à parallèle
figure 14a

6.7.3.1 Installer le filtre à air



Poussez le filtre à air dans l'aspiration air au-dessus de la chaudière.
Voir figure 14b.

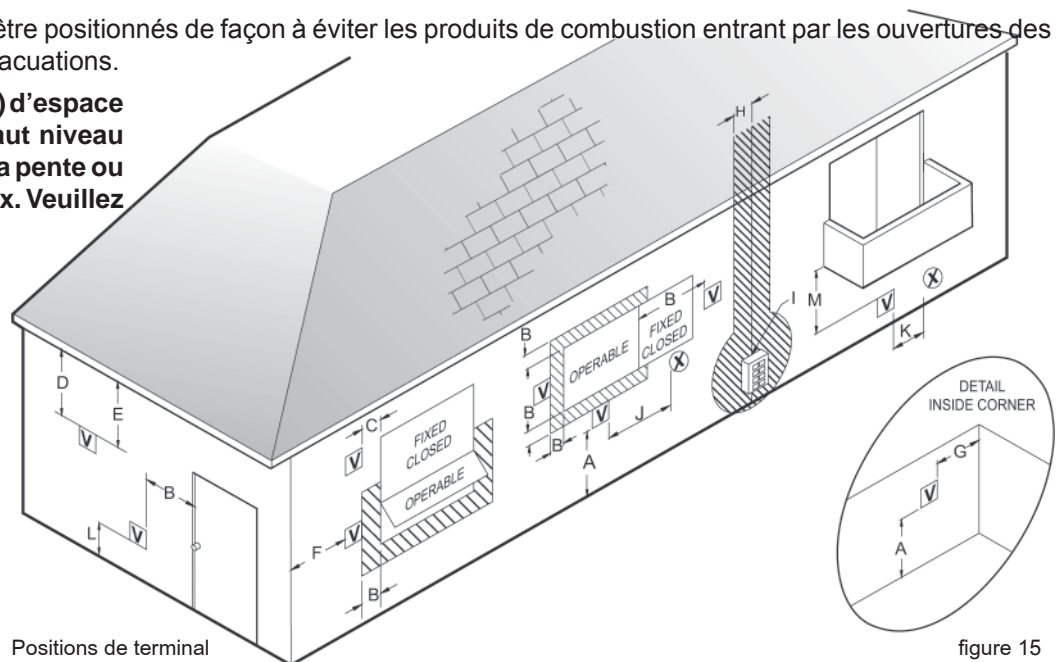
La longueur équivalente du filtre à air du local de combustion est 12ft (3.66m).

installez le filtre à air
figure 14b

6.7.4 Position recommandée des terminaux évacuation/aspiration

Les terminaux doivent être positionnés de façon à éviter les produits de combustion entrant par les ouvertures des bâtiments ou autres évacuations.

Observez 12" (30,5cm) d'espace au-dessus du plus haut niveau de neige prévu ou de la pente ou du plus grand des deux. Veuillez consulter vos codes locaux sur le niveau de la neige de votre région.



Positions de terminal

figure 15

Ref	Description	Installations Canadiennes - Évacuation directe et indirecte	Installations aux 'Etats-Unis Évacuation directe	Installations aux 'Etats-Unis Évacuation indirecte
A	Dégagement au-dessus de catégorie, de véranda, de porche, de plate-forme, ou de balcon	12 pouces (30 cm)	12 pouces (30 cm)	12 pouces (30 cm)
B	Dégagement à la fenêtre ou à la porte qui peuvent être ouvertes	6 pouces (15 cm) pour chaudières ≤ 10,000 Btuh (3 kW), 12 pouces (30 cm) pour chaudières > 10,000 Btuh (3 kW) et ≤ 100,000 Btuh (30 kW), 36 pouces (91 cm) pour chaudières > 100,000 Btuh (30 kW)	6 pouces (15 cm) pour chaudières ≤ 10,000 Btuh (3 kW), 12 pouces (30 cm) pour chaudières > 10,000 Btuh (3 kW) et ≤ 100,000 Btuh (30 kW), 36 pouces (91 cm) pour chaudières > 100,000 Btuh (30 kW)	4 pieds (1.2 m) en-dessous ou à côté d'une ouverture; 1 pied (300 mm) au-dessus d'une ouverture
C	Dégagement à la fenêtre de manière permanente fermée	*	*	*
D	Dégagement vertical au soffite aéré, situé au-dessus de la borne sur une distance horizontale de 2 pieds (61 cm) de la ligne centrale de la borne	*	*	*
E	Dégagement au soffite non aéré	*	*	*
F	Dégagement au coin extérieur	*	*	*
G	Dégagement au coin intérieur	*	*	*
H	Le dégagement à chaque côté de ligne centrale s'est prolongé au-dessus du mètre/régulateur	3 pied (91 cm) entre un hauteur 15 pied (4.5 m) au-dessus l'ensemble de compteur/régulateur	*	*
I	Dégagement pour entretenir la sortie de passage de régulateur	36 pouces (91 cm)	*	*
J	Dégagement à l'admission non mécanique d'air au bâtiment ou à l'admission d'air de combustion à tout autre appareil	6 pouces (15 cm) pour chaudières ≤ 10,000 Btuh (3 kW), 12 pouces (30 cm) pour chaudières > 10,000 Btuh (3 kW) and ≤ 100,000 Btuh (30 kW), 36 pouces (91 cm) pour chaudières > 100,000 Btuh (30 kW)	6 pouces (15 cm) pour chaudières ≤ 10,000 Btuh (3 kW), 12 pouces (30 cm) pour chaudières > 10,000 Btuh (3 kW) and ≤ 100,000 Btuh (30 kW), 36 pouces (91 cm) pour chaudières > 100,000 Btuh (30 kW)	4 pied (1.2 m) au-dessous ou à côté d'une ouverture; 1 pied (300 mm) au-dessus d'une ouverture
K	Dégagement à une admission mécanique d'air	6 pied (1.83 m)	3 pied (91 cm) au-dessus en cas entre 10 pied (3 m) horizontal	3 pied (91 cm) au-dessus en cas entre 10 pied (3 m) horizontal
L	Trottoir pavé ci-dessus de dégagement ou allée pavée située sur la propriété publique	7 pied (2.13 m) [1]	*	7 pied (2.13 m)
M	Dégagement sous la véranda, le porche, la plate-forme, ou le balcon	12 pouces (30 cm) [2]	*	*

[1] Un passage ne se terminera pas directement au-dessus d'un trottoir ou d'une allée pavée qui est située entre deux logements unifamiliaux et sert les deux logements .

[2] Laissez seulement si la véranda, le porche, la plate-forme, ou le balcon est entièrement ouvert sur deux côtés au minimum sous le plancher.

* Des dégagements non spécifiques dans la norme ANSI Z223.1/NFPA 54 ou le CSA B149.1, les dégagements sont conformes aux codes locaux d'installation et aux conditions du fournisseur de gaz .

Dégagements des terminaux du système d'évacuation

tableau 6

 REMARQUE

Consulter le manuel Applications de la chaudière pour des informations d'évacuation fumées supplémentaires.

 REMARQUE

L'extrémité doit se trouver au moins à une distance de 4 pieds (1 220 mm) pour les États-Unis et à 6 pieds (1 830 mm) pour le Canada des compteurs électriques, des compteurs de gaz, des régulateurs et de l'installation d'écoulement. (pour l'air ambiant uniquement)

 ATTENTION

Les systèmes d'évacuation fumées horizontaux doivent toujours être installés en pente vers la chaudière (minimum ¼ de pouce par pied, 21 mm/m), pour éviter la rétention de condensat dans le système d'évacuation fumées. Lorsque le condensat revient vers la chaudière, le risque de formation de glace sur le terminal est réduit.

 ATTENTION

L'itinéraire entier du système d'évacuation fumées doit être installé vers le haut, jamais vers le bas, en totalité et non pas partiellement.

 REMARQUE

Placer des supports de tuyaux tous les 4 pieds (1 219 mm) sur le chemin horizontal, en commençant par le support le plus près de la chaudière pour empêcher les raccords de bouger et permettre à la chaudière ou aux raccords de ne supporter ni contrainte ni poids.

 REMARQUE

Le terminal doit être situé là où la dispersion des produits de combustion n'est pas entravée et en s'inquiétant des dégâts ou de la décoloration qui peut se produire aux matériaux de construction ou de la végétation situés à proximité (voir figures 16 et 17). Dans certaines conditions météorologiques, de la condensation peut également s'accumuler à l'extérieur du tuyau d'admission d'air. Ces conditions doivent être prises en compte et lorsqu'une isolation nécessaire du tuyau d'admission peut être requise.

En cas de froid et/ou d'humidité, de la vapeur d'eau peut se condenser lorsqu'elle quitte le terminal d'évacuation fumées. L'effet de cette «condensation d'eau» doit être pris en considération. Le terminal doit être situé dans un endroit qui n'est pas susceptible de provoquer de nuisances.

Utilisez les instructions du système d'évacuation fumées de Rinnai pour l'installation et l'entretien.

 REMARQUE

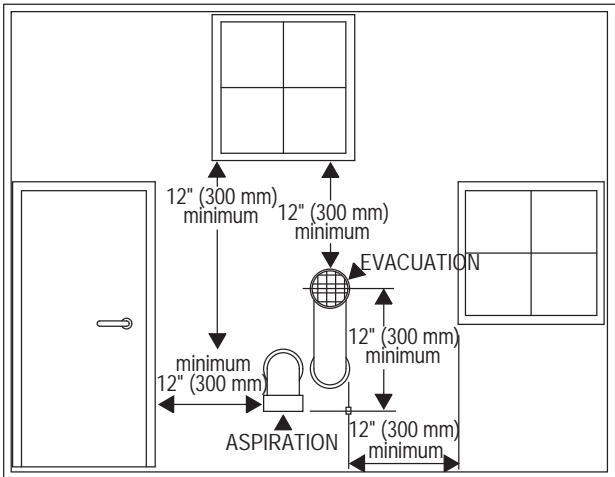
L'utilisation de PVC, CPVC ou Radel cellulaire ou à âme de mousse n'est pas autorisée pour la chaudière.

 REMARQUE

L'application de tout type d'isolation est interdit pour utilisation avec n'importe quel système d'évacuation en plastique.

Description	Matériel de conduit	États-Unis	Canada
Conduits et raccords évacuation et/ou aspiration en plastic	PVC Schedule 40	ANSI/ASTM D1785	ULC S636
	PVC - DWV	ANSI/ASTM D2665	
	CPVC Schedule 40	ANSI/ASTM F441	
Colle et primer conduit en plastique	PVC	ANSI/ASTM D2564	
	CPVC	ANSI/ASTM F493	

Description	Matériel de conduit	Fabricant	Code d'approbation US/CAN	Matériel de conduit
Système d'évacuation en inox	Inox	Heat Fab	UL1738 Concentrique Conduit double	Saf-T Vent SC Saf-T Vent EZ Seal
Système d'évacuation en inox	Inox	Simpson Dura-Vent	UL1738 Flexible liner UL1738 Concentrique Conduit double	FastNSeal Flex FastNSeal
Système d'évacuation en inox	Inox	Ubbink		Rolux Condensing Vent System
Système d'évacuation en plastic	PPS	Ubbink	ULC S636	Rolux Condensing Vent System
Système d'évacuation en plastic	PVC/CPVC	IPEX	ULC S636	System 636
Système d'évacuation en plastic	PPS	Centrotherm	ULC S636 et UL 1738	Innoflue



Positions de terminal PVC

figure 16

Équivalent des tuyeau ou raccords PVC		
	pieds	m
Coude 45 degrés	3	0.91
Coude 90 degrés	6	1.83
Conduite en plastique per pied	1	0.30
Kit évacuation concentrique	3	0.91

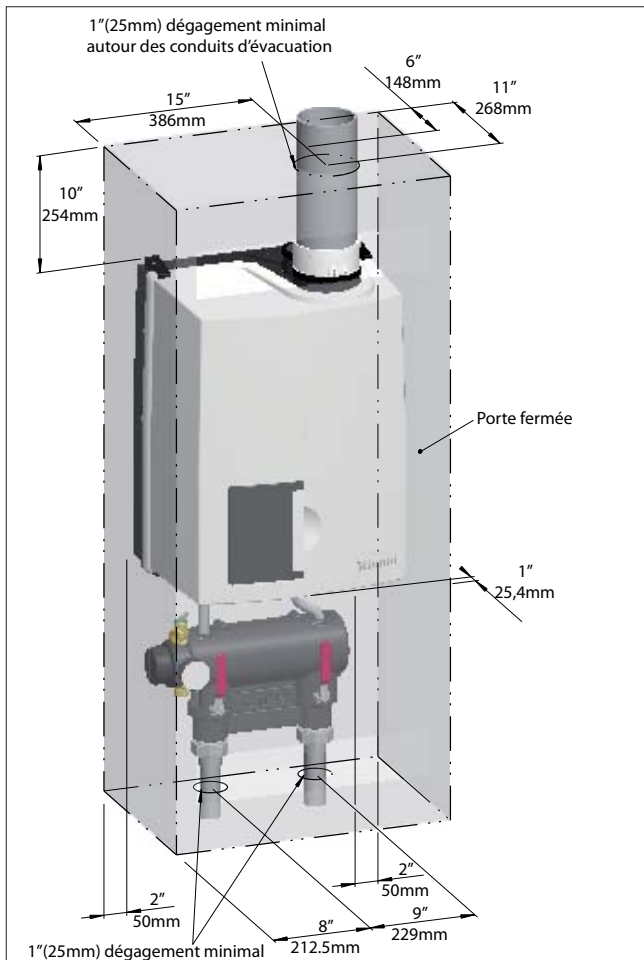
Perte de charge équivalente de PVC/CPVC tableau 8

6.7.5 Installation vent direct en placard ou en alcôve

⚠ AVERTISSEMENT

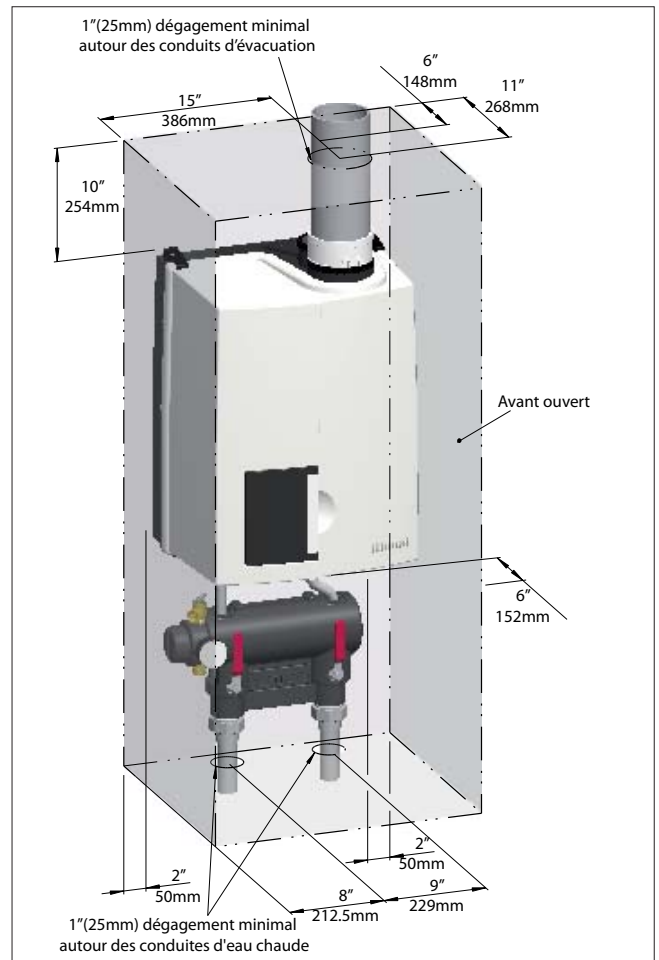
Pour une installation en placard ou en alcôve, du matériel en CPVC et non en PVC doit être utilisé. Tout manquement au respect de cet avertissement pourrait provoquer un incendie, des blessures corporelles ou la mort.

Rinnai recommande fortement d'utiliser le système d'évacuation concentrique pour toutes les installations en placard ou en alcôve. Pour une installation d'évacuation indirecte configuration C, voir les sections 6.7.6 et 6.7.9.



Installation en placard

figure 17



Installation en alcôve

figure 18

6.7.6 Dimensionnement du conduit d'évacuation fumées et d'aspiration air



DANGER

La chaudière à montage mural doit avoir une évacuation fumées et une aspiration air de combustion comme décrit dans cette section.

S'assurer que les conduits d'évacuation et d'aspiration, ainsi que l'alimentation en air de combustion sont conformes à ces instructions concernant le système d'évacuation, le système d'air et la qualité d'air de combustion.

Inspecter soigneusement les conduits d'évacuation fumées et d'aspiration air pour s'assurer qu'ils sont tous étanches et conformes aux instructions fournies, ainsi qu'à toutes les exigences des codes en vigueur.

La fourniture d'un système d'évacuation et d'aération incorrectement installé peut provoquer des blessures corporelles graves ou la mort.



AVERTISSEMENT

N'utiliser que les matériaux listés dans la documentation de Rinnai sur les conduits d'évacuation et les raccords. La non observation peut provoquer des blessures corporelles graves, la mort ou des dégâts matériels importants.



REMARQUE

L'installation doit être conforme aux exigences locales et au Code National du Gaz combustible ANSI Z223.1 sur les installations aux États-Unis, ou CSA B 149.1 sur les installations canadiennes.



AVERTISSEMENT

Pour une installation en placard ou en alcôve, du matériel en CPVC et non en PVC doit être utilisé dans une structure en placard/alcôve. Tout manquement au respect de cet avertissement pourrait provoquer un incendie, des blessures corporelles ou la mort.



REMARQUE

Tous les conduits d'évacuation doivent être raccordés et correctement supportés, et l'évacuation doit avoir une pente minimum de ¼ de pouce par pied (21 mm/m) dans le sens inverse de la chaudière (pour permettre l'évacuation des condensats). Veuillez consulter le manuel du fabricant de l'évacuation pour savoir si une pente plus grande est nécessaire pour les systèmes spécifiques d'évacuation. La pente d'évacuation requise par le fabricant du système d'évacuation doit toujours être respectée si elle est supérieure à ¼ de pouce (21 mm). L'évacuation concentrique de condensation d'Ubbink requiert une pente de ¾ de pouce par pied (6 mm/m).



REMARQUE

Les conduites pour l'air de combustion de l'extérieur DOIVENT ÊTRE conformes aux exigences de l'autorité compétente ou, en l'absence de ces exigences, à la dernière édition du Code National du Gaz combustible, ANSI Z223.1/NFPA 54. Au Canada, l'installation doit être conforme aux exigences du code d'installation du gaz naturel et du propane CAN/CSA B149.1.



REMARQUE

Voir dans le manuel de fonctionnement des chaudières Rinnai, les renseignements supplémentaires sur l'évacuation.

6.7.7 Longueurs des conduits d'air de combustion et d'évacuation fumées

Vous trouverez dans le tableau ci-dessous la longueur équivalente maximale du conduit du système d'évacuation fumées/aspiration air pour un diamètre de 3". Ces longueurs sont pour des conduits simples (air ambiant-configuration C), des conduits doubles et des systèmes de d'évacuation concentriques.

Type de chaudière	3" Longueur équivalente max. d'évacuation	3" Longueur équivalente max. d'air admission
E75	100 pieds	100 pieds
E110	100 pieds	100 pieds

Longueurs équivalentes évacuation

table 9

Calcul de la longueur équivalente du système d'évacuation

Choisir le type d'évacuation et remplir le tableau correspondant.

* Lors de la détermination de la longueur équivalente d'air de combustion et d'évacuation, ajouter 6 pieds (1,83 m) pour chaque coude à 90°, 3 pieds (0,90 m) pour chaque coude à 45°, 5 pieds (1,52 m) pour le terminal concentrique du système parallèle, 2 pieds (0,60 m) pour le terminal concentrique dans le système concentrique, et 12 pieds (3,66 m) pour le filtre à air dans le système d'air ambiant (configuration C).

Système parallèle

Longueur de conduit	Nombre de coudes 90° x 6*	Nombre de coudes 45° x 3*	Terminal conc. Ajoutez 5 pieds*	Total	Multipliez avec facteur	Longueur équivalente
Air de combustion						
p	p	p	p	p	0.5	p
Évacuation						
p	p	p	p	p	0.5	p
Longueur équivalent totale						<u>p</u>

Système concentrique

Longueur de conduit concentrique, chaudière jusqu'au toit horizontal	Nombre de coudes 90° x 6*	Nombre de coudes 45° x 3*	Terminal conc. Ajoutez 2 pieds*	Total	Multipliez avec facteur	Longueur équivalente
p	p	p	p	p	1.0	p

Exemple de calcul :

Conduit double (parallèle) avec terminal

Longueur d'air de combustion : 24 pieds (7,31 m) avec coude 3 x 90°

Longueur d'évacuation : 24 pieds (7,31 m) avec coude 2 x 90°, coude 2 x 45°

Calcul :

Longueur équivalente air : $(24+3 \times 6+2) \times 0,5 = 23 \text{ pieds (7,01 m)}$

Longueur équivalente d'évacuation : $(24+2 \times 6+2 \times 3+2) \times 0,5 = 23 \text{ pieds (7,01 m)}$ +
Total = 46 pieds (14 m).

6.7.8 Calcul du facteur de compensation

Le facteur de compensation élimine ou réduit l'effet naturel de réduction de puissance à l'entrée maximum, provoqué par la résistance du système d'évacuation et/ou l'impact de l'altitude.

1. Déterminez le système d'évacuation du facteur de compensation FC(V) dans le tableau ci-après.

Longueur eq. (p)		Type de chaudière	
min	max	E75	E110
		FC (V)	
0	10	0	0
11	20	0	0
21	30	0	2
31	40	1	4
41	60	2	6
61	80	3	8
81	100	4	10

Facteur de compensation FC(V)

tableau 10

2. Déterminez l'altitude du facteur de compensation FC(A) dans le tableau ci-après.

Altitude (p)		Type de chaudière
min	max	E75, E110
		FC (A)
0	1	0
1,000	2,000	6
2,000	3,000	12
3,000	4,000	18
4,000	5,000	24
5,000	6,000	30
6,000	7,000	36
7,000	8,000	42
8,000	9,000	48
9,000	10,000	54

Facteur de compensation altitude FC(A)

tableau 11



REMARQUE

Toute application ou installation au-dessus de 10 000 doit être révisée par le groupe technique de Rinnai. Ceci permet de garantir que le produit est installé comme il faut, que l'ensemble du système est correctement conçu et que la mise en service des éléments se déroule correctement. Ne pas impliquer le groupe technique de Rinnai peut annuler l'aide au produit et la garantie.

3. Calcul du Facteur de Compensation Total FC(T) :

$$FC(T) = FC(V) + FC(A)$$

Le résultat est le réglage pour le paramètre 73.

Changez le paramètre 73 selon ce résultat. Voir au Chapitre 11.1 comment changer des paramètres.

Exemple de calcul :	E110
Longueur équiv. du système d'évacuation (tirée de l'exemple précédent)	46 pieds (14 m) FC(V) = 6
Altitude	7 200 pieds (2 200 m) $\frac{FC(A) = 42 +}{FC(V) = 48}$
Réglage du paramètre (Par. 73) =	48



AVERTISSEMENT

Ne pas surcompenser la chaudière en réglant une valeur supérieure à celle calculée, sinon la chaudière pourrait être endommagée.

6.7.9 Système d'air ambiant (air de combustion intérieur- configuration C)

Avec de l'air ambiant, Rinnai recommande fortement d'utiliser un filtre à air pour l'intérieur, P/N 808000025.



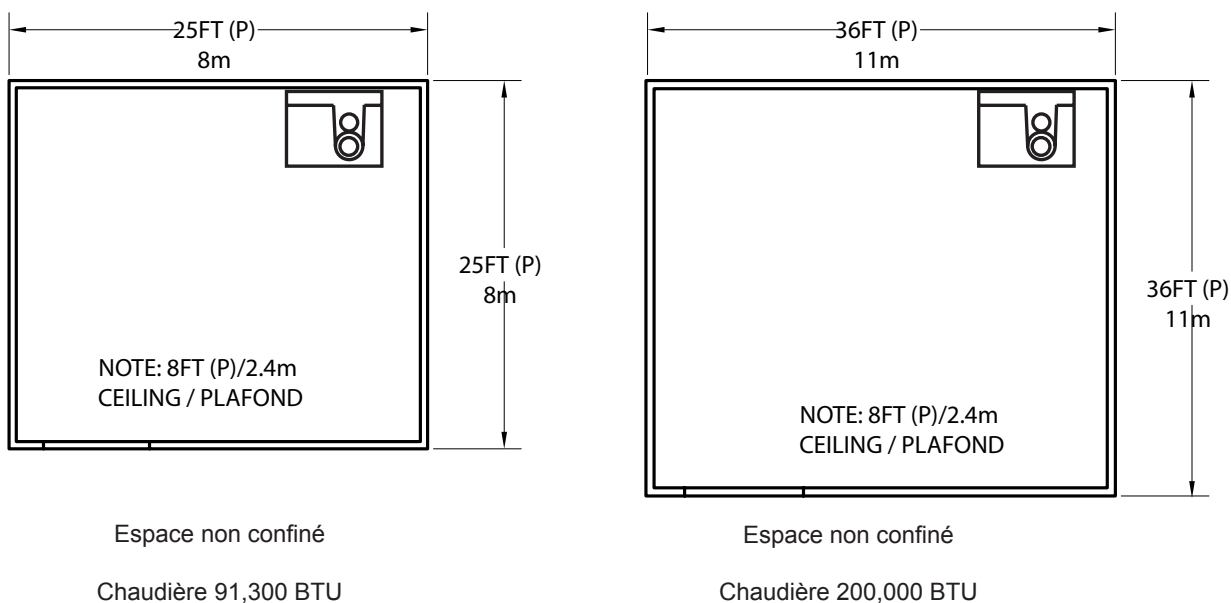
AVERTISSEMENT

Cette chaudière nécessite un bon air de combustion pour la ventilation et la dilution des fumées. Le fait de fournir de l'air de combustion inadéquat peut provoquer une panne de l'appareil, un incendie, une explosion, de graves blessures corporelles ou la mort. Utilisez les méthodes suivantes pour garantir la disponibilité d'un air de combustion convenable pour un fonctionnement correct et sûr de ce chauffe-eau.

Important : L'air de combustion ne doit pas comporter de produits chimiques corrosifs. Ne pas fournir de l'air de combustion d'environnements corrosifs. Les pannes d'appareil dues à de l'air corrosif ne sont pas couvertes par la garantie limitée. L'air de combustion ne doit pas comporter de produits chimiques générateurs d'acide comme le soufre, le fluor et le chlore. Ces produits chimiques se sont révélés provoquer des dégâts et une dégradation rapides, et peuvent devenir toxiques lorsqu'ils sont utilisés comme air de combustion dans des appareils à gaz. Ces produits chimiques se trouvent, mais pas exclusivement, dans des agents de blanchiment, l'ammoniaque, les litières de chats, les aérosols, les solvants de nettoyage, le vernis, les peintures et les assainisseurs d'air. Ne pas entreposer ces produits ou des produits similaires à proximité de cette chaudière.

Espace non confiné :

Un espace non confiné est défini dans la NFPA n° 54 « comme un espace dont le volume n'est pas inférieur à 50 pieds cubiques par 1 000 BTU/heure (4,8 m³ par kWh) de débit calorifique total de tous les appareils installés dans cet espace. Les pièces qui communiquent directement avec l'espace dans lequel les appareils sont installés par des ouvertures non équipées de portes, sont considérées comme faisant partie de l'espace non confiné. » Si « l'espace non confiné » contenant le ou les appareils se trouve dans un bâtiment avec une structure serrée, de l'air extérieur peut encore être nécessaire à un bon fonctionnement. Les ouvertures d'air extérieur doivent être dimensionnées de la même façon que pour un espace confiné.



Espace non confiné

figure 19

Espace confiné :

(petite pièce, placard, alcôve, buanderie, etc.)

Un espace confiné est défini dans la NFPA n° 54 « comme un espace dont le volume est inférieur à 50 pieds cubiques par 1 000 BTU/heure (4,8 m3 par kWh) de débit calorifique total de tous les appareils installés dans cet espace. » Un espace confiné doit avoir deux ouvertures d'air de combustion. Dimensionnez les ouvertures d'air de combustion en fonction de l'entrée BTU pour tout appareil au gaz dans l'espace et la méthode par laquelle l'air de combustion est fourni :

- Utilisation de l'air intérieur pour la combustion
- Utilisation de l'air extérieur pour la combustion

Louvres et Grilles

Lorsque l'on dimensionne l'ouverture permanente comme illustrée à la figure 24, une attention doit être apportée à la conception des persiennes ou des grilles pour maintenir la zone libre requise pour tout le matériel utilisant du gaz dans l'espace. Si la zone libre des persiennes ou de la grille n'est pas disponible, supposez que des persiennes en bois auront une zone libre de 25% et des persiennes ou des grilles en métal auront 75% de zone libre. En aucune circonstance les persiennes, la grille ou l'écran doivent avoir des ouvertures inférieures à 1/4".

Exemple :

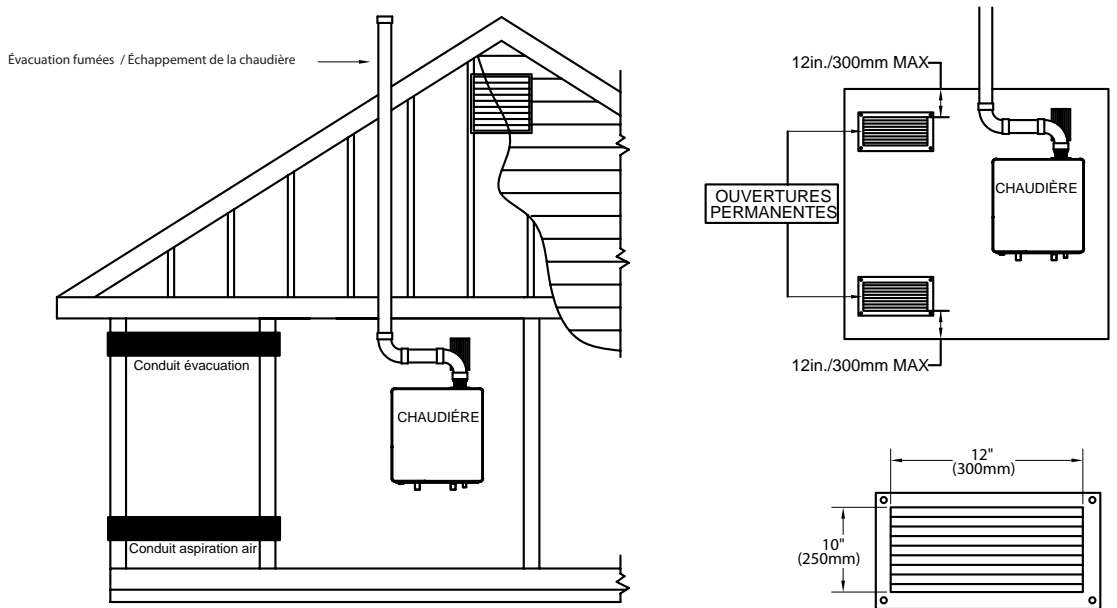
Bois : 10 po x 12 po x 0,25 = 30 po2

Métal : 10 po x 12 po x 0,75 = 90 po2

Emplacement

Pour maintenir une bonne circulation de l'air de combustion, deux ouvertures d'air permanentes (l'une en haut, l'autre en bas) doivent être positionnées dans les espaces confinés. Celle du haut doit être placée dans les 12 pouces (30 cm) de l'espace confiné et l'ouverture du bas doit se situer dans les 12 pouces (30 cm) du fond de l'espace confiné. Les ouvertures doivent être positionnées de façon à ne jamais être obstruées.

L'air de combustion fourni à la chaudière ne doit pas être pris d'une région de la structure qui pourrait produire une pression négative (c.-à-d. des ventilateurs d'évacuation, des ventilateurs de ventilation électrifiés).



Louvres et grilles

figure 20

Utilisation d'air intérieur pour la combustion

Lorsque l'on utilise l'air d'une ou plusieurs autres pièces du bâtiment, le volume total de la ou des pièces doit être adapté (supérieur à 50 pieds cubiques par 1000 BTU/heure). Chaque ouverture d'air de combustion doit avoir au moins un pouce carré de surface libre pour chaque 1000 BTH/h, et pas moins de 100 pouces carrés chacun.

Utilisation d'air extérieur pour la combustion

L'air extérieur peut être fourni à un espace confiné par deux ouvertures permanentes, l'une qui commence dans les 12 po. (300mm) au-dessus et l'autre dans les 12 po (300mm) au bas de l'espace confiné. Les ouvertures doivent communiquer avec l'extérieur par l'une des deux voies :

- directement par les conduits horizontaux
- indirectement par les conduits verticaux

Lorsqu'elles communiquent directement avec l'extérieur par les conduits horizontaux, chaque ouverture doit avoir une surface libre de minimum $1 \text{ po}^2/2000 \text{ BTU/h}$ ($1100 \text{ mm}^2/\text{kW}$) de débit calorifique total de tous les appareils dans l'espace confiné.

Remarque : Si les conduits sont utilisés, la surface de la section du conduit doit être supérieur ou égal à la surface libre requise des ouvertures auxquelles elles sont raccordées.

Lorsqu'elles communiquent indirectement avec l'extérieur par les conduits verticaux, chaque ouverture doit avoir une surface libre de minimum $1 \text{ po}^2/4000 \text{ BTU/h}$ ($550 \text{ mm}^2/\text{kW}$) de débit calorifique total de tous les appareils dans l'espace confiné. L'air de combustion pour l'appareil peut être fourni à partir d'un grenier bien ventilé ou d'un vide sanitaire.

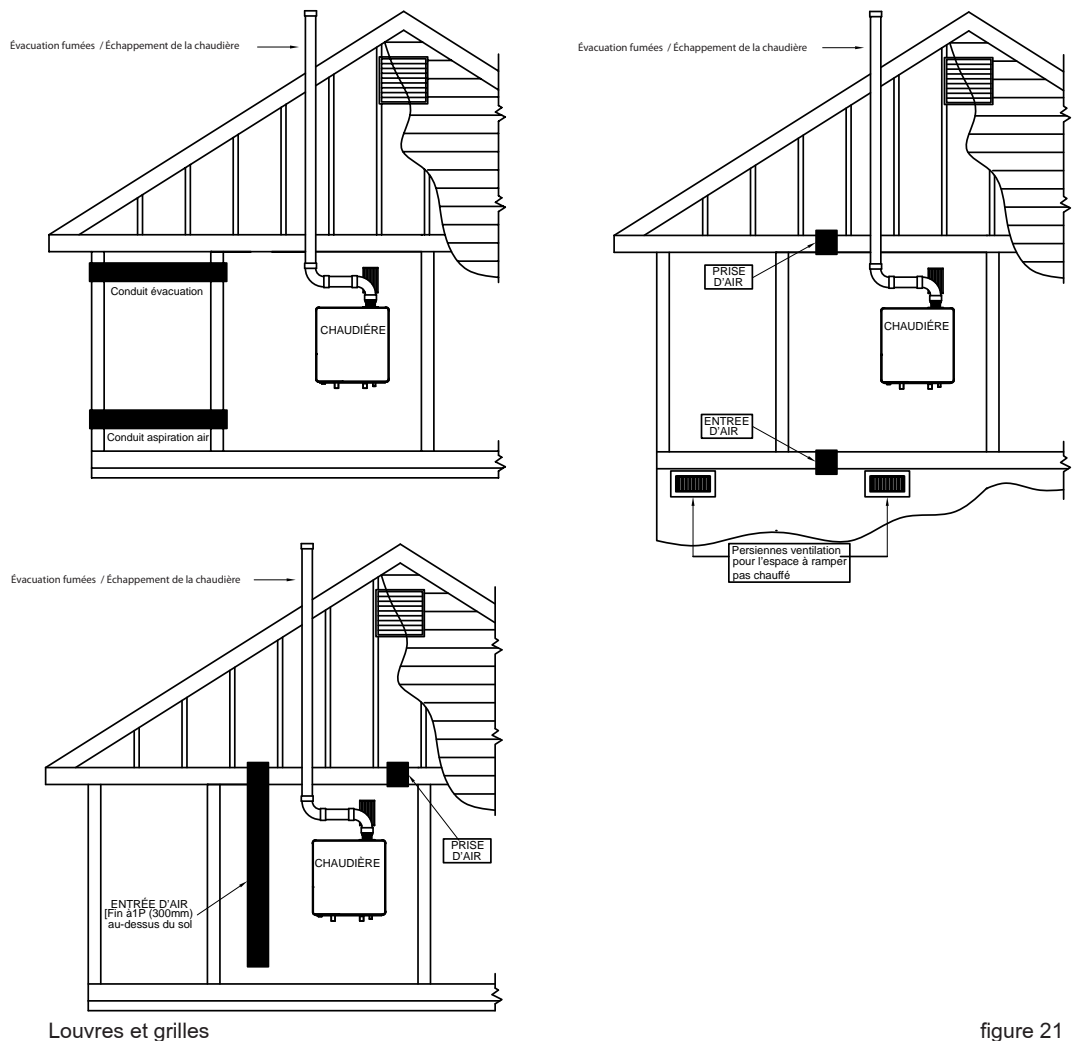


figure 21

7 Connexions électriques

Les branchements électriques à la chaudière doivent être effectués conformément à toutes les prescriptions locales en vigueur et à la dernière version du National Electrical Code, ANSI/NFPA-70. Les installations doivent également être conformes au CSA C22.1 Canadian Electrical Code Part 1, si elles sont faites au Canada.

Les dispositifs tels que la sonde extérieure, le thermostat d'ambiance ou la commande température, la sonde température ou le thermostat et une pompe externe sont tous connectés au bornier intérieur. Le bornier est située dans le boîtier de commande.

Branchement du courant entrant

Installez un interrupteur principal de 120 V à proximité de la chaudière comme interrupteur principal de service de la chaudière.

Passez le câble par l'arrière de la chaudière à l'aide d'une presse-étoupe et guidez-le à travers des supports de câble vers le boîtier de commande.

Connectez un câble d'alimentation électrique au bornier du faisceau de câblage qui raccorde l'interrupteur général à l'avant du boîtier de commande au bornier avec les positions 1,2, et 3 à l'intérieur du boîtier de commande.



ATTENTION

La chaudière doit être électriquement reliée à la terre conformément aux prescriptions locales, ou en l'absence de codes locaux, au Code électrique national, ANSI/NFPA 70 et/ou au Code électrique CSA C22.1.



ATTENTION

RISQUE DE CHOC ÉLECTRIQUE.

Une fois l'alimentation électrique principale allumée, les bornes 1 à 12 sont en 120V si l'interrupteur principal à l'avant du boîtier de commande est allumé.



ATTENTION

- **Aucune modification ne peut être faite au câblage de la chaudière.**
- **Toutes les connexions doivent être conçues conformément à la réglementation en vigueur.**
- **Au moment des contrôles d'entretien, étiquetez tous les fils avant de les débrancher. Des erreurs de câblage risquent de nuire au bon fonctionnement et peuvent être dangereux.**



ATTENTION

- **S'assurer du bon fonctionnement une fois l'entretien terminé.**

i REMARQUE

Le thermostat d'ambiance Rinnai et les commandes doivent être raccordés à leurs connexions désignées. Tous les autres types ou marques de thermostats d'ambiance ou de commandes utilisés doivent être équipés d'un contact hors tension.

Si un thermostat ou une commande marche/arrêt est utilisé, il est possible qu'une résistance anticipatrice doive être calibrée, dans le but d'empêcher des fluctuations trop importantes de la température. En règle générale, ceci implique des thermostats à mercure. Ce fil de résistance est présent dans le boîtier de commande et doit être raccordé aux bornes 23 et 27. La résistance anticipatrice dans le thermostat d'ambiance doit être réglée à 0,11 A.

Pour des questions plus détaillées sur les composants non fournis, le distributeur doit être contacté.

i REMARQUE

Lors du câblage de RS100, il est suggéré de placer un pont sur les bornes 22 et 23 ceci au cas où la commande devait être endommagée, la chaudière peut encore s'allumer avec le reset externe. Le pont doit également être utilisé lors de la mise en service ou du dépannage de la chaudière.

i REMARQUE

Les thermostats de types 'power stealing' ne peuvent pas être connectés aux bornes 22 et 23.

Bornier de connexion série E																												
120 V~ Power supply			120 V~			120 V~			120 V~			Cylinder connection three-way valve					DHW sensor		Outside sensor		Bus Controller		Room therm. On / Off		External safety contact		24 V~ 100 mA	
N	L		N	L		N	L		N	L		8U.35.60.00	CH	DHW	N						A	B						
1	2	3	4	5	6	7	8	9	10	11		12	13	14	15	16	17	18	19	20	21	22	23	24	25	26	27	
Alimentation secteur			120 Volts Uniquement Rinnai			120 Volts Uniquement Rinnai			120 Volts Uniquement Rinnai			Moteur de vanne trois voies interne ou externe et sonde ECS					Sonde extérieure ARV12		Bus thermostat d'ambiance de RS100 uniquement		Thermostat ou commande Marche/Arrêt (hors tension)		Contact de sécurité externe					
<p>! ATTENTION Les bornes 4 à 11 sont seulement pour usage par Rinnai et ne doivent pas user pour l'installation.</p>																												

Bornier de connexion

figure 22

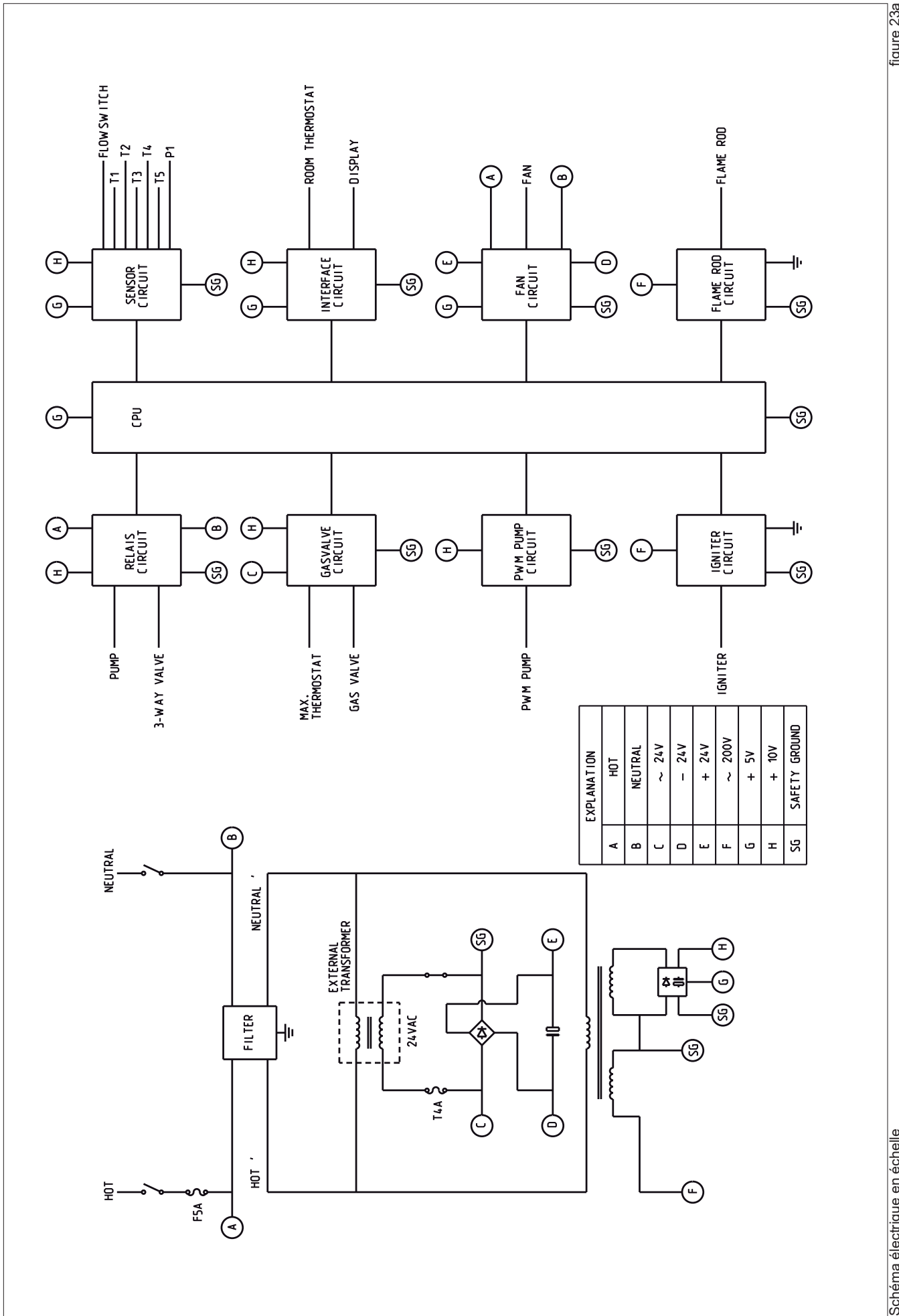


figure 23a

Installation & Servicing Instructions Rinnai E-Series

8 Commandes chaudière

La chaudière est équipée d'une commande à microprocesseur entièrement automatique, appelé Système de Gestion des Commandes (SGC). Cette commande simplifie le fonctionnement en se chargeant de toutes les fonctions principales de commande. Au départ, lorsque l'alimentation de l'appareil est allumée, elle reste en stand-by. Il n'existe aucune indication DEL allumée tant qu'on n'appuie pas sur une des touches de programme. Le panneau de commandes affiche l'état correspondant. Lorsque l'installation est vide, l'affichage indique FILL.

Les différents paramètres peuvent être affichés de deux manières :

L'affichage Good ou standard

La première façon donne un simple résultat d'affichage.

La chaudière en marche affiche toujours 'Good'. Lorsqu'un message est nécessaire, celui-ci est indiqué à la place de Good.

Résultat technique

La deuxième façon est un affichage technique. En conditions normales, s'affichent les messages suivants :

- sur la gauche, l'état dans lequel la chaudière est active ;
 - sur la droite, la température départ en °F;
- indiqué alternativement par :
- la pression d'eau dans l'installation en PSI.

Lorsqu'un message (code erreur ou blocage) est nécessaire, il s'affiche à la place de l'affichage technique.

Exemple

Exemple

REMARQUE

Pour passer de l'état <Good> à l'affichage technique (et vice versa) :
- Appuyez sur la touche STEP pendant 5 secondes.

Lorsque le système est rempli, le programme automatique de purge démarre, lorsqu'un programme a été choisi, en appuyant sur le bouton de Chauffage central, ECS ou programme de pompe (, ou). Le programme dure 17 minutes et s'arrête automatiquement. Ensuite, l'appareil fonctionne normalement. (Voir également « remplissage et purge de la chaudière et de l'installation, chapitre 10).

Lorsqu'on demande du chauffage ou de l'eau chaude, le système de commande choisit la température de réglage requise de l'eau requise. Cette température de l'eau est appelée valeur de consigne T. Lorsque le chauffage central est demandé, la chaudière s'allume d'abord à faible débit calorifique. Le débit est ensuite modifié progressivement pour atteindre la charge requise. La chaudière fonctionne de cette façon pour éviter les bruits d'eau excessifs et une surchauffe. Lorsqu'une alimentation en eau chaude sanitaire est demandée, la valeur de consigne T de la température d'eau du retour du chauffage central est contrôlée. En fonction de la quantité d'eau sanitaire soutirée du boiler, la température de l'eau de retour du chauffage central, d'où le débit calorifique est réglé, va varier.

Indication de fonctionnement (dans la première position d'affichage par résultat technique)

- Pas de demande de chaleur
- Phase de pré- / post ventilation
- Phase d'allumage
- Brûleur actif sur chauffage central
- Brûleur actif sur eau chaude sanitaire (ECS)
- Contrôle ventilateur
- Brûleur à l'arrêt avec thermostat d'ambiance en demande
- Temporisation pompe de chauffage
- Temporisation pompe de charge ECS
- Arrêt brûleur sur température de départ trop haute
- Programme de purge automatique

8.1 Explication des touches de fonctions

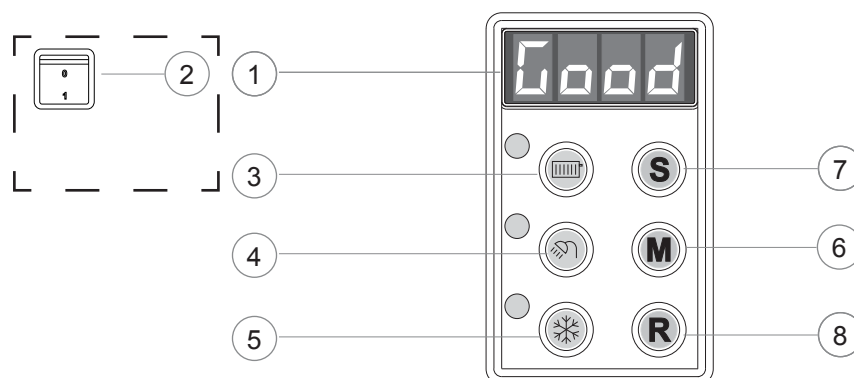


Tableau de commande chaudière

figure 24

REMARQUE

Seul du professionnels agréés, formé pour l'entretien de ces chaudières, est autorisé à effectuer des modifications dans la commande pour calibrer la chaudière à l'installation.



- 1. Affichage.** Voir les informations complémentaires à la page précédente.
- 2. Interrupteur de MARCHÉ/ARRÊT.** Cet interrupteur commande la mise en marche ou l'arrêt de l'alimentation électrique de la chaudière.

ATTENTION

N'éteignez la chaudière qu'avec cet interrupteur lorsque le brûleur est éteint.



3. Touche du programme chauffage central.

Mise en marche ou arrêt du chauffage central (DEL marche/arrêt) ;



4. Touche du programme eau chaude.

Mise en marche ou arrêt de l'installation d'eau chaude sanitaire (ECS) (DEL marche/arrêt) ;



5. Touche du programme pompe.

règle la pompe sur circulation d'eau en continu dans le circuit de chauffage central (DEL allumée), ou selon le tempérisation de la pompe sur les programmes s'y rapportant (DEL éteinte) ;

REMARQUE

Lorsque la pompe est allumée en continu, cela peut provoquer un chauffage non souhaité du circuit de chauffage central pendant l'été.

6 Touche mode.

Après avoir appuyé brièvement, une sélection de chapitres de données peut être retrouvée.

Après avoir appuyé pendant 5 secondes, il est possible d'entrer le code comme décrit au chapitre 11.3 ;

7 Touche Step.

En appuyant brièvement, la pression de l'eau peut être retrouvée, de même que les pages par chapitre.

Après avoir appuyé pendant 5 secondes, il passe de l'affichage Good état à technique et vice-versa ;

8 Touche de Reset.

Après avoir appuyé brièvement pour :

- déblocage d'erreurs ;
- fin du code d'accès ;

Après avoir appuyé pendant 5 secondes, un arrêt du fonctionnement intervient par exemple, pour activer le programme de purge automatique.

Certaines touches ont d'autres fonctions. Ces fonctions ne sont actifs que si, selon la procédure décrite au chapitre 11, le réglage doit être modifié ou les données doivent être récupérées dans le SGC. Ces fonctions sont les suivantes :

- Touche du programme de chauffage central : fonction + ;
- Touche du programme d'eau chaude : fonction - ;
- Touche du programme de pompe : fonction enregistrement, ce qui signifie qu'au moyen de cette Touche, un réglage modifié est confirmé;
- Touche Step : défilement dans le chapitre de données. scrolling in a data chapter.

9 Démarrage : Remplissage et purge de la chaudière et de l'installation



ATTENTION

ATTENTION

Respectez les règles de sécurité suivantes :

- Toutes les interventions sur l'appareil doivent être effectuées dans un environnement sec.
- Les appareils Rinnai ne peuvent jamais fonctionner sans leur habillage, sauf en cas de maintenance ou de réglages (voir Chapitres 12 et 13).
- Ne laissez jamais des composants électriques ou électroniques entrer en contact avec l'eau.



REMARQUE

REMARQUE

Effectuez les tâches suivantes en rapport avec la maintenance, etc. sur un appareil déjà installé :

- Fermez tous les programmes
- Fermez la vanne d'isolement gaz
- Coupez l'alimentation sur l'interrupteur principal
- Fermez les robinets de service (départ et retour)



REMARQUE

REMARQUE

Notez ce qui suit lorsqu'une maintenance ou des réglages sont nécessaires :

- L'appareil doit pouvoir fonctionner pendant ces activités ; pour cela, la tension d'alimentation de l'appareil, la pression du gaz et la température de l'eau doivent être maintenues. Assurez-vous que ceci ne soit pas une source de danger potentiel pendant ces activités.



AVERTISSEMENT

Après une maintenance ou d'autres activités, vérifiez toujours l'installation de toutes les pièces par lesquelles circule le gaz (à l'aide du test à bulles avec un pulvérisateur de recherche de fuites).

9.1 Exigences du circuit d'eau

Avant de remplir le circuit de chauffage, le système complet, y compris toutes les zones, doit être soigneusement nettoyé et rincé, pour éliminer les sédiments. Rincez jusqu'à ce que de l'eau propre s'écoule sans sédiments. Rinnai suggère d'utiliser un nettoyant agréé pour circuit, pour rincer le système, mais pas la chaudière. Utilisez toujours de l'antigel agréé par Rinnai, voir liste à la fin de ce chapitre.

Les antigels agréés sont le Noble Noburst Aluminum, Rhomar RhoGard Aluminum Safe Multi-Metal. N'utilisez jamais d'osmose inverse, d'eau désionisée ou distillée pour remplir le circuit de chauffage.



AVERTISSEMENT

N'utilisez pas de nettoyant ou de mastic à base de pétrole dans le circuit de la chaudière. Des joints d'étanchéité ou des garnitures de la chaudière et du circuit pourraient être endommagés et provoquer des dégâts matériels importants.

L'installation de chauffage central doit être remplie à l'eau potable.



AVERTISSEMENT

N'utilisez que de l'eau potable ou du glycol agréé pour remplir le circuit de chauffage. Lorsque la dureté de l'eau de remplissage est supérieure à 10,5 gpg (200 mg/L) et que le volume de l'installation > 20 L/kW (5,2 gallons/3,412 BTU), l'eau doit être traitée jusqu'à être inférieure à la valeur maximale de 10,5 gpg (200 mg/L). La valeur du pH de l'eau de l'installation doit être entre 6,5 et 8,5.

Vérifiez la valeur du pH à l'aide du matériel adéquat ou en faisant analyser l'eau par une société de traitement de l'eau.

Si le pH diffère des valeurs ci-dessus, contactez les techniciens de Rinnai pour une assistance supplémentaire.

 REMARQUE

Le non-respect des exigences de qualité d'eau entraîne l'annulation de la garantie limitée.

Protection contre le gel

La protection contre le gel pour des systèmes neufs ou existants doit utiliser du glycol spécialement formulé à cet effet. Ceci comprend les inhibiteurs, qui empêchent le glycol d'attaquer les composants métalliques. Ceci concerne les composants polymétalliques. Assurez-vous que la concentration en glycol et le niveau d'inhibiteur du liquide du circuit soient corrects. Le circuit doit être testé au moins une fois par an et comme le recommande le fabricant de la solution de glycol. La concentration autorisée est 50% maximale.

 REMARQUE

N'utilisez que des inhibiteurs agréés par Rinnai. Voir ci-dessous la liste des inhibiteurs agréés.

 AVERTISSEMENT

N'utilisez que des solutions de propylène glycol inhibées, qui sont spécialement formulées pour les systèmes de chauffage central. L'éthylène-glycol est toxique et peut attaquer les garnitures et les joints dans la chaudière et le circuit. Les glycols agréés figurent dans la liste en dessous.

 REMARQUE

Les additifs dans l'eau de l'installation ne sont pas autorisés.

Antigels agréés: • Rhomar RhoGard Mutli-Metal (AL safe)
(concentration max. 50%) • AL Noburst Noble

Nettoyants système agréés: • Noble Noburst Hydronic System Cleaner
• Fernox F3 Cleaner
• Hydro-Solv Rhomar 9100

 REMARQUE

Les nettoyants pour circuit de NoBurst, Rhomar et Fernox ne doivent pas être utilisés dans la chaudière. La chaudière doit être isolée par des vannes (fermées) du reste du circuit ou débranchée, tant que du nettoyant se trouve dans le circuit. Le circuit doit être vidangé puis soigneusement rincé à l'eau propre pour évacuer tout le nettoyant du circuit.

Inhibiteurs agréés: • Rhomar Pro-Tek 922
• Noble Noburst AL inhibiteur

9.2 Remplissage du circuit de chauffage

Pour remplir ou faire le plein de l'installation, il vous faut utiliser la boucle de remplissage selon la procédure suivante :

1 Allumez l'alimentation électrique ;



2 L'affichage indique FILL ;



3 Toutes les fonctions arrêtées (chauffage , ECS  et pompe 



4 Appuyez brièvement sur le bouton 'STEP' : P XX (XX = pression d'eau en PSI) ;

5 Ouvrez la boucle de remplissage (l'indication sur l'affichage augmente);



6 Remplissez lentement entre 16 et 18 PSI (1.1 et 1.3 bar) ;



7 STOP apparaît sur l'affichage ;

8 Fermez la boucle de remplissage ;

9 Purgez l'installation complète, démarrez au point le plus bas ;

10 Vérifiez la pression de l'eau et, si nécessaire, refaites le plein ;

11 Fermez la boucle de remplissage ;



12 Activez les fonctions utilisées (chauffage , ECS  et/ou pompe 

13 Si A XX apparaît sur l'affichage, attendez 17 minutes ;

14 Vérifiez la pression de l'eau et, si nécessaire, faites le plein jusqu'à 16 à 18 PSI ;

15 Fermez la boucle de remplissage ;



16 Appuyez sur le bouton 'STEP' ;

17 Assurez-vous que la boucle de remplissage est fermée.

A XX

18 A la fin du programme de purge automatique (A XX), la chaudière revient au

Good 0 XX

l'affichage Good ou technique.

Vérifiez régulièrement la pression de l'eau et, si nécessaire, remplissez l'installation. La pression normale de fonctionnement de l'installation doit être entre 16 et 18 PSI (1.1 et 1.3 bar) lorsque le système est froid.



REMARQUE

L'évacuation de l'air d'une installation pleine peut prendre un moment. Particulièrement pendant la première semaine, des bruits peuvent indiquer la présence d'air. La purge automatique de la chaudière va dégager l'air, ce qui implique que la pression de l'eau peut diminuer pendant cette période et il sera donc nécessaire de refaire le plein d'eau.

En fonctionnement normal, les messages suivants peuvent apparaître avec le suivi nécessaire :

FILL

La pression de l'eau est trop faible (< 10 PSI / 0.7 bar), l'indication FILL reste visible en continu, la chaudière est mise hors fonctionnement. Le plein de l'installation doit être refait.



La pression de l'eau est trop faible (< 12 PSI / 0.8 bar), l'indication FILL clignote en alternance avec l'indication de la pression d'eau, la chaudière peut fonctionner à 50%. Le plein de l'installation doit être refait.

HIGH

La pression de l'eau est trop élevée (> 42 PSI / 3 bar), si l'indication HIGH reste visible en continu, la chaudière est mise hors fonctionnement. La pression de l'installation doit être diminuée en évacuant de l'eau.

9.3 Production d'eau chaude

Appliquez la pression du tuyau d'eau au production ECS (ouvrez le robinet principal et/ou fermez le robinet du groupe de sécurité).



Purgez le production ECS et l'installation d'eau chaude en ouvrant un robinet d'arrêt d'eau chaude. Laissez le robinet ouvert aussi longtemps que nécessaire jusqu'à ce que l'air disparaisse du production ECS et des tuyaux et qu'uniquement de l'eau coule du robinet d'arrêt.

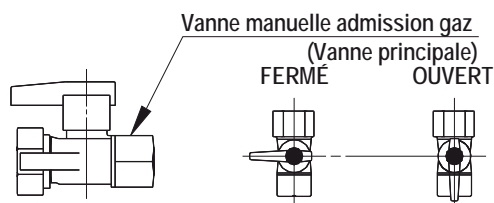
POUR VOTRE SÉCURITÉ LISEZ AVANT DE METTRE EN MARCHÉ

AVERTISSEMENT: Quiconque ne respecte pas à la lettre les instructions dans la présente notice risque de déclencher un incendie ou une explosion entraînant des dommages matériels, des blessures corporelles ou la mort.

- A. Cet appareil ne comporte pas de veilleuse. Il est muni d'un dispositif d'allumage qui allume automatiquement le brûleur. Ne tentez pas d'allumer le brûleur manuellement.
- B. **AVANT DE FAIRE FONCTIONNER**, reniflez tout autour de l'appareil pour déceler une odeur de gaz. Reniflez surtout près du sol, car certains gaz sont plus lourds que l'air et peuvent s'accumuler au niveau du sol.
- QUE FAIRE SI VOUS SENTEZ UNE ODEUR DE GAZ:**
- Ne pas tenter d'allumer d'appareil.
 - Ne touchez à aucun interrupteur; ne pas vous servir des téléphones se trouvant dans le bâtiment.
 - Appelez immédiatement votre fournisseur de gaz depuis un voisin.
Suivez les instructions du Fournisseur.
 - Si vous ne pouvez joindre le fournisseur, appelez le service des incendies.
- C. Ne poussez ou tournez la manette d'admission du gaz qu'à la main ; ne jamais utiliser d'outils. Si la manette reste coincée, ne pas tenter de la réparer ; appelez un professionnel agréé. Le fait de forcer la manette ou de la réparer peut déclencher une explosion ou un incendie.
- D. N'utilisez pas cet appareil si des pièces ont été immergées. Faites immédiatement inspecter l'appareil par un professionnel agréé et faites remplacer chaque pièce du système de commande et toute pièce de commande gaz qui ont été plongées dans l'eau.

INSTRUCTIONS DE MISE EN MARCHÉ

1. **ARRÊTEZ !** Lisez l'information de sûreté au-dessus de cette étiquette.
2. Coupez l'alimentation électrique de l'appareil.
3. Réglez le thermostat ou autre commande de fonctionnement au réglage le plus bas.
4. Cet appareil est muni d'un dispositif d'allumage qui allume automatiquement le brûleur.
Ne tentez pas d'allumer le brûleur manuellement.
5. Fermez la vanne de coupure gaz principale. 
6. Attendez cinq (5) minutes pour laisser échapper tout le gaz. Reniflez tout autour de l'appareil, y compris près du sol, pour déceler une odeur de gaz. Si vous sentez une odeur de gaz, **ARRÊTEZ !** Passez à l'étape B des instructions de sécurité au-dessus de cette étiquette. S'il n'y a pas d'odeur de gaz, passez à l'étape suivante.
7. Ouvrez la vanne de coupure gaz principale. 
8. Réglez le thermostat ou autre commande de fonctionnement au réglage désiré.
9. Mettez l'appareil sous tension.
10. Si l'appareil ne se met pas en marche, suivez les instructions intitulées « Comment couper l'alimentation gaz de l'appareil » et appelez un technicien agréé ou le fournisseur de gaz.



COMMENT COUPER L'ALIMENTATION GAZ DE L'APPAREIL

1. Coupez tout le courant électrique à l'appareil s'il faut effectuer l'entretien.
2. Réglez le thermostat ou autre commande de fonctionnement au réglage le plus bas.
3. Fermez la vanne de coupure gaz principale. 

8U.34.09.01 / 11.12

10 Réglages

Quand la chaudière est installée, le logiciel a déjà été préprogrammé à l'usine. Tous les réglages du logiciel de la commande chaudière sont déjà préprogrammés pour un système de chauffage, avec des radiateurs/convecteurs à une température départ de 176°F. Les réglages sont décrits au chapitre Paramètres à la page suivante.

Dans certains cas, les paramètres doivent être modifiés, notamment en cas de :

- Température départ plus basse
- Altitude élevée/grande longueur d'évacuation
- Température départ minimum



ATTENTION

Le calcul évacuation / altitude doit toujours être effectué pendant la mise en service de la chaudière.

Lisez le chapitre des Paramètres pour régler la chaudière suivant son installation. Contactez Rinnai en cas de doute.



REMARQUE

Seul du professionnels agréés, formé pour l'entretien de ces chaudières, est autorisé à effectuer des modifications dans la commande pour calibrer la chaudière à l'installation.

10.1 Modification des réglages

STEP 1 Appuyez sur la touche Mode pendant 5 secondes.

L'affichage indique CODE suivi d'un nombre arbitraire ;

STEP 2 Appuyez au moyen des touches + ou – jusqu'à ce que le code C123 s'affiche ;

STEP 3 Appuyez sur le bouton STORE pour confirmer le code (le code clignote 1 x).

Vous avez maintenant accès au niveau de l'installateur. Il existe 4 chapitres:

- **PRM** Paramètres
- **INFO** Chapitre Informations (aucun réglage possible)
- **SERV** Chapitre Service
- **ERR** Chapitre Erreurs (aucun réglage possible)

Le contenu des chapitres est décrit aux pages suivantes.

STEP 4 Appuyez brièvement sur le bouton MODE pour sélectionner un des 4 chapitres;

STEP 5 Appuyez brièvement sur le bouton STEP pour sélectionner un Paramètre
(paramètre visible sur la gauche, valeur sur la droite) ;

STEP 6 Modifiez cette valeur si nécessaire/possible, au moyen de la touche + ou -

STEP 7 Appuyez brièvement sur le bouton STORE pour confirmer la modification.

Lorsqu'il vous faut changer davantage de valeurs, répétez à partir de l'étape 5.

STEP 8 Appuyez une fois ou plus sur le bouton MODE, jusqu'à ce que Good s'affiche :

Après quelques secondes, le texte StBY est remplacé par l'affichage technique ou l'état Good (selon la position à laquelle le code d'accès a été entré)

Lorsque vous voulez revenir d'une position arbitraire au résultat original, appuyez une ou plusieurs fois sur le bouton MODE, jusqu'à ce que StBY s'affiche.



REMARQUE

Si aucune touche n'est utilisée dans les 20 minutes, l'affichage revient automatiquement à son affichage d'origine (état Good ou affichage technique)

Mode Paramètre			
PARA	USINE	DESCRIPTION	PLAGE
1	176°F	température maximale d'alimentation CC	68 - 176°F
2*	00	type d'installation de CC :	00 - 04
		Pas de pré-sélection.	00
		radiateurs, chauffage par air, ou convecteurs :	
		T max.départ 176°F ; courbe de chauffe du facteur K 2,3; gradient 10°F/min; différence de distr. 10°F	
			01 NE PAS UTILISER
		radiateurs à grandes surfaces ou chauffage par le sol en chauffage d'appoint :	02
		T max.d'alimentation 158°F ; courbe de chauffe du facteur K 1,8; gradient 10°F/min; différence de distr. 10°F	
		chauffage par le sol avec radiateurs en chauffage d'appoint :	03
		T max.d'alimentation 140°F ; courbe de chauffe du facteur K 1,5; gradient 8°F/min; différence de distr. 8°F	
		chauffage par le sol entier :	04
		T max.d'alimentation 122°F ; courbe de chauffe du facteur K 1,0; gradient 6°F/min; différence de distr. 6°F	
3	max.	puissance maximale CC en kW (.. x 3415 = .. BTU/h)	min-max
4*	00	Régulation principale avec thermostat marche/arrêt :	
		Thermostat marche/arrêt à 100 %	00
		circulation constante de l'eau 22 et 23 contact fermé fonctionnement jour contact ouvert fonctionnement nuit.	01
5*	2.3	Facteur K de courbe de de chauffe (voir également le graphique de courbe de chauffe)	0.2 - 3.5
6*	1.4	exposant de courbe de chauffe (voir également le graphique de courbe de chauffe)	1.1 - 1.4
7*	14°F	courbe de chauffe zone de climat de (voir également le graphique de courbe de chauffe)	-4 - 32°F
10*	0°F	réglage fin courbe de chauffe température jour	-8 to 10°F
11*	0°F	réglage fin courbe de chauffe température nuit	-8 to 10°F
14	10°F/min.	Vitesse gradient °F/min.	0 - 28°F/min.
15*	00	Accélération après diminution de nuit* :	
		non	00
		oui	01
23	26°F	Température de gel	-4 to 50°F
27	32°F	Réglage minimum de T CC	32 - 158°F
36	10	Type de vanne trois voies boiler	
		VC 2010 / VC 8010	x0
		Fonction pré-chauffer d'échangeur d'ECS Marche	1x
		Fonction pré-chauffer d'échangeur d'ECS Arrêt	2x
43	max.	puissance maximale ECS en kW (.. x 3415 = .. BTU/h)	min-max
49	100%	Capacité maximum de la pompe pour chauffage	40-100 %
73	0	Altitude et ventilation CFT. Voir chapitre 6.7.7	0 - 100
89	00	Adresse	
		Aucune fonction	-01
		Thermostat de Bus	00
90	01	Lecture affichage	
		°C et Bar	00
		°F et PSI	01

Mode Info			
INFO	USINE	DESCRIPTION	PLAGE
1	°F	Température de l'eau départ T1	
4	°F	température de l'eau de retour T2	
5	°F	température de ECS T3	
7	°F	Température extérieure T4	
8	°F	Température des fumées T5 (sonde en option)	
16	%	puissance réelle en %	
17	kW	puissance réelle en kW (.. x 3415 = .. BTU/h)	
18	kW	charge réelle en kW (.. x 3415 = .. BTU/h)	
20		indication de communication bus	
21	GJ	consommation totale en GJ (.. x 33 = .. m3)	
22	GJ	consommation CC en GJ (.. x 33 = .. m3)	
23	GJ	consommation ECS en GJ (.. x 33 = .. m3)	
24	h	Nombre total d'heures de fonctionnement du brûleur	
25	h	Nombre d'heures de fonctionnement du brûleur CC	
26	h	nombre d'heures de fonctionnement du brûleur ECS	
32	h	nombre total du compteur d'heures	
37	h	nombre d'heures de fonctionnement de la pompe CC et ECS	
46	h	dans combien d'heures un entretien est-il nécessaire	

Mode Service			
SERV	VALEUR	DESCRIPTION	PLAGE
1	OFF	Chaudière en fonctionnement avec fonction brûleur allumée	OFF - max.
2	OFF	ventilateur réglable et brûleur arrêté	OFF - max.
3	OFF	pompe réglable avec brûleur allumé	OFF - max.
4	OFF	Position de salle d'exposition ON = active et OFF = non active	ON - OFF

Mode Erreur		
ERRO	VALEUR	DESCRIPTION
Err.L - Err.5		Dernière erreur enregistrée jusqu'aux 5 erreurs précédentes
1		code d'erreur
2		Etat du fonctionnement de la chaudière
3	°F	Température de l'eau départ T1
4	°F	température de l'eau de retour T2
5	kW	charge (.. x 3415 = .. BTU/h)
6	%	capacité de la pompe

Chapitres Paramètres, Infos, Service et Erreurs

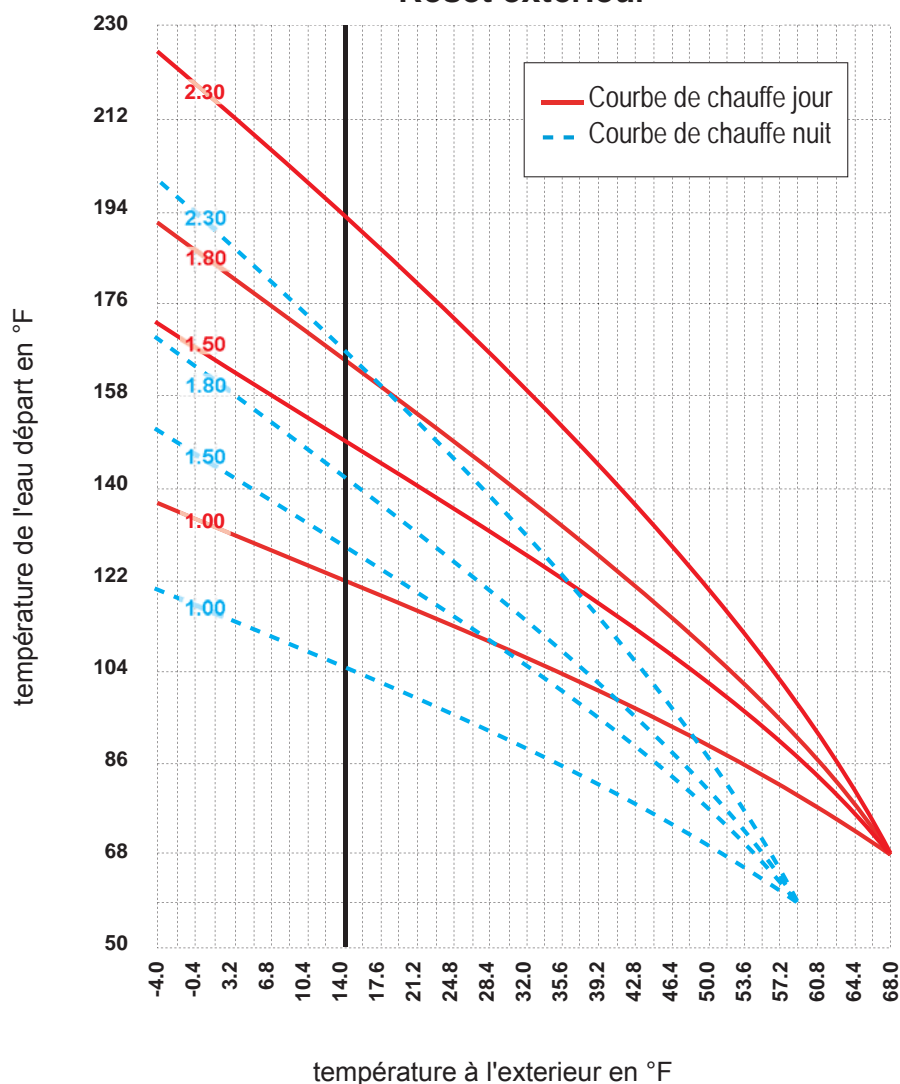
Tableau 12



REMARQUE

* La plupart des données de ce tableau peuvent être demandées par le RS100. La plupart des réglages indiqués dans ce tableau ne sont pas nécessaires lorsqu'ils sont combinés au thermostat RS100 de Rinnai ; ils seront pris en charge par le RS100 lui-même et ne devront pas être effectués. Pour obtenir d'autres informations concernant le thermostat RS100, consultez le manuel d'installation du RS100 de Rinnai.

Reset extérieur

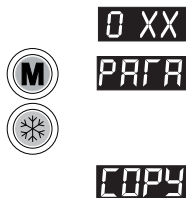


Réglage de courbe de chauffe avec Paramètre Step 6 et 7

graphique 2

10.2 Activation des réglages d'usine (fonction touche vert)




Pour réactiver les réglages d'usine, veuillez suivre la procédure suivante (Note: tous les réglages modifiés seront mis à leurs réglages d'usine originaux qui sont accessibles dans le niveau de service actuel, de la chaudière est en soit utilisateur ou 123) :



- Sélectionnez si nécessaire, l'affichage technique ;
 - Sélectionnez à l'aide de la touche MODE Chapitre PARA ;
 - Appuyez sur le bouton STORE.
- Le mot "Copy" s'affiche et les réglages d'usine sont à nouveau actifs.

11 Isoler de la chaudière



Certaines situations nécessitent d'arrêter complètement la chaudière. En éteignant les trois touches à DEL de chauffage central, d'eau chaude et du programme de pompe (,  ou ), la chaudière est éteinte. Ne coupez pas l'alimentation électrique de la chaudière, ce qui permet que la pompe de circulation et la vanne trois voies sont activées une fois par 24 heures, afin d'éviter que ses pièces ne se bloquent.



ATTENTION

En cas de danger de gel pendant qu'une chaudière est isolée, il est conseillé de vidanger la chaudière et/ou l'installation.

12 Mise en service

REMARQUE

Le travail sur la chaudière doit être effectué par un professionnel agréé utilisant correctement des instruments calibrés, avec une certification de test valide. Ces instructions d'installation sont destinées aux professionnels agréés qui ont une connaissance suffisante et sont agréés pour travailler sur les systèmes de chauffage et de gaz.

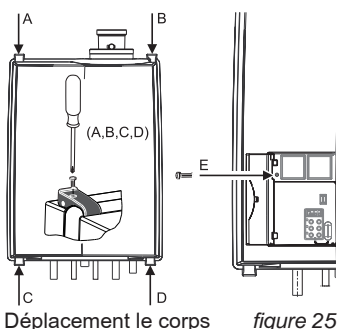
Avant d'allumer la chaudière, assurez-vous que cette dernière et le système sont bien purgés et vides d'air. Purguez la conduite de gaz entre le compteur gaz et la chaudière.

AVERTISSEMENT

Le fait de ne pas effectuer une mise en service appropriée de la chaudière telle que décrite à la section 12 peut provoquer un fonctionnement peu sûr du brûleur, une vie réduite des composants et un fonctionnement dangereux de la chaudière.

REMARQUE

La chaudière et sa vanne d'arrêt individuelle doivent être débranchées du circuit des conduites de gaz pendant tous les tests de pression de cette installation, à des pressions d'essai excédant 1/2 PSI (3,5 kPa).



Pour mettre la chaudière en service, l'habillage doit être retiré.

- Retiré les 4 vis A,B,C and D de la verrouillage rapide d'habillage (figure 25);
- Retiré les 4 vis E derrière la porte avant (figure 25);
- Retiré l'habillage vers l'avant.

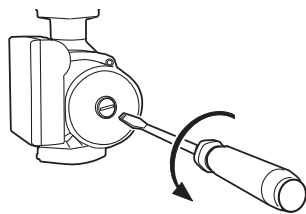
Les réglages de la chaudière, comme la pression du brûleur et le réglage de la quantité d'air, ne sont pas nécessaires dans la plupart des cas, en raison du fait que la chaudière fonctionne avec une commande de zéro de pression. Ceci signifie que la quantité correcte de gaz est contrôlée par l'opération d'aspiration du ventilateur. Le réglage fin de la pression zéro effectué en usine l'est une fois pour toutes, ce qui signifie que le réglage de cette valeur n'est pas nécessaire. Uniquement en cas de remplacement de la vanne gaz, du venturi et/ou du ventilateur, le réglage de la pression zéro doit être vérifié et, si nécessaire, réglé à la bonne valeur.

AVERTISSEMENT

Le venturi doit toujours être contrôlé et ajusté s'il est hors échelle, voir section 12.3 sur le réglage de l'O₂.

DANGER

Vérifiez toujours l'installation de toutes les pièces par lesquelles circule le gaz (à l'aide du test à bulles et d'un pulvérisateur de recherche de fuites).



mise en service de la pompe
figure 26

La procédure de mise en service de la pompe doit être suivie avant que la chaudière soit mise en route la première fois :

1. Retirez la vis d'aération de la pompe
2. Utilisez un petit tournevis plat pour assurer la rotation libre de la turbine.
3. Quand la turbine tourne librement et que l'eau sort par le port d'aération, la pompe est prête à fonctionner.
4. Remettez la vis d'aération

Pendant la mise en service de la chaudière, la carte Rinnai d'installation, de mise en service et d'entretien doit être remplie.

12.1 Recherche des fuites de gaz

Avant de démarrer la chaudière, vous devez vérifier l'étanchéité extérieure de la vanne d'alimentation gaz et le confirmer dans le rapport de démarrage.



AVERTISSEMENT

- Avant d'effectuer le test de fuites sur la chaudière, assurez-vous que toutes les pièces de la chaudière, comme l'électronique et le câblage soient correctement couverts et protégés contre l'agent de tests de fuite.
- Ne pulvérisez pas d'agent de recherche de fuites sur les câbles, les prises, les conduites de connexion électriques ou les circuits imprimés électroniques. Ne le laissez pas non plus leur couler dessus.

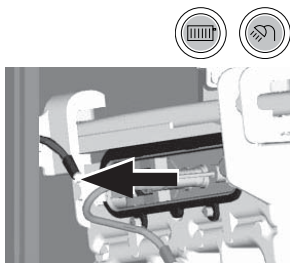


DANGER

Des fuites peuvent affecter les tuyaux et les raccordements vissés pendant la mise en service et les opérations de maintenance.

- Effectuez une recherche de fuites correcte.
- N'utilisez que des agents de recherche de fuites agréés.
- Débranchez le circuit de chauffage de l'alimentation électrique.
- Vérifiez l'étanchéité extérieure des nouvelles sections de conduites jusqu'à et y compris le point d'étanchéité direct sur le raccord du brûleur gaz. La pression maximale de test autorisée à l'entrée du raccord du brûleur gaz est de 14 pouces CE (35 mbar).

12.2 Test du dispositif d'arrêt de sécurité de l'allumage



CODE

C123



1 OFF



E 02



- Eteignez le système à l'aide du touche de chauffage central et du touche d'ECS
- Débranchez la fiche de la prise du câble d'ionisation.

- Allumez le système à l'aide du touche de chauffage central et du touche d'ECS.
- Appuyez sur la touche Mode pendant 5 secondes.
- L'affichage indique CODE suivi d'un nombre arbitraire ;

- Sélectionnez le code C123 à l'aide de la touche ou ;
 - Appuyez sur la touche STORE pour confirmer le code (le code clignote 1 x) ;
 - Appuyez sur la touche MODE jusqu'à ce que SERV s'affiche ;
 - Appuyez une fois sur la touche STEP jusqu'à ce que 1 s'affiche ;
- 1 et OFF s'afficheront alternativement.*

- Appuyez une fois sur la touche ;

Vérifiez si la chaudière effectue un seul essai de démarrage et quatre essais de redémarrage. Après le dernier essai de démarrage, la chaudière se verrouille. Le robinet du gaz est fermé.

Le code E02 clignote sur l'affichage.

- Branchez la fiche dans la prise du câble d'ionisation.
- Appuyez sur la touche RESET.
- Vérifiez si la chaudière démarre.

Ne touchez pas l'intérieur du câble d'allumage lorsqu'il est débranché pendant le démarrage de la chaudière.



ATTENTION

12.3 Vérification de l'O₂

 REMARQUE

Le réglage du pourcentage d'O₂ est nécessaire pour vérifié lors de la mise en service, de la maintenance et des pannes et ajusté si nécessaire.

 AVERTISSEMENT

Le pourcentage d'O₂ est nécessaire pour vérifié et ajusté après une conversion du gaz naturel au gaz propane ou du gaz propane au gaz naturel. Ce processus doit être effectué avec un analyseur de combustion calibré qui a été réglé sur le bon type de gaz.

Cette vérification se fait au moyen de la procédure suivante :

- Retirez le couvercle noir de la vanne gaz, en dévissant la vis scellée.
- Mettez la chaudière en marche et veillez à ce qu'elle puisse fournir sa chaleur ;



Conseil : S'il n'y a pas de demande de la chaleur du CC, ouvrez complètement le robinet d'eau chaude et mesurez l'O₂.



- Appuyez sur la touche MODE pendant 5 secondes.



- L'affichage indique CODE, suivi d'un nombre arbitraire ;



- Sélectionnez le code C123 à l'aide de la touches + ou - ;



- Appuyez sur la touche STORE pour confirmer le code (le code clignote 1 x) ;



- Appuyez sur la touche MODE jusqu'à ce que SERV s'affiche ;



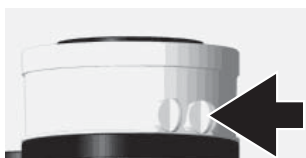


- Appuyez une fois sur la touche STEP jusqu'à ce que 1 s'affiche ;
1 et OFF s'afficheront alternativement.

- Calibrez l'oxymètre ;

- Placez la sonde d'O₂ dans le point de contrôle (voir fig. 31);

- Appuyez sur la touche + jusqu'à ce que la valeur maximale (en kW) soit atteinte;
La chaudière va brûler à pleine charge (valeur affichée en kW)
valeur en BTU/hr = x3415



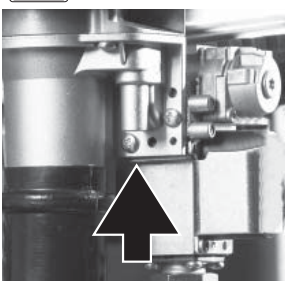
point de contrôle O₂ figure 27

 REMARQUE

Lors du réglage de la charge de max. à min., il est conseillé de s'arrêter à charge moyenne afin de permettre la chaudière de se stabiliser. Une réglage rapide de max. à min. pourrait forcer la chaudière dans un état d'erreur.

- Vérifiez le pourcentage d'O₂ :
Gaz Naturel: pleine charge entre 4.4% et 4.7%
charge min.: réglage de pleine charge +0.2% ou plus.
Gaz Propane: plein charge entre 4.8% et 5.1%
charge min.: réglage de pleine charge +0.2% ou plus.

Exemple : pleine charge réglée sur 4,6% d'O₂ (gaz naturel), alors le réglage de la charge minimale doit être 4,8% ou plus.



vis de réglage O₂ figure 28

 REMARQUE

Choisissez la bonne valeur d'O₂ selon le type de gaz (Gaz naturel ou Gaz propane). Un mauvais réglage peut provoquer des dégâts matériels, des blessures corporelles ou la mort.

- Laissez l'oxymètre effectuer sa procédure de mesure.
- Ajustez si nécessaire la vis de réglage pour corriger la valeur de l'O₂ (voir fig. 28). Attendez que la chaudière se stabilise avant de lire la nouvelle valeur.

Fin de la procédure de mesure de d'O₂ :

- Appuyez sur le bouton – jusqu'à ce que **OFF** s'affiche (maintenez le bouton enfoncée). La procédure est alors terminée.
- Remettez le couvercle noir sur la vanne gaz en place et fixez-le à l'aide de la vis.

Check the appropriate model and input the recommended O₂ level indicated on the Installation Setting procedure /
Vérifier le modèle approprié et avoir entré le recommandé O₂ niveau indiqué sur la Procédure de Cadre de Installation

Model	E75C	E110C	Q85S	Q130S	Q175S	Q205S	Q175C
Altitude	2001 - 4500 feet (610 - 1585 m)						
O ₂							

This unit has been converted as per CGA 2.17-M91 Standard (only valid in Canada). Cette unité a été convertie selon la norme de CGA 2.17-M91 - seulement valide au Canada.
Converted by/Converti par: _____
Date: _____ Gas Type/Type de Gaz: _____

High Altitude Label (exemple)

Pour les installations en haute altitude, altitude entre 2000 pieds et 4500 pieds (600 m et 1350 m), dans la zone Canadienne, il est nécessaire de remplir le label haute altitude.

Placez le Label haute altitude rempli sur le châssis supportant la commande. du côté gauche de la plaque signalétique.

12.4 Mesure du courant d'ionisation



- Eteignez le système à l'aide du touche de chauffage central et du touche d'ECS



- Débranchez le raccordement de la fiche et la prise sur la sonde et branchez l'appareil de mesure en série. Voir figure 29.

Sélectionnez la plage de courant direct en μ A sur l'appareil de mesure. L'appareil de mesure doit avoir une résolution d'au moins 1 μ A.



- Allumez le système à l'aide du touche de chauffage central et du touche d'ECS

CODE

- Appuyez sur la touche MODE pendant 5 secondes.

C123

- L'affichage indique CODE, suivi d'un nombre arbitraire;



- Sélectionnez le code C123 à l'aide des touches + ou -;



- Appuyez sur la touche STORE pour confirmer le code (le code clignote 1 x) ;

S 1 OFF

- Appuyez sur la touche MODE jusqu'à ce que SERV s'affiche ;



- Appuyez une fois sur la touche STEP jusqu'à ce que 1 s'affiche ; 1 et OFF s'afficheront alternativement.



- Appuyez sur la touche + jusqu'à ce que la valeur maximale (en kW) soit atteinte; La chaudière va brûler à pleine charge (valeur affichée en kW) valeur en BTU/hr = x3415

- Mesurez l'ionisation. Lorsque la chaudière est à pleine charge, le courant d'ionisation doit être > 4 μ A ; inscrivez cette valeur dans le journal de travail.



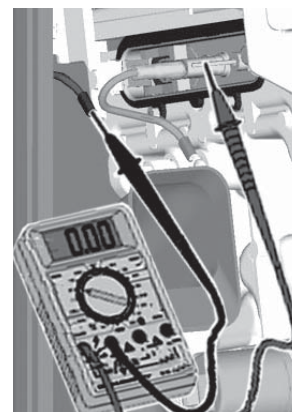
- Appuyez sur la touche – jusqu'à ce que OFF s'affiche (maintenez la touche enfoncée).



- Eteignez le système à l'aide du touche de chauffage central et du touche d'ECS

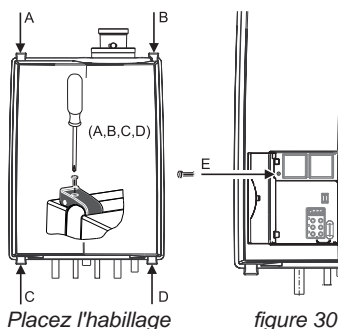
- Débranchez l'appareil de mesure et remettez le raccordement de la fiche et la prise sur la sonde.

- Allumez le système à l'aide du touche de chauffage central et du touche d'ECS.



Mesure d'ionisation figure 29

12.5 Installation de l'habillage



- Placez l'habillage sur la chaudière et fermez les 4 verrouillages rapides;
- Verrouillez les 4 vis A,B,C and D dans les verrouillages rapides (figure 30);
- Verrouillez le vis E située derrière la porte (figure 30);

13 Maintenance



REMARQUE

La maintenance ou les modifications de la chaudière ne peuvent être effectuées que par un professionnel agréé.

Pour vous protéger contre le mal, avant d'effectuer l'entretien:

- Débranchez l'alimentation électrique en éteignant la chaudière avec l'interrupteur ou en éteignant l'électricité au niveau du disjoncteur.
- Fermez le gaz avec la vanne gaz, généralement situé dessous de la chaudière.
- Fermez l'alimentation de l'eau froid. Cela peut être fait à la vanne de service généralement située dessous de la chaudière ou en éteignant l'approvisionnement de l'eau de bâtiment.

13.1 Examen périodique des systèmes d'évacuation fumées et de la chaudière

L'inspection de la chaudière et du système d'évacuation fumées doit être effectuée tous les 2 ans ou toutes les 4 000 heures et une maintenance complète tous les 4 ans ou toutes les 8 000 heures de fonctionnement, selon ce qui arrive en premier. A ce moment-là, les conditions d'emplacement de la chaudière doivent être prises en compte. Il est alors possible de déterminer s'il faut ou non suivre ce conseil.



REMARQUE

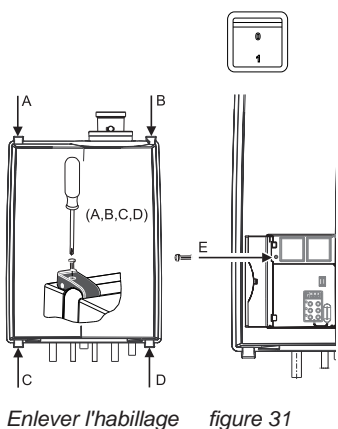
Veillez contacter Rinnai pour d'autres directives sur la fréquence et les exigences d'entretien. Les détails de contact se trouvent au dos de ce manuel.

13.2 Inspection

Préparation de la chaudière à l'inspection.

Pour effectuer les opérations d'inspection et de maintenance, veuillez suivre la procédure suivante :

- Coupez l'alimentation électrique ;
- Coupez le gaz ;
- Retirez les 4 vis A,B,C and D de la verrouillage rapide de corps (figure 31);
- Retirez la vis E derrière la porte, de la façade de l'habillage (figure 31);
- Retirez l'habillage vers l'avant.
- Isolez la chaudière du système à l'aide des vannes d'isolement du kit hydraulique.



13.2.1 Recherche visuelle des signes généraux de corrosion

- Recherchez des signes de corrosion sur toutes les conduites de gaz et d'eau.
- Remplacez toutes les conduites corrodées.

13.2.2 Mesure du courant d'ionisation

Voir la sous-section 12.5 « Mesure du courant d'ionisation ».

13.2.3 Mesure de la pression du gaz d'entrée

Voir la sous-section 6.4.1 et .2 « Raccordement du gaz au gaz naturel » et « Raccordement du gaz au gaz propane ».

13.2.4 Recherche des fuites de gaz

Voir la sous-section 12.1 « Recherche des fuites de gaz ».

13.2.5 Réalisation d'un test de pression sur le système de chauffage

Voir le chapitre 9.2 « Remplissage du système de chauffage ».

13.2.6 Vérification des systèmes d'évacuation fumées

Vérifiez les points suivants :

- Le système de combustion air/conduit prescrit est-il utilisé ?
- Les instructions pour configurer le système d'évacuation telles que spécifiées dans les instructions d'installation du système de gaz de combustion ont-elles été observées ?
- Vérifiez si l'entrée d'air et/ou le filtre à air et l'évacuation des gaz de combustion ne sont pas obstruées, s'il n'y a pas de pollution ou s'ils ne sont pas endommagés.

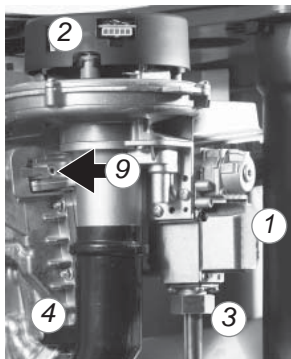


REMARQUE

Quand un filtre à air est utilisé, le filtre à air doit être remplacé chaque année sur les chaudières fonctionnant dans des circonstances normales. Les conditions (par exemple la qualité de l'air d'entrée) dans lesquelles la chaudière est installée doivent être prises en compte. Cela montrera si la fréquence de remplacement devrait être réduite ou augmentée. En cas de doute, contactez Rinnai.

13.3 Opérations de maintenance

REMARQUE



ventilateur et vanne de gaz
figure 32

REMARQUE

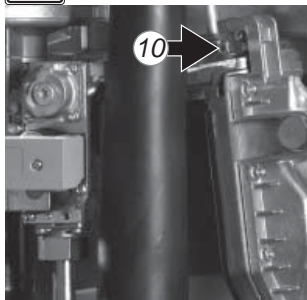


figure 33

Le ventilateur et la cassette du brûleur (figure 38 à 40) (maintenance tous les 4 ans)

- Retirez la fiche de raccordement électrique de la vanne gaz (1) et du moteur du ventilateur (2) ;
- Desserrez l'écrou (3) de la conduite gaz sous la vanne gaz ;
- **Remplacez le joint par un neuf ;**
- Desserrez la vis cruciforme avant (4) du silencieux en plastique noir ;
- Tournez ensuite les deux tiges de fixation (9 et 10) d'¼ de tour et retirez-les en les tirant vers l'avant.

Notez le sens de rotation correct (indicateur rouge, fig. 40) ;

- Soulevez légèrement le ventilateur et retirez-le vers l'avant de l'échangeur de chaleur ;
- Retirez la cassette brûleur du ventilateur ;
- Vérifiez si la cassette brûleur ne montre pas de signes d'usure, de pollution et de fissures. Nettoyez la cassette brûleur à l'aide d'une brosse souple et d'un aspirateur.

En cas de brûleurs fissurés, remplacez la cassette complète du brûleur ;

- **Remplacez les joints entre le brûleur et le ventilateur ainsi que le joint entre le ventilateur et l'échangeur de chaleur ;**
- Vérifiez si le venturi et la plaque de répartition gaz/air ne sont pas pollués et nettoyez ces pièces si nécessaire à l'aide d'une brosse souple et d'un aspirateur. Si la boîte à air contient beaucoup de saletés, il est probable que le ventilateur lui-même soit également sale. Pour le nettoyer, le ventilateur doit être retiré de la hotte et du venturi. Nettoyez le ventilateur à l'aide d'une brosse souple et d'un aspirateur. Remplacez le joint et vérifiez si que tous les joints des pièces du ventilateur sont correctement montés.

Echangeur de chaleur (maintenance tous les 4 ans)

- Vérifiez si l'échangeur de chaleur n'est pas contaminé. Nettoyez-le si nécessaire à l'aide d'une brosse souple et d'un aspirateur. Evitez que des débris tombe dans l'échangeur de chaleur.

REMARQUE

Le rinçage de l'échangeur de chaleur de haut en bas n'est pas autorisé.

Le remontage des composants s'effectue dans l'ordre inverse.

Assurez-vous que le remontage des tiges de fixation soit effectué dans la bonne position. Elles doivent être tournées à la verticale.

Si la chaudière est activée avec les tiges de fixation dans la mauvaise position, elle peut entraîner des dégâts immobiliers, des blessures corporelles ou la mort.

Electrode d'allumage (maintenance tous les 4 ans)

Cette vérification se fait en mesurant le courant d'ionisation. Le courant d'ionisation minimum doit être supérieur à 4 µA à pleine charge.

Si le regard est endommagé, l'électrode complète doit être remplacée.

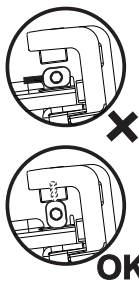
Remplacez l'ensemble d'allumage tous les 4 ans, selon ce qui arrive en premier.

Le remplacement se fait comme suit :

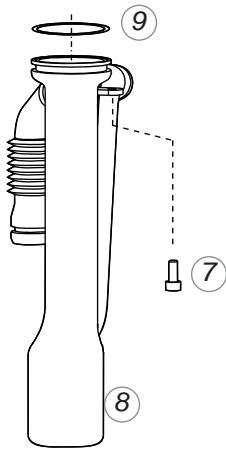
- Retirez les branchements électriques de l'électrode ;
- Appuyez sur les clips des deux côtés de l'électrode et retirez l'électrode complète ;
- Retirez et remplacez le joint ;

Le remontage des composants s'effectue dans l'ordre inverse.

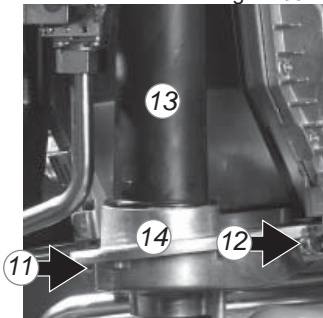
DANGER



Tiges de fixation figure 34



Collecteur de condensats
figure 35



Condensate tray figure 36



Tiges de fixation figure 37



DANGER



DANGER



AVERTISSEMENT



AVERTISSEMENT

Collecteur et bac condensats (figure 35 à 37) (maintenance tous les 2 et 4 ans)

Etape 1 : Collecteur de condensats

- Retirez le vis (7);
- Retirez le collecteur de condensats (8) en bas, sortez le bac condensats (14). Vérifiez l'absence d'impuretés. S'il n'existe pas beaucoup d'impuretés, il n'est pas nécessaire de nettoyer le bac à condensats (passez à l'Etape 3). S'il existe beaucoup d'impuretés dans la tasse, il est nécessaire de retirer et nettoyer le bac à condensats, conformément à l'Etape 2 ;
- Vérifiez le joint torique(9) de collecteur et remplacez-les si nécessaire ;
- Nettoyez ces pièces en les rinçant à l'eau propre ;
- Graissez à nouveau les joints toriques à la graisse pour joints toriques sans acide pour faciliter le raccordement;
- Si une fuite apparaît sur le collecteur (8) le collecteur entier doit être remplacé par # 809000100;

Etape 2 : Bac à condensats

- Retirez la fiche de la sonde fumées si elle est présente ;
- Tournez les deux tiges de fixation courtes (11 et 12) d'¼ de tour et retirez-les en les tirant vers l'avant. Notez le sens de rotation correct (indicateur rouge, fig. 43);
- Soulevez le conduit d'évacuation (13) du bac à condensats (14) ;
- Appuyez avec précaution sur le bac à condensats (14) vers le bas et retirez-le en le tirant vers l'avant ;
- Remplacez le joint entre le bac à condensats et l'échangeur de chaleur par un joint neuf ;
- Nettoyez le bac à condensats à l'eau et à l'aide d'une brosse dure ;
- Vérifiez l'absence de fuites sur le bac à condensats .

Etape 3: Le remontage s'effectue dans l'ordre inverse.

Vérifiez si tous les joints sont complètement étanches.

Assurez-vous que le remontage des tiges de fixation soit effectué dans la bonne position. Elles doivent être tournées à la verticale.

Si la chaudière est activée avec les tiges de fixation dans la mauvaise position, ceci peut entraîner des dégâts immobiliers, des blessures corporelles ou la mort.

Mettez la chaudière en marche et vérifiez l'O₂ (voir chapitre 12.4).

Si le remplacement des joints et du brûleur mentionné dans ce chapitre n'est pas effectué dans l'intervalle d'entretien prescrit par Rinnai, la chaudière peut être endommagée et provoquer des dégâts immobiliers, des blessures corporelles ou la mort.

N'utiliser que des pièces de rechange d'origine fournies par Rinnai. Si pièces non approuvées sont utilisées, la chaudière peut être endommagée et peut provoquer des dégâts immobiliers, des blessures corporelles ou la mort. L'utilisation de pièces d'une autre marque que Rinnai annule la garantie limitée.

Ne pas utiliser des matériaux de substitution. Utilisez seulement les pièces certifiées avec l'appareil.

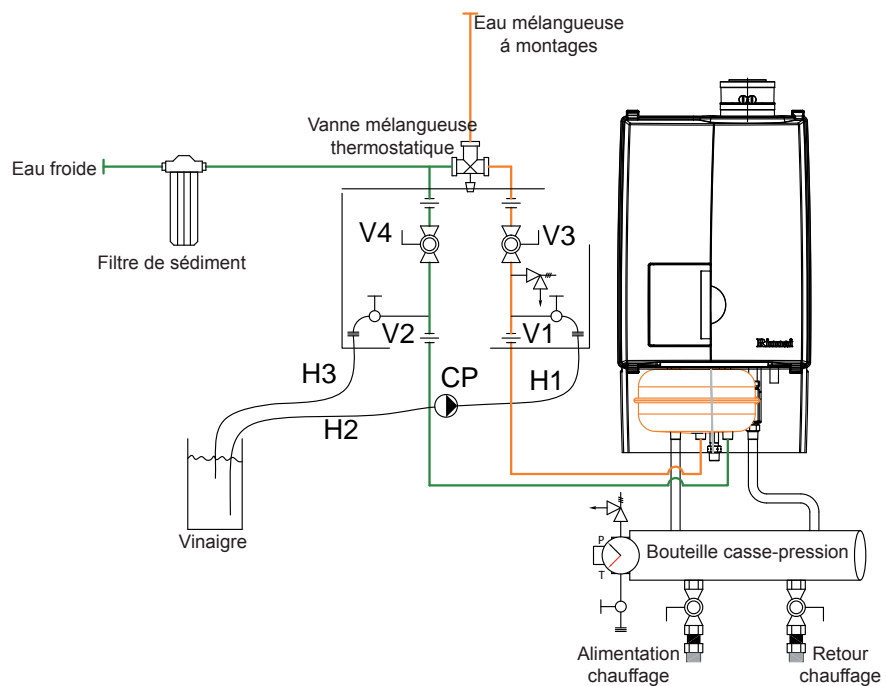
Nettoyage de l'échangeur de chaleur à plaques brasées

(toute opération de maintenance 2 ans ou au besoin basée sur la qualité de l'eau)

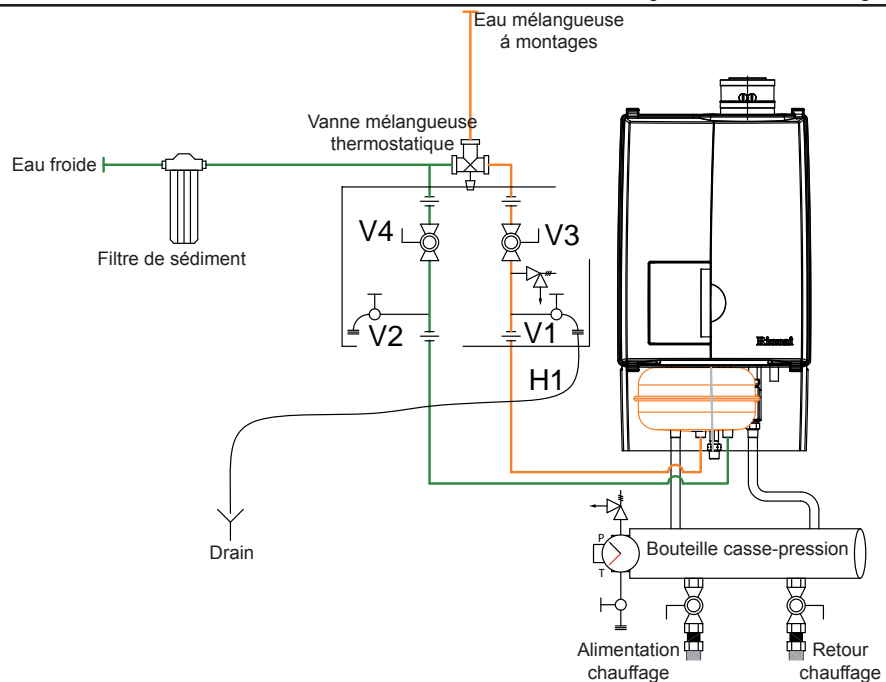
L'échangeur à plaques brasées doit être nettoyé à l'intervalle de service tous les 2 ans. Défaut de rincer l'échangeur à plaques brasées va lui causer des dommages. Suivez la procédure ci-dessous pour le nettoyage de l'échangeur à plaques brasées.

1. Désactivez la fonction eau chaude sanitaire sur la chaudière.
2. Fermer les vannes d'arrêt à la fois sur l'eau chaude et conduites d'eau froide (V3 et V4).
3. Raccordez le tuyau de sortie de la pompe (H1) à la ligne d'eau chaude au robinet de service (V1).
4. Connectez le tuyau de vidange (H3) à la valve de service (V2).
5. Verser environ 4 gallons de vierge, de qualité alimentaire, du vinaigre blanc ou d'acide citrique dans le seau.
6. Placez le tuyau de vidange (H3) et le tuyau (H2) à la pompe (CP) d'entrée dans la solution de nettoyage.
7. Ouvrir les deux vannes de service (V1 et V2) sur les lignes d'eau chaude et eau froide.
8. Faire fonctionner la pompe (CP) et de permettre à la solution de nettoyage pour faire circuler à travers l'échangeur à plaques brasées pendant au moins 45 minutes.
9. Arrêter la pompe (CP).
10. Rincer la solution de nettoyage de l'échangeur à plaques brasées comme suit:
 - a. Enlevez l'extrémité libre du tuyau de vidange (H3) du seau
 - b. Fermer la vanne de service, (V2), et robinet ouvert, (V4). Ne pas robinet ouvert, (V3).
 - c. Débranchez les H1 et H3 de la fonction vannes

Rincage



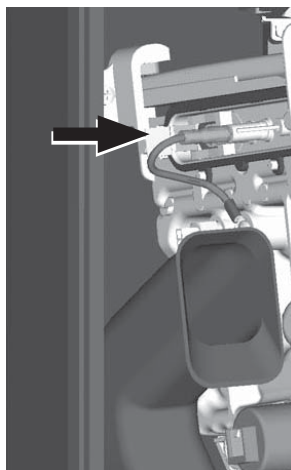
Drainage



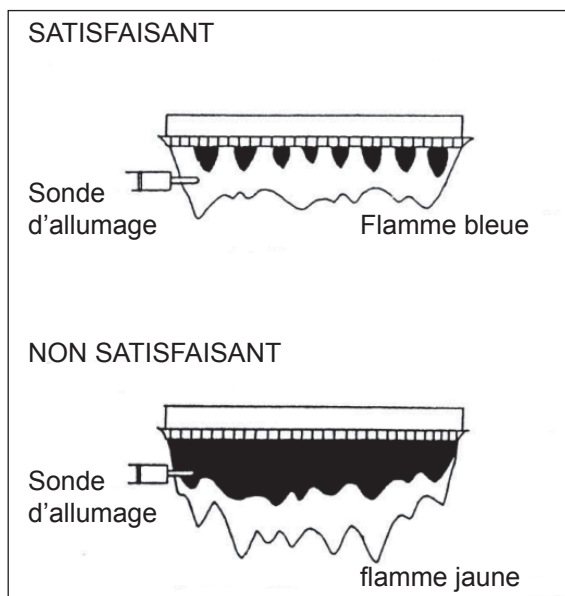
- d. H3 Connectez-vous à V1 et placez le bout du tuyau dans un drain
 - e. Laissez l'eau de s'écouler à travers l'échangeur à plaques brasées pendant 5 min.
 - f. Fermer la vanne de service, (V1), et robinet ouvert, (V3).
11. Débrancher tous les tuyaux..

Contrôle visuel de la flamme (maintenance tous les 2 et 4 ans)

La flamme du brûleur doit couvrir uniformément la surface entière lorsqu'il fonctionne correctement. La flamme doit être claire, bleue et stable.

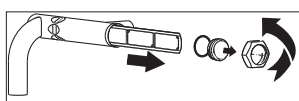


Regard figure 39



Vérifiez la flamme par le regard de la sonde d'allumage (fig. 36).

La flamme doit ressembler au modèle indiqué dans les figures ci-contre.



Water filter figure 40



Autres vérifications :

- Inspectez la soupape de sûreté
- Nettoyez le filtre à eau dans la conduite retour
- Vérifiez le pH de l'eau ou du mélange glycol/eau.

La combustion doit être vérifiée et réglée si nécessaire à la fois les 2 ans/4000 heures et 4 ans/8000 heures d'intervalles de service avec un analyseur de combustion qui fonctionne correctement.

Vérifiez le bon fonctionnement après l'entretien. Toujours faire un reset du compteur des intervalles de service après l'intervalle d'entretien complet (tous les 4 ans ou 8000 heures de fonctionnement).

13.3.1 Reset du compteur des intervalles d'entretien



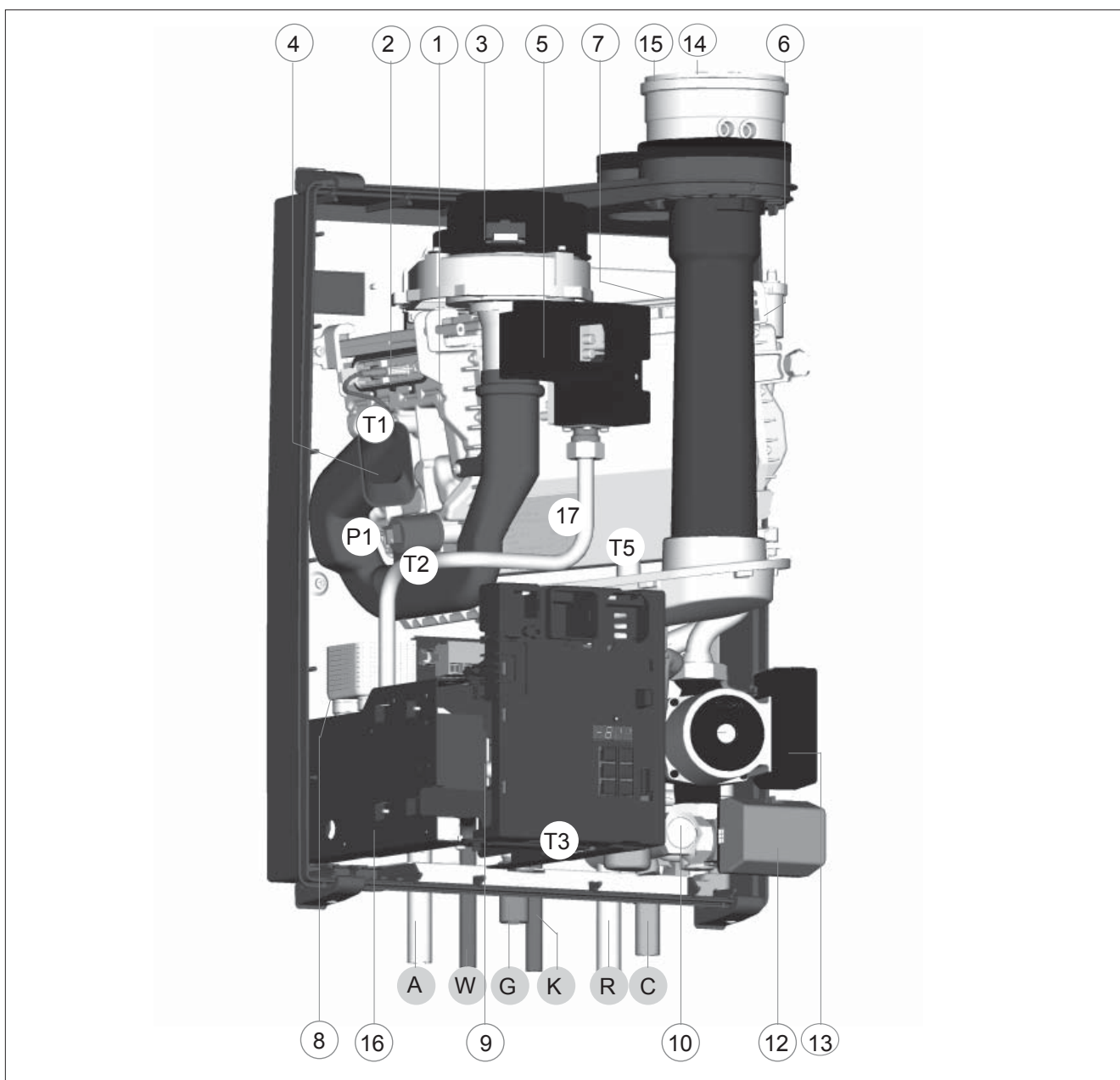
A 8000 heures d'utilisation, "service" permet de faire défiler l'écran. «Good» s'affiche ainsi alternativement. Pour faire un reset de la notification d'entretien 8000 heures :

- Entrez les paramètres 1er Niveau: 123 Code
- Appuyez brièvement sur "Mode" jusqu'à ce que le chapitre <service> est affiché (SERV)
- Maintenez le bouton "Store" jusqu'à ce que SERV clignote une fois-la notification d'entretien ne sera plus affichée pendant le fonctionnement normal et le compte à rebours d'entretien sera réinitialisé à 8000.

13.4 Garantie limitée

Les conditions de garantie se trouvent sur la carte de garantie fournie avec la chaudière.

14 Pièces de la chaudière



Rinnai série E

figure 41

1 échangeur de chaleur	8 échangeur de chaleur à plaques brasées ECS	15 alimentation en air de combustion
2 dispositif d'allumage	9 panneau de commande	16 plaque signalétique CSA (numéro de série)
3 ventilateur	10 boîtier de commande (SGC)	17 plaque signalétique ASME / NB / CRN
4 silencieux d'aspiration air	11 filtre à eau retour CC	
5 vanne gaz	12 vanne trois voies	
6 purgeur automatique	13 pompe de circulation	
7 cassette de brûleur en céramique	14 évacuation fumées	

T1 sonde départ
T2 sonde retour
T3 sonde d'ECS et interrupteur de débit

P1 sonde pression d'eau

G conduite gaz
F raccordement départ CC
R raccordement retour CC
C conduite condensats
K conduite eau froide
W conduite eau chaude

15 Blocages et erreurs

15.1 Indications d'erreurs (références courtes)

Une erreur détectée est indiquée sur l'affichage par des messages de blocage ou d'erreur. Une distinction doit être faite entre ces deux messages du fait que le blocage peut être de nature provisoire ; toutefois, les messages d'erreur sont des blocages fixes. La commande va faire son possible pour empêcher le verrouillage et va temporairement éteindre l'appareil en le bloquant. Vous trouverez ci-après une liste de quelques messages.

Blocages **bL** avec un nombre dans les 2 dernières positions.

bL01

Blocage 01 :
Coupure du contact de sécurité externe

bL05

Blocage 05:
Le capteur extérieur n'est pas connecté

bL11

Blocage 11 :
Le ΔT maximum moyen de la sonde départ et retour du chauffage central est dépassé à maintes reprises pendant le blocage, le fonctionnement normal de la production d'eau chaude est possible. La pompe continue à fonctionner à sa capacité minimale pendant le blocage.

bL12

Blocage 12 :
Le ΔT maximum moyen de la sonde départ et retour de l'eau chaude sanitaire est dépassé à maintes reprises plusieurs fois. Pendant le blocage, le fonctionnement normal de l'installation de chauffage central est possible. Pendant le blocage, la pompe continue à fonctionner à sa capacité minimale.

bL60

Blocage 60 :
Réglage incorrect du paramètre de puissance minimale ou maximale.

bL67

Blocage 67 :
Un ΔT a été détecté entre la sonde départ et retour, alors que le brûleur ne fonctionne pas. Après la disparition du ΔT , le blocage s'efface.

bL85

Blocage 85 :
La commande n'a pas détectée de débit d'eau. Le cycle de purge a commencé. Si pendant ce cycle un débit d'eau est détecté, le cycle de purge se termine et le brûleur est libéré.

Erreur **E** avec un nombre dans les 2 dernières positions.

E 00

Erreur 00 : faible formation de flamme

E 01

Erreur 01 : court-circuit sur le circuit en 24 volts

E 02

Erreur 02 : pas de formation de flamme

E 04

Erreur 04 : réglage ou erreur d'interruption de tension

E 05

Erreur 05 : réglage

E 12

Erreur 12 : thermostat haute limite

E 18

Erreur 18 : température départ maximale dépassée

E 19

Erreur 19 : température retour maximale dépassée

E 28

Erreur 28 : nombre de tours du ventilateur non signalé

E 69

Erreur 69 : affichage inexistant ou incorrect

FUSE

FUSE: fusible 24V défectueux



REMARQUE

Les pages suivantes décrivent plus en détail les instructions à suivre pour résoudre les blocages, les erreurs et les conditions pratiques. Ces instructions ne concernent que les professionnels agréés.

15.2 Blocages

Une erreur qui a été détectée est signalée sur l'affichage par un message de blocage. Les blocages peuvent être de nature provisoire. La commande va faire son possible pour empêcher un blocage du système et éteindre temporairement la chaudière à la suite d'un blocage. Veuillez trouver ci-dessous un nombre des blocages. Blocages **6L** avec un chiffre sur les 2 derniers caractères.

Code	Description	Solution
6L01	contact de sécurité externe ouvert	rectifiez l'erreur qui en résulte en déterminant le contact ouvert. ou établissez une interconnexion entre 24/25
6L05	contact de capteur extérieur ouvert (pas connecté)	rectifiez l'erreur qui en résulte en déterminant le contact ouvert ou le capteur extérieur n'est pas connecté. Connecter le capteur extérieur ou réparer la câblage (position 18/19) ou remplacer le capteur extérieur.
6L11	Le ΔT maximum moyen de la sonde départ et retour du chauffage central est dépassé à maintes reprises. Pendant le blocage, le fonctionnement normal de la production d'eau chaude est possible. La pompe continue à fonctionner à sa capacité minimale pendant le blocage.	Vérifiez le débit dans toute l'installation Consultez les instructions d'installation pour les raccordements hydrauliques à la chaudière (vanne 3 voies thermostatique, kit hydraulique installé?) Causes possibles : vannes d'arrêt (radiateur) fermées ou filtre à eau bloqué Sonde d'ambiance activée (RS101) dans une pièce non centrale (vannes thermostatiques de radiateur fermées ?) Vérifiez la hauteur de la pompe. Vérifiez la différence de température minimale et maximale dans Paramètre « step » 46 + 47.
6L12	Le ΔT maximum moyen de la sonde départ et retour de l'eau chaude est dépassé à maintes reprises. Pendant le blocage, le fonctionnement normal de l'installation de chauffage central est possible. La pompe continue à fonctionner à sa capacité minimale pendant le blocage.	Vérifiez le débit dans toute la chaudière et l'installation d'ECS Consultez les instructions d'installation pour les raccordements hydrauliques à la chaudière Causes possibles : vannes d'arrêt (radiateur) fermées ou filtre à eau bloqué Résistance (serpentin) dans boiler trop élevée (voir la hauteur de pompe) Vérifiez le fonctionnement et la pollution de la vanne trois voies.
6L60	Réglage incorrect du paramètre de puissance minimale ou maximale	Appelez Rinnai
6L67	Une différence de température a été détectée entre la sonde départ et retour, alors que le brûleur ne fonctionne pas. Après la disparition du ΔT moyen, le blocage disparaît.	Vérifiez la valeur de résistance de la sonde départ et retour et remplacez la sonde défectueuse. Vérifiez toute source de chaleur externe sur l'installation et rectifiez.
6L80	température de la sonde fumées trop haute	Contrôlez le système d'évacuation
6L81	sonde fumées ou contact de thermostat ouvert	Appelez Rinnai
6L82	sonde fumées ou contact de thermostat fermé	Appelez Rinnai
6L84	sonde fumées ou contact de thermostat ouvert	Contrôlez le système d'évacuation ou contrôlez paramètre 84 pour défaut
6L85	Aucun débit d'eau ne peut être détecté par la commande. Le cycle de purge a commencé. Si pendant ce cycle un débit d'eau est détecté, le cycle de purge se termine et le brûleur est libéré. La commande vérifie la pression d'eau durant le situation statique et dynamique.	- Vérifiez la présence d'air dans l'installation; Si une pompe secondaire est installée et n'est pas séparée hydrauliquement, elle peut provoquer des différences de pression. - Vérifiez l'usage de vannes d'équilibrage Vérifiez que la pompe fonctionne et/ou que la sonde de pression eau fonctionne correctement ; Pompe polluée; Sonde de pression eau polluée; Filtre à eau pollué; Câblage de la pompe.
6L86	La fréquence de l'alimentation électrique diffère de plus de + ou -1.5Hz	vérifiez l'alimentation électrique principale

15.3 Erreurs




Code	Description	Solution
E 00	Formation incorrecte de la flamme. La chaudière n'a pas brûlée, mais un débit d'ionisation (flamme) a encore été détecté	Vérifiez si le câble et/ou l'électrode d'ionisation sont responsables d'un court-circuit possible. Retirez les fiches du câble d'ionisation raccordées à l'unité de commande et à l'électrode. Maintenant, à l'aide d'un compteur universel, prenez une mesure entre le raccord d'ionisation et la terre, remettez tout en état pièce par pièce, jusqu'à ce qu'un court-circuit ait lieu. Rectifiez le court-circuit et remplacez cette pièce si nécessaire.
E 01	Court-circuit en 24 Volt	Vérifiez le branchement en 24 volts. Retirez toutes les fiches avec raccordement en 24 volts, comme : ventilateur, pompe, vannes trois voies et fiche 24 volts au bloc de raccordement. Vérifiez les courts-circuits sur les composants débranchés. Rallumez l'alimentation électrique sur l'unité de commande avec tous les composants débranchés. Rebranchez les composants qui ont été vérifiés et qui fonctionnent. Rectifiez le court-circuit ou remplacez le composant court-circuité.
E 02	Pas de formation de flamme	Vérifiez les données en mode Erreur. Données chaudière pendant une erreur. 1 erreur = 02 2 état de fonctionnement = 02 3 temp. départ = xx* 4 temp. retour = xx* 5 Brûleur kW = xx** 6 % pompe = xx* * = valeur variable ** = x 3451 = BTU/hr
1	Pas de différence de température entre l'alimentation (3) et le retour (4)	La chaudière n'a pas pu allumer ni recevoir de gaz. La chaudière tente de démarrer 6 fois avec une charge croissante de démarrage après le temps de sécurité. Vérifiez si : - le vanne gaz est ouverte ; - il y a du courant sur la vanne gaz ; - le vanne gaz s'ouvre La pré-pression préliminaire minimale du gaz pendant le démarrage doit être au minimum de 7 po CE (17 mbar), vérifiez les 24 Volts dans le gaz pendant l'allumage, le bloc en position ouverte
2	Il existe une différence de température entre départ (3) et retour (4)	La chaudière s'est éteinte après l'allumage. En raison d'une ionisation insuffisante, le brûleur s'est éteint après l'allumage Débit d'ionisation, câble d'ionisation ou réglage de l'O ₂ . Le débit minimum d'ionisation doit être de 4 µA, l'O ₂ doit être d'un minimum de 4.4% pour Gaz Naturel ou 4.8% pour Gaz Propane.
E 03	Erreur de la régulation	Connecteur pas connecté dans la vanne gaz ou un défaut dans les câblage de la vanne gaz. Erreur du logiciel de l'unité de commande. Remplacez l'unité de commande. L'écran va automatiquement charger le programme dans la nouvelle commande.
E 04	La commande a détecté une erreur de programme	Faites un reset de la chaudière. La chaudière indique automatiquement ce message si pendant une lecture d'erreur, le courant vers la chaudière est coupé. Après le rétablissement du courant, si l'erreur responsable de l'interférence n'est plus présente, ce message s'affiche. Rectifiez l'erreur précédente. Si l'erreur 04 persiste, et les erreurs précédentes ne se produisent pas, remplacez l'unité de commande

Code	Description	Solution
E 05	Erreur unité de commande	Vérifiez la stabilité 120V. Si la tension dévie plus qu'entre +10% et -15%, l'alimentation électrique doit être stabilisée. Vérifiez le câble ruban entre l'unité de commande et l'afficheur; si nécessaire remplacez-le
	L'erreur persiste après reset	Erreur du logiciel de l'unité de commande, remplacez l'unité de commande. l'unité de commande va automatiquement charger le programme dans la nouvelle unité de commande.
E 06	Erreur unité de commande	L'humidité sur le circuit imprimé. Vérifiez s'il ya des fuites d'eau sur ou dans la chaudière. Arrêter la fuite et remplacer le contrôleur MCBA
E 07	Erreur unité de commande	
1	Fil de résistance d'anticipation pas présente.	Quand un thermostat d'ambiance 'power stealing' est placé la borne de raccordement doit être prévue du fil spécial de résistance d'anticipation.
2	Erreur du logiciel unité de commande.	Remplacez l'unité de commande. La commande va automatiquement charger le programme dans la nouvelle unité de commande.
E 12	Thermostat haute limite ouvert	Température départ trop haute. A cause de: - présence d'air - pollution possible de la turbine de la pompe de circulation - pollution filtre interne Vérifiez le purgeur automatique. Remplacez le purgeur automatique si nécessaire et redémarrez la chaudière pour redémarrer le programme de purge (17min.) Vérifiez le débit de l'eau de l'installation. Si nécessaire nettoyer la pompe et/ou le filtre. Rincez tout le système. Vérifiez le réglage des vannes d'équilibrage.
E 13	Erreur unité de commande	Remplacez l'unité de commande. La commande va automatiquement charger le programme dans la nouvelle l'unité de commande.
E 14	- connexion à la terre la sonde départ T3 - défaut sonde départ T3 - défaut de la régulation	Vérifiez les données en mode Erreur. Données chaudière pendant une erreur. 1 erreur = 14 2 état de fonctionn. = 00 3 temp. départ = -22 4 temp. retour = xx* 5 kW brûleur = 00** 6 % pompe = xx* * = valeurs variables **= x 3451 = BTU/hr Une température de - 36 est affichée en position 3. Vérifiez le câblage et/ou mesurez la résistance du la sonde départ. La résistance doit être d'environ 12 kOhms à 25°C / 77°F. (Voir Annexe B) Si nécessaire, remplacez le capteur de débit.
E 18	Signal de température eau d'eau maximale dépassée ($T_1 > 100^{\circ}\text{C} / 212^{\circ}\text{F}$).	Vérifiez la température départ réelle. Brusque augmentation causée par l'arrêt hydraulique complet de la chaudière (filtre, pompe, vanne thermostatique, vanne de service) Vérifiez la sonde départ NTC1. Mesurez la valeur de la résistance (voir tableau) (Voir Annexe B) Changez la pièce défectueuse si nécessaire. Changez l'unité de commande si l'erreur persiste.

Code	Description	Solution
E 19	Signal de température eau retour maximale dépassée ($T_2 > 212^\circ\text{F}$).	Vérifiez la température retour réelle. Augmentation de température provoquée par une source de chaleur externe ? Vérifiez la sonde retour NTC 2. Mesurez la valeur de la résistance (voir tableau) (Voir Annexe B) Changez la pièce défectueuse si nécessaire. Changez l'unité de commande si l'erreur persiste.
E 24	T1 et T2 (échangées).	Température T2 est mesuré supérieur à T1. Vérifiez la valeur de résistance de T1 et T2 et remplacer T1 ou T2.
E 26	Défaut commande	Changez l'unité de commande
E 28	Aucun signal du ventilateur	Le ventilateur ne tourne pas. Vérifiez le câblage du ventilateur et de l'unité de commande et/ou l'alimentation électrique en 24 volts du ventilateur Le câblage et la tension sont OK et l'erreur persiste. Remplacez le ventilateur
E 29	Pression négative sur le système d'évacuation fumées (différence de pression)	Vérifier le système d'évacuation fumées. Le système d'évacuation fumées doit être installé selon les instructions d'installation Si le système d'évacuation fumées est OK: Remplacez le ventilateur
E 31	Arrêt interne de la sonde départ T1	Vérifiez les données en mode Erreur. Données chaudière pendant une erreur. 1 erreur = 31 2 état de fonctionn. = 00 3 temp. départ = 230 4 temp. retour = xx* 5 kW brûleur = 00** 6 % pompe = xx* * = valeurs variables **= x 3451 = BTU/hr Vérifiez le câblage de la sonde Le câblage est OK, mais l'erreur persiste. Retirez la fiche de la sonde départ qui provoque l'Erreur 36 Remplacez la sonde.
E 32	Arrêt interne de la sonde retour T2	Vérifiez les données en mode Erreur. Données chaudière pendant une erreur. 1 erreur = 32 2 état de fonctionn. = 00 3 temp. départ = xx* 4 temp. retour = 230 5 kW brûleur = 00** 6 % pompe = xx* * = valeurs variables **= x 3451 = BTU/hr Vérifiez le câblage de la sonde Le câblage est OK, mais l'erreur persiste. Retirez la fiche de la sonde retour qui provoque l'Erreur 37 Remplacez la sonde.

Code	Description	Solution
E 36	Contact de la sonde départ T1 ouvert	<p>Vérifiez les données en mode Erreur. Données chaudière pendant une erreur.</p> <p>1 erreur = 36 2 état de fonctionn. = 00 3 temp. départ = -22 4 temp. retour = xx* 5 kW brûleur = 00** 6 % pompe = xx*</p> <p>* = valeurs variables **= x 3451 = BTU/hr</p> <hr/> <p>Vérifiez le câblage de la sonde</p> <hr/> <p>Le câblage est OK, mais l'erreur persiste. Retirez la fiche de la sonde départ qui provoque l'Erreur 31</p> <hr/> <p>Remplacez la sonde.</p>
E 37	Contact du capteur de retour T2 ouvert	<p>Vérifiez les données en mode Erreur. Données de la chaudière pendant une erreur.</p> <p>1 erreur = 37 2 opérationnel état = 00 3 temp. de départ = xx* 4 temp. de retour = -22 5 Brûleur kW = 00** 6 % pompe = xx*</p> <p>* = valeur variable **= x 3451 = BTU/hr</p> <hr/> <p>Vérifiez le câblage de la sonde</p> <hr/> <p>Le câblage est OK, mais l'erreur persiste. Retirez la fiche de la sonde retour qui provoque l'Erreur 32</p> <hr/> <p>Remplacez la sonde.</p>
E 41	Erreur unité de commande	Erreur du logiciel de l'unité de commande. Remplacez l'unité de commande. L'affichage va automatiquement charger le programme dans la nouvelle régulation.
E 42	Erreur unité de commande	Erreur du logiciel de l'unité de commande. Remplacez l'unité de commande. L'affichage va automatiquement charger le programme dans la nouvelle unité de commande.
E 44	Fuite électrique à la terre.	Humidité sur la commande PCB (circuit imprimé). Vérifiez s'il y a des fuites d'eau sur ou dans la chaudière Arrêtez de fuite d'eau et remplacez la commande.
E 69	E-Prom n'est pas présent sur l'unité de commande	Placez E-prom.
E 80	La température des fumées trop haute (paramètre 84 réglage par défaut 212 ° F)	Remplacez la sonde fumées ou réglez le paramètre 84 par défaut..
FUSE	Fusible sur le commande PCB défectueux ou Transformateur de câble non connecté	Remplacez le fusible. Un fusible de rechange de 4A et 5A se trouve à l'intérieur du boîtier de commande juste au-dessus du circuit imprimé.

15.4 Autres erreurs

Plainte	Description	Solution
Chauffage central mais pas d'eau chaude sanitaire	1. La touche  du programme d'ECS n'est pas activée	Activez le programme d'ECS sur le boîtier de commande
	2. Régulateur de débit ne fonctionne pas correctement.	Vérifiez débit et / ou vérifiez les impuretés. Vérifiez le fonctionnement.
	3. T3 sonde ECS dans l'échangeur de chaleur à plaques défectueux	Remplacez la sonde ECS
	4. Lors de l'utilisation du RS100	<ul style="list-style-type: none"> - Vérifiez les heures de la minuterie du programme ECS, réinitialisez si nécessaire - Le RS100 ne répond pas au programme d'ECS - Se référer aux instructions d'installation du RS100
	5. La vanne trois voies ne circule pas vers l'ECS	<ul style="list-style-type: none"> - Vérifiez le câblage. - Remplacez le moteur de la vanne trois voies si nécessaire.
Eau chaude mais pas de chauffage central	1. La touche  du programme de chauffage central n'est pas activée.	Activez le programme de chauffage central
	2. Le thermostat d'ambiance (on/off) n'envoie aucun signal à la chaudière.	Vérifiez le thermostat d'ambiance
	3. RS100 avec sonde extérieure (sonde d'ambiance sur On)	<ul style="list-style-type: none"> - La température extérieure est supérieure à 70°F (21°C), selon la consigne d'éco-température (70°F est la valeur par défaut). Vérifiez l'étape 7 du chapitre Info ou si la température est supérieure à la consigne d'éco-température (voir les instructions d'installation du RS100). - Vérifiez le programme de la minuterie et régler la température de la pièce.
	4. La vanne en trois voies ne distribue pas en position de chauffage central.	Vérifiez le programme de la minuterie et réglez la température ambiante.
L'installation du chauffage central chauffe sans l'avoir commandé	1.  -La touche du programme de pompe est activée.	Arrêt.
	2. Saletés dans la vanne trois voies ou cartouche de vanne trois voies enrayée.	Nettoyez ou remplacez.
Quantité insuffisante d'eau chaude	1. Raccordements de l'eau chaude et de l'eau froide à la chaudière confondus.	Vérifiez gauche = chaud, droite = froid
	2. Vanne de réduction du débit incorrecte.	<ul style="list-style-type: none"> - Vérifiez le type et la contamination, et si nécessaire, remplacez et/ou nettoyez. - Vérifiez le réglage de la vanne de synchronisation de confort conformément aux instructions d'installation.
	3. En l'absence de résultats positifs	Vérifiez l'entartrage dans l'échangeur l'ECS. Si nécessaire, démarrez ou remplacez

Plainte	Description	Solution
Chute de température de l'ECS	1. Raccordements de l'eau chaude et de l'eau froide à la chaudière confondus	Vérifiez gauche = chaud, droite = froid
	2. Vanne de réduction du débit.	Vérifiez le type de vanne de réduction conformément aux instructions d'installation
	3. La puissance ECS est réglée trop basse pour la chaudière.	- Vérifiez le chapitre PARA < step > No. 43 - Vérifiez le fonctionnement et le câblage de la sonde ECS T3.
Les radiateurs ne chauffent pas assez ou le chauffage prend trop de temps	1. Vérifiez le réglage du thermostat d'ambiance ou le RS100	Voir manuel d'installation et le mode d'emploi RS100
	2. température d'eau départ trop basse.	Vérifiez le réglage au chapitre PARA < step > No. 1 et augmentez si nécessaire
	3. choix incorrect d'installation	Chapitre PARA Etape No. 2 changez si nécessaire.
	4. résistance de l'installation trop élevée (étant donné une T moyenne > 36°F(2°C), la chaudière réduit la charge).	- Voir les instructions d'installation. - Vérifiez / nettoyez le filtre à eau, vérifiez les dimensions des conduites.

17 Liste des pièces du système d'évacuation

Produits d'évacuation enregistrés et examinés pour E75C, E110C, Q85S, QP85, Q130S, QP130, Q175S, Q175C et Q205S

Fabricant	Description	Pièce #	
Heatfab	DGV 3"/5" (76/127mm) Pièce T Concentrique aspiration air 3" (76mm)	DGV03TAD3	
	DGV 3"/5" (76/127mm) Conc. X 12" (305mm) Longueur	DGV03L12	
	Concentrique	DGV 3"/5" (76/127mm) Conc. X 31" (787mm) Longueur	DGV03L36
	DGV 3"/5" (76/127mm) Adaptateur Term Conc Hor	DGV03HT	
	DGV 3"/5" (76/127mm) Adaptateur Term Conc Vert	DGV03VT	
	Chapeau pluie	SGV300	
	3"- Adaptateur pour tenir dans un collet de vent 80 mm	adaptateur	
	3"- 12 Longueur	SGV302	
	3"- 31" Longueur	SGV307	
	Conduit double	3"- 90 Deg Tr coude	SGV314
		3"- Grille sortie évacuation	SGV392
		3"- Bride murale plate	SGV393
		3"- Grand cône, toit plat- pente 2/12	SGV3TCF
Fabricant	Description	Pièce #	
IPEX	Sortie concentrique évacuation	1CT0303	
	PVC - FGV Kit concentrique	196006	
	PVC - FGV Kit de sortie murale	81219	
	CPVC - FGV Kit de vent concentrique	197009	
	Grille sortie évacuation	196051	
Fabricant	Description	Pièce #	
Simpson Dura-Vent	3" (76mm) SS système flexible de revêtement	3SFLEX-XX 294590	
	3" (76mm) FasNSeal Flex-to-FasNSeal Adaptateur femelle	304003	
	3" (76mm) FasNSeal-to-FasNSeal Adaptateur Flexible mâle	304103	
	80mm à 3" Adaptateur appareil	FSA-80MM3	
	Sortie verticale	300325	
	3" (76mm) Coude 90 degrés	300160	
	3x5 AL294C Concentrique (12" Conduit droit)	35CVS-12	
	3x5 AL294C Concentrique (36" Conduit droit)	35CVS-36	
	3x5 AL294C Concentrique (48" Conduit droit)	35CVS-48	
	3x5 AL294C Concentrique (90° Coude)	35CVS-E90	
	3x5 AL294C Concentrique (45° Coude)	35CVS-E45	
	3x5 AL294C Concentrique (Attache murale)	35CVS-WS	
	3x5 AL294C Concentrique (Chapeau horizontal)	35CVS-HC	
	3x5 AL294C Concentrique (Chapeau vertical)	35CVS-VC	
	3x5 Combustion étanche longueur évacuation 6"	SC-0603	
	3x5 Combustion étanche longueur évacuation 12"	SC-1203	
	3x5 Combustion étanche longueur évacuation 18"	SC-1803	
	3x5 Combustion étanche longueur évacuation 24"	SC-2403	
	3x5 Combustion étanche longueur évacuation 36"	SC-36-3	
	3x5 Combustion étanche évacuation longueur ajustable	SC-AVL3	
	3x5 Combustion étanche coude 94°	SC-94033	
	Kit Mur (avec chapeau)	FSSCWMK35	
	Kit Toit (avec chapeau)	FSSCTRK35	
Fabricant	Description	Pièce #	
Rinnai/ Ubbink	Sections à 1 mètre de PPS/PVC, 3"/5" (76/127mm)	224080	
	90 degrés, mâle x femelle, PPS/PVC, 3"/5" (76/127mm)	224078	
	Sortie horizontale en PPS, 21" (533mm)	223175	
	Sortie verticale en PPS	184162	
	Kit sortie horizontale rehaussé (tuba) pour condensation	224047PP	
	Coude condensation 45 Deg. Conduite évacuation 2 pcs	224077PP	
	Inox: Sections à 1 mètre de Inox/PVC, 3"/5" (76/127mm)	224204SS	
	90 degrés, mâle x femelle, Inox/PVC, 3"/5" (76/127mm)	224201SS	
	Sortie horizontale Inox, 21" (533mm)	223178SS	
	Sortie verticale Inox	184221SS	

Fabricant	Description	Pièce #
York International	3" PVC Sortie concentrique évacuation	1CT0303

Fabricant	Description	Pièce #
CentroTherm	3"/4" B-Vent Chapeau de cheminée	IABC0304
	3"/5" B-Vent Chapeau de cheminée	IABC0305
	3"/6" B-Vent Chapeau de cheminée	IABC0306
	3"/7" B-Vent Chapeau de cheminée	IABC0307
	3" Rondelle de connexion	IANS03
	3" Serrage de support	IASC03
	3" Rondelle	IASP03
	3" Paravent PPs-UV Noir	IASPP03
	3" Paravent de l'oiseau Inox	IASSS03
	3" Chapeau mur Noir	IAWP03B
	3" Chapeau mur Blanc	IAWP03W
	3" Adaptateur Tuyau parallèle à 3"/5" Concentrique	ICTC0335
	3" Support de base	ISBS0387
	3" Chapeau de cheminée Inox w/PPs-UV Tuyau final	ISCM03
	3" Chapeau de cheminée PPs-UV Noir	ISCP03
	3" Chapeau de cheminée Inox w/Inox Tuyau final	ISCS03
	3" x 45 Coude	ISEL0345
	3" x 87 Coude	ISEL0387
	3" x 45 Coude Long	ISELL0345
	3" x 45° Coude Long PPs-UV Noir	ISELL0345UV
	3" x 87 Coude Long	ISELL0387
	3" x 87° Coude Long PPs-UV Noir	ISELL0387UV
	3" x 87° Coude de balayage	ISELR0387
	3" x 20" Tuyau final PPs-UV Noir	ISEP03
	3" x 39" Tuyau final PPs-UV Noir	ISEP0339
	3" Joint EDPM Mur Solo	ISGE03
	3" T de vidange Horizontale	ISHDT03
	3" Kit Mur Profile basse	ISLPT0303
	3" T	IST03
	3" Port de test	ISTP03
	3" Terminal T Long	ISTT0320
	3" x 12" Tronçon	ISVL031
	3" x 24" Tronçon	ISVL032
	3" x 24" Tronçon PPs-UV Noir	ISVL032UV
	3" x 36" Tronçon	ISVL033
	3" x 39" Tronçon UV Noir	ISVL0339UV
	3" x 72" Tronçon	ISVL036
	3"/5" Kit Toit Concentrique PPs-UV	ICRT3539
	3"/5" Kit Mur Concentrique PPs-UV	ICWT352
	3" to 2" Venturi	ISVC0302

Divers		
Terminal	General PVC 1120 3" SCH 40 DWV ASTM D 2665 900 Coude	
Tuyeau d'air entrée	PVC 1120 3" SCH 40 DWV ASTM D 2665	
Tuyeau de ventilation	PVC 1120 3" SCH 40 DWV ASTM D 2665	

Informations de contact des fabricants pour Instructions d'installation et Listes des pièces:

Heat-Fab

Téléphone: 800-772-0739
Fax: 413-863-4803
cystsvc@heat-fab.com
www.heatfab.com

IPEX

Téléphone: 800-463-9572
905-403-0264
Fax: 905-403-9195
www.ipexamerica.com

Simpson Dura-Vent

Téléphone: 518-463-7284
Fax: 518-463-5271
sales@duravent.com
www.protechinfo.com

Rinnai/Ubbink

Téléphone: 800-621-9419
Fax: 678-829-1666
www.rinnai.us

York International

Téléphone: 405-364-4040
877-874-7378
www.york.com/products/unitary/

CENTROTHERM Eco System

Téléphone: 877-434-3432
Fax: 518-618-3166
info@centrotherm.us.com
www.centrotherm.us.com

18 Directives d'évacuation commune

Ne raccordez pas une évacuation commune au conduit d'évacuation de tout autre chauffage ou appareil. Toutefois, si une chaudière existante est enlevée d'un système d'évacuation commun, ce dernier est probablement trop grand pour une bonne évacuation des appareils qui y restent connectés.

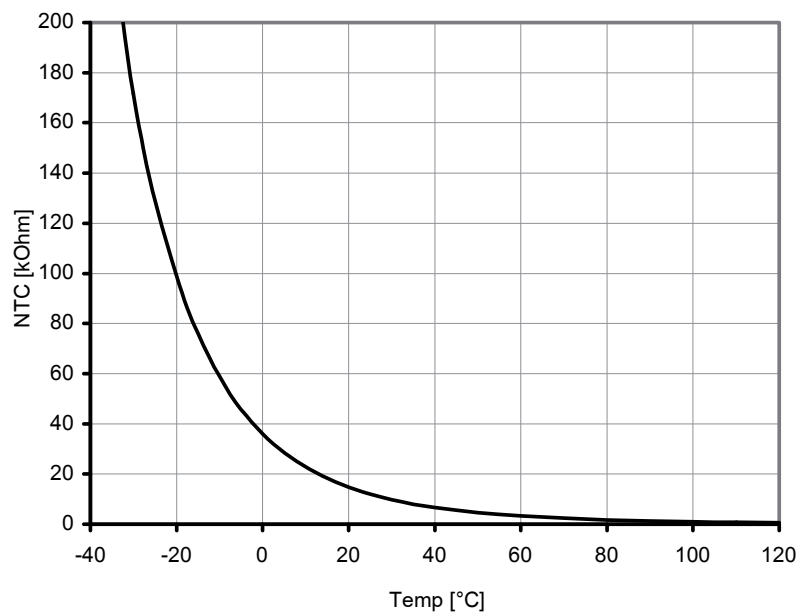
Au moment du retrait d'une chaudière existante, les mesures suivantes doivent être prises pour chaque appareil qui reste raccordé au système d'évacuation commun et qui fonctionne alors que d'autres appareils toujours raccordés au système d'évacuation ne fonctionnent pas :

- (a) Scellez toutes les ouvertures non utilisées du système d'évacuation.
- (b) Inspectez de façon visuelle le système d'évacuation pour déterminer les bonnes mesures et l'inclinaison horizontale qui conviennent et s'assurer que le système est exempt de blocage ou d'obstruction, de fuite, de corrosion et autres défaillances qui pourraient présenter des risques.
- (c) Dans la mesure du possible, fermez toutes les portes et les fenêtres du bâtiment et toutes les portes entre l'espace où les appareils toujours raccordés au système d'évacuation sont installés et les autres espaces du bâtiment. Mettez en marche les sèche-linge, tous les appareils non raccordés au système d'évacuation commun et tous les ventilateurs d'extraction comme les hottes de cuisine et les ventilateurs des salles de bain. S'assurer que ces ventilateurs fonctionnent à la vitesse maximale. Ne pas faire fonctionner de ventilateur d'été. Fermez les registres des cheminées.
- (d) Mettre l'appareil inspecté en marche. Suivre les instructions d'allumage. Réglez le thermostat de façon que l'appareil fonctionne sans interruption.
- (e) Faites fonctionner le brûleur principal pendant 5 min ensuite, déterminer si le coupe-tirage déverse à l'ouverture de décharge. Utilisez la flamme d'une allumette ou d'une chandelle ou la fumée d'une cigarette, d'un cigare ou d'une pipe.
- (f) Une fois qu'il a été déterminé, selon la méthode indiquée ci-dessus, que chaque appareil encore raccordé au système d'évacuation évacue de façon adéquate, remettez les portes et les fenêtres, les ventilateurs, les registres de cheminées et les appareils au gaz à leur position originale.
- (g) Tout mauvais fonctionnement du système d'évacuation commun devrait être corrigé de façon à ce que l'installation soit conforme au National Fuel Gas Code, ANSI Z223.1/NFPA 54 et (ou) aux codes d'installation CAN/CSA B149.1. Si la section du système d'évacuation doit être redimensionnée, le système devrait être modifié pour respecter les valeurs minimales des tableaux appropriés de l'annexe F du National Fuel Gas Code, ANSI Z223.1/NFPA 54 et (ou) les codes d'installation CAN/CSA B149.1.

Annexe A – Données de la sonde extérieure de reset

R 25 °C	12 kΩ
R 100 ° C	950 Ω
B _{25/85}	3750 K
Coefficient de température	-4,2 %/K

Temp [°C]	NTC [kOhm]
-30	171.70
-20	98.82
-10	58.82
0	36.10
10	22.79
20	14.77
25	12.00
30	9.81
40	6.65
50	4.61
60	3.25
70	2.34
80	1.71
90	1.27
100	0.95
110	0.73
120	0.56



Annexe B - Tableau de résistance des sondes NTC

NTC 12K (12kΩ/77°F)		
sonde départ / supply sensor T1		
sonde retour / return sensor T2		
sonde ECS / DHW sensor T3		
sonde extérieur / outside sensor T4		
sonde fumées / flue gas sensor T5		
°C	°F	
-20	-4	98,000
-18	-0.4	90,000
-16	3.2	82,000
-14	6.8	74,000
-12	10.4	66,000
-10	14	58,000
-8	17.6	53,500
-6	21.2	49,000
-4	24.8	45,000
-2	28.4	40,500
0	32	36,000
2	35.6	33,500
4	39.2	30,900
6	42.8	28,200
8	46.4	25,600
10	50	23,000
12	53.6	21,400
14	57.2	19,900
16	60.8	18,100
18	64.4	16,600
20	68	15,000
22	71.6	14,000
24	75.2	12,900
26	78.8	11,900
28	82.4	10,850
30	86	9,800
32	89.6	9,100
34	93.2	8,500
36	96.8	7,900
38	100.4	7,200
40	104	6,500
45	113	5,600
50	122	4,600
55	131	4,000
60	140	3,400
70	158	2,300
80	176	1,700
90	194	1,300
100	212	950

Tableau de resistance des sondes NTC

Rinnai®

EXPERIENCE OUR INNOVATION™

800000023 10/2013

Distributor for the USA and Canada

Distributeur pour les États-Unis et le Canada

Rinnai America Corporate • 103 International Drive • Peachtree City, GA 30269
Toll Free: (800) 621-9419 • Tel: (678) 829-1700 • Fax: (678) 829-1666 • E-mail: info@rinnai.us • Internet: www.rinnai.us

E. & O. E.

This renewed publication cancels all previous installation instructions. The company reserves the right to change the specifications and dimensions without prior notice.
Cette publication mise à jour annule toutes les instructions d'installation précédents. La société se réserve le droit de modifier les spécifications et les dimensions sans avis préalable