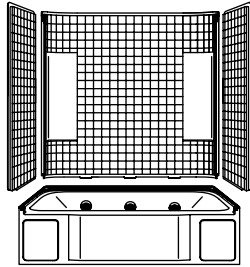


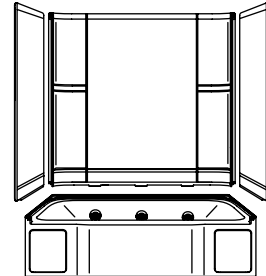
Installation Guide

Whirlpool Bath and Wall Surrounds

7614 Series



7624 Series



Français, page "Français-1"
Español, página "Español-1"

STERLING
A KOHLER COMPANY

1070292-2-D

Important Information



WARNING: When using electrical products, always follow basic precautions, including the following:



DANGER: Risk of electric shock. To reduce the risk of electrical shock, connect the pump only to properly installed Ground-Fault Circuit-Interrupters (GFCI). Do not remove the plug grounding pins. Do not use grounding adapters.



WARNING: Risk of injury or property damage. Please read all instructions thoroughly before beginning the installation, including the following requirements.



WARNING: Risk of electric shock. A qualified electrician should make all electrical connections.



WARNING: Risk of electric shock. Disconnect power before servicing.

Building materials and wiring should be routed away from the pump body and other heat-producing components of the unit.

NOTE: Follow all local plumbing, building, and electrical codes.

Product Information

Electrical Requirements

NOTE: If the supply cord is damaged, it must be replaced by the manufacturer, its service agent, or similarly qualified persons in order to avoid a hazard.

- The installation must include a Class A Ground-Fault Circuit-Interrupter (GFCI). The GFCI protects against line-to-ground shock hazard. Use a 120 V, 15 A, 60 Hz dedicated service for the whirlpool.

Product Notices



WARNING: Unauthorized modification of the pump may cause unsafe operation and poor performance of the whirlpool. Do not relocate the whirlpool pump or make other modifications to the whirlpool system, as this could adversely affect the performance and safe operation of the whirlpool. Sterling Plumbing shall not be liable under its warranty or otherwise for personal injury or damage caused by any such unauthorized modification.

Factory-Assembled Features

- Factory installed components include: pump with power supply cord, air switch transmitter, and whirlpool jets with suction fitting.

Connections and Service Access

- Before installation, verify proper access to the final connections.

Table of Contents

Important Information	2
Thank You For Choosing Sterling	4
Tools and Materials	4
Before You Begin	4
Roughing-In	6
Construct New Framing	6
Prepare the Subfloor	7
Install the Rough Plumbing	8
Install the Electrical Outlet	9
Prepare the Whirlpool and Subfloor	10
Position the Whirlpool	11
Cut the Pump Banding Straps	13
Install the Drain and Test Piping	13
Make Electrical Connections	14
Pre-Fit the Walls to the Whirlpool	15
Cut the Holes for Valves and Spout	16
Secure the Wall Surrounds	17
Complete the Installation	18
Confirm Proper Operation	19
Install the Apron Access Panel	20
Troubleshooting Table	20

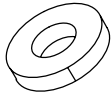
Thank You For Choosing Sterling

We appreciate your commitment to Sterling value. Please take a few minutes to review this manual before you start installation. If you encounter any installation or performance problems, please don't hesitate to contact us. Our phone numbers are listed within this manual. Thanks again for choosing Sterling.

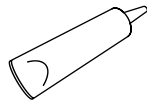
Tools and Materials



Safety Glasses



2" (5.1 cm) Masking Tape



Clear 100% Silicone Sealant



Drill



Pliers



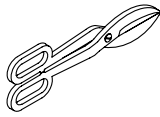
Tape Measure

Plus:

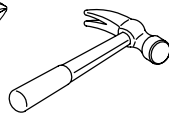
- Conventional woodworking tools and materials
- Drop cloth
- Mortar cement (optional)
- 2x2s and 2x4s or 2x6s
- Hole saw or jigsaw with fine tooth blade (32 teeth per inch)
- Galvanized or plated roofing nails or galvanized non-tapered flathead screws



Square



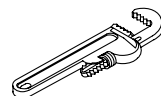
Tin Snips



Claw Hammer



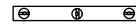
Adjustable Wrench



Pipe Wrench



Pencil



Level

Before You Begin



CAUTION: Risk of product damage. Install the whirlpool on an adequately supported, level subfloor. The basin area requires no additional support when the subfloor is level and square with the stud framing. Use shims for additional support if the subfloor is uneven. Do not install the whirlpool over open floor joists.



CAUTION: Risk of product damage. Do not remove the foam backing from the wall surround sections. Wall surround sections are equipped with foam backing to bring the back of the wall into contact with the regular stud framing. This foam is not packing material.



CAUTION: Risk of property damage. Only apply 100% silicone sealant to the areas where instructed to do so. Do not add silicone sealant to any other areas. The inappropriate use of silicone sealant may trap moisture and could result in mold, leakage, or mildew. For whirlpool-only installations, 100% silicone sealant is required at the seams of the walls and the whirlpool. We recommend using colored 100% silicone sealant to match the color of the product. Use of latex based or other caulks is not recommended. If a shower door will be added, you will be instructed to apply silicone sealant where the front edges of the end wall surrounds will meet the whirlpool. This will prevent water from passing through the shower door extrusion to the back side of the wall. Follow the shower door and silicone sealant manufacturer's instructions.



CAUTION: Risk of product damage. Do not lift the whirlpool using the apron brace. Lift the whirlpool by the rim at multiple points. Whirlpool units in a single carton are shipped with apron braces in the closed position. Whirlpool units in multi-pack cartons are shipped with one or more sets of apron braces disconnected at the apron. Connect the apron braces to the apron **before** removing the unit from the carton(s).



CAUTION: Risk of product damage. To avoid rust marks on your product, ensure the roofing nails or non-tapered flathead screws are galvanized or plated. If using galvanized or plated non-tapered flathead screws, **do not overtighten the screws.** Excessive tightening can damage the wall flange. Consult local building codes to determine if the screws or nails must be galvanized or plated.

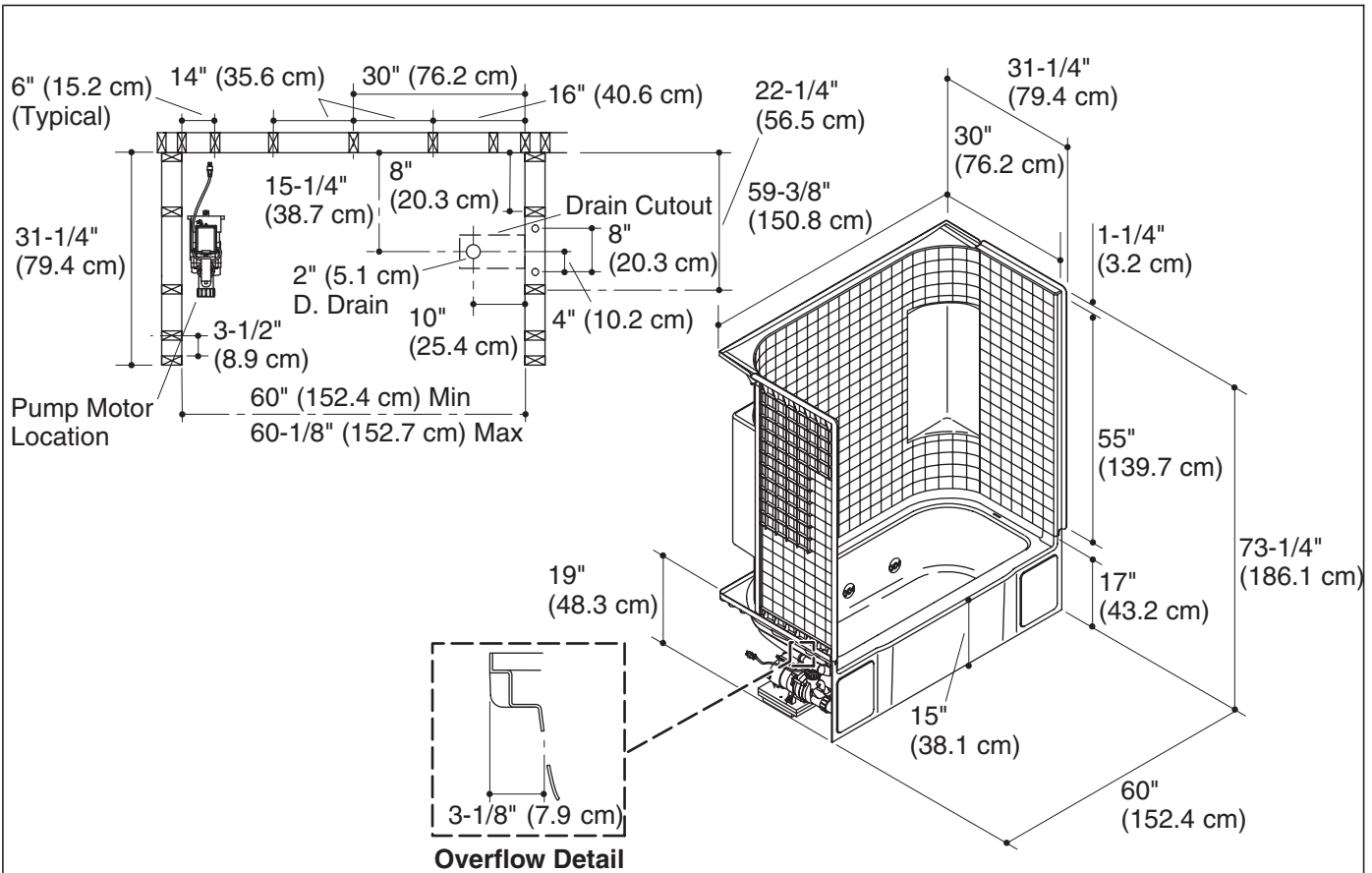
IMPORTANT! The whirlpool cannot be installed without the wall surrounds.

Before You Begin (cont.)

IMPORTANT! If your whirlpool is shipped with a liner, keep the liner in place until construction is complete to prevent surface damage to the unit. If a liner is not available, place a clean drop cloth or similar material in the bottom of the whirlpool.

IMPORTANT! Risk of product damage. Do not install the whirlpool over open floor joists. The basin area requires no additional support when the subfloor is level and square with the stud framing. Install the whirlpool on an adequately supported, level subfloor. Use shims for additional support if the subfloor is uneven.

- Read all instructions before you begin.
- Observe all applicable plumbing, electrical, and building codes.
- This whirlpool is designed for alcove installations.
- Upon receipt, check for shortages or damage. Report any shortages or damage immediately.
- Do not remove the old fixture before you unpack and inspect the new unit.
- Store the whirlpool and wall surrounds in a safe place until you begin installation to avoid damage.
- If remodeling, measure the existing framework before removing the old whirlpool to make sure that the new whirlpool will fit. Make sure that the drain is in the correct location.
- Confirm adequate mounting and connection space for the water supply and drain installation.
- The apron panel is not removable on whirlpool units.
- If you encounter any installation or performance problems, please do not hesitate to contact Sterling between the hours of 7:00 am and 6:00 pm CST at: 1-888-STERLING in the USA or 001-877-680-1310 in Mexico.
- If your whirlpool is shipped with a liner, keep the liner in place until construction is complete. If a liner is not available, position a clean drop cloth or similar material in the bottom of the whirlpool.
- Sterling reserves the right to make revisions in the design of products without notice, as specified in the Price Book.



Roughing-In

IMPORTANT! All dimensions are nominal. The stud opening tolerance is $+1/8"$ (3 mm)/-0. Carefully measure your fixture before determining enclosure size. Some shimming between the stud frame and the fixture may be required. If a firewall is required, rough-in dimensions will have to increase according to the thickness of the firewall material. Stud opening dimensions must be measured toward the exposed side of the wall material. Dimensions given in the rough-in information are crucial for proper installation. Construct the framing and plumbing accurately.

If installing this whirlpool with a shower door, refer to the shower door manufacturer's instructions for any special framing considerations.

1. Construct New Framing

NOTE: Refer to the "Roughing-In" section for dimensions.



WARNING: Risk of product and property damage. The whirlpool must be supported by the subfloor.

Framing Provisions

- A subfloor must be installed. The whirlpool must be positioned to allow clearance for drainage through the floor joists or slab and to allow convenient plumbing installation.

NOTE: If the wall surrounds will be installed to a masonry wall, make provisions for plumbing connections. For the plumbing end wall, construct a separate frame wall a minimum of 6" (15.2 cm) from the masonry wall. For the remaining walls, use 2x2 furring strips to provide stud locations.

- Ensure that the outer stud is positioned with the vertical wall flanges 31-1/4" (79.4 cm) from the back wall. The outer edge of the stud should align with the edge of the wall flange.

Construct New Framing (cont.)

IMPORTANT! Accessories that require backing or support are not recommended for this installation. Installing these accessories could void the warranty.

- If installing this unit with a shower door, refer to the shower door manufacturer's instructions for any special framing considerations. It may be appropriate to add studs for pivot shower door support.
- Ensure fiber or other soft insulation does not drop down into the water channel. Cover or seal any loose material. Failure to do so may cause wicking of water from the water channel into the insulation which may induce mold, leakage, or mildew. Ensure the channels are free of debris after installation.

IMPORTANT! Construct the floor of plywood. If whirlpool is installed over material other than plywood, friction may cause squeaking over time.

2. Prepare the Subfloor

IMPORTANT! The whirlpool supports must rest directly on a level subfloor.

IMPORTANT! Squeaking may develop if the whirlpool is installed over a subfloor other than plywood. In order to prevent squeaking, place a pad between the whirlpool and the subfloor and positioned under the whirlpool supports. We recommend that the pad be made of spun bonded polyester landscape fabric or spun bonded house wrap material. Do not use roofing felt.

IMPORTANT! The drain line must be installed in accordance with the drain manufacturer's instructions. Locate the drain line and trap using the dimensions given in the "Roughing-In" section.

- For above-the-floor drain installations, cut the hole in the floor for the drain line.
- For through-the-floor drain installations, cut the hole in the floor for the drain assembly. The drain connection should be made directly under the overflow drain. Leave room to connect the piping.
- Ensure that the apron flanges can be secured to the studs or install three 2x4 blocks just behind the apron location.
- Verify the subfloor is level. If the subfloor is not level, proceed to the "Level the Subfloor" subsection below.

If a firewall is required, roughing-in dimensions will have to increase according to the thickness of the firewall material. Stud opening dimensions must be measured toward the exposed side of the wall material.

Carefully measure your fixture before determining enclosure size. Some shimming between the stud frame and the fixture may be required. Dimensions given in the Roughing-In section are crucial for proper installation. Construct the framing and plumbing accurately.

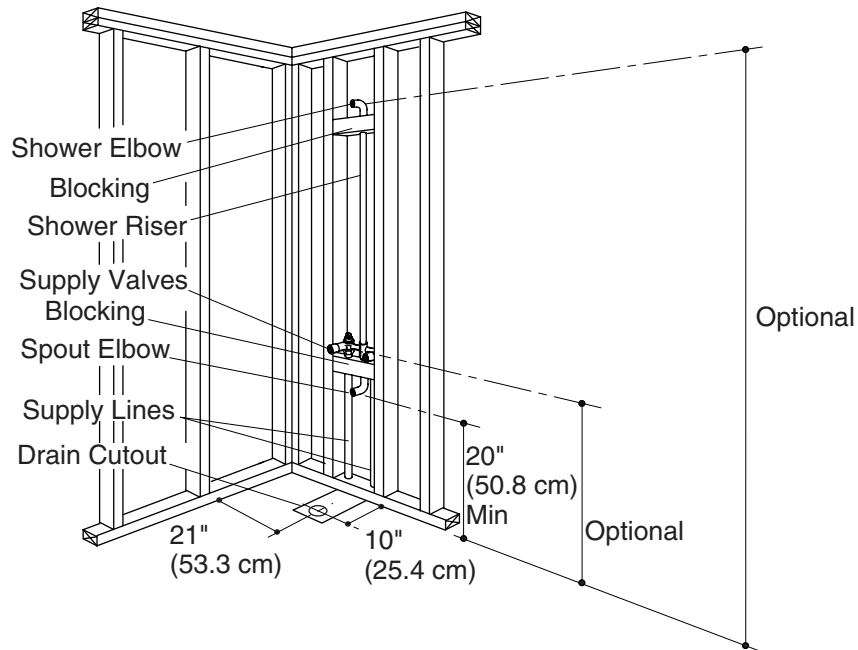
If installing this unit with a shower door, refer to the shower door manufacturer's instructions for any special framing considerations. It may be appropriate to add studs for pivot shower door support.

Level the Subfloor (Optional)

IMPORTANT! If you intend to install this product using a mortar cement bed, do not level the subfloor at this time.

IMPORTANT! Mortar cement is required to level an uneven subfloor. Do not use plaster, gypsum cement, or drywall compound for this application, as these materials do not provide adequate structural support.

- Spread a layer of mortar cement on the subfloor where the whirlpool supports will be located.



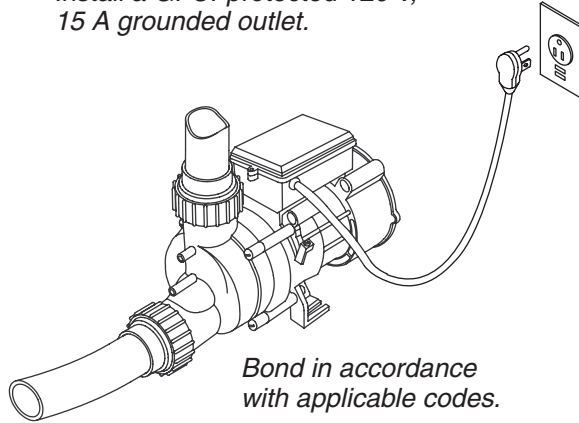
3. Install the Rough Plumbing

NOTE: Provide access to all plumbing connections to simplify future maintenance. Include access at the back of the plumbing wall whenever possible.

NOTE: The plumbing end wall cannot be installed with the spout pipe in place. Use of an elbow fitting is recommended. Once the plumbing end wall is installed, the spout pipe can be threaded or sweated into the elbow. Choose the appropriate elbow fitting for your application based on your access needs. See illustration.

- Install the water supply pipes according to the faucet manufacturer's instructions. Cap the supplies and check for leaks.
- Strap the supply lines to the stud framing.
- Install the shower valving according to the manufacturer's instructions. Do not install the trim at this time.

*Install a GFCI-protected 120 V,
15 A grounded outlet.*



*Bond in accordance
with applicable codes.*

4. Install the Electrical Outlet

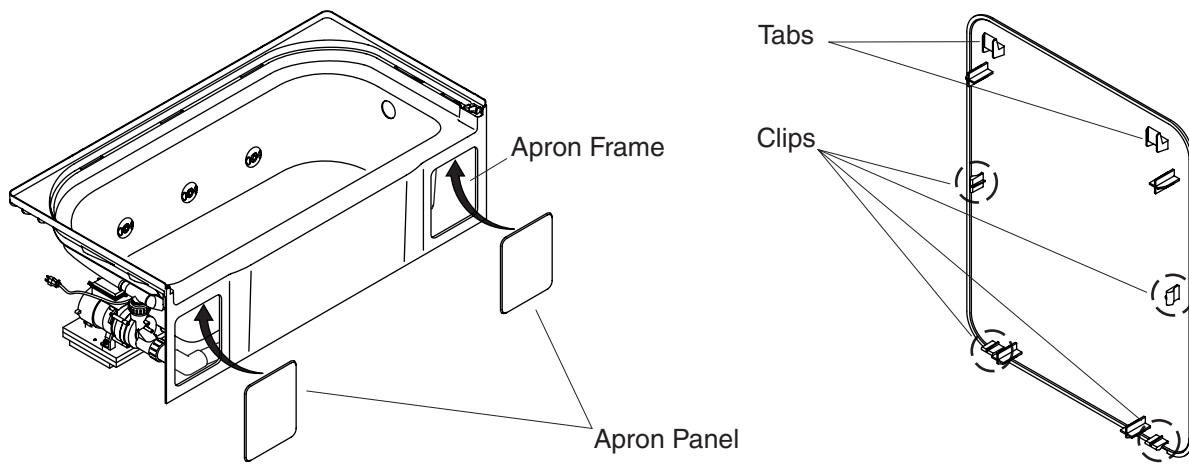


CAUTION: Risk of personal injury. Do not turn on the power until instructed to do so.

NOTE: The whirlpool is equipped with a cord and plug. All pump and control wiring has been completed at the factory.

NOTE: Refer to the label near the pump. This label identifies the electrical rating and model number of the whirlpool.

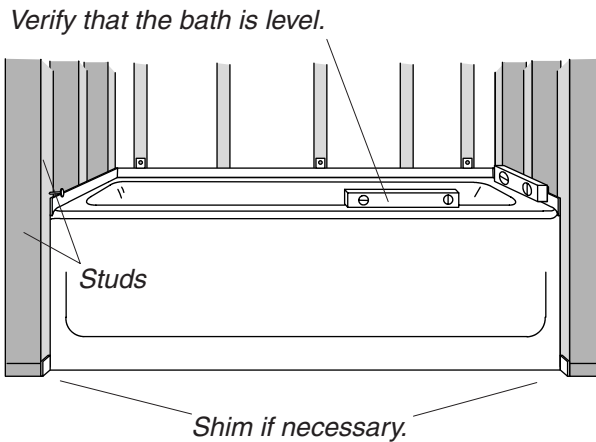
- Install the GFCI-protected, 120 V, 15 A grounded outlet behind the whirlpool and within 24" (61 cm) of the pump's future location. No other load should be on this circuit.
- Install a bonding (grounding) conductor at the future location of the pump in accordance with any applicable local codes.



5. Prepare the Whirlpool and Subfloor

Remove the Apron Access Panel

- Insert a flat-blade screwdriver or other prying tool into one of the four screwdriver slots.
- Use the screwdriver to pry the bottom clip out and release the clip.
- Repeat this procedure at the remaining screwdriver slot.
- When all bottom clips are released, pull the bottom of the panel away from the apron to release the remaining clips.
- When the bottom of the panel is clear, lower the panel until the top of the panel is clear.
- Store the panel in a safe place.



6. Position the Whirlpool

CAUTION: Risk of product damage. Do not lift or move the whirlpool by the apron or apron braces. Verify that the apron braces are attached before installing the whirlpool, then lift the whirlpool by the rim at multiple points.

NOTE: Keep a liner or drop cloth in place in the bottom of the whirlpool until construction is complete.

- Install the drain and overflow assembly to the whirlpool according to the drain manufacturer's instructions.

IMPORTANT! Squeaking may develop if the whirlpool is installed over a subfloor other than plywood. In order to prevent squeaking, place a pad between the whirlpool and the subfloor and positioned under the whirlpool supports. We recommend that the pad be made of spun bonded polyester landscape fabric or spun bonded house wrap material. Do not use roofing felt.

IMPORTANT! Do not remove the clips that are attached to the whirlpool. The clips are required to ensure proper installation of the walls.

- Position the pad under the whirlpool supports.
- Position and adjust the whirlpool until its outside edge is flush with the framing.
- Verify that the whirlpool is level and well supported by the subfloor.
- If the whirlpool is not level, shim using metal, hardwood, or other durable material. Reposition and shim the whirlpool until it is aligned with the framing and level.
- If the whirlpool cannot be directly bonded to the subfloor or if decreased movement is desired, consider installing an optional mortar cement bed.

Install a Mortar Cement Bed (Optional)

NOTE: If a mortar cement bed will be installed, the pad is not required.

- Remove the whirlpool and pad from the alcove.

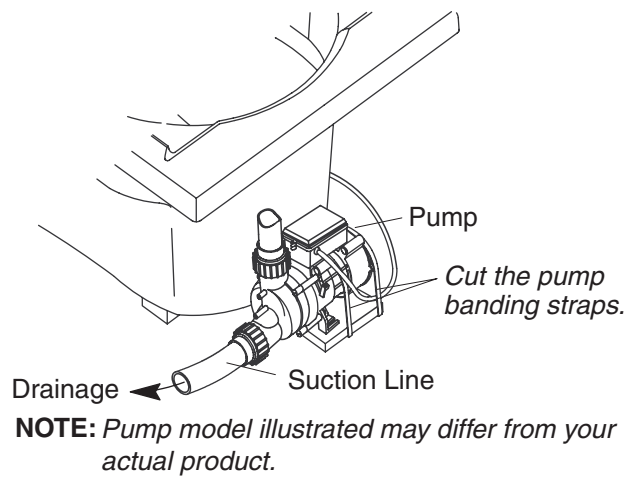
NOTE: Do not use plaster, gypsum cement, or drywall compound for this application, as they will not provide adequate structural support.

NOTE: The whirlpool supports must rest directly on the subfloor.

- Spread a 2" (5.1 cm) layer of mortar cement on the subfloor, spreading it so that each area of the whirlpool that will contact the subfloor has mortar cement. Do not spread the mortar cement around the drain area. Allow room for the mortar cement to expand from the weight of the whirlpool.
- Immediately move the whirlpool into position.

Position the Whirlpool (cont.)

- Verify that the whirlpool is level and resting on all supports.
- Clean the whirlpool to reduce the risk of damaging the surface.
- Place a clean drop cloth or other similar material into the bottom and over the outside edge of the whirlpool. Be careful not to scratch the surface of the unit.



7. Cut the Pump Banding Straps

IMPORTANT! This step is necessary to make your whirlpool operate more quietly.

IMPORTANT! Do not raise the pump higher than it was before you cut the pump banding straps. If the pump is raised too high, it will not prime properly.

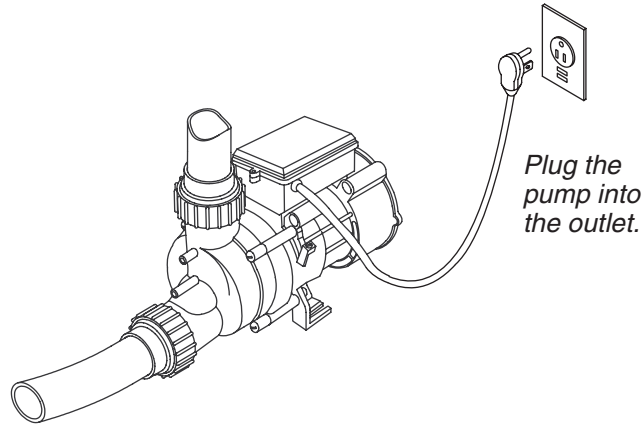
- Cut the two pump banding straps from the whirlpool pump with a pair of tin snips. Discard the banding straps.
- Make sure that the pump is not in direct contact with the whirlpool harness.

8. Install the Drain and Test Piping



CAUTION: Risk of property damage. Make sure that the whirlpool drain has a watertight seal, or the whirlpool may leak.

- Connect the drain to the trap according to the manufacturer's instructions.
- Temporarily install the faucet handles and spout according to the manufacturer's instructions.
- Turn on the hot and cold water supplies.
- Check the supply connections for leakage. Repair any leaks.
- Run the water to flush any debris from the lines.
- Check the drain connections for leakage. Repair any leaks.
- Close the faucet handles.
- Install the showerhead, if applicable.
- Test the showerhead for proper operation.
- Turn off the hot and cold water supplies.
- Remove the showerhead and reinstall the pipe cap.
- Remove the faucet handles and spout according to the manufacturer's instructions.



9. Make Electrical Connections

Make Connections



DANGER: Risk of electric shock. To reduce the risk of electrical shock, connect the pump only to properly installed Ground-Fault Circuit-Interrupters (GFCI). Do not remove the plug grounding pins. Do not use grounding adapters.

- Verify that the air actuator tubing is securely attached to the pump and to the air switch button in the whirlpool. Use a small mirror and flashlight to assist you.
- Make sure that the tubing is not kinked or damaged, and that the tubing slips into place on adapters at the switch and at the pump. Make any required corrections to the air actuator tubing.
- Visually inspect the whirlpool pump and piping harness for damage.
- Verify that the bonding conductor is connected to the pump in accordance with the applicable codes.
- Plug the pump's electrical cord into the GFCI outlet.

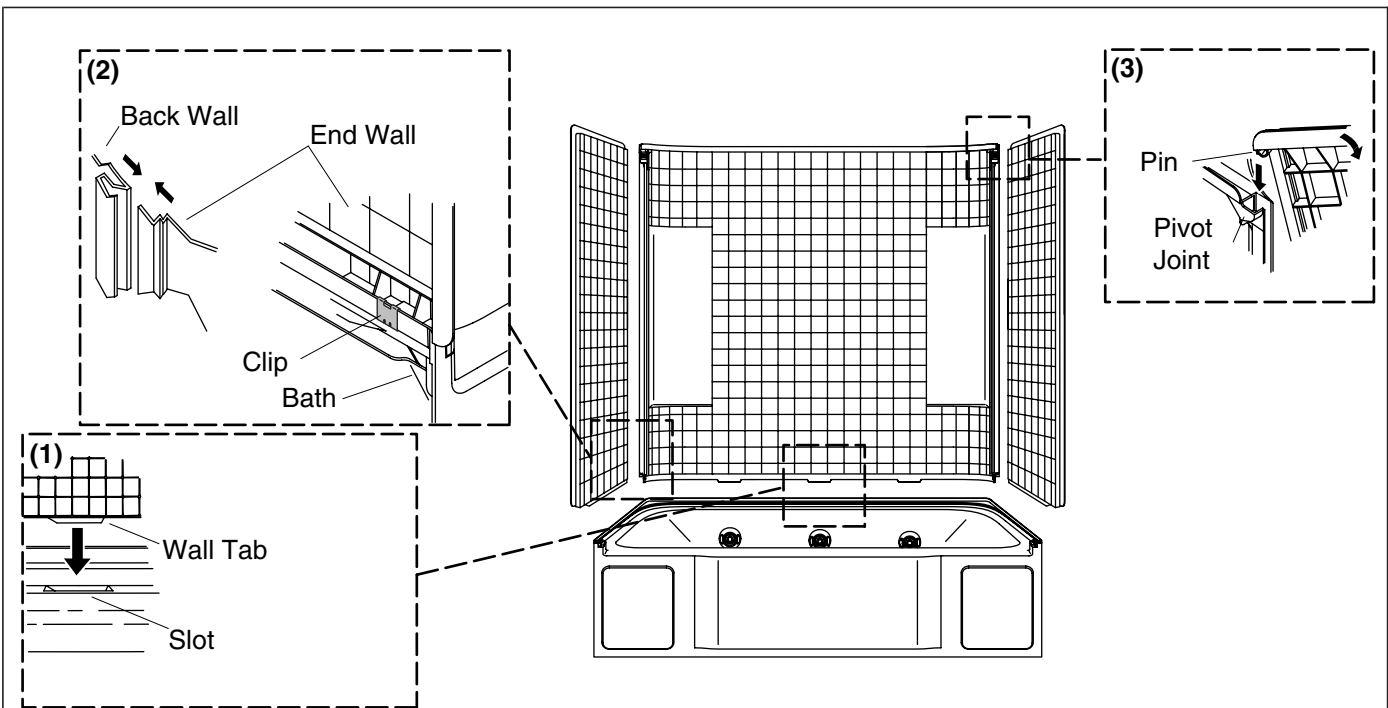
Test Run the Whirlpool

For additional information on whirlpool operation, see the "Confirm Proper Operation" section of this guide.



CAUTION: Risk of property damage. Do not fill the whirlpool above the bottom of the overflow drain. Doing so may cause the whirlpool piping to leak. The whirlpool is not designed to hold water above the overflow.

- Check all electrical connections and make sure that the electrical power to the whirlpool is turned on.
- Verify that the pump banding straps have been cut.
- Fill the whirlpool with water to at least 2" (5.1 cm) above the top of the highest jet.
- Operate the whirlpool for 5 minutes. Check all whirlpool piping connections for leaks.
- Turn off the jets to the whirlpool, then drain the whirlpool. Replace the protective liner or drop cloth.



10. Pre-Fit the Walls to the Whirlpool

IMPORTANT! Install the back wall first.

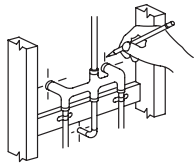
IMPORTANT! Do not secure the walls to the stud framing until instructed to do so.

NOTE: If the shower valves or controls prevent the plumbing wall section from being properly positioned before the necessary holes are cut, cut the holes according to the "Cut the Holes for Valves and Spout" section and then return to this procedure.

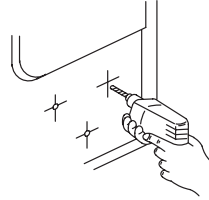
- Ensure the whirlpool surface is free of debris. This will minimize the gaps between the wall surrounds and the whirlpool surface.
- Position the back wall with the wall tabs engaged in the whirlpool slots, and the clips are locked behind the back wall. **(1)(2)**
- Position the end wall top pins into the back wall pivot joint and pivot the wall into position until the retention clips lock behind the end wall. **(3)**

NOTE: If holes for plumbing fixtures need to be drilled, remove the clips prior to assembling the end wall. Reattach the clips for final assembly of the wall set.

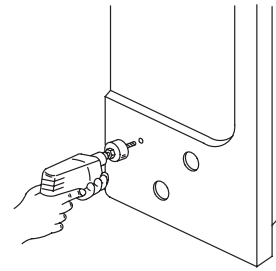
- Verify that the end walls are flush against the edge of the whirlpool. If adjustment is needed, push or pull the whirlpool to allow the end walls to rest on the whirlpool.
- Push the whirlpool into position and verify that all walls are properly aligned with the studs at the top and vertical wall flanges. If needed, add shims to bring the studs into contact with the walls.



1. Mark center of valves and spout.



2. Drill pilot holes.



3. Cut holes.

11. Cut the Holes for Valves and Spout



CAUTION: Risk of product damage. Failure to follow directions regarding your blade's cutting direction may damage the plumbing end wall finish. Cut the holes from the **front side of the wall** for: hole saws, rotary tools, hand-held jigsaws, or other saws with a blade that cuts on the push stroke. Cut the holes from the **back side of the wall** for other reciprocating saws with a blade that cuts on the pull stroke.

Prepare the Plumbing End Wall

NOTE: Holes for the mixing valve, shower, and spout must be cut into the plumbing end wall.

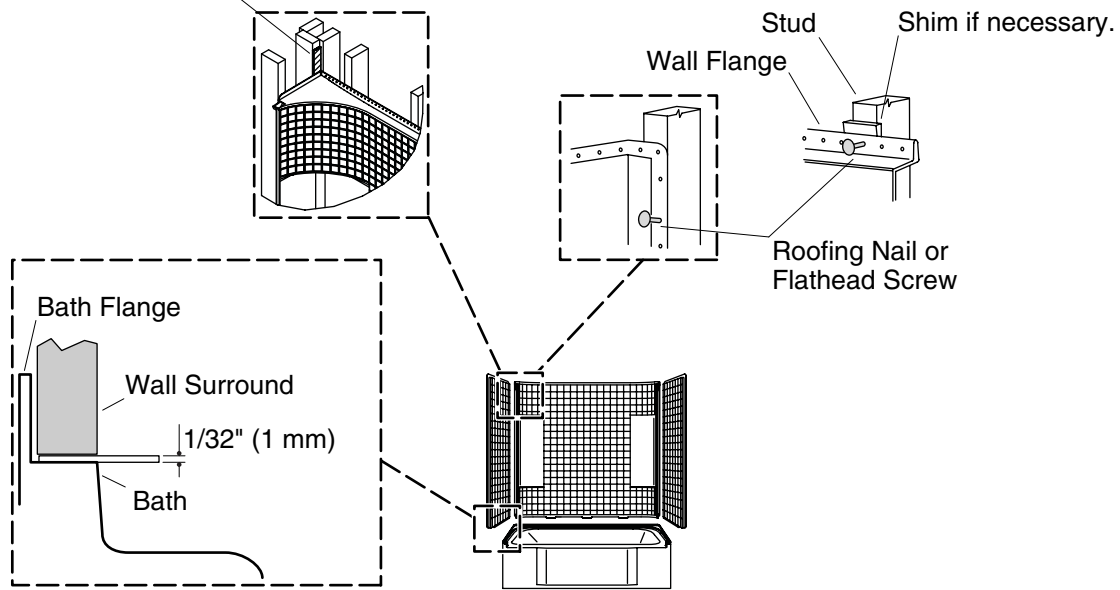
- Refer to the trim manufacturer's instructions for necessary hole sizes. Verify that any escutcheon, flange, or cover plate is large enough to cover the hole for the component.
- Lay out and mark the centerline location for the mixing valve, shower, and spout on the **back side of the end wall. (1)**
- Drill 1/4" (6 mm) pilot holes at the marked locations from the **back side of the end wall. (2)**
- Carefully cut the fitting holes to the correct diameter. **(3)** Refer to the trim manufacturer's instructions for proper diameter.
- Carefully clean any debris from the whirlpool to reduce the risk of surface damage.

Optional Accessories

IMPORTANT! Do not install accessories that require backing or support. Installations that require drilling into the wall surrounds are not recommended. Such installation could void the warranty.

- Refer to the accessory manufacturer's instructions for proper installation.
- If drilling is required, mark and drill the mounting locations for your accessory on the **back side of the wall**. Do not secure the accessory at this time.

Add furring strips as needed to support drywall.



12. Secure the Wall Surrounds



CAUTION: Risk of property damage. Wall surrounds must rest within $1/32''$ (1 mm) (the thickness of a credit card) from the whirlpool rim to ensure proper water management and to prevent leakage.

- Ensure that the wall surrounds are properly secured and seated on the whirlpool. The front edges of the end walls must be flush with the front edge of the whirlpool. If a gap exists, pull the end walls slightly forward.
- The width of the back wall is narrower in the back corner. Add furring strips as needed to support the drywall. If furring strips are not used, drywall installation may be more difficult.



CAUTION: Risk of product or property damage. If using non-tapered flathead screws rather than roofing nails, **do not overtighten the screws.** Excessive tightening can damage the wall flange.

- Starting from the bottom of the end walls and working up, secure the end walls to the studs approximately every 12" (30.5 cm). If roofing nails are used, nail through the dimples on the wall flanges. If using non-tapered flathead screws, drill through the dimples on the wall flanges. Do not overtighten the non-tapered flathead screws.

NOTE: Leave a $1/8''$ (3 mm) gap between the edge of the wall surround and the finished wall material. When sealed, this gap will reduce the possibility of water seeping into the wall material.

- Ensure fiber or other soft insulation does not drop down into the water channel. Cover or seal any loose material. Failure to do so may cause wicking of water from the water channel into the insulation which may induce mold, leakage, or mildew. Ensure the channels are free of debris after installation.
- Secure the wall flanges across the top of the wall surrounds at every stud location. Add shims if necessary to bring the studs into contact with the whirlpool flange.
- Cover the framing around the wall surrounds with water-resistant wall material. If covering the top wall flanges with water-resistant wall material, a furring strip approximately $1/4''$ (6 mm) thick will be required in each of the back corners on the end wall sides.
- Seal the joints between the bath and the finished wall material with 100% silicone sealant. If desired, the top horizontal seam between the back wall and the end wall can also be sealed. Allow the silicone sealant to cure according to the sealant manufacturer's instructions.

13. Complete the Installation



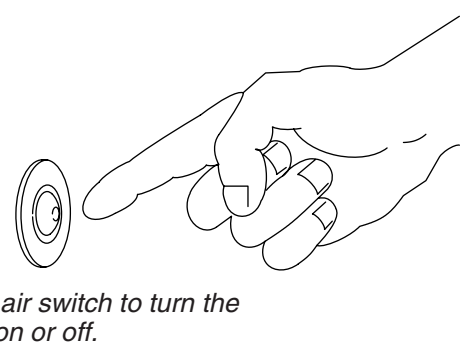
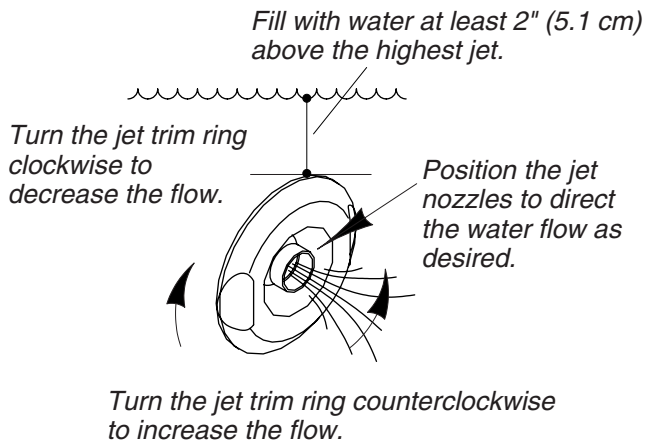
CAUTION: Risk of property damage. Make sure that a watertight seal exists around the drain and overflow.

- Connect the drain to the trap according to the drain manufacturer's instructions.
- Install the faucet trim, whirlpool spout, shower door, and any accessories according to each manufacturer's instructions.
- Remove the protective covering from the whirlpool.
- Open the water supply lines, then run the water to flush out any debris.
- Close the valves.
- Install the showerhead according to the manufacturer's instructions.
- Check all connections for leaks.



CAUTION: Risk of property damage. If holes have been or must be drilled to properly install your accessory, we recommend applying 100% silicone sealant into the drilled holes before securing the accessory to the wall surround to avoid possible water damage. Follow the accessory manufacturer's instructions. Improperly installed accessories could cause leaks and may void the warranty.

- If applicable, apply 100% silicone sealant into the previously drilled holes in the wall surround. Refer to the accessory manufacturer's instructions to properly secure the accessory to the wall surround.
- If applicable, install all other accessories according to the manufacturer's instructions.
- If a shower door will be installed, apply 100% silicone sealant in the gap where the front edges of the end walls meet the whirlpool surface. This will prevent water from passing through the shower door extrusion to the back side of the wall. Refer to the shower door manufacturer's instructions to complete the shower door installation. Only apply silicone sealant where instructed to do so.
- If a shower curtain will be used, ensure the rod is installed above the wall surrounds.



14. Confirm Proper Operation

Please read these steps carefully before you operate your whirlpool.

- Verify all electrical connections.
- Verify that the pump banding straps have been cut.
- Close the circuit breaker for the whirlpool pump.

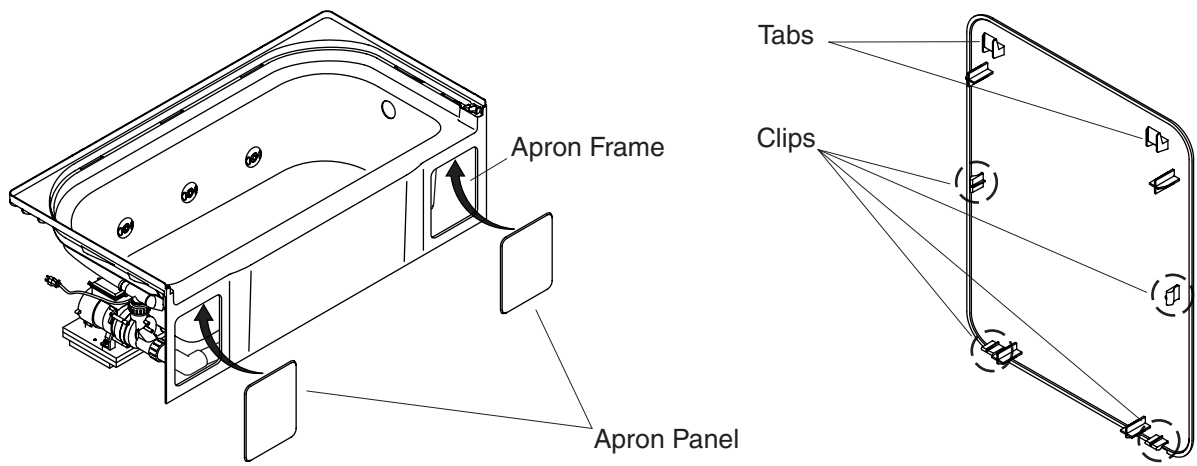
Fill the Whirlpool

- Fill the whirlpool to at least 2" (5.1 cm) above the top of the highest jet.

Operating Sequence

NOTE: If you encounter problems with the operating sequence, refer to the "Troubleshooting Table" section in this manual and in the Homeowners Guide. The Homeowners Guide also includes warranty information.

- Press the air actuator to turn on the whirlpool jets.
- Verify that the pump starts and operates without excessive noise or vibration.
- Verify that water is circulating and flowing from each jet.
- Adjust each large jet for optimum flow. Turn the trim ring clockwise to decrease the flow, and counterclockwise to increase the flow.
- After 5 minutes, check the piping connections for leaks. Repair any leaks.
- Press the air actuator a second time to turn off the whirlpool.
- Verify that the pump stops.
- Drain the whirlpool.



15. Install the Apron Access Panel

IMPORTANT! Risk of product damage. Ensure that the tabs are aligned before pressing the apron panel in place. Improper alignment can damage the clips.

- Ensure that the apron area is free from obstructions.
- Position the apron panel in the apron frame.
- Slide the apron panel tabs up under the apron frame until the tabs engage and all clips align with the apron frame opening.
- Press the center of the apron panel until it snaps into place.
- Repeat for the second apron panel.

Troubleshooting Table

This troubleshooting guide is for general aid only. An Authorized Service Representative or qualified electrician should correct all electrical problems. For warranty service, contact your dealer or wholesale distributor.

Symptoms	Probable Causes	Recommended Action
1. Whirlpool does not start/stop.	A. No power to the pump motor.	A. Set/Reset the GFCI breaker. Check the wiring.
	B. Air actuator does not work.	B. Replace air actuator. Check air tube between air actuator and pump. Replace if necessary.
	C. Motor/pump does not work.	C. Rebuild or replace motor/pump.
2. Motor starts, but all jets are not functioning.	A. Jet is closed.	A. Rotate jet trim ring counterclockwise to open.
	B. Jet is blocked.	B. Remove the blockage.
3. Whirlpool stops automatically.	A. GFCI trips.	A. Identify source of fault, and correct.
	B. Suction blocked.	B. Remove obstruction.
	C. Jets are blocked.	C. Remove blockage.
	D. Motor overheated and protection device activated.	D. Check for blockage at motor vents. Remove blockage and allow motor to cool.
4. Noisy operation.	A. Pump banding straps have not been cut.	A. Cut pump banding straps with a pair of tin snips.
5. Leakage is detected under the whirlpool.	A. Piping leaks.	A. Repair any piping leaks.

Troubleshooting Table (cont.)

Symptoms	Probable Causes	Recommended Action
	B. Sealant or gasket failure at holes through finished walls, shower door, or wall surrounds.	B. Replace any defective gaskets or seals. Apply clear 100% silicone sealant as required.
6. Mold or mildew detected (for units with wall surrounds).	A. Blocked channel drainage.	A. Use a sharp wooden or plastic object to scrape any buildup from the seam. Increase the frequency of cleaning.
7. Water damage at finished walls.	A. Seam at finished wall not sealed.	A. Seal the seam with clear 100% silicone sealant, following the manufacturer's instructions.

Guide d'installation

Baignoire à hydromassage et murs avoisinants

Renseignements importants



AVERTISSEMENT : Des précautions de base seront observées pour l'installation d'équipements électriques, incluant :



DANGER : Risque d'électrocution. Afin de réduire les risques de choc électrique, raccorder uniquement à une prise de terre, protégée par un disjoncteur différentiel (GFCI). Ne pas retirer les broches de mise à la terre. Ne pas utiliser d'adaptateurs de mise à la terre.



AVERTISSEMENT : Risque de blessures ou d'endommagement du matériel. Veuillez lire avec attention les instructions avant de commencer l'installation, incluant les exigences suivantes:



AVERTISSEMENT : Risque d'électrocution. Un électricien qualifié devrait effectuer toutes les connexions électriques.



AVERTISSEMENT : Risque d'électrocution. Débrancher l'alimentation avant de procéder à l'entretien.

Les matériaux de construction et le câblage devraient être acheminés loin du corps de la pompe et des autres composants qui dégagent de la chaleur de l'unité.

REMARQUE : Respecter tous les codes de plomberie, d'électricité et de bâtiment locaux.

Information sur le produit

Branchements électriques requis

REMARQUE : Si le câble d'alimentation est endommagé, il doit être remplacé par le fabricant, son représentant ou autre personnel similaire qualifié pour éviter tout danger.

- L'installation doit inclure un Disjoncteur de Fuite de Terre de Classe A (GFCI). Le disjoncteur GFCI protège contre les risques de chocs. Utiliser une alimentation de 120 V, 15 A, 60 Hz dédiée à la baignoire à hydromassage.

Notices du produit



AVERTISSEMENT : Des modifications non approuvées de la pompe pourraient provoquer un fonctionnement dangereux ou une pauvre performance de la baignoire à hydromassage. Ne pas déplacer la pompe de la baignoire à hydromassage ou effectuer d'autres modifications au système d'hydromassage car cela pourrait affecter les performances et la sécurité de la baignoire à hydromassage. Sterling Plumbing décline toute responsabilité quant aux blessures ou endommagements causés par des modifications non autorisées.

Pièces assemblées en usine

- Les composants installés en usine comportent: une pompe avec le câble d'alimentation, un interrupteur d'air, et des jets d'hydromassage avec raccord d'aspiration.

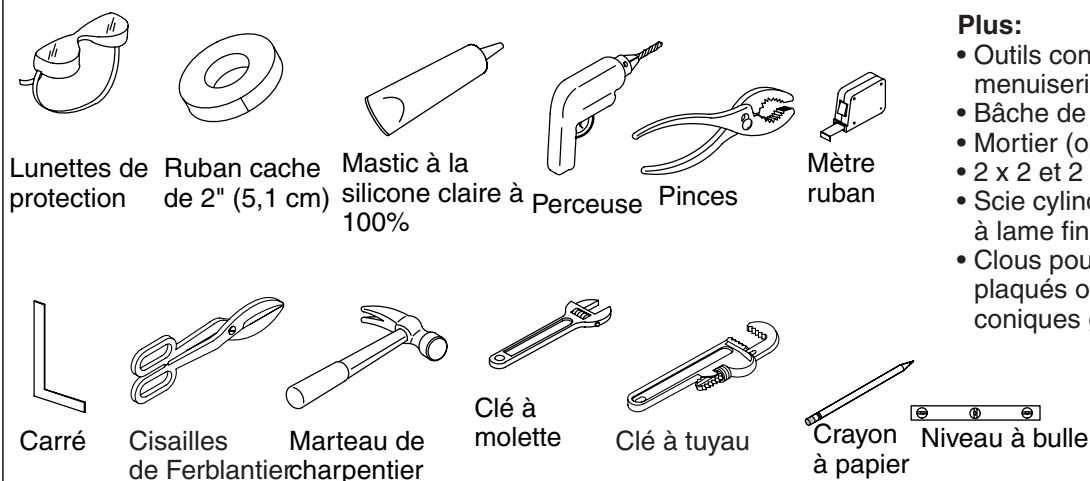
Connexions et accès pour l'entretien

- S'assurer d'avoir suffisamment d'accès pour les connexions finales avant l'installation.

Sommaire

Renseignements importants	1
Outils et matériels	2
Merci d'avoir choisi Sterling	2
Avant de commencer	2
Plan de raccordement	5
Construire un nouveau cadrage	5
Préparer le plancher	6
Installer la plomberie de raccordement	8
Installer la prise de courant	9
Préparer la baignoire à hydromassage et le plancher	10
Positionner la baignoire à hydromassage	11
Sectionner les sangles de retenue de la pompe	13
Installer le drain et la tuyauterie test	13
Faire les connexions électriques	14
Préparer les murs pour la baignoire à hydromassage	15
Découper les orifices pour les valves et le bec	16
Sécuriser les murs avoisinants	17
Compléter l'installation	18
Confirmer le bon fonctionnement	19
Retirer le panneau d'accès du bandeau	20
Tableau de dépannage	20

Outils et matériels



Plus:

- Outils conventionnels de menuiserie et matériels
- Bâche de protection
- Mortier (optionnel)
- 2 x 2 et 2 x 4 ou 2 x 6
- Scie cylindrique ou scie sauteuse à lame fine (32 dents par 2,5 cm)
- Clous pour toiture galvanisés ou plaqués ou vis à tête plate non coniques galvanisés

Merci d'avoir choisi Sterling

Nous apprécions votre engagement envers la qualité Sterling. Veuillez prendre s'il vous plaît quelques minutes pour lire ce manuel avant de commencer l'installation. Ne pas hésiter pas à nous contacter en cas de problème d'installation ou de fonctionnement. Nos numéros de téléphone sont listés dans ce manuel. Merci encore d'avoir choisi Sterling.

Avant de commencer



ATTENTION : Risque d'endommagement du produit. Installer la baignoire à hydromassage sur un plancher proprement nivelé. L'espace du bassin ne nécessite pas de support additionnel lorsque le plancher est nivelé et d'équerre avec les montants du cadre. Utiliser des cales pour un support additionnel si le plancher est irrégulier. Ne pas installer la baignoire à hydromassage sur des charpentes exposées du sol.

Avant de commencer (cont.)



ATTENTION : Risque d'endommagement du produit. Ne pas retirer le renfort de mousse des sections de mur avoisinant. Les sections murales sont équipées d'un renfort de mousse faite pour connecter l'arrière du mur avec le cadre de montant régulier. Cette mousse n'est pas un matériel d'emballage.



ATTENTION : Risque d'endommagement du matériel. N'appliquer que du mastic à la silicone aux emplacements indiqués. Ne pas rajouter de mastic à la silicone à d'autres endroits. L'utilisation non-appropriée du mastic à la silicone peut renfermer de l'humidité et créer ainsi des fuites ou de la moisissure. Pour des installations de baignoire à hydromassage uniquement, un mastic à la silicone à 100% est requis aux joints des murs et de la baignoire à hydromassage. Nous conseillons d'utiliser un mastic à la silicone à 100% coloré pour s'assortir à la couleur du produit. L'usage de latex ou d'autres mastics n'est pas recommandé. Si une porte de douche sera ajoutée, vous serez instruit d'appliquer du mastic à la silicone au point de rencontre des rebords avants des murs avoisinants et de la baignoire à hydromassage. Ceci préviendra l'eau de passer à travers le profilé de la porte de douche à l'arrière du mur. Suivre les instructions du fabricant de la porte de douche et du mastic à la silicone.



ATTENTION : Risque d'endommagement du produit. Ne pas soulever la baignoire à hydromassage par le bandeau. Soulever la baignoire à hydromassage par le rebord à de multiples points. Les baignoires à hydromassage en emballage unique sont livrées avec des bandeaux de renfort en position fermée. Les baignoires à hydromassage en plusieurs emballages sont livrées avec un ou plusieurs bandeaux de renfort déconnectés au niveau du bandeau. Connecter les renforts du bandeau au bandeau **avant** de retirer l'unité de l' (les) emballage(s).



ATTENTION : Risque d'endommagement du produit. Pour éviter les marques de rouille sur le produit, s'assurer que des clous pour toiture ou des vis à tête plate non coniques soient galvanisées ou plaquées. Si des vis à tête plate non coniques sont galvanisées ou plaquées sont utilisées, **ne pas trop serrer les vis**. Un serrage excessif peut endommager la bride du mur. Consulter les codes de bâtiment locaux pour déterminer si les vis ou clous doivent être galvanisés ou plaqués.

IMPORTANT ! La baignoire à hydromassage ne peut pas être installée sans les murs avoisinants.

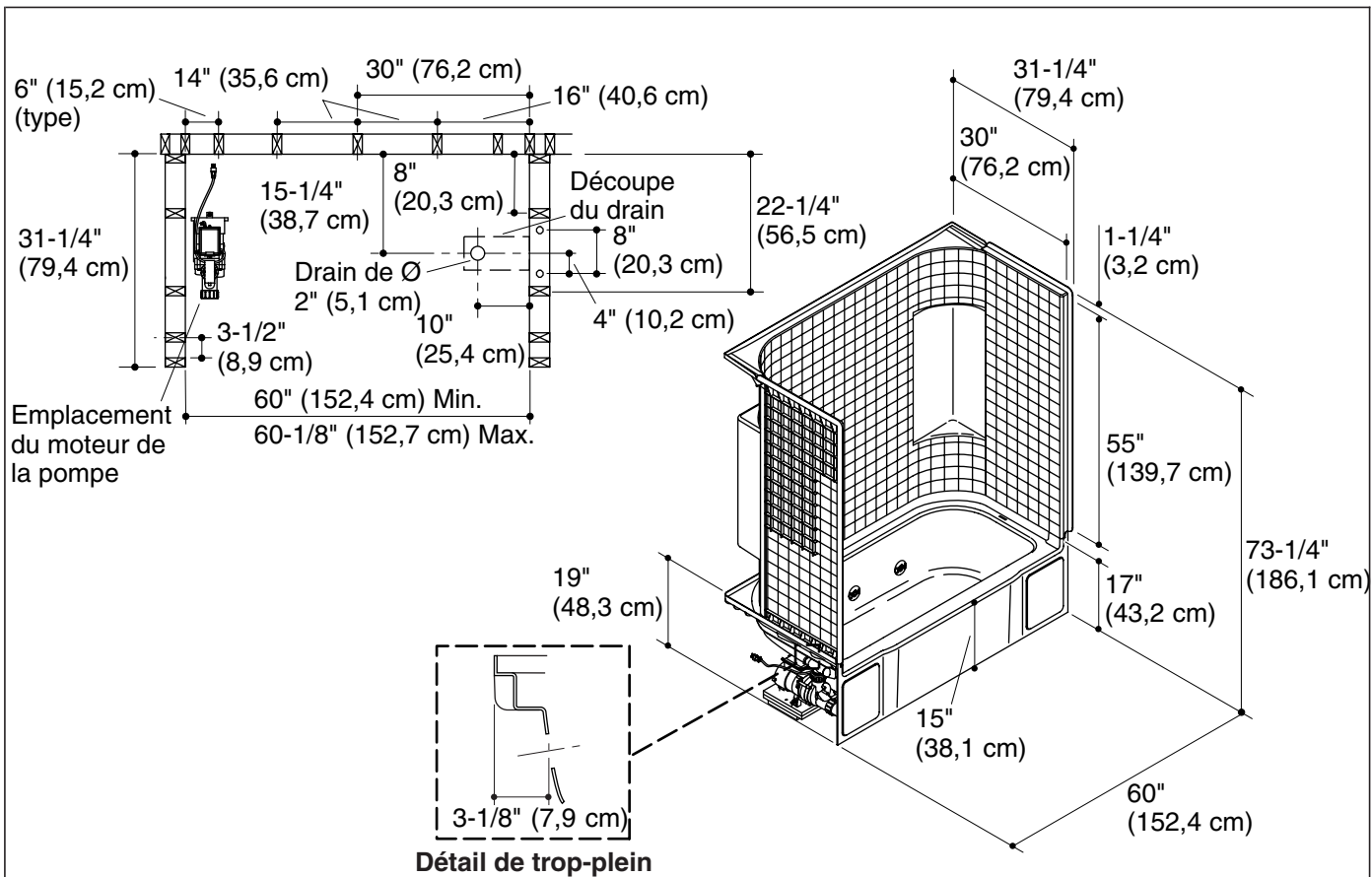
IMPORTANT ! Si la baignoire à hydromassage est expédiée avec une couverture de protection, conserver celle-ci jusqu'à la construction complète pour éviter l'endommagement de la surface de l'unité. Si la poche de protection n'est pas présente, placer une bâche de protection ou matériau similaire dans le fond de la baignoire à hydromassage.

IMPORTANT ! Risque d'endommagement du produit. Ne pas installer la baignoire à hydromassage sur des charpentes exposées du sol. L'espace du bassin ne nécessite pas de support additionnel lorsque le plancher est nivelé et d'équerre avec les montants du cadre. Installer la baignoire à hydromassage sur un plancher proprement nivelé. Utiliser des cales pour un support additionnel si le plancher est irrégulier.

- Lire toutes les instructions avant de commencer.
- Respecter tous les codes locaux applicables de plomberie, électriques et de bâtiment.
- Cette baignoire à hydromassage est conçue pour des installations en alcôve.
- Au moment de la réception, vérifier s'il y a des pièces manquantes ou endommagées. Reporter immédiatement tout endommagement ou toute pièce manquante.
- Ne pas retirer le vieil appareil avant d'avoir déballé et examiné le nouveau.
- Conserver la baignoire à hydromassage et les murs avoisinants dans un endroit protégé en attendant de commencer l'installation pour éviter tout endommagement.
- Dans le cas d'une rénovation, mesurer l'espace existant avant de retirer l'ancienne baignoire à hydromassage pour s'assurer que la nouvelle baignoire à hydromassage s'ajuste. S'assurer que le drain soit en position correcte.
- S'assurer qu'il y ait un espace adéquat de connexion pour l'alimentation d'eau et l'installation de drain.
- Le panneau du bandeau n'est pas amovible sur les unités de baignoires à hydromassage.

Avant de commencer (cont.)

- Ne pas hésiter à contacter Sterling entre 7 heures et 18 heures CST en cas de problème d'installation ou de fonctionnement. 1-888-STERLING aux É.U. ou 001-877-680-1310 au Mexique.
- Ne pas retirer la poche de protection de la baignoire à hydromassage si cette dernière a été expédiée avec, jusqu'au moment de l'installation de l'unité. Si la poche de protection n'est pas présente, placer un tissu en toile ou texture similaire dans le fond de la baignoire.
- Sterling se réserve le droit d'apporter des modifications sur le design des produits sans avis préalables, comme spécifié dans le catalogue des prix.



Plan de raccordement

IMPORTANT ! Toutes les dimensions sont nominales. L'espacement du montant est de $+1/8"$ (3 mm)/-0. Mesurer soigneusement votre appareil avant d'en déterminer la taille de son logement. Un calage entre le cadre du montant et l'appareil sanitaire pourrait être nécessaire. Si un pare-feu est requis, les dimensions de raccordement devront augmenter en fonction de l'épaisseur du matériau du pare-feu. Les dimensions d'ouverture des montants doivent être mesurées vers le côté exposé du matériau du mur. Les dimensions fournies dans le plan du raccordement sont cruciales pour une bonne installation. Construire le cadre et la plomberie avec exactitude.

En cas d'installation de cette baignoire à hydromassage avec porte de douche, consulter les instructions du fabricant de la porte de douche pour toutes spécifications particulières du cadrage.

1. Construire un nouveau cadrage

REMARQUE : Se référer à la section "plan de raccordement" pour les dimensions.



AVERTISSEMENT : Risque d'endommagement du produit et de la propriété. La baignoire à hydromassage doit être supportée par le plancher.

Provisions cadrage

- Un plancher doit être installé. La baignoire à hydromassage doit être positionnée de manière à permettre le drainage à travers les charpentes exposées ou dalles et pour faciliter l'installation de la plomberie.

REMARQUE : Si les murs avoisinants seront installés sur un mur en maçonnerie, prendre des dispositions pour les connexions de la plomberie. Pour la plomberie, construire un cadre séparé à un minimum de 6" (15,2 cm) du mur en maçonnerie. Pour les autres murs, utiliser des tasseaux de 2x2 pour simuler l'emplacement des cales.

Construire un nouveau cadrage (cont.)

- S'assurer que le montant extérieur est positionné avec les brides du mur verticales 31-1/4" (79,4 cm) du mur arrière. Le rebord extérieur du montant devrait s'aligner avec le rebord de la bride du mur.

IMPORTANT ! Les accessoires qui requièrent un renfort ou un support ne sont pas recommandés pour cette installation. Installer ces accessoires pourrait annuler la garantie.

- En cas d'installation de cet appareil sanitaire avec porte de douche, consulter les instructions du fabricant de la porte de douche pour toutes spécifications particulières du cadrage. Il pourrait être approprié de rajouter des cales pour supporter le pivot de la porte de douche.
- S'assurer que de la fibre ou autre isolation souple ne tombe pas dans le canal d'eau. Couvrir ou sceller tout matériau libre. Le cas échéant peut causer une infiltration d'eau du canal d'eau dans l'isolation entraînant de la moisissure, fuite. S'assurer que les canaux soient libres de tout débris après l'installation.

IMPORTANT ! Construire le sol en contreplaqué. Si la baignoire à hydromassage est installée sur du matériau autre que du contreplaqué, de la friction pourrait causer un grincement au fil du temps.

2. Préparer le plancher

IMPORTANT ! Les supports de la baignoire à hydromassage doivent reposer directement sur un plancher nivelé.

IMPORTANT ! Des grincements peuvent avoir lieu si la baignoire à hydromassage est installée sur un plancher autre que contreplaqué. Pour éviter les grincements, placer un patin entre la baignoire à hydromassage et le plancher et sous les supports de baignoire à hydromassage. Nous recommandons un patin fait en polyester filé pour jardinage ou matériau de couverture de maison. Ne pas utiliser de goudron.

IMPORTANT ! La ligne du drain doit être installée conformément aux instructions du fabricant. Localiser la ligne du drain et le siphon en utilisant les dimensions données dans la section "Raccordement" de ce guide.

- Pour les installations de drain au-dessus du sol, découper le trou dans le sol pour la ligne du drain.
- Pour les installations de drain dans le sol, découper le trou dans le sol pour la ligne du drain. La connexion du drain devrait être effectuée directement sous le drain du trop-plein. Laisser de l'espace pour connecter la tuyauterie.
- S'assurer que les brides du bandeau peuvent être sécurisés aux montants ou installer trois blocs de 2x4 juste derrière l'emplacement du bandeau.
- Vérifier que le plancher est nivelé. Si le plancher n'est pas nivelé, procéder à la section "Niveler le plancher" ci-dessous.

Si un pare-feu est requis, les dimensions de raccordement devront augmenter en fonction de l'épaisseur du matériau du pare-feu. Les dimensions d'ouverture des montants doivent être mesurées vers le côté exposé du matériau du mur .

Mesurer avec précision l'appareil sanitaire avant de déterminer la taille capacitaire. Un calage entre le cadre du montant et l'appareil sanitaire pourrait être nécessaire. Les dimensions fournies dans le plan de raccordement sont cruciales pour une bonne installation. Construire le cadre et la plomberie avec exactitude.

En cas d'installation de cet appareil sanitaire avec porte de douche, consulter les instructions du fabricant de la porte de douche pour toutes spécifications particulières du cadrage. Il pourrait être approprié de rajouter des cales pour supporter le pivot de la porte de douche.

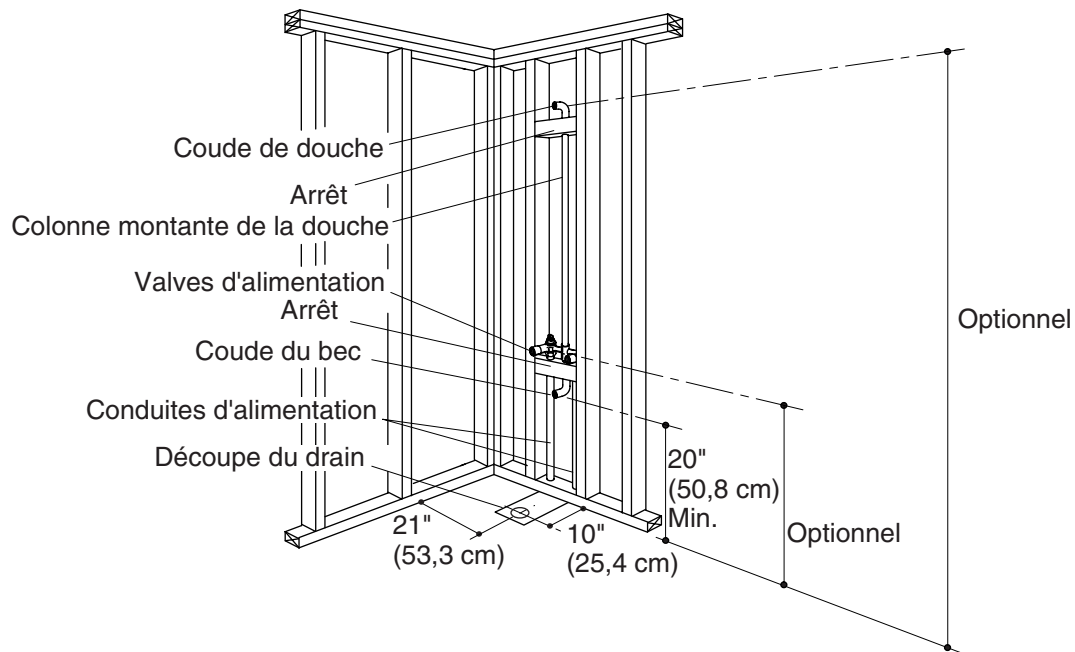
Niveler le plancher (optionnel)

IMPORTANT ! Si ce produit est destiné à être installé en utilisant du mortier, ne pas niveler le plancher à cet instant.

Préparer le plancher (cont.)

IMPORTANT ! Du mortier est requis pour niveler un plancher. Ne pas utiliser de plâtre dur ou de pâte à joint pour cette application car ces produits ne procurent pas de support structurel adéquat.

- Étendre une couche de mortier sur le plancher à l'emplacement des supports de baignoire à hydromassage.



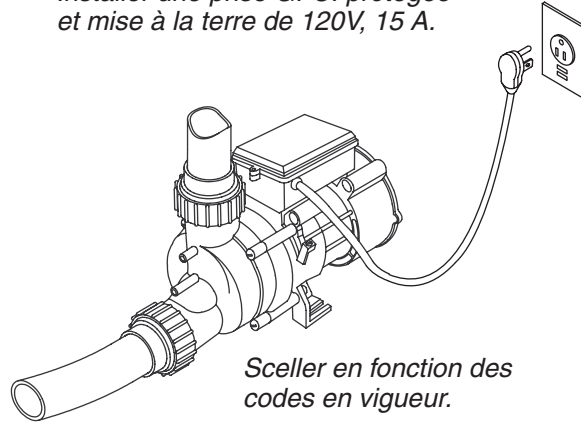
3. Installer la plomberie de raccordement

REMARQUE : Prévoir un accès à toutes les connexions de la plomberie pour faciliter tout entretien futur. Inclure un accès à l'arrière du mur de plomberie là où c'est possible.

REMARQUE : Le mur d'extrémité de plomberie ne peut pas être installé avec le tuyau du bec en place. L'utilisation d'un raccord en coude est recommandée. Une fois le mur d'extrémité de plomberie installé, le tuyau du bec peut être vissé ou soudé dans le coude. Choisir un raccord en coude approprié pour l'application basé sur les besoins d'accès. Voir l'illustration.

- Installer les tubes d'alimentation d'eau conformément aux instructions du fabricant. Boucher les alimentations et vérifier s'il y a des fuites.
- Attacher les lignes d'alimentations au cadrage du montant.
- Installer la robinetterie de la douche conformément aux instructions du fabricant. Ne pas installer la bague à ce moment.

*Installer une prise GFCI protégée
et mise à la terre de 120V, 15 A.*



*Sceller en fonction des
codes en vigueur.*

4. Installer la prise de courant

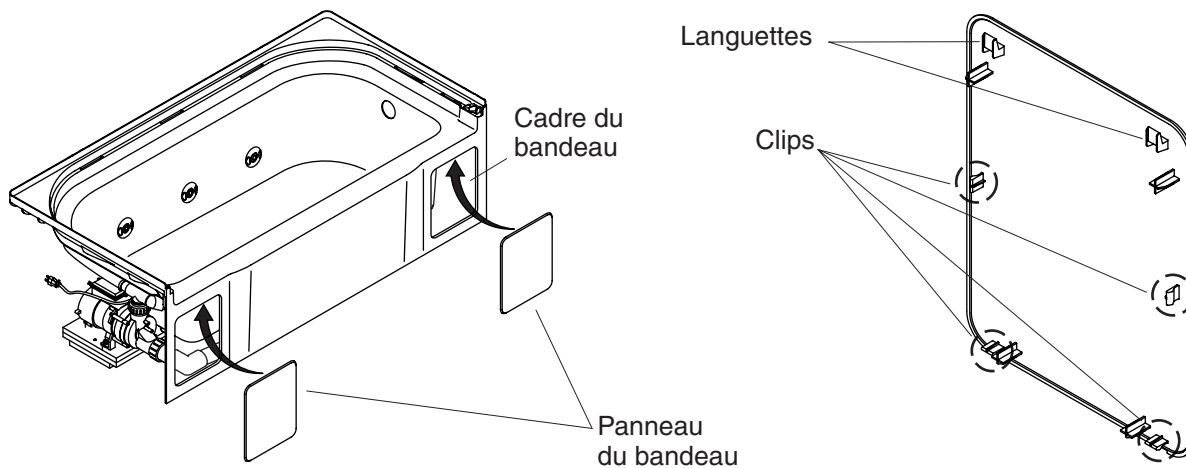


ATTENTION : Risque de blessures corporelles. Ne pas alimenter avant l'instruction de le faire.

REMARQUE : La baignoire à hydromassage est équipée d'une prise et d'un cordon d'alimentation. Tous les câblages de la pompe et de la commande ont été effectués en usine.

REMARQUE : Se référer à l'étiquette près de la pompe. Cette étiquette identifie le calibre électrique et le numéro de modèle de la baignoire à hydromassage.

- Installer une prise GFCI protégée et mise à la terre, de 120V, 15 A derrière la baignoire à hydromassage et à 24" (61 cm) de l'emplacement futur de la pompe. Aucune autre charge ne doit être montée sur ce circuit.
- Installer un conducteur à l'emplacement futur de la pompe selon tout code local applicable.

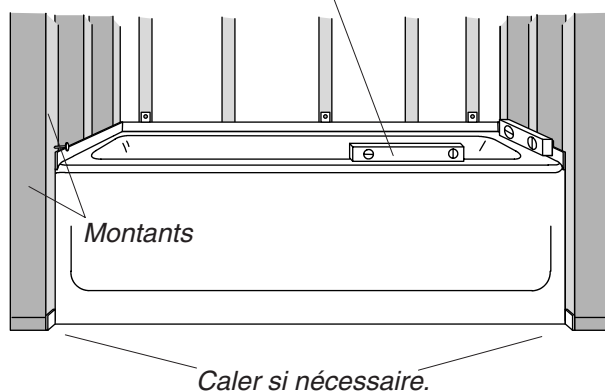


5. Préparer la baignoire à hydromassage et le plancher

Retirer le panneau d'accès du bandeau

- Insérer un tournevis à tête plate ou autre outil à chacun des quatre emplacements pour tournevis.
- Utiliser le tournevis pour dégager le clip inférieur et libérer le clip.
- Répéter cette procédure à la rainure de tournevis restante.
- Lorsque les clips inférieurs sont relâchés, tirer le dessous du panneau à l'écart du bandeau afin de relâcher les clips restants.
- Lorsque la base du panneau est dégagée, baisser le panneau jusqu'à en dégager le dessus.
- Ranger le panneau dans un endroit sûr.

Vérifier que la baignoire est nivelée.



6. Positionner la baignoire à hydromassage

ATTENTION : Risque d'endommagement du produit. Ne pas soulever ni déplacer la baignoire à hydromassage par le bandeau ou des montants du bandeau. Vérifier que les renforts du bandeau sont attachés avant d'installer la baignoire à hydromassage, puis soulever la baignoire à hydromassage par le rebord à des points multiples.

REMARQUE : Garder une bâche de protection en place au fond de la baignoire à hydromassage jusqu'à ce que la construction soit complète.

- Installer les raccords du drain et du trop plein à la baignoire à hydromassage selon les instructions du fabricant qui accompagnent le produit.

IMPORTANT ! Des grincements peuvent avoir lieu si la baignoire à hydromassage est installée sur un plancher autre que contreplaqué. Pour éviter les grincements, placer un patin entre la baignoire à hydromassage et le plancher et sous les supports de baignoire à hydromassage. Nous recommandons un patin fait en polyester filé pour jardinage ou matériau de couverture de maison. Ne pas utiliser de goudron.

IMPORTANT ! Ne pas retirer les clips attachés à la baignoire à hydromassage. Les clips sont requis pour assurer une bonne installation des murs.

- Positionner le patin sous les supports de la baignoire à hydromassage.
- Positionner et ajuster la baignoire à hydromassage jusqu'à ce que le rebord extérieur soit égal au cadrage.
- Vérifier que la baignoire à hydromassage soit nivelée et bien supportée par le sol.
- Dans le cas échéant, caler la baignoire à hydromassage en utilisant du métal, bois massif, ou autre matériau durable. Repositionner et caler la baignoire à hydromassage jusqu'à ce qu'elle soit alignée et nivelée avec le cadrage.
- Si la baignoire à hydromassage ne peut directement être attachée au plancher ou si un mouvement diminué est désiré, considérer l'installation d'un lit de mortier optionnel.

Installer un lit de mortier (Optionnel)

REMARQUE : Si un lit de mortier est installé, le coussinet n'est pas requis.

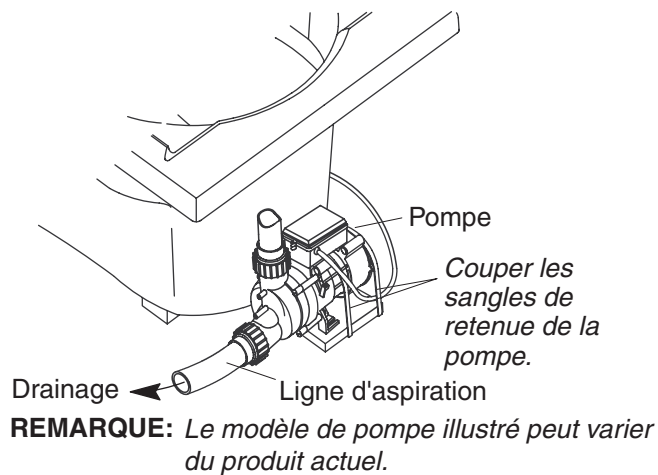
- Retirer la baignoire à hydromassage et le patin de l'alcôve.

REMARQUE : Ne pas utiliser de plâtre dur ou de pâte à joint pour cette application car ces produits ne procurent pas de support structurel adéquat.

REMARQUE : Les blocs de renfort de la baignoire à hydromassage doivent s'appuyer directement sur le plancher.

Positionner la baignoire à hydromassage (cont.)

- Étaler une couche de mortier de 2" (5,1 cm) sur le plancher, de manière à ce que la baignoire à hydromassage soit en contact avec le plancher à mortier. Ne pas étaler le mortier autour du drain. Laisser de l'espace au mortier pour s'étendre par le poids de la baignoire à hydromassage.
- Mettre immédiatement la baignoire à hydromassage en position.
- S'assurer que la baignoire à hydromassage soit nivelée et qu'elle repose sur tous les supports.
- Nettoyer la baignoire à hydromassage pour réduire le risque d'endommagement de la surface.
- Placer une bâche propre ou matière similaire au fond de la baignoire à hydromassage et sur le rebord extérieur de la baignoire à hydromassage. Veiller à ne pas rayer la surface de l'unité.



7. Sectionner les sangles de retenue de la pompe

IMPORTANT ! Cette étape est nécessaire pour que la baignoire à hydromassage fonctionne plus silencieusement.

IMPORTANT ! Ne pas soulever la pompe à un niveau supérieur à celui d'avant avoir coupé les sangles de retenue. Si la pompe est trop élevée, elle ne s'amorcera pas correctement.

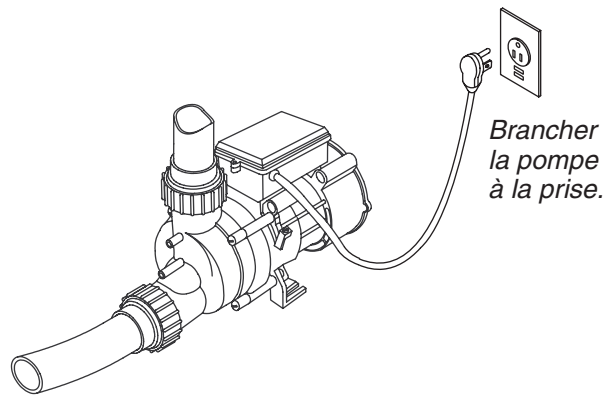
- Sectionner les deux sangles de retenue de la pompe de la baignoire à hydromassage avec des cisailles. Jeter les sangles.
- S'assurer que la pompe ne soit pas directement en contact avec le harnais de la baignoire à hydromassage.

8. Installer le drain et la tuyauterie test



ATTENTION : Risque d'endommagement du matériel. S'assurer que le drain de la baignoire à hydromassage soit étanche, sinon des fuites pourraient avoir lieu.

- Connecter le drain au siphon selon les instructions du fabricant.
- Installer temporairement les poignées de robinet conformément aux instructions du fabricant.
- Ouvrir les alimentations d'eau chaude et froide.
- S'assurer qu'il n'y ait aucune fuite dans les connexions d'alimentation. Réparer toutes les fuites.
- Laisser couler l'eau pour purger et chasser tout débris des conduites.
- Vérifier s'il y a des fuites dans les connexions du drain. Réparer toutes les fuites.
- Fermer les poignées de robinet.
- Installer la pomme de douche, si applicable.
- Tester la pomme de douche pour un bon fonctionnement.
- Couper les alimentations d'eau chaude et froide.
- Retirer la pomme de douche et réinstaller le bouchon du tuyau.
- Retirer les poignées de robinet et du bec conformément aux instructions du fabricant.



9. Faire les connexions électriques

Faire les connexions



DANGER : Risque d'électrocution. Afin de réduire les risques de choc électrique, raccorder uniquement à une prise de terre, protégée par un disjoncteur différentiel (GFCI). Ne pas retirer les broches de mise à la terre. Ne pas utiliser d'adaptateurs de mise à la terre.

- Vérifier que la tuyauterie de l'interrupteur d'air soit attaché à la pompe et à l'interrupteur dans la baignoire à hydromassage. Utiliser un petit miroir et une lampe de poche pour s'assister.
- S'assurer que la tuyauterie ne soit pas pincée ou endommagée, et qu'elle se mette en place sur les adaptateurs à l'interrupteur et à la pompe. Faire toutes les modifications nécessaires à la tuyauterie de commande d'air.
- Inspecter visuellement la pompe de la baignoire à hydromassage et le harnais de la tuyauterie pour tout dommage.
- Vérifier que le connecteur du conducteur soit connecté à la pompe selon les codes en vigueur.
- Brancher le câble électrique de la pompe dans la prise GFCI.

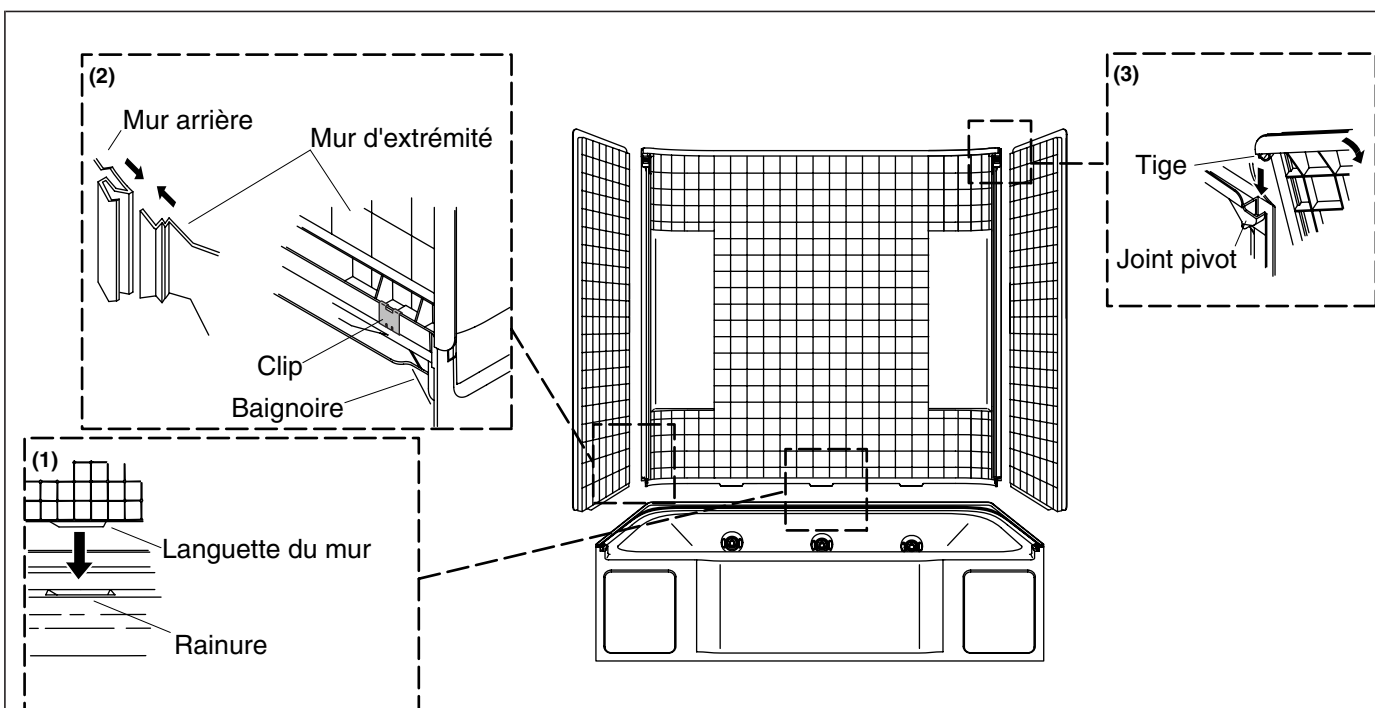
Tester la baignoire à hydromassage

Pour plus d'information concernant le fonctionnement de la baignoire à hydromassage, consulter la section "Confirmer le bon fonctionnement" de ce guide.



ATTENTION : Risque d'endommagement du matériel. Ne pas remplir la baignoire à hydromassage au-dessus du fond du drain de trop plein. En faisant cela, il pourrait y avoir des fuites dans la tuyauterie de la baignoire à hydromassage. La baignoire à hydromassage n'est pas conçue pour contenir de l'eau au-dessus du trop-plein.

- Contrôler toutes les connexions électriques et s'assurer que l'alimentation électrique à la baignoire à hydromassage soit en circuit.
- S'assurer que les sangles de retenue de la pompe ont été sectionnées.
- Remplir la baignoire à hydromassage à au moins 2" (5,1 cm) au-dessus du jet le plus élevé.
- Opérer la baignoire à hydromassage pendant 5 minutes. Vérifier s'il y a des fuites dans les connexions de la baignoire à hydromassage.
- Fermer les jets de baignoire à hydromassage, puis le drain à la baignoire à hydromassage. Replacer l'enveloppe de protection ou la bache.



10. Préparer les murs pour la baignoire à hydromassage

IMPORTANT ! Installer d'abord le mur arrière.

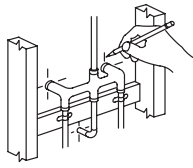
IMPORTANT ! Ne pas sécuriser les murs au cadrage du montant jusqu'à en être instruit.

REMARQUE : Si les valves de la douche ou les contrôles empêchent la section du mur de plomberie d'être correctement positionnée avant la découpe nécessaire des trous, faire les trous selon la section "Découper les orifices de valves et du bec" et retourner à cette procédure.

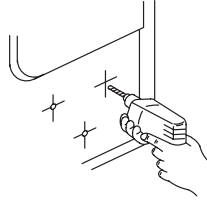
- S'assurer que la surface de la baignoire à hydromassage est libre de tout débris. Ceci limitera les espaces entre les murs avoisinants et la surface de la baignoire à hydromassage.
- Positionner le mur arrière avec les languettes du mur engagées dans les rainures de la baignoire à hydromassage, et les clips verrouillés derrière le mur arrière. **(1)(2)**
- Positionner les tiges supérieures du mur d'extrémité dans le joint pivot du mur arrière en position jusqu'à ce que les clips de rétention se verrouillent derrière le mur d'extrémité. **(3)**

REMARQUE : Si les orifices des appareillages de plomberie ont besoin d'être percés, retirer les clips avant d'assembler le mur d'extrémité. Rattacher les clips pour l'assemblage final du jeu de mur.

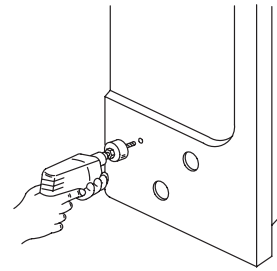
- S'assurer que les murs d'extrémité soient d'égalité avec le rebord de la baignoire à hydromassage. Si un réglage est nécessaire, pousser ou tirer la baignoire à hydromassage afin de permettre aux murs d'extrémité de reposer sur la baignoire à hydromassage.
- Pousser la baignoire à hydromassage en position et vérifier que tous les murs soient proprement alignés avec les montants au niveau des brides supérieures et verticales. Si besoin, ajouter des cales pour amener les montants en contact avec les murs.



1. Marquer le centre des valves et du bec.



2. Percer les trous-pilotes.



3. Découper les orifices.

11. Découper les orifices pour les valves et le bec



ATTENTION : Risque d'endommagement du produit. La non-observation des instructions concernant la direction de découpe de la lame peut endommager la finition du mur d'extrémité de plomberie. Découper les orifices à partir du **côté avant du mur** pour: scies cylindriques, outils rotatifs, scie sauteuse à main, ou autres scies avec lame coupante par mouvement de pression. Découper les orifices à partir du **côté arrière du mur** pour autres scies avec avec lame coupante par mouvement de tirage.

Préparer le mur d'extrémité de plomberie

REMARQUE : Des orifices pour le mitigeur, la douche, et le bec doivent être découpés dans le mur d'extrémité de plomberie.

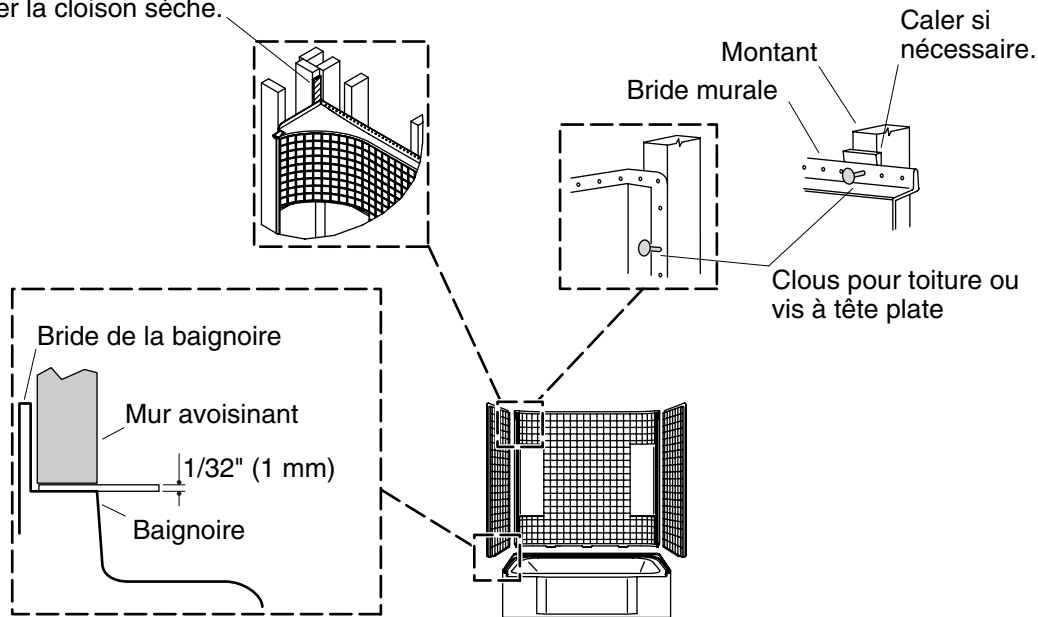
- Se référer aux instructions du fabricant pour les dimensions nécessaires des orifices. Vérifier que toute applique, bride, ou plaque soit assez large pour couvrir le trou du composant.
- Disposer et marquer l'emplacement de la ligne centrale du mitigeur, de la douche, et du bec sur le **côté arrière du mur d'extrémité. (1)**
- Percer des trous-pilotes de 1/4" (6 mm) aux emplacements marqués à partir du **côté arrière du mur d'extrémité. (2)**
- Découper avec précaution les orifices de raccord au diamètre correct. **(3)** Se référer aux instructions du fabricant de la garniture pour un bon diamètre.
- Bien nettoyer la baignoire à hydromassage de tous débris pour réduire le risque d'endommagement de la surface.

Accessoires optionnels

IMPORTANT ! Ne pas installer des accessoires nécessitant un renfort ou support. Des installations nécessitant un forage dans les murs avoisinants ne sont pas recommandées. Une telle installation pourrait annuler la garantie.

- Se référer aux instructions du fabricant de l'accessoire pour une bonne installation.
- Si un forage est requis, marquer et percer les emplacements de l'accessoire sur le **côté arrière du mur**. Ne pas sécuriser l'accessoire à ce moment.

Ajouter des tasseaux selon le besoin pour supporter la cloison sèche.



12. Sécuriser les murs avoisinants



ATTENTION : Risque d'endommagement du matériel. Les murs avoisinants doivent reposer à 1/32" (1mm) (épaisseur d'une carte de crédit) de la baignoire à hydromassage pour assurer la bonne gestion de l'eau et éviter les fuites.

- S'assurer que les murs avoisinants sont proprement sécurisés et reposent sur la baignoire à hydromassage. Les rebords avant des murs d'extrémité doivent être d'égalité par rapport au rebord avant de la baignoire à hydromassage. Si un espace existe, tirer les murs d'extrémité légèrement vers l'avant.
- La largeur du mur arrière est plus étroite dans l'angle arrière. Ajouter des tasseaux selon le besoin pour supporter la cloison sèche. Si les tasseaux ne sont pas utilisés, l'installation de cloison-sèche pourrait être difficile.



ATTENTION : Risque d'endommagement du produit ou de la propriété. Si des des vis à tête plate et non coniques sont utilisées au lieu de clous pour toiture, **ne pas trop serrer les vis**. Un serrage excessif peut endommager la bride du mur.

- En commençant par la base des murs d'extrémité vers le haut, sécuriser les murs d'extrémité aux montants approximativement tous les 12" (30,5 cm). Si des clous pour toiture sont utilisés, clouer à travers les encoches des brides du mur. Si des vis à tête plate non coniques sont utilisées, percer à travers les encoches des brides du mur. Ne pas trop serrer les vis à tête plate non coniques.

REMARQUE : Laisser un espace de 1/8" (3 mm) entre le rebord du mur avoisinant et le matériau du mur fini. Lorsque scellé, cet espace réduira la possibilité d'infiltration d'eau sur le matériau du mur.

- S'assurer que de la fibre ou autre isolation souple ne tombe pas dans le canal d'eau. Couvrir ou sceller tout matériau libre. Le cas échéant peut causer une infiltration d'eau du canal d'eau dans l'isolation entraînant de la moisissure, fuite. S'assurer que les canaux soient libres de tout débris après l'installation.
- Sécuriser les brides du mur au-dessus des murs avoisinants à chaque emplacement de montant. Ajouter des cales si nécessaire pour amener les montants en contact avec la bride de la baignoire à hydromassage.
- Couvrir le cadrage autour des murs avoisinants avec du matériau hydrorésistant. Dans le cas de couverture de brides murales avec un matériau hydrorésistant, un tasseau d'approximativement 1/4" (6 mm) d'épaisseur sera requis dans chaque angle arrière des côtés du mur d'extrémité.

Sécuriser les murs avoisinants (cont.)

- Sceller les joints entre la baignoire et le matériau du mur fini à l'aide de mastic à la silicone à 100%. Si désiré, la rainure horizontale supérieure entre le mur arrière et le mur d'extrémité peut aussi être scellée. Laisser prendre le mastic à la silicone selon les instructions du fabricant.

13. Compléter l'installation



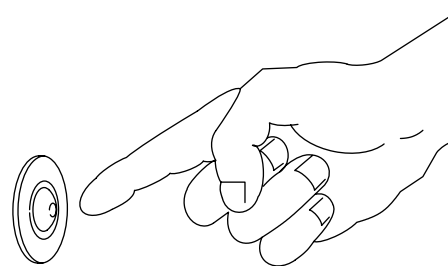
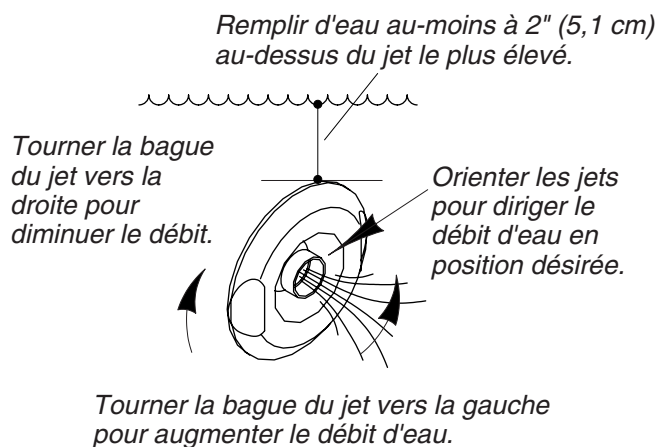
ATTENTION : Risque d'endommagement du matériel. S'assurer qu'un joint d'étanchéité existe autour du drain et du trop-plein.

- Connecter le drain au siphon selon les instructions du fabricant.
- Installer la garniture du robinet, bec de la baignoire à hydromassage, la porte de douche, et tout accessoire selon les instructions du fabricant.
- Retirer la pellicule protectrice de la baignoire à hydromassage.
- Ouvrir les lignes d'alimentation d'eau, puis faire couler l'eau pour chasser tout débris.
- Fermer les valves.
- Installer la pomme de douche conformément aux instructions du fabricant.
- Vérifier s'il y a des fuites dans les connexions.



ATTENTION : Risque d'endommagement du matériel. Si des orifices ont été ou doivent être découpés pour proprement installer l'accessoire, nous recommandons d'appliquer du mastic à la silicone à 100% dans les orifices percés avant de sécuriser l'accessoire au mur avoisinant afin d'éviter tout endommagement possible par eau. Suivre les instructions du fabricant des accessoires. Les accessoires non-installés correctement pourraient causer des fuites et annuler la garantie.

- Si applicable, appliquer du mastic à la silicone à 100% dans les orifices préalablement percés dans le mur avoisinant. Se référer aux instructions du fabricant de l'accessoire pour proprement sécuriser ce dernier au mur avoisinant.
- Si applicable, installer tous les autres accessoires conformément aux instructions du fabricant.
- Si une porte de douche doit être installée, appliquer du mastic à la silicone à 100% dans l'espace de rencontre des rebords avants des murs d'extrémité et de la surface de la baignoire à hydromassage. Ceci préviendra l'eau de passer à travers le profilé de la porte de douche à l'arrière du mur. Se référer aux instructions du fabricant de la porte de douche pour compléter l'installation de la porte de douche. N'appliquer que du mastic à la silicone où l'on en est instruit.
- Si un rideau de douche est utilisé, s'assurer que la tringle est installée au-dessus des murs avoisinants.



Presser sur l'interrupteur d'air
pour activer ou arrêter la
baignoire à hydromassage.

14. Confirmer le bon fonctionnement

Veuillez lire avec attention ces étapes avant d'opérer la baignoire à hydromassage.

- Vérifier toutes les connexions électriques.
- S'assurer que les sangles de retenue de la pompe ont été sectionnées.
- Fermer le disjoncteur de la pompe de la baignoire à hydromassage.

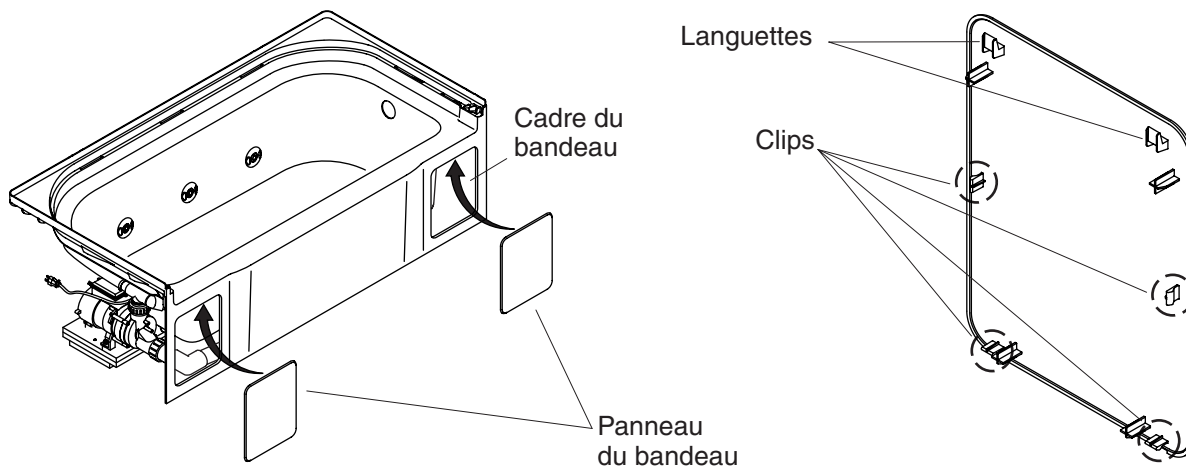
Remplir la baignoire à hydromassage

- Remplir la baignoire à hydromassage à au moins 2" (5,1 cm) au-dessus du jet le plus élevé.

Séquence d'opération

REMARQUE : En cas de problèmes avec la séquence d'opération, se référer à la section "Tableau de dépannage" dans ce manuel et dans le guide du propriétaire. Le guide du propriétaire comprend aussi les informations de garantie.

- Appuyer sur l'interrupteur d'air pour activer les jets d'hydromassage.
- Vérifier que la pompe démarre et opère sans bruit ni vibration excessifs.
- Vérifier que l'eau circule normalement de chaque jet.
- Ajuster chaque large jet pour un flux optimal. Tourner la bague vers la droite pour réduire le débit d'air, et vers la gauche pour l'augmenter.
- Après 5 minutes, vérifier les connexions de la tuyauterie pour déceler les fuites. Réparer toutes les fuites.
- Appuyer sur l'interrupteur d'air une seconde fois pour arrêter la baignoire à hydromassage.
- Vérifier que la pompe s'arrête.
- Vider la la baignoire à hydromassage.



15. Retirer le panneau d'accès du bandeau

IMPORTANT ! Risque d'endommagement du produit. S'assurer que les languettes soient alignées avant de mettre le panneau du bandeau en place. Un alignement incorrect peut endommager les clips.

- S'assurer qu'il n'y ait pas d'obstructions autour du bandeau.
- Positionner le panneau du bandeau dans son cadre.
- Glisser les languettes du panneau du bandeau sous le cadre du bandeau jusqu'à ce que les languettes s'engagent et que tous les clips s'alignent avec l'ouverture du cadre du bandeau.
- Presser le centre du panneau du bandeau jusqu'à ce qu'il s'enclenche en place.
- Répéter pour le second panneau du bandeau.

Tableau de dépannage

Ce guide de dépannage est seulement destiné à une aide générale. Un technicien agréé ou un électricien compétent devraient corriger tout problème électrique. Pour une réparation sous garantie, contacter le vendeur ou distributeur.

Symptômes	Causes probables	Action recommandée
1. La baignoire à hydromassage ne démarre/s'arrête pas.	A. Pas d'alimentation au moteur de la pompe.	A. Initialiser/Réinitialiser le disjoncteur différentiel (GFCI). Vérifier le câblage.
	B. L'interrupteur d'air ne fonctionne pas.	B. Remplacer l'interrupteur d'air. Vérifier les tuyaux d'air entre l'interrupteur et la pompe. Remplacer si nécessaire.
	C. Le moteur/pompe ne fonctionne pas.	C. Reconstruire ou remplacer le moteur/pompe.
2. Le moteur démarre, mais tous les jets ne fonctionnent pas.	A. Le jet est fermé.	A. Tourner la bague du jet vers la gauche pour l'ouvrir.
	B. Le jet est bloqué.	B. Retirer ce qui bouche.
3. La baignoire à hydromassage s'arrête automatiquement.	A. Le disjoncteur différentiel GFCI se déclenche.	A. Identifier la source du problème puis y remédier.
	B. L'aspiration est bloquée.	B. Retirer l'obstruction.
	C. Les jets sont bloqués.	C. Retirer le blocage.

Tableau de dépannage (cont.)

Symptômes	Causes probables	Action recommandée
	D. Moteur surchauffé et système de protection activé.	D. Vérifier s'il y a blocage aux prises d'air du moteur. Retirer l'obstruction et laisser le moteur refroidir.
4. Fonctionnement bruyant.	A. Les sangles de retenue de la pompe n'ont pas été coupées.	A. Couper les sangles de retenue avec des cisailles de ferblantier.
5. Une fuite est détectée sous la baignoire à hydromassage.	A. Fuite de la tuyauterie.	A. Réparer toutes les fuites.
	B. Un défaut de l'étanchéité ou joint aux orifices dans les murs finis, porte de la douche, ou murs avoisinants.	B. Remplacer tout joint défectueux. Appliquer du mastic à la silicone claire à 100% comme requis.
6. Détection de moisissure sur les joints (pour les unités avec murs avoisinants).	A. Canal de drainage bloqué.	A. Utiliser un objet aigu en bois ou plastique pour gratter toute accumulation de saleté sur le joint. Accroître la fréquence de nettoyage.
7. Dégâts d'eau aux murs finis.	A. Joint au mur fini non scellé.	A. Sceller le joint avec de mastic à la silicone claire à 100% selon les instructions du fabricant.

Guía de instalación

Bañera de hidromasaje y paredes circundantes

Información importante



ADVERTENCIA: Al usar productos eléctricos, siempre siga las precauciones básicas, incluyendo las siguientes:



PELIGRO: Riesgo de descarga eléctrica. Para reducir el riesgo de descarga eléctrica, conecte la bomba solamente a tomacorrientes correctamente conectados a tierra, protegidos con un interruptor de circuito con pérdida a tierra (GFCI). No retire las clavijas de conexión a tierra de los enchufes. No utilice adaptadores de conexión a tierra.



ADVERTENCIA: Riesgo de lesiones personales o daños a la propiedad. Lea atentamente todas las instrucciones antes de comenzar la instalación, incluyendo los requisitos detallados a continuación.



ADVERTENCIA: Riesgo de descarga eléctrica. Un electricista calificado debe realizar todas las conexiones eléctricas.



ADVERTENCIA: Riesgo de descarga eléctrica. Desconecte el suministro eléctrico antes de dar servicio.

El material de construcción y el cableado se deben colocar lejos del cuerpo de la bomba y de otros componentes que produzcan calor.

NOTA: Cumpla con todos los códigos locales de plomería, de construcción y de electricidad.

Información sobre el producto

Requisitos eléctricos

NOTA: Si el cable de alimentación está dañado, debe ser reemplazado por el fabricante, su agente de servicio o personas igualmente calificadas para así evitar un peligro.

- La instalación debe contar con un interruptor de circuito con pérdida a tierra (GFCI) de Clase A. El GFCI protege contra el peligro de descarga eléctrica de línea a tierra. Utilice un circuito dedicado de 120 V, 15 A y 60 Hz para la bañera de hidromasaje.

Avisos sobre el producto



ADVERTENCIA: Las modificaciones no autorizadas de la bomba pueden causar un funcionamiento peligroso y bajo rendimiento de la bañera de hidromasaje. No cambie la ubicación de la bomba de la bañera de hidromasaje, ni haga otras modificaciones en el sistema de hidromasaje, ya que esto podría tener un efecto adverso en el rendimiento y en el funcionamiento seguro de la bañera de hidromasaje. Sterling Plumbing no se hace responsable bajo esta garantía o de ninguna otra forma, de las lesiones personales o daños provocados por modificaciones no autorizadas.

Componentes ensamblados en fábrica

- Los componentes instalados en fábrica incluyen: la bomba con el cable de alimentación, el interruptor de aire y los jets de hidromasaje con la conexión de succión.

Acceso de servicio y a las conexiones

- Antes de instalar, verifique que el acceso a las conexiones finales sea adecuado.

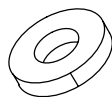
Contenido

Información importante	1
Herramientas y materiales	2
Gracias por elegir los productos de Sterling	2
Antes de comenzar	2
Diagrama de instalación	5
Construya la estructura nueva de postes de madera	5
Prepare el subpiso	6
Instale las tuberías de plomería	8
Instale el tomacorriente	9
Prepare la bañera de hidromasaje y el subpiso	10
Coloque la bañera de hidromasaje	11
Corte las cintas metálicas que sujetan la bomba	13
Instale el desagüe y pruebe la tubería	13
Realice las conexiones eléctricas	14
Ajuste inicial de las paredes a la bañera de hidromasaje	15
Perfore los orificios para las válvulas y el surtidor	16
Fije las paredes circundantes	17
Termine la instalación	18
Confirme el funcionamiento correcto	19
Instale el panel de acceso del faldón	20
Tabla para resolver problemas	20

Herramientas y materiales



Lentes de seguridad



Cinta de enmascarar de 2" (5,1 cm)



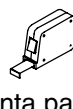
Sellador 100% de silicona transparente



Taladro



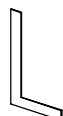
Pinzas



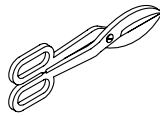
Cinta para medir

Más:

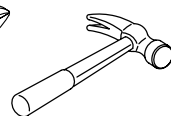
- Herramientas y materiales convencionales de carpintería
- Lona
- Cemento mortero (opcional)
- Postes de madera de 2x2 y 2x4 ó 2x6
- Corona perforadora o sierra caladora eléctrica con hoja delgada (32 dientes por pulgada)
- Clavos de techar galvanizados o enchapados o tornillos galvanizados de cabeza plana no cónica



Escuadra



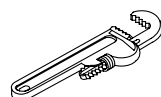
Tijeras para chapa



Martillo de uña



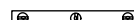
Llave ajustable



Llave para tubos



Lápiz



Nivel

Gracias por elegir los productos de Sterling

Le agradecemos que haya elegido a Sterling por la calidad que ofrece al mejor precio. Dedique unos minutos para leer este manual antes de comenzar la instalación. En caso de problemas de instalación o de funcionamiento, no dude en contactarnos. Este manual contiene nuestros números de teléfono. Gracias nuevamente por escoger a Sterling.

Antes de comenzar



PRECAUCIÓN: Riesgo de daños al producto. Instale la bañera de hidromasaje en un subpiso nivelado y con suficiente soporte. El área del fondo no requiere ningún soporte adicional siempre que el subpiso esté nivelado y a escuadra con la estructura de postes. Utilice cuñas como soporte adicional, en caso de que el subpiso esté disperejo. No instale la bañera de hidromasaje sobre vigas expuestas en el piso.

Antes de comenzar (cont.)



PRECAUCIÓN: Riesgo de daños al producto. No retire el refuerzo de espuma de las secciones de las paredes circundantes. Las secciones de las paredes circundantes están equipadas con un refuerzo de espuma para poner la parte posterior de la pared en contacto con la estructura de postes de madera. Esta espuma plástica no es material de embalaje.



PRECAUCIÓN: Riesgo de daños a la propiedad. Sólo aplique sellador 100% de silicona en las áreas donde se indique. No añada sellador de silicona en ninguna otra área. El uso incorrecto de sellador de silicona puede atrapar humedad, y producir fugas o moho. Para instalaciones de sólo bañera de hidromasaje, es necesario aplicar sellador 100% de silicona en las uniones de las paredes y la bañera de hidromasaje. Recomendamos que utilice sellador 100% de silicona del mismo color que el producto. No se recomienda el uso de selladores a base de látex ni de otros tipos. Si va a instalar puertas de ducha, se le indicará que aplique sellador de silicona donde los filos delanteros de las paredes circundantes laterales hacen contacto con la bañera de hidromasaje. Esto evitará que el agua pase a través de la extrusión de la puerta de ducha hacia el lado posterior de la pared. Siga las instrucciones del fabricante del sellador de silicona y de la puerta de ducha.



PRECAUCIÓN: Riesgo de daños al producto. No levante la bañera de hidromasaje por el refuerzo del faldón. Levante la bañera de hidromasaje sujetando el borde en múltiples puntos. Las bañeras de hidromasaje que se envían en una sola caja tienen los refuerzos del faldón en posición cerrada. Las bañeras de hidromasaje que se envían en cajas multipack tienen uno o más refuerzos del faldón separados del faldón. Instale los refuerzos del faldón al faldón **antes** de sacar la unidad de la caja o cajas.



PRECAUCIÓN: Riesgo de daños al producto. Para evitar manchas de oxidación en el producto, asegúrese de que los clavos de techar o tornillos de cabeza plana no cónica estén galvanizados o enchapados. Si va a utilizar tornillos de cabeza plana no cónica galvanizados o enchapados, **no apriete demasiado los tornillos**. Si los aprieta demasiado se puede dañar el reborde de la pared. Consulte los códigos locales de construcción para determinar si los tornillos o clavos deben estar galvanizados o enchapados.

¡IMPORTANTE! La bañera de hidromasaje se puede instalar sin las paredes circundantes.

¡IMPORTANTE! Si la bañera de hidromasaje viene embalada con un revestimiento protector, no retire el revestimiento hasta que se haya terminado la obra para evitar daños a la unidad. Si no hay ningún revestimiento protector disponible, coloque una lona gruesa y limpia o un material similar en el fondo de la bañera de hidromasaje.

¡IMPORTANTE! Riesgo de daños al producto. No instale la bañera de hidromasaje sobre vigas expuestas en el piso. El área del fondo no requiere ningún soporte adicional siempre que el subpiso esté nivelado y a escuadra con la estructura de postes. Instale la bañera de hidromasaje en un subpiso nivelado y con suficiente soporte. Utilice cuñas como soporte adicional, en caso de que el subpiso esté disperejo.

- Lea todas las instrucciones antes de comenzar.
- Cumpla con todos los códigos pertinentes de plomería, eléctricos y de construcción.
- Esta bañera de hidromasaje está diseñada para instalarse encajonada entre tres paredes.
- Una vez recibido el producto, compruebe que no falten piezas y que no esté dañado. Informe inmediatamente acerca de cualquier daño o pieza que falte.
- No desinstale la unidad existente sin haber antes desembalado y revisado la unidad nueva.
- Guarde la bañera de hidromasaje y las paredes circundantes en un lugar seguro hasta el momento de la instalación para evitar daños.
- En caso de remodelación, mida la estructura de postes de madera existente antes de desinstalar la bañera de hidromasaje vieja para asegurarse de que la bañera de hidromasaje nueva entrará bien. Verifique que el desagüe esté en el lugar correcto.
- Confirme que el espacio de montaje y conexión sea adecuado para la instalación del suministro de agua y desagüe.
- El panel del faldón no es desmontable de las bañeras de hidromasaje.

Antes de comenzar (cont.)

- En caso de problemas de instalación o funcionamiento, no dude en comunicarse con Sterling entre las 7:00 am y 6:00 pm CST (horario de la zona central de EE.UU.) al: 1-888-STERLING en los EE.UU. ó 001-877-680-1310 en México.
- Si la bañera de hidromasaje viene embalada con un revestimiento protector, no retire el revestimiento hasta que se haya terminado la obra. Si no hay ningún revestimiento protector disponible, coloque una lona gruesa y limpia o un material similar en el fondo de la bañera de hidromasaje.
- Sterling se reserva el derecho de modificar el diseño de los productos sin previo aviso, tal como se especifica en la lista de precios.

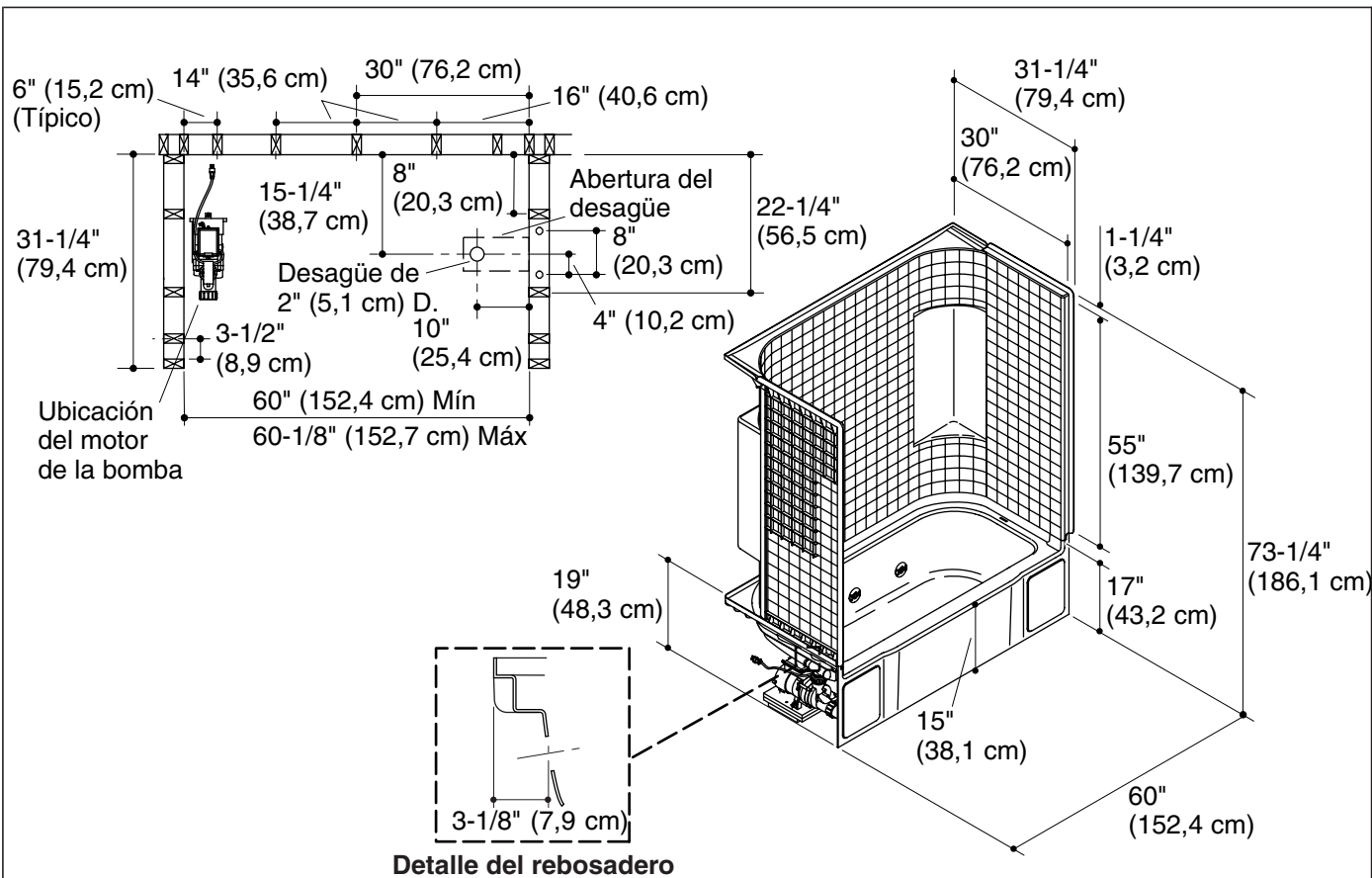


Diagrama de instalación

¡**IMPORTANTE!** Todas las dimensiones son nominales. La tolerancia de abertura entre los postes es de +1/8" (3 mm)/-0. Mida con cuidado el producto antes de determinar las dimensiones del encajonado. Quizás sea necesario colocar cuñas entre la estructura de postes de madera y la unidad. Si se requiere una pared resistente al fuego, las dimensiones del diagrama de instalación deberán aumentar según el grosor del material resistente al fuego. Las dimensiones de abertura entre los postes se deben medir por el lado expuesto del material de la pared. Las dimensiones del diagrama de instalación son cruciales para una correcta instalación. Construya la estructura y coloque las tuberías con precisión.

En caso de instalar una puerta de ducha con esta bañera de hidromasaje, consulte las instrucciones de instalación del fabricante de la puerta para cualquier consideración especial de la estructura de postes de madera.

1. Construya la estructura nueva de postes de madera

NOTA: Consulte la sección "Diagrama de instalación" para obtener las dimensiones.



ADVERTENCIA: Riesgo de daños al producto y a la propiedad. El subpiso debe soportar la bañera de hidromasaje.

Estipulaciones para la estructura de postes de madera

- El subpiso debe estar instalado. Al colocar la bañera de hidromasaje se debe dejar espacio para el desagüe a través de las vigas del piso o losas así como facilitar la instalación de plomería.

NOTA: Si las paredes circundantes se van a instalar contra una pared de mampostería, haga las provisiones necesarias para las conexiones de plomería. Para la pared lateral con las conexiones de plomería, construya una pared de entramado separada a 6" (15,2 cm) como mínimo de la pared de mampostería. Con el resto de paredes, utilice listones de enrasar de 2x2 para así crear puntos de sujeción.

Construya la estructura nueva de postes de madera (cont.)

- Asegúrese de que el poste exterior esté colocado con los rebordes verticales de la pared 31-1/4" (79,4 cm) de la pared posterior. El filo exterior del poste debe alinearse con el filo del reborde de la pared.

¡IMPORTANTE! Para esta instalación no se recomiendan accesorios que requieran refuerzo o soporte. La instalación de estos accesorios podría anular la garantía.

- En caso de instalar una puerta de ducha con esta unidad, consulte las instrucciones de instalación de la misma para cualquier consideración especial de la estructura. Quizás sea conveniente añadir postes para el soporte de la puerta pivotante de ducha.
- Asegúrese de que la fibra u otro tipo de aislamiento suave no caiga en el canal de agua. Cubra o selle todo el material suelto. Si no lo hace podría causar la absorción del agua desde el canal de agua hacia el aislamiento, lo que podría producir fugas o moho. Asegúrese de que los canales estén libres de suciedad después de la instalación.

¡IMPORTANTE! Construya el piso de madera contrachapada. Si la bañera de hidromasaje se instala sobre material que no sea madera contrachapada, con el tiempo la fricción podría causar rechinos.

2. Prepare el subpiso

¡IMPORTANTE! Los soportes de la bañera de hidromasaje deben apoyarse directamente en un subpiso nivelado.

¡IMPORTANTE! Si la bañera de hidromasaje se instala en un subpiso que no sea de madera contrachapada, es posible que al pisar el área se produzca un rechinido. Para evitar los rechinos coloque un material acolchado entre la bañera de hidromasaje y el subpiso, debajo de los soportes de la bañera de hidromasaje. Recomendamos un material acolchado de lona de hilo de poliéster encolado de uso para jardinería o material de envolver doméstico de hilo encolado. No utilice fieltro de techar.

¡IMPORTANTE! La línea del desagüe se debe instalar según las instrucciones del fabricante del desagüe. Coloque la línea de desagüe y la trampa utilizando las dimensiones provistas en la sección "Diagrama de instalación".

- Para instalaciones con desagüe arriba del nivel del piso, perforo el orificio en el piso para la línea de desagüe.
- Para instalaciones con desagüe a través del piso, perforo el orificio en el piso para el ensamble de desagüe. La conexión de desagüe debe hacerse directamente bajo el rebosadero de desagüe. Deje espacio para conectar las tuberías.
- Verifique que los rebordes del faldón se puedan fijar a los postes de madera o instale tres bloques de 2x4 justo detrás del lugar de instalación del faldón.
- Verifique que el subpiso esté a nivel. Si el subpiso no está nivelado, continúe en la subsección "Nivele el subpiso" a continuación.

Si es necesario una pared resistente al fuego, las dimensiones del diagrama de instalación deberán aumentar según el grosor del material resistente al fuego. Las dimensiones de abertura entre los postes se deben medir por el lado expuesto del material de la pared.

Mida con cuidado el producto antes de determinar las dimensiones del lugar de instalación. Quizás sea necesario colocar cuñas entre la estructura de postes de madera y la unidad. Las dimensiones proporcionadas en la sección del diagrama de instalación son cruciales para una correcta instalación. Construya la estructura y coloque las tuberías con precisión.

En caso de instalar una puerta de ducha con esta unidad, consulte las instrucciones de instalación de la misma para cualquier consideración especial de la estructura. Quizás sea conveniente añadir postes para el soporte de la puerta pivotante de ducha.

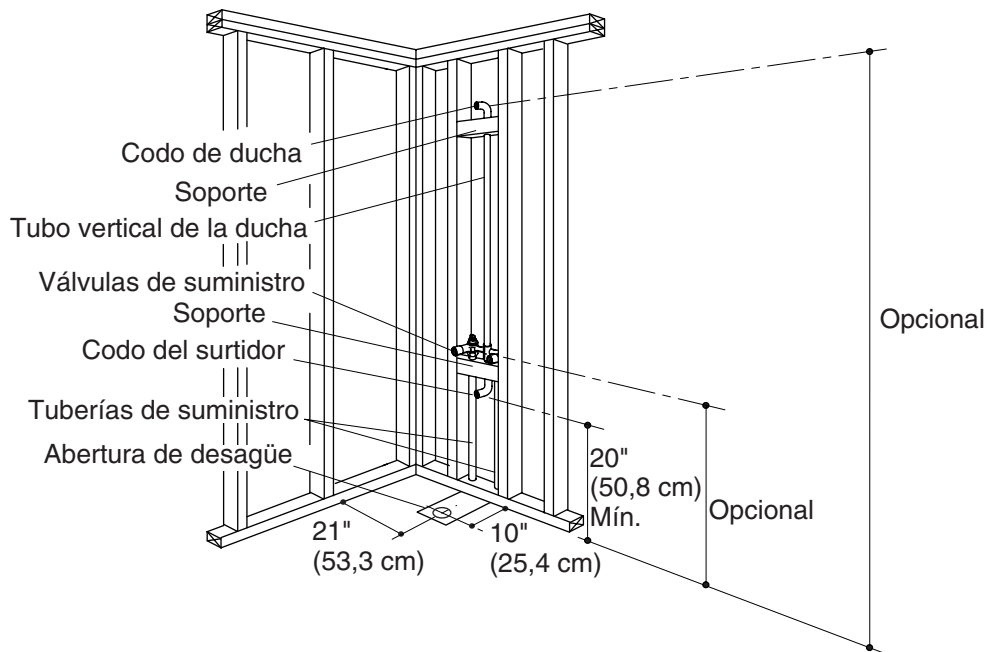
Nivele el subpiso (opcional)

Prepare el subpiso (cont.)

¡IMPORTANTE! Si va a instalar este producto utilizando una capa de cemento mortero, no nivele el subpiso en este momento.

¡IMPORTANTE! Se requiere cemento mortero para nivelar un subpiso desparejo. No utilice yeso, cemento de yeso o pasta para paneles de yeso para esta aplicación, puesto que estos materiales no proporcionan el soporte estructural adecuado.

- Extienda una capa uniforme de cemento mortero en el subpiso donde se colocarán los soportes de la bañera de hidromasaje.



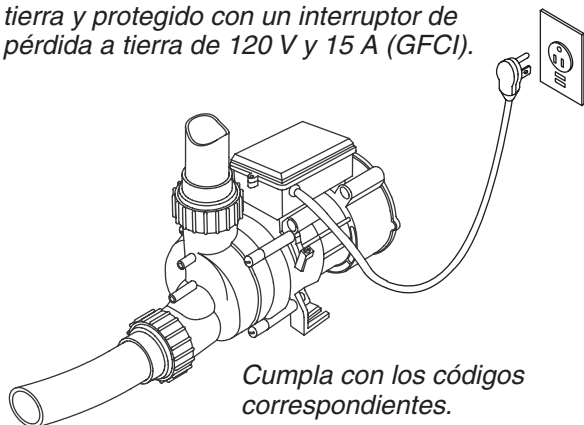
3. Instale las tuberías de plomería

NOTA: Provea el acceso a todas las conexiones de plomería para facilitar el mantenimiento futuro. Provea acceso en la parte posterior de la pared que lleva las conexiones de plomería, siempre que sea posible.

NOTA: La pared lateral que lleva la plomería no se puede instalar sin antes tener el tubo del surtidor en su lugar. Se recomienda el uso de un adaptador de codo. Una vez instalada la pared lateral que lleva la plomería, el tubo del surtidor se puede roscar o soldar en el codo. Elija el adaptador de codo adecuado para su aplicación en base a sus necesidades de acceso. Consulte la ilustración.

- Instale los tubos de suministro de agua según las instrucciones del fabricante de la grifería. Tape los suministros y verifique que no haya fugas.
- Con una abrazadera para tubo, sujete las líneas de suministro a la estructura de postes de madera.
- Instale las válvulas de la ducha según las instrucciones del fabricante. No instale la guarnición en este momento.

Instale un tomacorriente conectado a tierra y protegido con un interruptor de pérdida a tierra de 120 V y 15 A (GFCI).



Cumpla con los códigos correspondientes.

4. Instale el tomacorriente

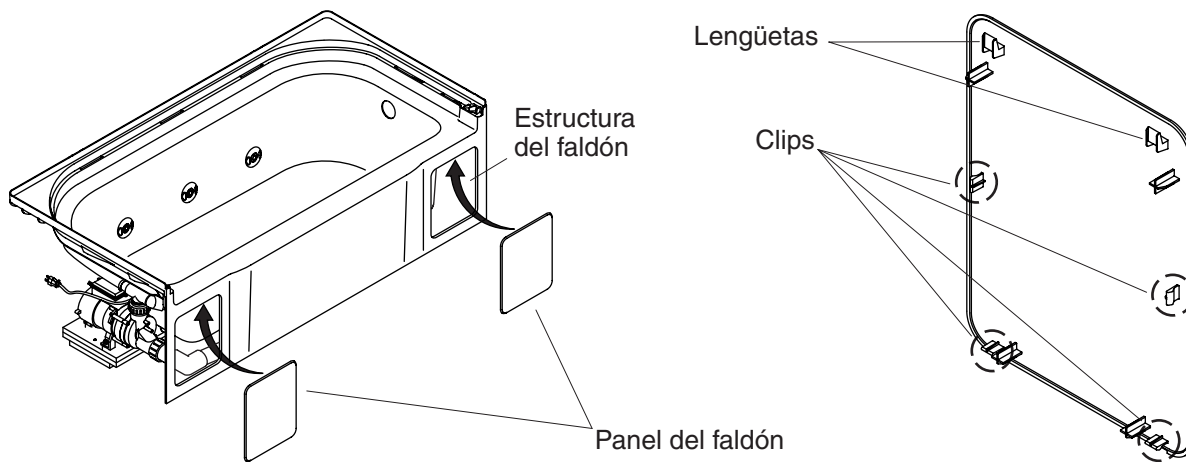


PRECAUCIÓN: Riesgo de lesiones personales. No encienda la unidad hasta que se le indique.

NOTA: La bañera de hidromasaje está equipada de un cable y un enchufe. Todo el cableado de la bomba y el control se ha realizado en fábrica.

NOTA: Consulte la etiqueta cerca de la bomba. Esta etiqueta identifica la capacidad nominal eléctrica y el número de modelo de la bañera de hidromasaje.

- Instale el tomacorriente con conexión a tierra, de 120 V, 15 A y protegido con un interruptor GFCI por detrás de la bañera de hidromasaje y a 24" (61 cm) del lugar de instalación de la bomba. Este circuito no debe tener ninguna otra carga.
- Instale un conductor de puesta a tierra (conexión a tierra) en el lugar de instalación de la bomba según los códigos locales pertinentes.

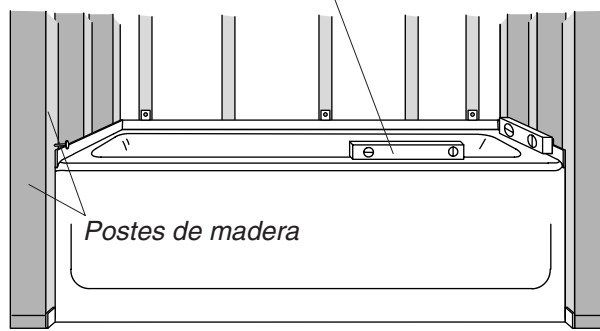


5. Prepare la bañera de hidromasaje y el subpiso

Desmonte el panel de acceso del faldón

- Introduzca un destornillador plano u otra herramienta de palanca en una de las cuatro ranuras para destornillador.
- Utilice el destornillador para apalancar el clip inferior y liberarlo.
- Repita este procedimiento en la otra ranura para destornillador.
- Una vez que los clips inferiores se hayan soltado, jale la parte inferior del panel para separarlo del faldón y así liberar los clips restantes.
- Cuando la parte inferior del panel esté suelta, baje el panel hasta librar la parte superior del panel.
- Guarde el panel en un lugar seguro.

Verifique que la bañera esté a nivel.



Utilice cuñas si es necesario.

6. Coloque la bañera de hidromasaje

PRECAUCIÓN: Riesgo de daños al producto. No levante ni mueva la bañera de hidromasaje sosteniéndola por el faldón ni los refuerzos del faldón. Verifique que los refuerzos del faldón estén fijos antes de instalar la bañera de hidromasaje, luego levante la bañera de hidromasaje por el borde en varios puntos.

NOTA: Mantenga una lona gruesa o tela de protección en el fondo de la bañera de hidromasaje hasta terminar la construcción.

- Instale el montaje del desagüe y rebosadero en la bañera de hidromasaje según las instrucciones del fabricante del desagüe.

¡IMPORTANTE! Si la bañera de hidromasaje se instala en un subpiso que no sea de madera contrachapada, es posible que al pisar el área se produzca un rechinado. Para evitar los rechinos coloque un material acolchado entre la bañera de hidromasaje y el subpiso, debajo de los soportes de la bañera de hidromasaje. Recomendamos un material acolchado de lona de hilo de poliéster encolado de uso para jardinería o material de envolver doméstico de hilo encolado. No utilice fieltro de techar.

¡IMPORTANTE! No retire los clips que están instalados en la bañera de hidromasaje. Los clips se requieren para asegurar la instalación correcta de las paredes.

- Coloque el material acolchado debajo de los soportes de la bañera de hidromasaje.
- Coloque y ajuste la bañera de hidromasaje hasta que el filo exterior quede al ras con la estructura de postes de madera.
- Compruebe que la bañera de hidromasaje esté nivelada y bien apoyada en el subpiso.
- Si la bañera de hidromasaje no está a nivel, acúñe con cuñas de metal, madera u otro material duradero. Cambie la posición y acúñe la bañera de hidromasaje hasta que quede alineada con la estructura de postes de madera y a nivel.
- Si no es posible adherir directamente la bañera de hidromasaje al subpiso o si se desea menos movimiento, considere la instalación de una capa de cemento mortero opcional.

Instale una capa de cemento mortero (opcional)

NOTA: Si va a instalar una capa de cemento mortero, el protector no se requiere.

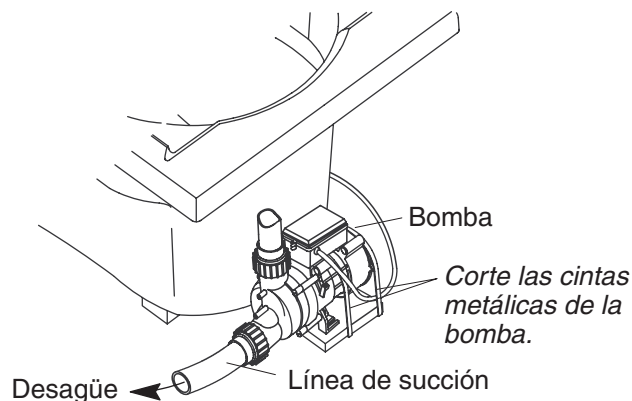
- Retire la bañera de hidromasaje y el material acolchado del encajonado entre tres paredes.

NOTA: No utilice yeso, cemento de yeso o pasta para paneles de yeso con esta aplicación, puesto que no proporcionarán el soporte estructural adecuado.

NOTA: Los soportes de la bañera de hidromasaje deben apoyarse directamente sobre el subpiso.

Coloque la bañera de hidromasaje (cont.)

- Aplique una capa de 2" (5,1 cm) de cemento mortero en el subpiso, untando de manera que las áreas de la bañera de hidromasaje que harán contacto con el subpiso tengan cemento mortero. No extienda el cemento mortero en el área del desagüe. Deje espacio para que el cemento mortero se expanda por el peso de la bañera de hidromasaje.
- Inmediatamente coloque la bañera de hidromasaje en su lugar.
- Verifique que la bañera de hidromasaje esté nivelada y apoyada sobre todos los soportes.
- Limpie la bañera de hidromasaje para reducir el riesgo de daños a la superficie.
- Coloque una lona limpia u otro material similar en el fondo y sobre el filo exterior de la bañera de hidromasaje. Tenga cuidado de no rayar la superficie de la unidad.



NOTA: Es posible que el modelo de bomba ilustrado sea diferente al producto que haya adquirido.

7. Corte las cintas metálicas que sujetan la bomba

¡**IMPORTANTE!** Este paso es necesario para que su bañera de hidromasaje funcione más silenciosamente.

¡**IMPORTANTE!** No levante la bomba a mayor altura de la que tenía antes de cortar las cintas metálicas. Si la bomba está demasiado alta, no cebará correctamente.

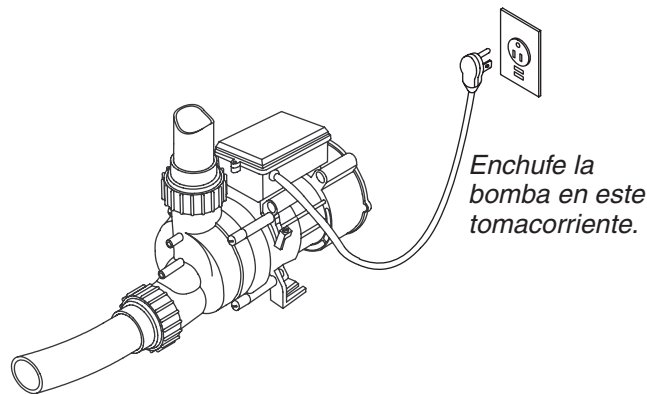
- Con unas tijeras para chapa, corte las dos cintas metálicas en la bomba de la bañera de hidromasaje. Deseche las cintas metálicas.
- Asegúrese de que la bomba no entre en contacto directo con el arnés de la bañera de hidromasaje.

8. Instale el desagüe y pruebe la tubería



PRECAUCIÓN: Riesgo de daños a la propiedad. Verifique que el desagüe de la bañera de hidromasaje tenga un sello impermeable, de lo contrario la bañera de hidromasaje tendrá fugas.

- Conecte el desagüe a la trampa según las instrucciones del fabricante.
- Instale las manijas y el surtidor provisionalmente según las instrucciones del fabricante.
- Abra los suministros del agua fría y caliente.
- Compruebe que no haya fugas en las conexiones de suministro. Repare las fugas.
- Haga circular agua para eliminar las impurezas de las tuberías.
- Compruebe que no haya fugas en las conexiones de desagüe. Repare las fugas.
- Cierre las manijas de la grifería.
- Instale la cabeza de ducha, si aplica.
- Pruebe el funcionamiento del desagüe.
- Cierre los suministros del agua fría y caliente.
- Desmonte la cabeza de ducha y vuelva a instalar la tapa de tubería.
- Retire las manijas de la grifería y el surtidor según las instrucciones del fabricante.



9. Realice las conexiones eléctricas

Realice las conexiones



PELIGRO: Riesgo de descarga eléctrica. Para reducir el riesgo de descarga eléctrica, conecte la bomba solamente a tomacorrientes correctamente conectados a tierra, protegidos con un interruptor de circuito con pérdida a tierra (GFCI). No retire las clavijas de conexión a tierra de los enchufes. No utilice adaptadores de conexión a tierra.

- Verifique que el tubo del accionador de aire esté bien sujeto a la bomba y al botón interruptor de aire en la bañera de hidromasaje. Utilice un espejo pequeño y una linterna para ayudarse.
- Asegúrese de que el tubo no esté pellizcado ni dañada y que el tubo encaje en su lugar en los adaptadores del interruptor y la bomba. Realice las correcciones necesarias en el tubo del accionador de aire.
- Revise visualmente que la bomba de la bañera de hidromasaje y el arnés de tubos no presenten daños.
- Verifique que el conductor de puesta a tierra esté conectado a la bomba conforme a los códigos pertinentes.
- Enchufe el cable eléctrico de la bomba en el tomacorriente GFCI.

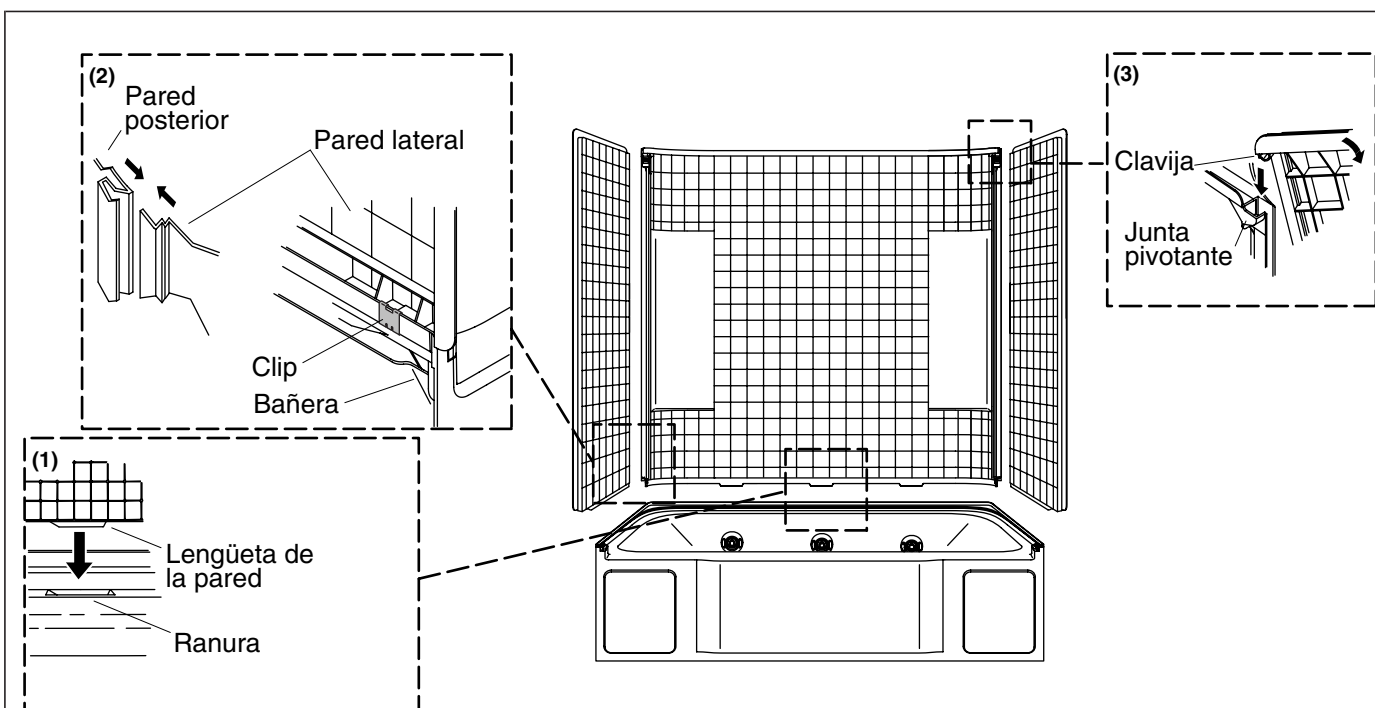
Pruebe el funcionamiento de la bañera de hidromasaje

Para obtener información adicional acerca del funcionamiento de la bañera de hidromasaje, consulte la sección "Confirme el funcionamiento correcto" de esta guía.



PRECAUCIÓN: Riesgo de daños a la propiedad. No llene la bañera de hidromasaje por encima de la parte inferior del rebosadero de desagüe. Pues ello puede provocar fugas en los tubos de la bañera de hidromasaje. La bañera de hidromasaje no está diseñada para retener el agua por encima del rebosadero.

- Revise todas las conexiones eléctricas y asegúrese de que la bañera de hidromasaje esté conectada a la alimentación eléctrica.
- Verifique que se hayan cortado las cintas de la bomba.
- Llene la bañera de hidromasaje con agua al menos 2" (5,1 cm) por encima del jet más alto.
- Haga funcionar la bañera de hidromasaje durante 5 minutos. Revise que no haya fugas en ninguna de las conexiones de los tubos de la bañera de hidromasaje.
- Apague los jets de la bañera y drénela. Vuelva a colocar la lona o material protector.



10. Ajuste inicial de las paredes a la bañera de hidromasaje

¡IMPORTANTE! Instale primero la pared posterior.

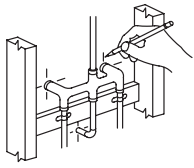
¡IMPORTANTE! No fije las paredes a la estructura de postes de madera hasta que se le indique.

NOTA: Si las válvulas de la ducha o los controles no permiten que la sección de pared que tiene la plomería se pueda colocar correctamente antes de perforar los orificios necesarios, perforo los orificios siguiendo la sección "Perfore los orificios para las válvulas y el surtidor" y luego vuelva a este procedimiento.

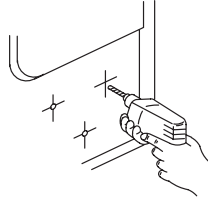
- Asegúrese de que la superficie de la bañera de hidromasaje esté libre de suciedad. Esto reducirá al mínimo las separaciones entre las paredes circundantes y la superficie de la bañera de hidromasaje.
- Coloque la pared posterior con las lengüetas de la pared encajadas en las ranuras de la bañera de hidromasaje, y los clips asegurados detrás de la pared posterior. **(1)(2)**
- Coloque las clavijas superiores de la pared lateral dentro de la junta pivotante de la pared posterior y pivotee la pared a su posición hasta que los clips se aseguren detrás de la pared lateral. **(3)**

NOTA: Si es necesario taladrar orificios para los productos de plomería, retire los clips antes de ensamblar la pared lateral. Vuelva a fijar los clips para el ensamble final del juego de paredes.

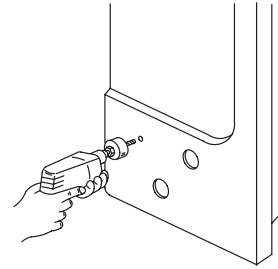
- Verifique que las paredes laterales estén al ras contra el filo de la bañera de hidromasaje. Si es necesario ajustar, empuje o jale la bañera de hidromasaje para permitir que las paredes laterales descansen en la bañera de hidromasaje.
- Empuje la bañera de hidromasaje a su posición y verifique que todas las paredes estén bien alineadas con los postes de madera en los rebordes superior y vertical de las paredes. Si es necesario, añada cuñas para poner los postes de madera en contacto con las paredes.



1. Marque el centro de las válvulas y del surtidor.



2. Taladre los orificios guía.



3. Perfore los orificios.

11. Perfore los orificios para las válvulas y el surtidor



PRECAUCIÓN: Riesgo de daños al producto. Si no sigue las instrucciones acerca de la dirección de corte de la sierra, se puede dañar el acabado de la pared lateral que lleva las conexiones de plomería. Corte los orificios desde el **frente de la pared** para: coronas perforadoras, herramientas circulares, sierra caladora de mano u otras sierras con hoja que corten en la carrera de empujar. Corte los orificios desde el **lado posterior de la pared** para otras sierras de vaivén con hoja que corta en la carrera de jalar.

Prepare la pared lateral que lleva las conexiones de plomería

NOTA: Los orificios para la válvula mezcladora, ducha y surtidor se deben perforar en la pared lateral que lleva las conexiones de plomería.

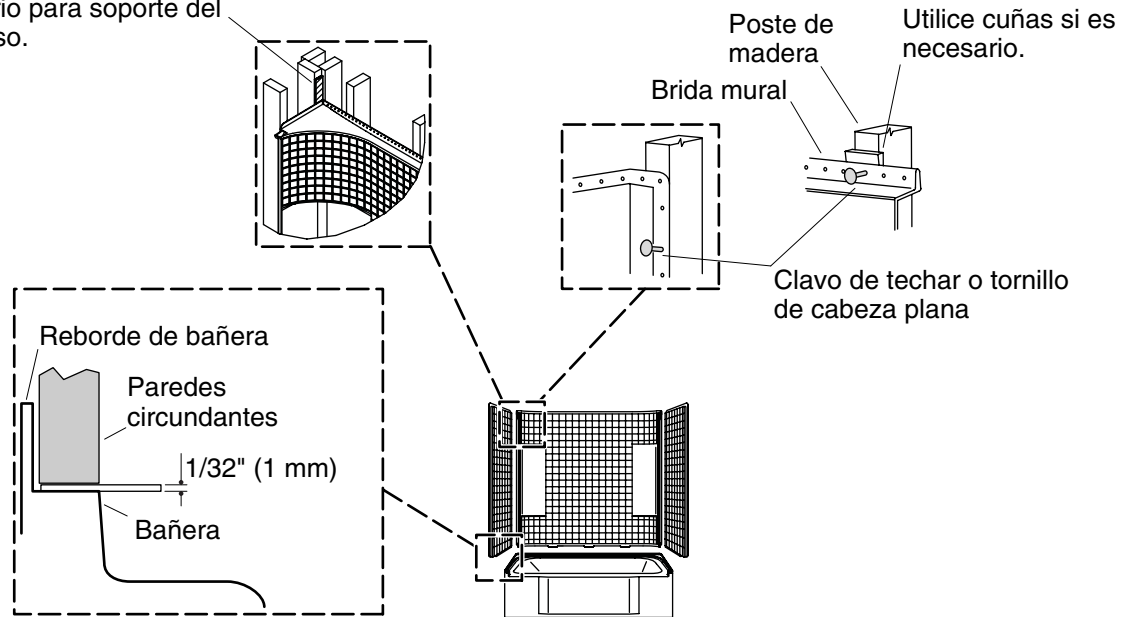
- Consulte las instrucciones del fabricante de la guarnición para determinar el tamaño correcto de los orificios. Verifique que el chapetón, la brida o la placa sean lo suficientemente grande para cubrir el orificio del componente.
- Determine y marque el lugar de la línea central de la válvula mezcladora, la ducha y el surtidor en **el lado posterior de la pared lateral. (1)**
- Taladre un orificio guía de 1/4" (6 mm) en los lugares marcados desde el **lado posterior de la pared lateral. (2)**
- Con cuidado perfore los orificios de las conexiones al diámetro correcto. **(3)** Para el diámetro correcto, consulte las instrucciones del fabricante de la guarnición.
- Limpie con cuidado las partículas de la bañera de hidromasaje para reducir el riesgo de daños en la superficie.

Accesorios opcionales

¡IMPORTANTE! No instale accesorios que requieran un refuerzo o soporte. No se recomiendan instalaciones que requieran taladrar en las paredes circundantes. Dicha instalación podría anular la garantía.

- Para una correcta instalación, consulte las instrucciones del fabricante del accesorio.
- Si es necesario taladrar, marque y taladre los lugares de montaje para el accesorio en el **lado posterior de la pared**. No fije el accesorio en este momento.

Agregue listones de enrasar según sea necesario para soporte del panel de yeso.



12. Fije las paredes circundantes



PRECAUCIÓN: Riesgo de daños a la propiedad. Las paredes circundantes deben quedar a 1/32" (1 mm) (el espesor de una tarjeta de crédito) del borde de la bañera de hidromasaje para evitar fugas y asegurar una buena circulación del agua.

- Asegúrese de que las paredes circundantes estén correctamente aseguradas y asentadas en la bañera de hidromasaje. Los filos frontales de las paredes laterales deben estar al ras con el filo frontal de la bañera de hidromasaje. Si hay una separación, jale un poco hacia delante las paredes laterales.
- El ancho de la pared posterior más angosto en la esquina posterior. Utilice listones de enrasar según sea necesario como soporte para el panel de yeso. Si no utiliza listones de enrasar, la instalación en panel de yeso puede ser más difícil.



PRECAUCIÓN: Riesgo de daños al producto o a la propiedad. Si va a utilizar tornillos de cabeza plana no cónica en lugar de clavos de techo, **no apriete demasiado los tornillos.** Si los aprieta demasiado se puede dañar el reborde de la pared.

- Comenzando en la parte inferior de las paredes laterales y avanzando hacia arriba, fije las paredes laterales a los postes de madera aproximadamente cada 12" (30,5 cm). Si va a utilizar clavos de techo, clave a través de las hendiduras de los rebordes de la pared. Si va a utilizar tornillos de cabeza plana no cónica, taladre a través de las hendiduras de los rebordes de la pared. No apriete demasiado los tornillos de cabeza plana no cónica.

NOTA: Deje una separación de 1/8" (3 mm) entre el filo de las paredes circundantes y el material de la pared acabada. Esta separación, cuando está sellada, ayuda a reducir la posibilidad de que el agua se filtre hacia el material de la pared.

- Asegúrese de que la fibra u otro tipo de aislamiento suave no caiga en el canal de agua. Cubra o selle todo el material suelto. Si no lo hace podría causar la absorción del agua desde el canal de agua hacia el aislamiento, lo que podría producir fugas o moho. Asegúrese de que los canales estén libres de suciedad después de la instalación.
- Fije los rebordes de la pared a lo largo de la parte superior de las paredes circundantes, en cada lugar donde haya un poste de madera. Si es necesario, añada cuñas para poner los postes en contacto con el reborde de la bañera de hidromasaje.

Fije las paredes circundantes (cont.)

- Cubra la estructura alrededor de la pared circundante de la bañera con el material de pared resistente al agua. Si va a cubrir los rebordes de la pared superior con material de pared resistente al agua, se requerirá un listón de enrasar de aproximadamente 1/4" (6 mm) de espesor en cada una de las esquinas posteriores en los lados de las paredes laterales.
- Selle las juntas entre la bañera y el material de la pared acabada con sellador 100% de silicona. Si desea, también puede sellar la junta horizontal superior entre la pared lateral y la posterior. Deje que el sellador de silicona se seque según las instrucciones del fabricante del sellador.

13. Termine la instalación



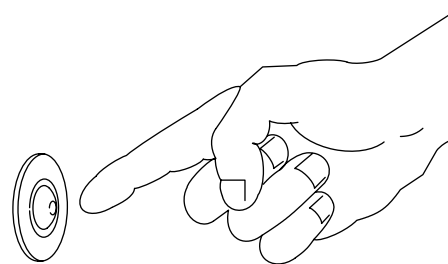
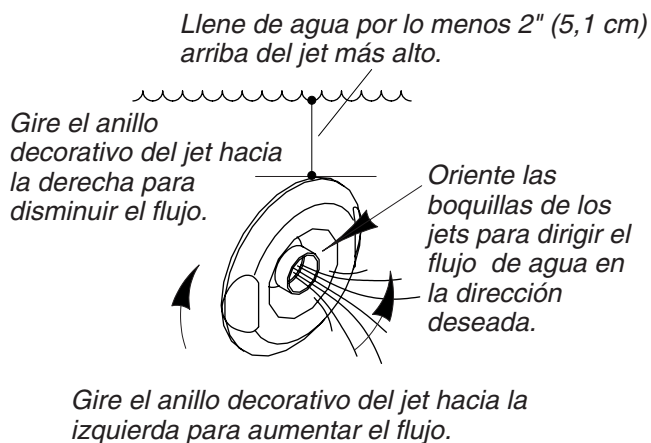
PRECAUCIÓN: Riesgo de daños a la propiedad. Verifique que exista un sello impermeable alrededor del desagüe y rebosadero.

- Conecte el desagüe a la trampa según las instrucciones del fabricante del desagüe.
- Instale la guarnición de la grifería, el surtidor de la bañera de hidromasaje, la puerta de ducha, y demás accesorios según las instrucciones de cada fabricante.
- Retire la cubierta protectora de la bañera de hidromasaje.
- Abra las líneas de suministro de agua, luego haga circular agua para eliminar la suciedad de las tuberías.
- Cierre las válvulas.
- Instale la cabeza de ducha según las instrucciones del fabricante.
- Revise que no haya fugas en las conexiones.



PRECAUCIÓN: Riesgo de daños a la propiedad. Si se han taladrado o se tienen que taladrar orificios para instalar correctamente el accesorio, recomendamos la aplicación de sellador 100% de silicona en los orificios taladrados antes de fijar el accesorio a las paredes circundantes con el fin de evitar la posibilidad de daños causados por el agua. Siga las instrucciones del fabricante del accesorio. Los accesorios mal instalados pueden causar fugas y anular la garantía.

- Si corresponde, aplique sellador 100% de silicona en los orificios taladrados anteriormente en las paredes circundantes. Consulte las instrucciones del fabricante del accesorio para fijar correctamente el accesorio a las paredes circundantes.
- Si corresponde, instale todos los demás accesorios conforme a las instrucciones del fabricante.
- Si va a instalar puertas de ducha, aplique sellador 100% de silicona en la separación donde los filos delanteros de las paredes laterales hacen contacto con la superficie de la bañera de hidromasaje. Esto evitará que el agua pase a través de la extrusión de la puerta de ducha hacia el lado posterior de la pared. Consulte las instrucciones del fabricante de la puerta de ducha para terminar la instalación de la puerta de ducha. Sólo aplique sellador de silicona donde se indique.
- Si va a utilizar una cortina de ducha, asegúrese de instalar la barra arriba de las paredes circundantes.



Presione el accionador de aire para encender o apagar la bañera de hidromasaje.

14. Confirme el funcionamiento correcto

Por favor, lea atentamente estos pasos antes de activar la bañera de hidromasaje.

- Verifique todas las conexiones eléctricas.
- Verifique que se hayan cortado las cintas de la bomba.
- Active el interruptor de circuito para la bomba de hidromasaje.

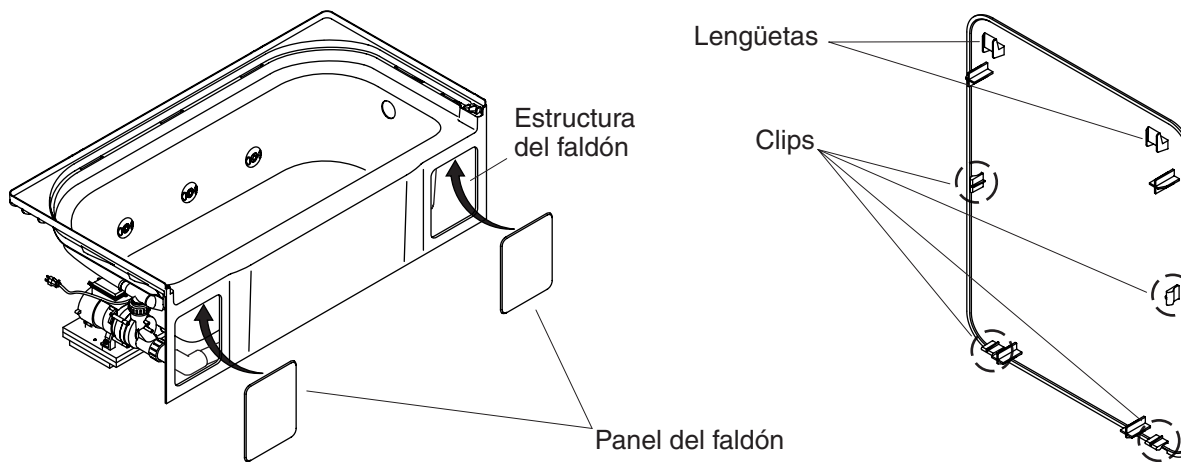
Llene la bañera de hidromasaje

- Llene la bañera de hidromasaje al menos 2" (5,1 cm) más arriba de la parte superior del jet más alto.

Secuencia de funcionamiento

NOTA: Si surge algún problema con la secuencia de funcionamiento, consulte la sección "Tabla para resolver problemas" en este manual o la Guía del usuario. La Guía del usuario también incluye la información sobre la garantía.

- Presione el accionador de aire para encender los jets de la bañera de hidromasaje.
- Verifique la bomba se encienda y funcione sin ruido o vibración excesivos.
- Verifique que el agua circule y fluya de cada jet.
- Ajuste cada jet grande para un flujo óptimo. Gire el anillo decorativo del jet hacia la derecha para reducir el flujo, y hacia la izquierda para aumentarlo.
- Después de 5 minutos, revise que no haya fugas en las conexiones de los tubos. Repare las fugas.
- Vuelva a oprimir el accionador de aire por segunda vez para apagar la bañera de hidromasaje.
- Verifique que la bomba se detenga.
- Vacíe la bañera de hidromasaje.



15. Instale el panel de acceso del faldón

¡IMPORTANTE! Riesgo de daños al producto. Asegúrese de que las lengüetas estén alineadas antes de presionar el panel del faldón en su lugar. El alineamiento incorrecto puede dañar los clips.

- Asegúrese de que el área del faldón esté libre de obstrucciones.
- Coloque el panel del faldón en la estructura del faldón.
- Deslice las lengüetas del panel del faldón debajo de la estructura del faldón hasta que las lengüetas enganchen y todos los clips se alineen con la abertura de la estructura del faldón.
- Presione el centro del panel del faldón hasta que encaje en su lugar.
- Repita este procedimiento con el segundo panel de faldón.

Tabla para resolver problemas

Esta guía para resolver problemas está diseñada únicamente como ayuda general. Todos los problemas eléctricos deben ser resueltos por un representante de servicio autorizado o un electricista calificado. Para obtener servicio cubierto por la garantía, póngase en contacto con el vendedor o el distribuidor mayorista.

Síntomas	Causas probables	Acción recomendada
1. La bañera de hidromasaje no se enciende/apaga.	A. El motor de la bomba no tiene alimentación eléctrica.	A. Encienda/reinicie el interruptor de circuito GFCI Revise el cableado.
	B. El accionador de aire no funciona.	B. Reemplace el accionador de aire. Revise el tubo de aire entre el accionador y la bomba. Reemplace de ser necesario.
	C. El motor/bomba no funciona.	C. Repare o reemplace el motor/bomba.
2. El motor se enciende, pero no todos los jets funcionan.	A. El jet está cerrado.	A. Gire el anillo decorativo del jet hacia la izquierda para abrirlo.
	B. El jet está obstruido.	B. Elimine la obstrucción.
3. La bañera de hidromasaje se detiene automáticamente.	A. El GFCI se ha disparado.	A. Identifique la causa de la falla y corrija.
	B. La succión está obstruida.	B. Elimine la obstrucción.
	C. Los jets están obstruidos.	C. Elimine la obstrucción.
	D. El motor se ha sobrecalentado, activando el dispositivo de protección.	D. Verifique que no haya obstrucciones en las ventilaciones del motor. Elimine la obstrucción y deje enfriar el motor.

Tabla para resolver problemas (cont.)

Síntomas	Causas probables	Acción recomendada
4. Funcionamiento ruidoso.	A. Las cintas metálicas de la bomba no se han cortado.	A. Corte las cintas metálicas con unas tijeras para chapa.
5. Se ha detectado una fuga bajo la bañera de hidromasaje.	A. Las tuberías presentan fugas.	A. Repare las fugas en las tuberías.
	B. El sellador o el empaque ha fallado en los orificios a través de las paredes acabadas, la puerta de la ducha o las paredes circundantes.	B. Reemplace los empaques o sellos que hayan fallado. Aplique sellador 100% de silicona transparente según sea necesario.
6. Se ha detectado moho (para las unidades con paredes circundantes).	A. El canal de desagüe está obstruido.	A. Utilice un objeto afilado de madera o de plástico para raspar el material acumulado en la junta. Aumente la frecuencia de limpieza.
7. Daños causados por el agua en las paredes acabadas.	A. La junta de la pared acabada no está sellada.	A. Selle la junta con sellador 100% de silicona transparente según las instrucciones del fabricante.

USA: 1-888-STERLING (1-888-783-7546)

México: 001-877-680-1310

SterlingPlumbing.com



©2008 Kohler Co.

1070292-2-D