

MODEL NUMBERS

MILLIVOLT

NAT. GAS
CDV155B

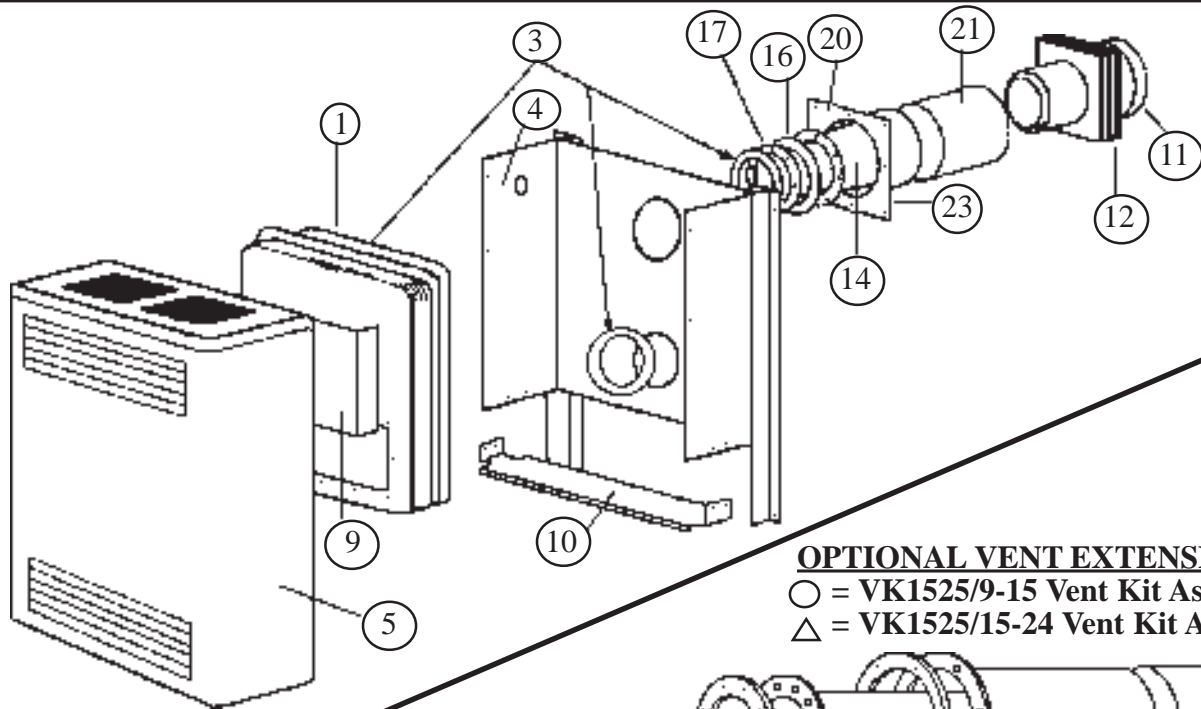
L.P. GAS
CDV156B

DIRECT VENT WALL FURNACE

PARTS LIST

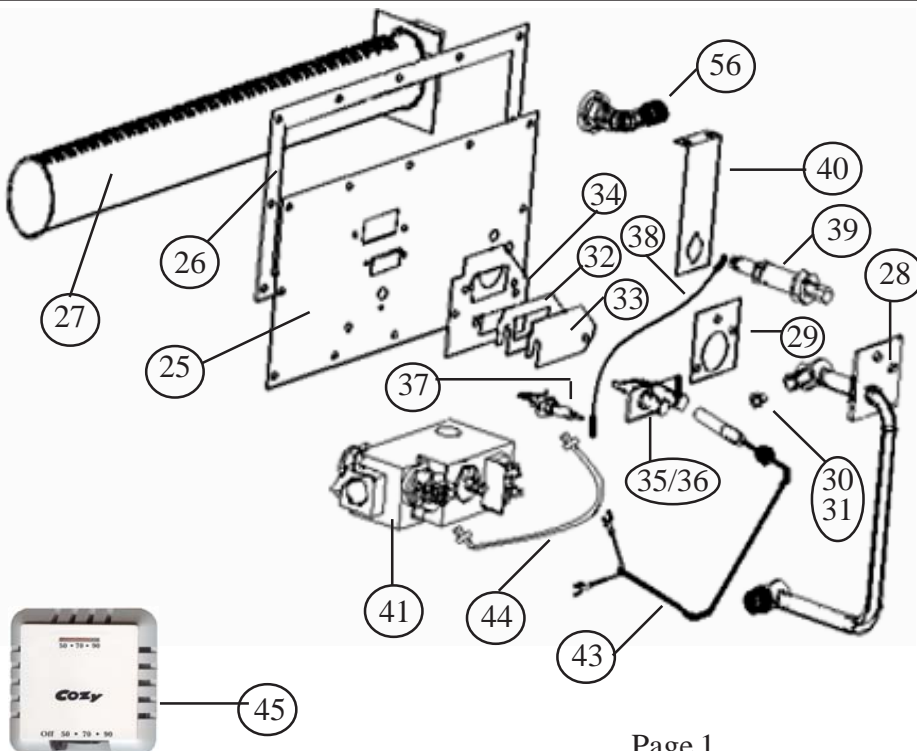
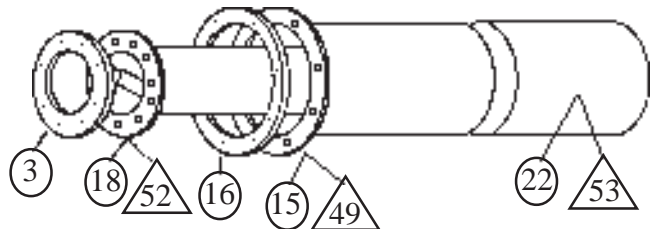
Prices and specifications subject to change without notice. All prices are F.O.B. factory.

COZY DIRECT VENT WALL FURNACE - CDV15-B

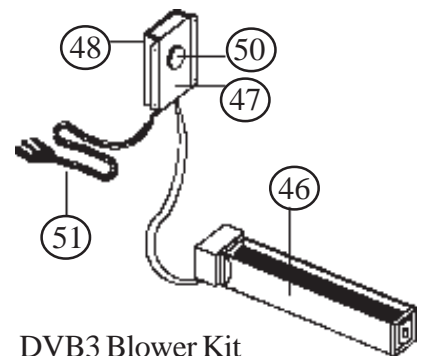


OPTIONAL VENT EXTENSIONS

- = VK1525/9-15 Vent Kit Assembly
- △ = VK1525/15-24 Vent Kit Assembly



OPTIONAL BLOWER ASSEMBLY / DVB-3



DVB3 Blower Kit
also includes:

- 43078 Cover Plate
- 43625 Blower Shield for CDV25/33

HOW TO PROPERLY ORDER PARTS: In addition to part description and part number, please give model number, serial number, and type of gas used. This information can be found on the rating plate located in control compartment.

| MODEL NUMBERS | NAT. | CDV155B | |
|---|----------|-------------|------------|
| | L.P. | CDV156B | |
| PART DESCRIPTION | REF. NO. | PART NUMBER | LIST PRICE |
| Heat Exchanger | 1 | 42565 | \$ 218.00 |
| Vent Exhaust Tube Gasket - 5-3/8" Circle | 3 | 70062 | \$ 2.40 |
| Wrapper Assembly w/Comb. Air Pan | 4 | 43051 | \$ 116.00 |
| Cabinet | 5 | 42555 | \$ 148.90 |
| Front Heat Shield | 9 | 43081 | \$ 9.60 |
| Bottom Heat Shield | 10 | 43075 | \$ 7.20 |
| Vent Cap & Spacer Plate | 11 & 12 | 43145 | \$ 136.70 |
| Air Intake Tube Assy. (5-9" Wall) 6-3/4" Dia. | 14 | 43200 | \$ 18.80 |
| Air Intake Tube Assembly (9-15" Wall) | 15 | 43810 | \$ 26.80 |
| Air Intake Tube Assembly (15-24" Wall) | 49 | 43705 | \$ 29.00 |
| Air Intake Tube Gasket - 8-1/2" Circle | 16 | 70061 | \$ 4.30 |
| Vent Exhaust Tube Assy. (5-9" Wall) 4-3/16" Dia. | 17 | 43209 | \$ 21.40 |
| Vent Exhaust Tube Assembly (9-15" Wall) | 18 | 43820 | \$ 25.20 |
| Vent Exhaust Tube Assembly (15-24" Wall) | 52 | 43717 | \$ 28.80 |
| Wall Thimble Assembly (5 - 9" Wall) | 20 | 43230 | \$ 15.30 |
| Wall Thimble Extension (5-9" Wall) | 21 | 43236 | \$ 5.70 |
| Wall Thimble Extension (9-15" Wall) | 22 | 43835 | \$ 12.40 |
| Wall Thimble Extension (15-24" Wall) | 53 | 43730 | \$ 18.20 |
| Wall Thimble Gasket - 11x11" | 23 | 70066 | \$ 2.00 |
| Burner Access Door | 25 | 43247 | \$ 9.70 |
| Heat Exchanger Door Gasket - 11-3/8x5-1/2"(Burner Gasket) | 26 | 70060 | \$ 11.40 |
| Main Burner | 27 | 70005 | \$ 52.10 |
| Manifold | 28 | 70031 | \$ 21.70 |
| Manifold Gasket - 2x2" | 29 | 70065 | \$ 1.60 |
| Main Burner Orifice, Natural Gas | 30 | 70040 | \$ 4.20 |
| Main Burner Orifice, L.P. Gas | 31 | 70041 | \$ 4.20 |
| Sight Glass | 32 | 43252 | \$ 8.00 |
| Sight Glass Cover | 33 | 43258 | \$ 1.90 |
| Sight Glass/Pilot Burner, Gasket - 3-1/2x2-3/4" | 34 | 70064 | \$ 1.60 |
| Pilot Burner Q350A2493, Natural Gas | 35 | 70007 | \$ 9.70 |
| Pilot Burner Q350A2501, L.P. Gas | 36 | 70008 | \$ 9.70 |
| Electrode | 37 | 70052 | \$ 9.60 |
| Electrode Wire | 38 | 70051 | \$ 3.40 |
| Piezo Sparker | 39 | 80016 | \$ 7.00 |
| Piezo Sparker Bracket | 40 | 43263 | \$ 3.40 |
| Valve, MV, Dexen 6003, Natural Gas for CDV155 | 41 | 84085 | \$ 166.60 |
| Valve, MV, Dexen 6003LP, L.P. Gas for CDV156 | 41 | 84086 | \$ 177.20 |
| Generator, Q313A1014 for CDV155 / CDV156 | 43 | 70098 | \$ 39.60 |
| Pilot Tubing w/fittings | 44 | 70012 | \$ 8.10 |
| Thermostat | 45 | 74592 | \$ 24.60 |
| Thermostat Wire | N/A | 74518 | \$ 1.70 |
| Insulated Staples | N/A | 74209 | \$ 1.60 |
| Air Pan Assembly w/Gasket for CDV15 | N/A | 43059 | \$ 22.30 |
| 90 Degree Elbow | 56 | 70352 | \$ 13.10 |
| Vent Terminal Shield | N/A | 34950 | \$ 74.60 |
| Blower Housing w/Motor & Blower | 46 | 70201 | \$ 130.70 |
| Junction Box | 47 | 43610 | \$ 5.10 |
| Junction Box Cover | 48 | 43620 | \$ 6.30 |
| Fan Switch 120 Degrees | 50 | 70110 | \$ 7.80 |
| Cord Set | 51 | 80202 | \$ 5.10 |
| Cover plate | N/A | 43078 | \$ 2.90 |

ATIN: CONTRACTORS and SERVICE TECHNICIANS, we only sell parts through our wholesalers, but the prices listed above are for your convenience. For prompt parts service, contact the wholesaler from which you purchased your Cozy heater. **NOTE:** parts and schematic drawings on current models are shown at www.cozyheaters.com.

MODEL NUMBERS

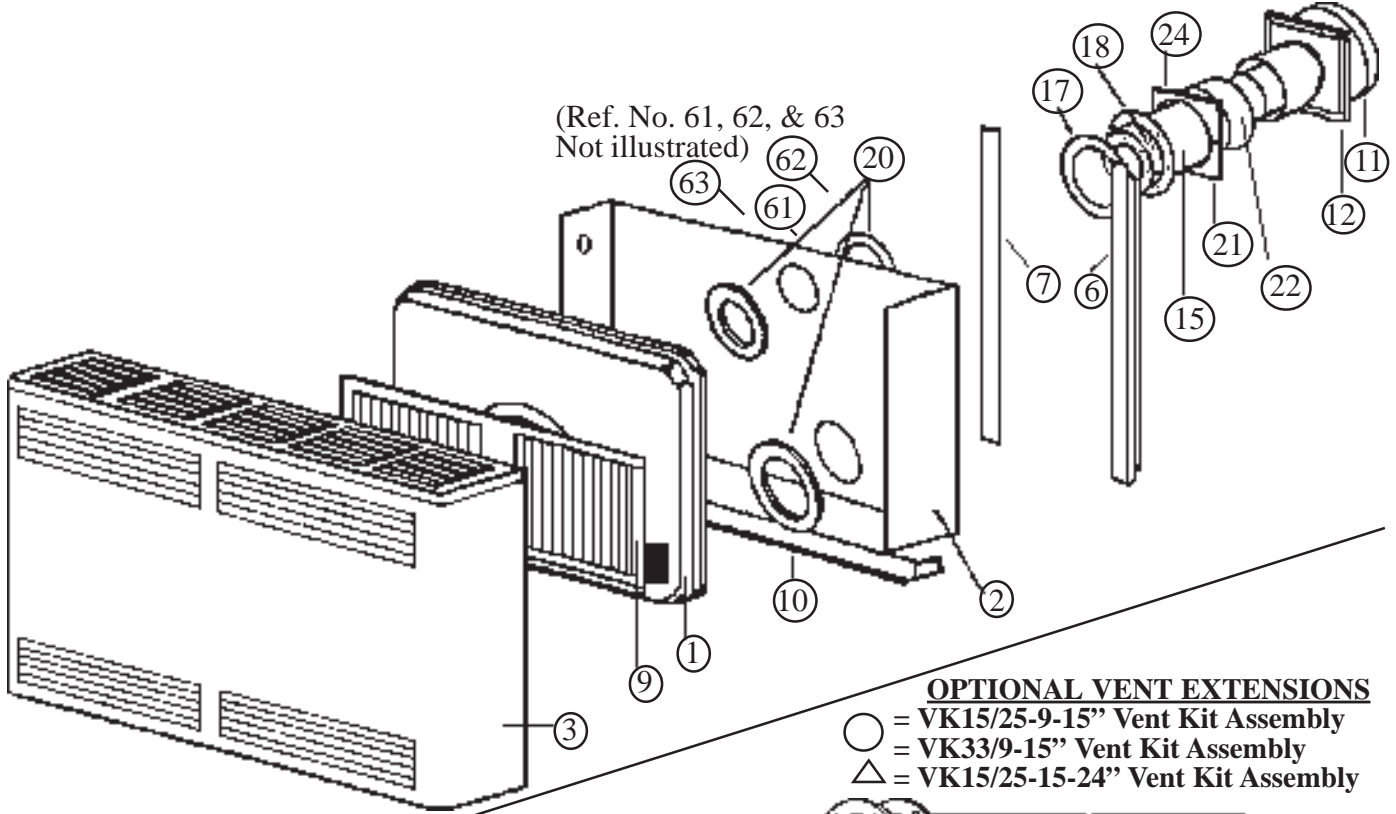
NATURAL GAS
CDV255B
CDV335B

L.P. GAS
CDV256B
CDV336B

**DIRECT VENT WALL FURNACE
 PARTS LIST**

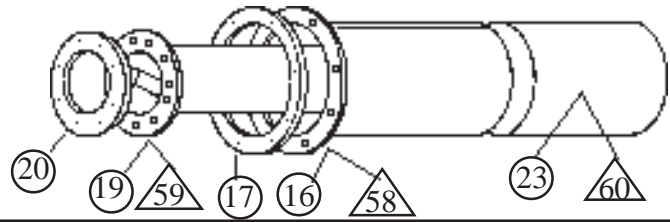
Prices and specifications subject to change
 without notice. All prices are F.O.B. factory.

COZY DIRECT VENT WALL FURNACE - CDV25-B / CDV33-B

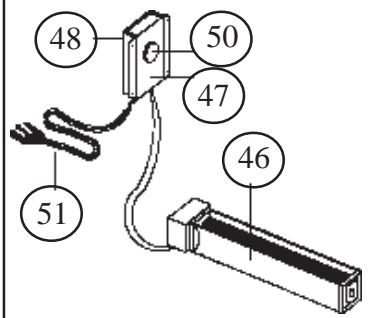
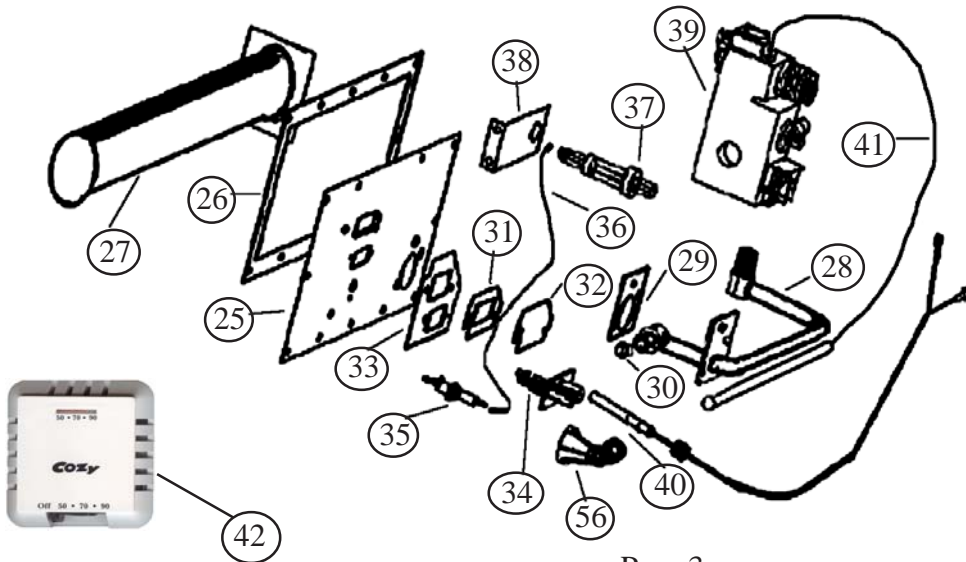


OPTIONAL VENT EXTENSIONS

- = VK15/25-9-15" Vent Kit Assembly
- = VK33/9-15" Vent Kit Assembly
- △ = VK15/25-15-24" Vent Kit Assembly



**OPTIONAL BLOWER
 ASSEMBLY / DVB-3**



DVB3 Blower Kit also includes:
 43078 Cover Plate
 43625 Blower Shield for CDV25/33

HOW TO PROPERLY ORDER PARTS: In addition to part description and part number, please give model number, serial number, and type of gas used. This information can be found on the rating plate located in control compartment.

| MODEL NUMBERS | NAT. | CDV255B | | CDV335B | |
|---|----------|----------|------------|----------|------------|
| | L.P. | CDV256B | | CDV336B | |
| PART DESCRIPTION | REF. NO. | PART NO. | LIST PRICE | PART NO. | LIST PRICE |
| Heat Exchanger Kit, INCLUDES Wrapper (Ref. # 2), Right and Left Leg (Ref. # 6 & 7), AND Comb. Air Pan Assembly w/Gaskets (Ref. # 63) | 1 | 42770 | \$ 352.80 | 42770 | \$ 352.80 |
| Cabinet | 3 | 42755 | \$ 234.00 | 42755 | \$ 234.00 |
| Leg, Right | 6 | 43495 | \$ 11.90 | 43495 | \$ 11.90 |
| Leg, Left | 7 | 43494 | \$ 11.90 | 43494 | \$ 11.90 |
| Front Heat Shield Assembly | 9 | 43481 | \$ 29.10 | 43481 | \$ 29.10 |
| Bottom Heat Shield Assembly | 10 | 43473 | \$ 13.00 | 43473 | \$ 13.00 |
| Vent Cap with Spacer Plate | 11 & 12 | 43145 | \$ 136.70 | 43145 | \$ 136.70 |
| Air Intake Tube Assy. (5-9" Wall) 6-3/4"Dia. | 15 | 43200 | \$ 18.80 | 43200 | \$ 18.80 |
| Air Intake Tube Assy. (9-15" Wall) | 16 | 43810 | \$ 26.80 | 43810 | \$ 26.80 |
| Air Intake Tube Assy. (15-24" Wall) | 58 | 43705 | \$ 29.00 | N/A | N/A |
| Air Intake Tube Gasket - 8-1/2" Circle | 17 | 70061 | \$ 4.30 | 70061 | \$ 4.30 |
| Vent Exhaust Tube Assy. (5-9" Wall) 4-3/16" dia. | 18 | 43530 | \$ 22.30 | 43539 | \$ 16.30 |
| Vent Exhaust Tube Assy. (9-15" Wall) | 19 | 43820 | \$ 25.20 | 43828 | \$ 25.20 |
| Vent Exhaust Tube Assy. (15-24" Wall) | 59 | 43717 | \$ 28.80 | N/A | N/A |
| Vent Exhaust Tube Gasket (Requires 4) 5-3/8" Circle | 20 | 70062 | \$ 2.40 | 70062 | \$ 2.40 |
| Wall Thimble (5-9" Wall) | 21 | 43552 | \$ 17.30 | 43552 | \$ 17.30 |
| Wall Thimble Extension (5-9" Wall) | 22 | 43236 | \$ 5.70 | 43236 | \$ 5.70 |
| Wall Thimble Extension (9-15" Wall) | 23 | 43835 | \$ 12.40 | 43835 | \$ 12.40 |
| Wall Thimble Extension (15-24" Wall) | 60 | 43730 | \$ 18.20 | N/A | N/A |
| Wall Thimble Gasket - 11x11" | 24 | 70066 | \$ 2.00 | 70066 | \$ 2.00 |
| Burner Access Door | 25 | 43247 | \$ 9.70 | 43247 | \$ 9.70 |
| Burner Access Door Gasket - 5-1/2x11-3/8" | 26 | 70060 | \$ 11.40 | 70060 | \$ 11.40 |
| Burner | 27 | 70006 | \$ 64.30 | 70006 | \$ 64.30 |
| Manifold | 28 | 70032 | \$ 22.80 | 70032 | \$ 22.80 |
| Manifold Gasket - 2x2" | 29 | 70065 | \$ 1.60 | 70065 | \$ 1.60 |
| Main Burner Orifice (Nat. Gas) | 30 | 70048 | \$ 4.20 | 70047 | \$ 4.20 |
| Main Burner Orifice (L.P. Gas) | 30 | 70039 | \$ 4.20 | 70049 | \$ 4.20 |
| Sight Glass | 31 | 43252 | \$ 8.00 | 43252 | \$ 8.00 |
| Sight Glass Cover | 32 | 43258 | \$ 1.90 | 43258 | \$ 1.90 |
| Sight Glass/Pilot Burner, Gasket - 3-1/2x2-3/4" | 33 | 70064 | \$ 1.60 | 70064 | \$ 1.60 |
| Pilot Burner Q350A2493 (Nat. Gas) | 34 | 70007 | \$ 9.70 | 70007 | \$ 9.70 |
| Pilot Burner Q350A2501 (L.P. Gas) | 34 | 70008 | \$ 9.70 | 70008 | \$ 9.70 |
| Electrode | 35 | 70052 | \$ 9.60 | 70052 | \$ 9.60 |
| Electrode Wire | 36 | 70051 | \$ 3.40 | 70051 | \$ 3.40 |
| Piezo Sparker | 37 | 80016 | \$ 7.00 | 80016 | \$ 7.00 |
| Piezo Sparker Bracket | 38 | 43263 | \$ 3.40 | 43263 | \$ 3.40 |
| Valve, M V, Dexen 6003, Natural Gas | 39 | 84085 | \$ 166.60 | 84085 | \$ 166.60 |
| Valve, M V, Dexen 6003LP, L.P. Gas | 39 | 84086 | \$ 177.20 | 84086 | \$ 177.20 |
| Pilot Generator, Q313A1014 Millivolt | 40 | 70098 | \$ 39.60 | 70098 | \$ 39.60 |
| Pilot Tubing w/fittings | 41 | 70012 | \$ 8.10 | 70012 | \$ 8.10 |
| Thermostat, Millivolt | 42 | 74592 | \$ 24.60 | 74592 | \$ 24.60 |
| Thermostat Wire | N/A | 74518 | \$ 1.70 | 74518 | \$ 1.70 |
| Insulated Staples | N/A | 74209 | \$ 1.60 | 74209 | \$ 1.60 |
| Gasket, Air Pan Top & Bottom (15-1/4x1) | 61 | *70074 | \$ 1.60 | *70074 | \$ 1.60 |
| Gasket, Air Pan Sides (25x1) | 62 | *70073 | \$ 1.60 | *70073 | \$ 1.60 |
| 90 Degree Elbow | 56 | 70352 | \$ 13.10 | 70352 | \$ 13.10 |
| Vent Terminal Shield | N/A | 34950 | \$ 74.60 | 34950 | \$ 74.60 |
| Blower Housing w/Motor & Blower | 46 | 70201 | \$ 130.70 | 70201 | \$ 130.70 |
| Junction Box | 47 | 43610 | \$ 5.10 | 43610 | \$ 5.10 |
| Junction Box Cover | 48 | 43620 | \$ 6.30 | 43620 | \$ 6.30 |
| Fan Switch 120 degree | 50 | 70110 | \$ 7.80 | 70110 | \$ 7.80 |
| Cord Set | 51 | 80202 | \$ 5.10 | 80202 | \$ 5.10 |
| Cover Plate | N/A | 43078 | \$ 2.90 | 43078 | \$ 2.90 |
| Blower Shield | N/A | 43625 | \$ 15.90 | 43625 | \$ 15.90 |
| Left Air Intake Baffle | N/A | 43528 | \$ 4.70 | 43528 | \$ 4.70 |
| Right Air Intake Baffle | N/A | 43526 | \$ 4.00 | 43526 | \$ 4.00 |

ATTN: CONTRACTORS and SERVICE TECHNICIANS, we only sell parts through our wholesalers, but the prices listed above are for your convenience. For prompt parts service, contact the wholesaler from which you purchased your Cozy heater. NOTE: Parts & schematic drawings on current models are shown at www.cozyheaters.com.