



# Instruction Sheet

## ROOM THERMOSTAT

MODEL NO. 568-20

102-065

Supersedes Form No. F102-066, 102-065 dated 4/1/92

Effective: November 8, 2003

Plant I.D. No. 001-975

This low voltage thermostat is designed to provide convenient control of the heating system. To provide greater room comfort, the sensitive spiral bimetal is combined with an adjustable heating anticipator to provide maximum comfort.

### **WARNING**

**Do not use this thermostat on circuits exceeding 30 volts. Higher voltage will damage control and could cause shock or fire hazard.**

### **SPECIFICATIONS:**

#### **ELECTRICAL DATA**

**Switch Rating:** 24 VAC (30 VAC max.)

Heating - 0.15 to 1.2 Amps

**Switch Action:** Snap Action (with dust cover)

**Heat Anticipator Rating:**

Adjustable from 0.15 to 1.2 Amps

Factory preset at 0.9 Amps

#### **THERMAL DATA**

**Temperature Range:** 50°F to 90°F (10°C to 32°C)

**Thermometer Range:** 50°F to 90°F (10°C to 32°C)

**Differential:** 1°F

**Dimensions:** 4.5" wide x 2.75" high x 1.47" deep

### **HOMEOWNER NOTE:**

**Temperature Selection:** After the thermostat has been installed, to select a desired temperature, move the temperature selection lever (see fig. 1). The selected temperature is indicated on the scale at the right side of the thermostat. The actual room temperature is indicated by the pointer on the thermometer at the left side of the thermostat. Remember that the difference between a comfortable room temperature and one that is uncomfortable is usually only one or two degrees. Make **small** adjustments to the temperature selection lever when the room temperature becomes uncomfortable.

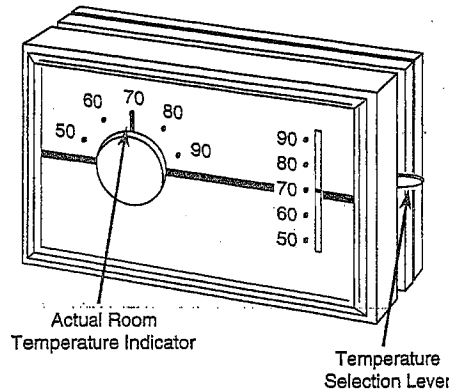


Figure 1

### **SELECT THERMOSTAT LOCATION**

Proper location insures that the thermostat will provide a comfortable home temperature. Observe the following general rules when selecting a location:

1. Locate thermostat about 5 ft. above the floor.
2. Install thermostat on a partitioning wall, not on an outside wall.
3. Never expose thermostat to direct light from lamps, sun, fireplaces or any temperature radiating equipment.
4. Avoid locations close to windows, adjoining outside walls, or doors that lead outside.
5. Avoid locations close to air registers or in the direct path of air from them.
6. Make sure there are no pipes or duct work in that part of the wall chosen for the thermostat location.
7. Never locate thermostat in a room that is warmer or cooler than the rest of the home, such as the kitchen.
8. Avoid locations with poor air circulation, such as behind doors or in alcoves.
9. The living or dining room is normally a good location, provided there is no cooking range or refrigerator on opposite side of wall.

## **Do it Once. Do it Right.**

TACO, INC., 1160 Cranston Street, Cranston, RI 02920 Telephone: (401) 942-8000 FAX: (401) 942-2360  
TACO (Canada), Ltd., 6180 Ordan Drive, Mississauga, Ontario L5T 2B3. Telephone: 905/564-9422. FAX: 905/564-9436

Visit our web site at: <http://www.taco-hvac.com>

Printed in USA

Copyright 2003

TACO, Inc.

### ATTENTION!

This product does not contain mercury. However, this product may replace a unit which contains mercury.

Do not open mercury cells. If a cell becomes damaged, do not touch any spilled mercury. Wearing non-absorbent gloves, take up the spilled mercury with sand or other absorbent material and place into a container which can be sealed. If a cell becomes damaged, the unit should be discarded.

Mercury must not be discarded in household trash. When the unit this product is replacing is to be discarded, place in a suitable container and return it to White-Rodgers at 2895 Harrison Street, Batesville, AR 72501 for proper disposal

### ROUTE WIRES TO LOCATION

#### NOTE

All wiring must conform with local and national electrical codes and ordinances.

1. If an old thermostat is being replaced and is in a satisfactory location, and the wiring appears to be in good condition, use existing wiring. If in doubt, re-wire.
2. If a new location is chosen or if this is a new installation, thermostat wiring must first be run to the location selected.
3. Probe for obstructions in partition before drilling  $\frac{1}{2}$ " hole in wall at selected location. Take up quarter round and drill a small guide hole for sighting (see fig. 2). From basement, drill  $\frac{3}{4}$ " hole in partition floor next to guide hole. In houses without basements, drill  $\frac{1}{2}$ " hole through ceiling and into partition from above (see fig. 2).

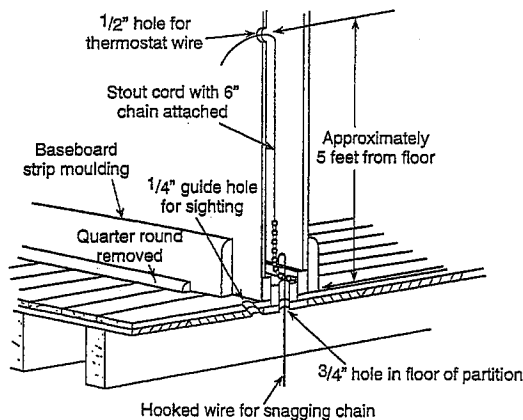


Figure 2. Routing thermostat wires

4. Through this hole drop a light chain, or 6" chain attached to a strong cord. Snag cord in basement with hooked wire. In houses without basements, drop cord through hole in ceiling and down partitioning; snag cord at the thermostat location.
5. Attach thermostat wires to cord and pull thermostat wires through hole in wall so that 6" of wire protrudes.

### ATTACHING THERMOSTAT TO WALL

#### CAUTION

To prevent electrical shock and/or equipment damage, disconnect electric power to system, at main fuse or circuit breaker box, until installation is complete.

Take care when securing and routing wires so they do not short to adjacent terminals or rear of thermostat. Personal injury and/or property damage may occur.

#### NOTE

This typical wiring diagram shows only the terminal identification and wiring hookup. Always refer to wiring instructions, provided by equipment manufacturer, for system hookup operation.

1. Remove cover from thermostat by gripping the base in one hand. Use the other hand to pull gently at the top or bottom of the cover.
2. Carefully remove the shipping protective packing from the switch.
3. Pull wires through the opening in the thermostat base and connect wires beneath the terminal screws (see Fig. 2 & 3).
4. Push excess wiring back into wall and plug hole with fire resistant material (such as fiberglass insulation) to prevent drafts from affecting thermostat operation.
5. Position thermostat base over hole in wall and mark mounting hole location on wall.
6. Drill mounting hole.
7. Fasten base loosely to wall using mounting screws. Place a level against the top of the thermostat base, adjust until level, and tighten mounting screws to secure base. If holes in wall are too large and do not allow you to tighten the mounting screws securely, use plastic expansion plugs.

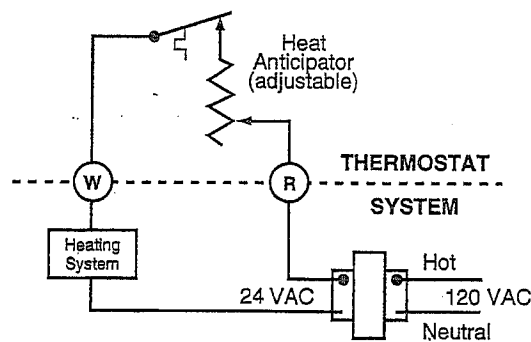


Figure 3. Wiring Diagram

8. Snap cover on the thermostat base and set temperature lever to desired setpoint.
9. Turn on electrical power to system.

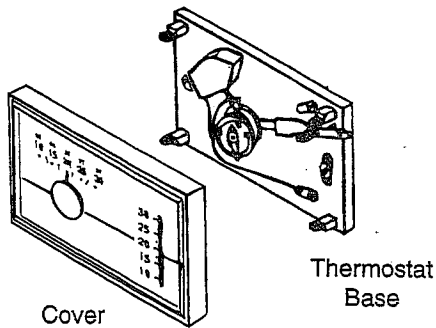


Figure 4. Routing thermostat wires

## ADJUSTING HEAT ANTICIPATOR

### **CAUTION**

The adjustable heat anticipator **WILL BURN OUT** if 25 VAC is applied directly to the thermostat by shorting out the primary control during testing. This may cause personal injury and/or property damage.

This thermostat is equipped with an adjustable heat anticipator and was preset at the factory to provide satisfactory operation of the heating system under normal conditions. If additional adjustments are necessary, they may be made as follows (see fig. 5):

1. Remove thermostat cover.
2. If heat cycle is too long, set heat anticipator to a slightly lower dial setting ( $1\frac{1}{2}$  division).
3. If heat cycle is too short, set heat anticipator to a slightly higher dial setting ( $1\frac{1}{2}$  division).
4. Replace thermostat cover.

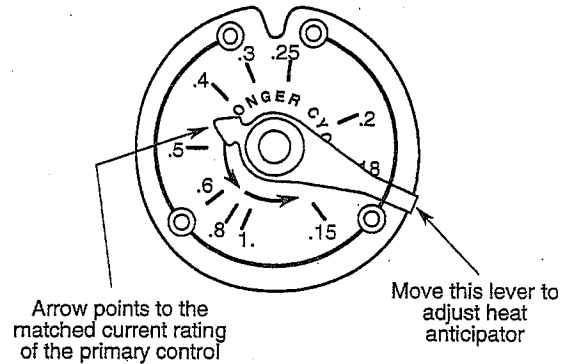


Figure 5. Anticipator adjustment

## Limited Warranty Statement

Taco, Inc. ("Taco" or the "Company") will repair or replace without charge (at the Company's option) any Taco product or part which is proven defective under normal use within one (1) year of the date of first use or within one (1) year and six (6) months of shipment from Taco (whichever occurs first).

In order to obtain service under this warranty, it is the responsibility of the purchaser to promptly notify the local Taco stocking distributor or Taco in writing and promptly deliver the subject product or part, delivery prepaid, to the stocking distributor. For assistance on warranty returns, the purchaser may either contact the local Taco stocking distributor or Taco. If the subject product or part contains no defect as covered in this warranty, the purchaser will be billed for parts and labor charges in effect at time of factory examination and repair.

Any Taco product or part not installed or operated in conformity with Taco instructions or which has been subject to misuse, misapplication, the addition of petroleum-based fluids or certain chemical additives to the systems, or other abuse, will not be covered by this warranty.

If in doubt as to whether a particular substance is suitable for use with a Taco product or part, or for any application restrictions, consult the applicable Taco instruction sheets or contact Taco at [401-942-8000].

Taco reserves the right to provide replacement products and parts which are substantially similar in design and functionally equivalent to the defective product or part. Taco reserves the right to make changes in details of design, construction, or arrangement of materials of its products without notification.

TACO OFFERS THIS WARRANTY IN LIEU OF ALL OTHER EXPRESS WARRANTIES. ANY WARRANTY IMPLIED BY LAW INCLUDING WARRANTIES OF MERCHANTABILITY OR FITNESS IS IN EFFECT ONLY FOR THE DURATION OF THE EXPRESS WARRANTY SET FORTH IN THE FIRST PARAGRAPH ABOVE.

THE ABOVE WARRANTIES ARE IN LIEU OF ALL OTHER WARRANTIES, EXPRESS OR STATUTORY, OR ANY OTHER WARRANTY OBLIGATION ON THE PART OF TACO.

TACO WILL NOT BE LIABLE FOR ANY SPECIAL, INCIDENTAL, INDIRECT OR CONSEQUENTIAL DAMAGES RESULTING FROM THE USE OF ITS PRODUCTS OR ANY INCIDENTAL COSTS OF REMOVING OR REPLACING DEFECTIVE PRODUCTS.

This warranty gives the purchaser specific rights, and the purchaser may have other rights which vary from state to state. Some states do not allow limitations on how long an implied warranty lasts or on the exclusion of incidental or consequential damages, so these limitations or exclusions may not apply to you.

Taco, Inc.  
1160 Cranston Street  
Cranston, RI 02920  
1.401.942.8000  
<http://www.taco-hvac.com>