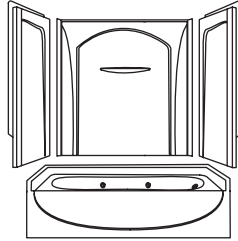


Installation Guide

Whirlpool Bath and Wall Surrounds

7609 Series



Français, page "Français-1"
Español, página "Español-1"

STERLING
A KOHLER COMPANY

1016903-2-F

Installation Instructions



WARNING: When using electrical products, always follow basic precautions, including the following:



DANGER: Risk of electric shock. To reduce the risk of electrical shock, connect the pump or blower only to a properly installed Ground-Fault Circuit-Interrupter (GFCI). Do not remove the plug grounding pin. Do not use a grounding adapter.



WARNING: Risk of injury or property damage. Please read all instructions thoroughly before beginning the installation, including the following requirements.



WARNING: Risk of electric shock. A qualified electrician should make all electrical connections.



WARNING: Risk of electric shock. Disconnect power before servicing.

Building materials and wiring should be routed away from the pump or blower body and other heat-producing components of the unit.

Grounding is required. The unit should be installed by a qualified service representative and grounded.

Install to permit access for servicing.

An equipment grounding terminal is provided in the field wiring compartment. To reduce the risk of electric shock, this terminal must be connected to the grounding means provided in the electric supply panel with a conductor equivalent in size to the circuit conductors supplying this equipment.

Install this unit in accordance with the Canadian Electrical Code, Part I.

NOTE: Follow all local plumbing, building, and electrical codes.

Product Information

Electrical Requirements

NOTE: If the supply cord is damaged, it must be replaced by the manufacturer, its service agent, or similarly qualified persons in order to avoid a hazard.

The installation must include a Class A Ground-Fault Circuit-Interrupter (GFCI). The GFCI protects against line-to-ground shock hazard. Use a 120 V, 15 A, 60 Hz dedicated service for the whirlpool.

Product Notices



WARNING: Unauthorized modification of the pump may cause unsafe operation and poor performance of the whirlpool. Do not relocate the whirlpool pump or make other modifications to the whirlpool system, as this could adversely affect the performance and safe operation of the whirlpool. Sterling Plumbing shall not be liable under its warranty or otherwise for personal injury or damage caused by any such unauthorized modification.

Factory-Assembled Features

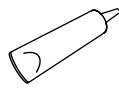
Factory installed components include pump with power supply cord, air switch transmitter, and whirlpool jets with suction fitting.

Connections and Service Access

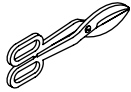
Before installation, verify proper access to the final connections.

NOTICE: Provide unrestricted service access to the pump.

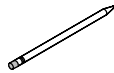
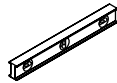
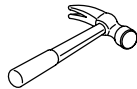
Tools and Materials



Clear 100%
Silicone Sealant



Tin Snips



Plus:

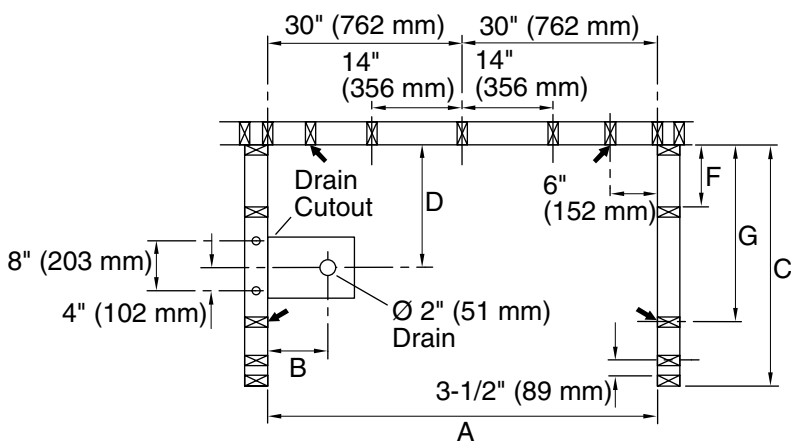
- Conventional woodworking tools and materials
- Drop cloth
- Mortar cement (recommended)
- 1x4s, and 2x4s or 2x6s
- Hole saw
- Galvanized or plated non-tapered flathead screws
- Furring Strips

Before You Begin

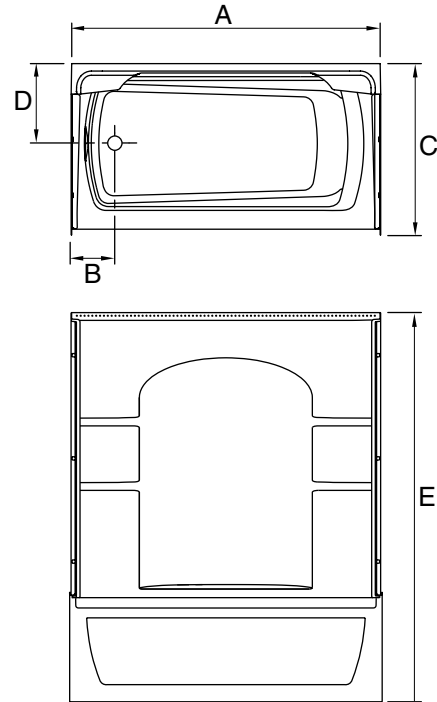
NOTICE: Risk of product damage. The wall surround sections are backed with foam to bring the back of the wall into contact with the stud framing. This foam is **not** packing material. Do not remove.

NOTICE: Risk of product damage. Do not install the whirlpool over open floor joists. The basin area requires no additional support when the subfloor is level and square with the stud framing. Install the whirlpool on an adequately supported, level subfloor. Use shims for additional support if the subfloor is uneven.

- Observe all applicable plumbing, electrical, and building codes.
- This whirlpool is designed for alcove installations.
- Upon receipt, check for shortages or damage. Report any shortages or damage immediately.
- Do not remove the old fixture before you unpack and inspect the new unit.
- Store the whirlpool and wall surrounds in a safe place until you begin installation to avoid damage.
- If remodeling, measure the existing framework before removing the old whirlpool to make sure that the new whirlpool will fit. Make sure that the drain is in the correct location.
- Confirm adequate mounting and connection space for the water supply and drain installation.
- If your whirlpool is shipped with a liner, keep the liner in place until construction is complete. If a liner is not available, position a clean drop cloth or similar material in the bottom of the whirlpool.
- If you encounter any installation or performance problems, please do not hesitate to contact Sterling at 1-888-STERLING in the USA or 001-877-680-1310 in Mexico.
- Sterling reserves the right to make revisions in the design of products without notice, as specified in the Price Book.



 Recommended Support Clip Location (4 Total)



Diagrams shown are representative and for use with the table only. Your fixture may appear different from the illustrations.

Roughing-In

	A	B	C	D	E	F	G
76090100	60" (1524 mm)	8-3/4" (222 mm)	31-1/2" (800 mm)	14-1/4" (362 mm)	73-1/2" (1867 mm)	8" (203 mm)	22-1/4" (565 mm)

IMPORTANT! Dimensions given in the roughing-in information are critical for proper installation. Construct the framing and plumbing accurately.

IMPORTANT! All dimensions are nominal. The stud opening tolerance is plus 1/8" (3 mm) and minus 0.

IMPORTANT! Unless otherwise specified, the floor support under the whirlpool must provide a minimum of 80 pounds per square foot (390 kilograms per square meter) loading.

NOTE: If a firewall is required, roughing-in dimensions must be increased according to the thickness of the firewall material. Stud opening dimensions must be measured toward the exposed side of the wall material.

NOTE: If installing this unit to a masonry wall, make provisions for plumbing connections. Construct a separate frame wall at least 6" (152 mm) from the masonry wall.

The whirlpool and optional wall surrounds can be installed directly to the framing studs, over wallboard, or over other water-resistant material. When installing over wallboard or other water-resistant wall material, the framing dimensions must be increased to accommodate the material thickness.

For whirlpools with wall surrounds, installing accessories that require backing or support is not recommended.

Install an access panel at the drain end of the whirlpool. The access panel is not shown.

1. Framing Construction

Install the Framing

IMPORTANT! Dimensions given in the roughing-in information are critical for proper installation. Refer to the "Roughing-In" section for dimensions.

IMPORTANT! For installations with wall surrounds, provide support for the vertical wall flanges at 31-1/2" (800 mm).

IMPORTANT! The framing for each stud should be plumb and square to within 1/8" (3 mm). Shimming may be required.

- Carefully measure the whirlpool.
- Construct 2x4 framing using the dimensions specified in the "Roughing-In" section.
- Construct an 18" x 15" (457 mm x 381 mm) access panel to allow for servicing the pump and controls. All studs above the cutout must be well supported on the header.
- If possible, remove the bottom plate.
- Construct an access panel to allow access for servicing the faucets and drain.

IMPORTANT! For installations with wall surrounds, do not allow fiber or other soft insulation to drop down into the back channel, as this could damage the whirlpool.

- For installations with wall surrounds, cover or seal any loose material.

NOTE: If the apron flanges will not be used or have been accidentally broken off during shipping, install three evenly distributed 2x4 blocks behind the apron location. The blocks will prevent the apron from being damaged and may be used to secure the apron behind a baseboard.

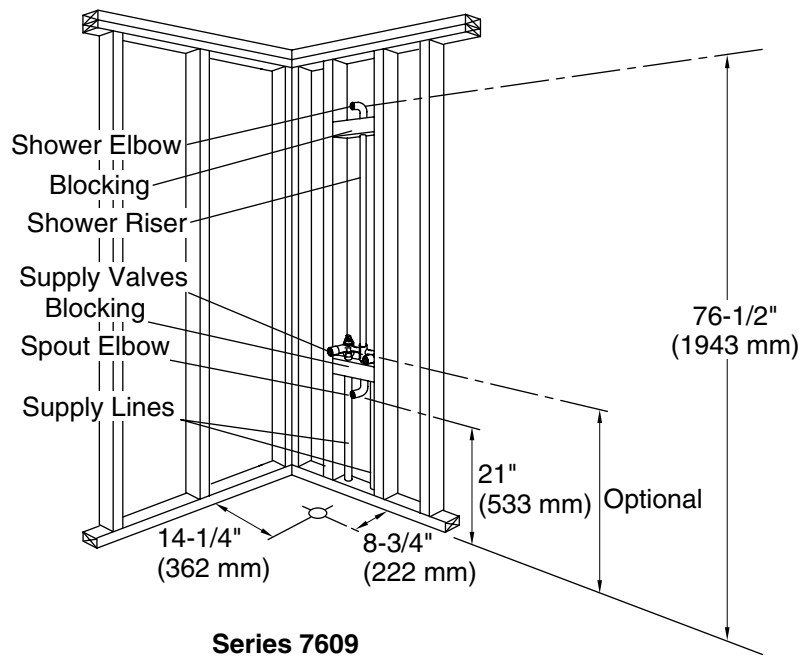
Construct the Floor

IMPORTANT! Construct the floor of plywood. If the whirlpool is installed over material other than plywood, friction may cause squeaking over time.

- If the subfloor is constructed of a material other than plywood, position the supplied felt pad so all supports will rest on it.
- Verify that the apron flanges can be secured to studs, or install three 2x4 blocks behind the apron location.

NOTE: The "Roughing-In" section indicates the location of the drain.

- Cut a hole in the floor large enough to fit the drain assembly selected for your installation.



2. Install the Rough Plumbing

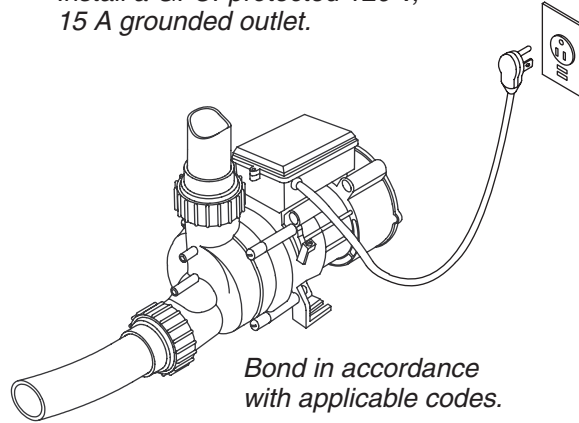
NOTE: Provide access to all plumbing connections to simplify future maintenance.

- Locate the rough plumbing for the drain according to the roughing-in dimensions.

NOTE: If the plumbing will be installed on the unfinished stud wall, install the supplies **after** the surround walls are installed.

- Position the water supplies according to the roughing-in information. Cap the supplies and check for leaks.
- Strap the supply lines to the stud framing.
- Install the valves according to the manufacturer's instructions. Do not install the trim at this time.

*Install a GFCI-protected 120 V,
15 A grounded outlet.*



*Bond in accordance
with applicable codes.*

3. Install the Electrical Outlet

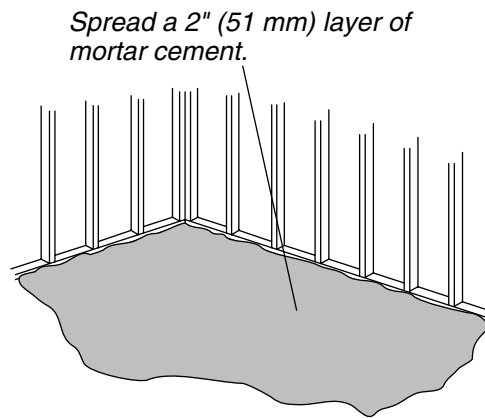


CAUTION: Risk of personal injury. Do not turn on the power until instructed to do so.

NOTE: The whirlpool is equipped with a cord and plug. All pump and control wiring has been completed at the factory.

NOTE: Refer to the label near the pump. This label identifies the electrical rating and model number of the whirlpool.

- Install a GFCI-protected, 120 V, 15 A grounded outlet behind the whirlpool and within 24" (610 mm) of the pump location. No other load should be on this circuit.
- Install a bonding (grounding) conductor at the future location of the pump in accordance with any applicable local codes.



4. Prepare the Whirlpool

Prepare the Whirlpool

NOTE: If your whirlpool is shipped with a liner, keep the liner in place until construction is complete. If a liner is not available, position a clean drop cloth or similar material in the bottom of the whirlpool.

- Install the whirlpool drain and overflow to the unit according to the drain manufacturer's instructions. Do not connect the trap at this time.
- If the subfloor is not constructed of plywood, position the provided felt pad so the whirlpool supports will rest on it.

IMPORTANT! Risk of product damage. Do not lift the whirlpool by the apron or apron braces, or by the piping or pump. Do not use the piping or pump for structural support of the whirlpool.

IMPORTANT! Ensure that each apron brace is connected at all bosses.

IMPORTANT! Use care to properly position the whirlpool in the alcove, as proper placement is critical for attachment to the studs. Clear all material away from the pump support bracket area and the whirlpool supports. The pump support bracket and the whirlpool supports must rest directly on the subfloor.

- Carefully lift the whirlpool into place.
- Make sure the pump support bracket and whirlpool supports do not rest in the bed material.
- Verify that the whirlpool is properly positioned with respect to the intended finished wall. Depending on the installation, the outer edge of the whirlpool should be flush with the intended finished wall at floor level.
- Verify that the whirlpool is level and resting on all supports. The whirlpool should be within 1/8" (3 mm) of level from side to side, and within 1/4" (6 mm) of level lengthwise. If the whirlpool is not level, remove the whirlpool and place shims under the supports.

Install a Mortar Bed (Recommended)

- Remove the whirlpool from the alcove.

NOTE: The whirlpool supports must rest directly on the subfloor.

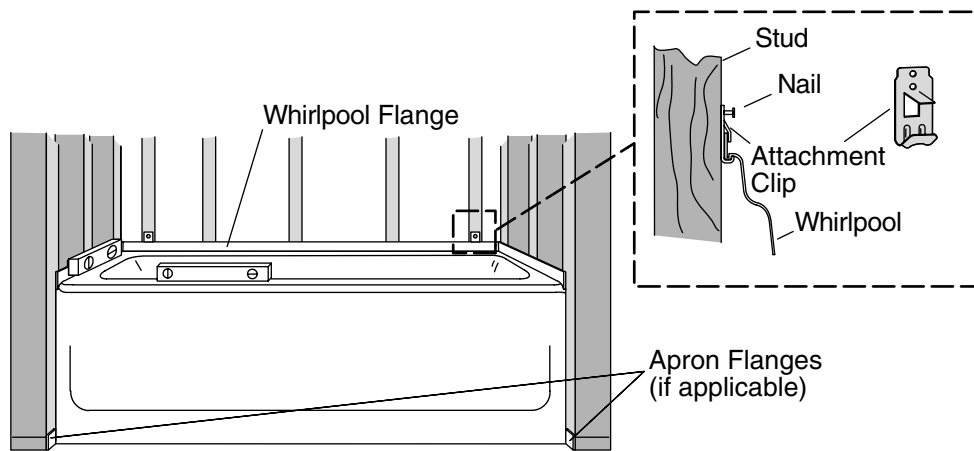
- Build a dam to keep the flooring material clear of the drain area.

NOTE: Do not use gypsum cement or drywall compound for this application, as they will not provide adequate support.

NOTE: Do not spread mortar around the whirlpool supports.

Prepare the Whirlpool (cont.)

- Spread a 2" (51 mm) layer of mortar on the subfloor.
- Remove the dam.
- Move the whirlpool into position.
- Make sure the pump support bracket does not rest in the bed material.
- Verify that the whirlpool is level and resting on all supports.



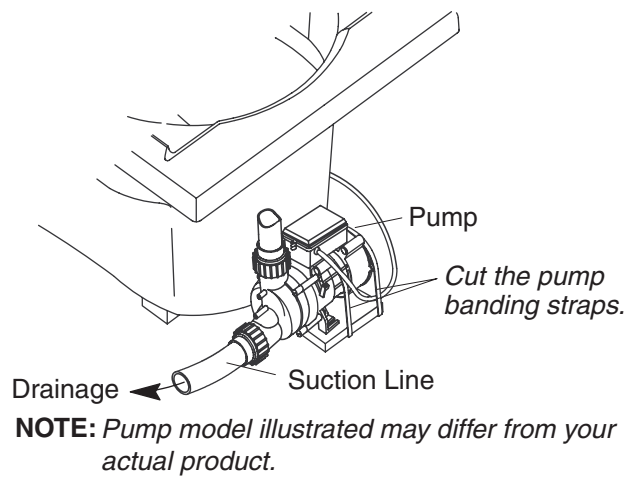
5. Secure the Whirlpool to the Stud Framing

This whirlpool is designed for installation into regularly spaced framing. If there is a gap between the edge of the whirlpool and the stud, then add shimming to the stud to bring the stud to within 1/8" (3 mm) of the whirlpool.



CAUTION: Risk of property damage. Do not nail or drill through the whirlpool flange, as this may crack the flange and cause leaks.

- Position the bottom lip of the attachment clip at the side of the stud and under the edge of the whirlpool. Slide the adjustment clip into place between the center of the stud and the whirlpool.
- Bend the tab of the clip over the whirlpool flange with a pair of pliers.
- Secure the attachment clip to the center of the stud using either large-head roofing nails or non-tapered flathead screws.



6. Cut the Pump Banding Straps

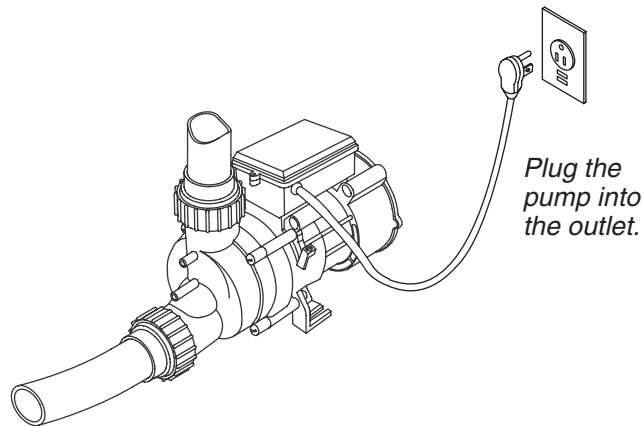
IMPORTANT! This step is necessary to make your whirlpool operate more quietly.

IMPORTANT! Do not raise the pump higher than it was before you cut the pump banding straps. If the pump is raised too high, it will not prime properly.

- Cut the two pump banding straps from the whirlpool pump with a pair of tin snips. Discard the banding straps.
- Make sure the pump is not in direct contact with the whirlpool harness.

7. Connect the Drain

- Connect the drain to the trap according to the manufacturer's instructions.
- Check the drain connections for leaks.



8. Make Electrical Connections

Make Connections



WARNING: Risk of electric shock. To reduce the risk of electrical shock, connect the pump only to a properly installed Ground-Fault Circuit-Interrupter (GFCI). Do not remove the plug grounding pin. Do not use a grounding adapter.

- Verify that the air actuator tubing is securely attached to the pump and to the air switch button in the whirlpool.
- Make sure the tubing is not kinked or damaged, and that the tubing slips into place on adapters at the switch and at the pump.
- Visually inspect the whirlpool pump and piping harness for damage.
- Verify that the bonding conductor is connected to the pump in accordance with the applicable codes.
- Plug the electrical cord into the GFCI outlet.

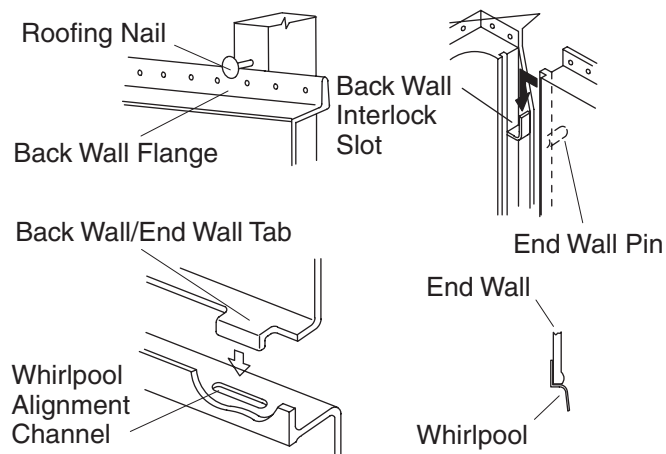
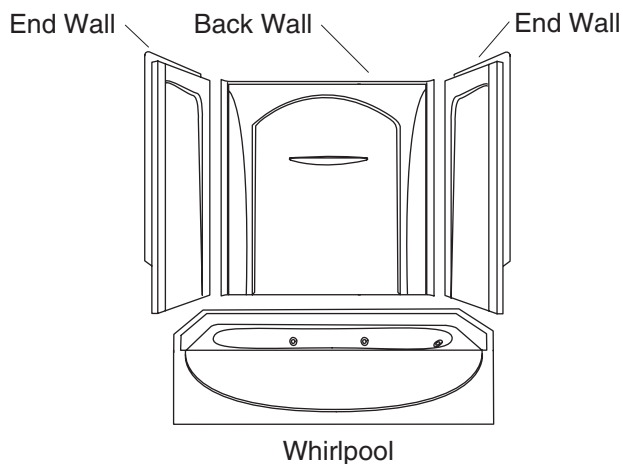
Test Run the Whirlpool

For additional information on whirlpool operation, see the "Confirm Proper Operation" section of this guide.



CAUTION: Risk of property damage. Do not fill the whirlpool above the bottom of the overflow drain. Doing so may cause the whirlpool piping to leak. The whirlpool is not designed to hold water above the overflow.

- Check all electrical connections and make sure the electrical power to the whirlpool is turned on.
- Verify that the pump banding straps have been cut.
- Fill the whirlpool with water to at least 2" (51 mm) above the top of the highest jet.
- Operate the whirlpool for 5 minutes. Check all whirlpool piping connections for leaks.
- Turn off the whirlpool, then drain.



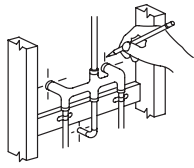
9. Pre-Fit the Wall Surrounds

IMPORTANT! Do not secure the walls to the stud framing until instructed to do so.

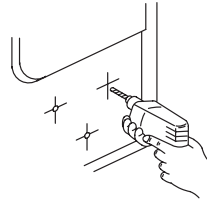
NOTE: If the shower valves or controls prevent the plumbing wall section from being properly positioned before the necessary holes are cut, cut the holes according to the "Cut Holes for the Valves and Spout" section and then return to this procedure.

NOTE: When installing the back wall, fit the back wall tabs into the whirlpool alignment channels, as shown.

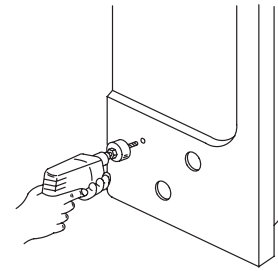
- Position the back wall on the whirlpool.
- Temporarily secure the back wall over the whirlpool flange with a roofing nail or other fastener. Install the fastener so that it can be removed easily. Do not drive the nail in so far that it prevents the back wall from positioning properly when the end walls are installed.
- Attach the two end walls to the back wall. Slide the end wall pins into the back wall interlock slots.
- Verify that the assembled wall surround is resting properly on the whirlpool. If the wall surround needs to be adjusted, remove the roofing nail at the back wall.
- Verify that the end walls are flush with the edge of the whirlpool. If necessary, shift the end walls until they are flush.
- Verify that the wall sections are properly aligned with the studs at the upper and vertical wall flanges.



1. Mark center of valves and spout.



2. Drill pilot holes.



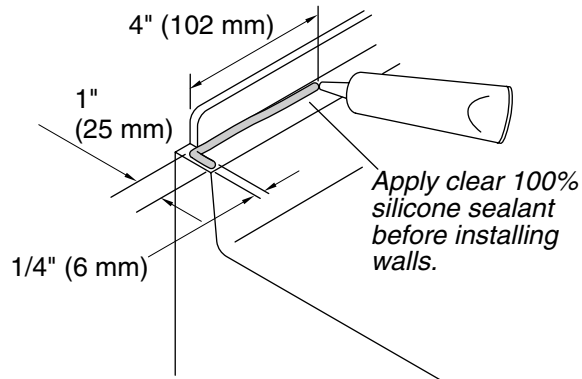
3. Cut holes.

10. Cut Holes for the Valves and Spout

- Determine and mark the location for the mixing valve, shower, and bath spout holes on the back surface of the surround wall.
- Protect the bottom of the unit with a clean drop cloth.
- Drill 1/4" (6 mm) pilot holes at the marked locations.

IMPORTANT! If using a round hole saw or a saw that cuts on the push stroke to cut the holes, cut the holes from the front, or finished side of the wall. If using a jigsaw or other reciprocating saw that cuts on the pull stroke, cut the holes from the rear of the wall.

- Carefully cut the fixture holes.
- Clean any debris from the whirlpool to reduce the risk of surface damage. Be careful not to scratch the surface of the unit.

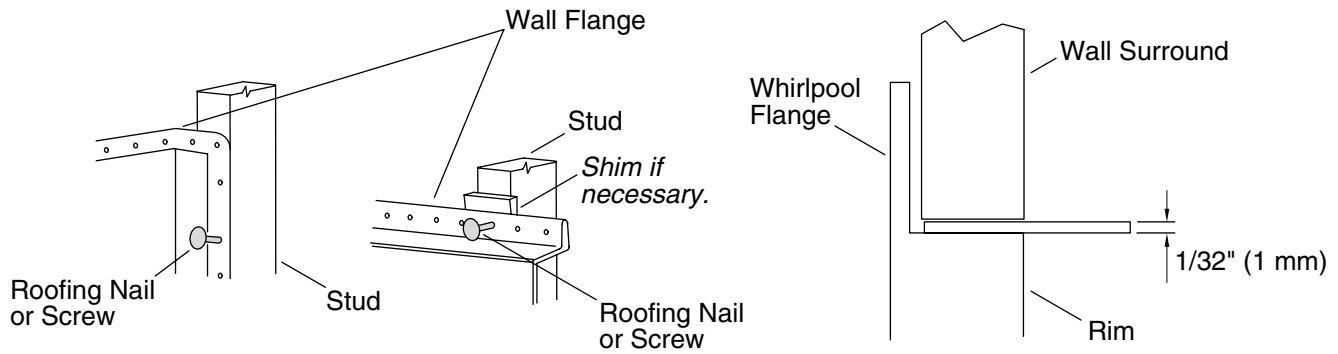


11. Apply Silicone Sealant

IMPORTANT! Use clear 100% silicone sealant. Latex, caulk, or siliconized latex sealants do not provide water and mildew resistance over the life of the product.

IMPORTANT! Do not allow the sealant to set before the end walls are installed. After applying sealant, immediately proceed to the "Install the Wall Surrounds" section of this guide.

- Clean and dry the outer few inches of the whirlpool flange where the end walls will be installed.
- Apply an L-shaped bead of clear 100% silicone sealant at each outer end of the flange where the end walls will be installed. Apply the bead so it is 1/4" (6 mm) wide and 1" (25 mm) by 4" (102 mm) long, as shown in the illustration.



12. Secure the Wall Surrounds

Secure the Wall Surrounds

- Attach the end wall to the back wall by engaging the wall interlocks and wall tabs.
- Remove the temporary nail from the top of the back wall flange.



CAUTION: Risk of property damage. Wall surrounds must rest within 1/32" (1 mm), or the thickness of a credit card, from the whirlpool rim to prevent leakage.

- Verify that the walls are seated firmly on the whirlpool, and that the back wall interlocks are engaged.
- Make sure the front edges of the end walls are flush with the front edge of the whirlpool. If there is a gap, pull the end walls slightly forward to eliminate the gap.



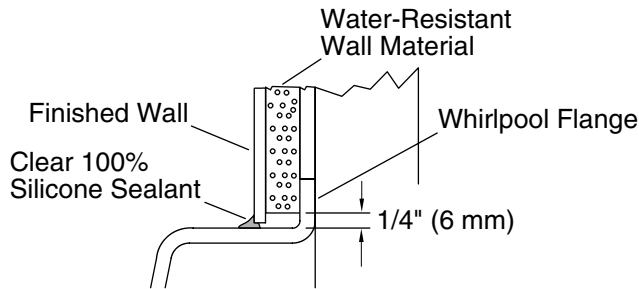
CAUTION: Risk of property damage. If using screws rather than nails, use non-tapered flathead screws. **Do not overtighten.** Excessive tightening can damage the flange, and may cause leaks.

- Starting from the bottom of the end walls and working up, secure the end walls with large-head roofing nails or non-tapered flathead screws at the dimples on the vertical wall flanges.
- Secure the flanges across the top of the wall panels at every stud location.

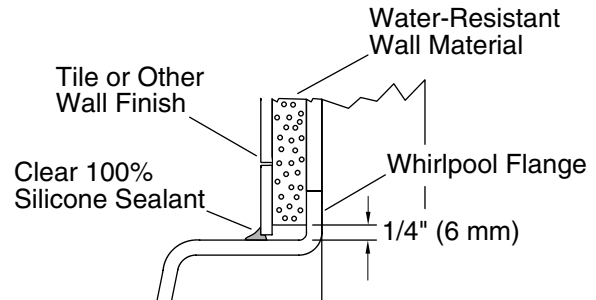
Seal the Wall Surrounds

NOTE: When applying water-resistant wall material over the whirlpool flanges, maintain a 1/8" (3 mm) gap between the wall surround and the wall material. This gap serves as a contact barrier if water should ever seep behind the applied sealant.

- Cover the flanges around the wall surrounds and the whirlpool with water-resistant wall material, leaving a 1/8" (3 mm) gap between the flanges and the wall material.
- Seal the gap between the flanges and the wall material with clear 100% silicone sealant. Allow the sealant to cure according to the manufacturer's instructions.
- Apply clear 100% silicone sealant between the whirlpool and the finished wall material to seal the joints.



Whirlpool with Water-Resistant Wall Material and Finished Wall



Whirlpool with Tile, Marble, Etc.

13. Complete the Finished Wall

NOTE: Locate and size the holes for the valves, shower control, spout, and/or shower in the walls according to the manufacturer's requirements.

IMPORTANT! When applying the water-resistant wall material over the whirlpool flange, leave a 1/4" (6 mm) gap between the whirlpool rim edge and the wall material. This gap helps to reduce the possibility of water seeping into the wall material.

- Brush all dust and debris from the whirlpool flange.
- Cover the framing with water-resistant wall material.
- Seal the 1/4" (6 mm) gap between the whirlpool rim edge and the water-resistant wall material with 100% silicone sealant.
- Install the finished wall over the water-resistant wall material.

14. Finish the Installation



CAUTION: Risk of property damage. Make sure a watertight seal exists around the whirlpool drain and overflow, or the whirlpool may leak.

For All Installations

- Apply clear 100% silicone sealant to all openings around the valves and outlets before installing the cover plates or flanges. Allow the sealant to cure.
- Install the faucet trim according to the manufacturer's instructions.
- Remove the protective covering from the basin of the whirlpool.
- Apply clear 100% silicone sealant between the whirlpool and the finished floor or baseboard.
- Allow the sealant to cure according to the manufacturer's instructions.

For Miscellaneous Accessory Installations



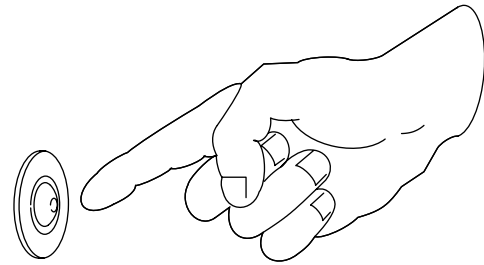
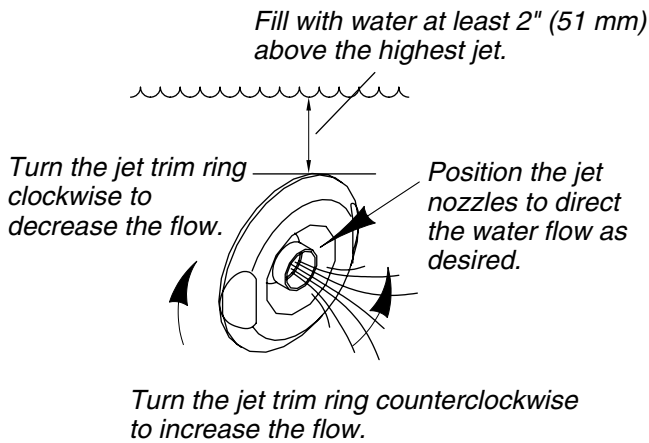
CAUTION: Risk of property damage. Do not make additional holes in the wall surround or whirlpool without adding adequate clear 100% silicone sealant. Additional holes made to install any accessories may cause leakage.

NOTE: For installations with wall surrounds, install the shower curtain rod above the top of the wall surrounds.

- Install any accessories according to the manufacturer's instructions.

Finish the Installation (cont.)

- Verify that all holes in the finished wall are properly sealed with 100% silicone sealant.



Press the air switch to turn the whirlpool on or off.

15. Confirm Proper Operation

Installation Checkout

- Verify all electrical connections.
- Verify that the pump banding straps have been cut.

Fill the Whirlpool

- Position the jet nozzles so they face down toward the basin. Turn the jet trim rings fully counterclockwise.
- Fill the whirlpool to at least 2" (51 mm) above the top of the highest jet.

Operating Sequence

NOTE: If you encounter problems with the operating sequence, refer to the "Troubleshooting" section.

- Press the air switch to turn on the whirlpool jets.
- Verify that the pump starts and operates without excessive noise or vibration.
- Verify that water is circulating and flowing from each jet.
- Adjust each jet for optimum flow. Turn the trim ring clockwise to decrease the flow, and counterclockwise to increase the flow.
- Press the air switch a second time to turn off the whirlpool.
- Drain the whirlpool.

Troubleshooting

This troubleshooting guide is for general aid only. An Authorized Service Representative or qualified electrician should correct all electrical problems. For warranty service, contact your dealer or wholesale distributor.

Symptoms	Probable Causes	Recommended Action
1. Whirlpool does not start/stop.	A. No power to the pump motor.	A. Set/Reset the GFCI breaker. Check the wiring.
	B. Air actuator does not work.	B. Replace air actuator. Check air tube between air actuator and pump. Replace if necessary.
	C. Motor/pump does not work.	C. Rebuild or replace motor/pump.
2. Motor starts, but all jets are not functioning.	A. Jet is closed.	A. Rotate jet trim ring counterclockwise to open.

Troubleshooting (cont.)

Symptoms	Probable Causes	Recommended Action
	B. Jet is blocked.	B. Remove the blockage.
3. Whirlpool stops automatically.	A. GFCI trips.	A. Identify source of fault, and correct.
	B. Suction blocked.	B. Remove obstruction.
	C. Jets are blocked.	C. Remove blockage.
	D. Motor overheated and protection device activated.	D. Check for blockage at motor vents. Remove blockage and allow motor to cool.
4. Noisy operation.	A. Pump banding straps have not been cut.	A. Cut pump banding straps with a pair of tin snips.
5. Leakage is detected under the whirlpool.	A. Piping leaks.	A. Repair any piping leaks.
	B. Inadequate sealant application.	B. Apply clear 100% silicone sealant as required.
6. Mold or mildew detected (for units with wall surrounds).	A. Blocked channel drainage.	A. Use a sharp wooden or plastic object to scrape any buildup from the seam. Increase the frequency of cleaning.
7. Water damage at finished walls.	A. Seam at finished wall not sealed.	A. Seal the seam with clear 100% silicone sealant, following the manufacturer's instructions.

Guide d'installation

Baignoire à hydromassage et murs avoisinants

Renseignements importants



AVERTISSEMENT: Des précautions de base seront observées pour l'installation d'équipements électriques, incluant:



DANGER: Risque d'électrocution. Afin de réduire les risques de choc électrique, raccorder la pompe ou le moteur-souffleur uniquement à une prise de terre, protégée par un disjoncteur différentiel (GFCI). Ne pas retirer les broches de mise à la terre de la fiche. Ne pas utiliser d'adaptateurs de mise à la terre.



AVERTISSEMENT: Risque de blessures ou d'endommagement du matériel. Veuillez lire avec attention les instructions avant de commencer l'installation, incluant les exigences suivantes:



AVERTISSEMENT: Risque d'électrocution. Un électricien qualifié devrait effectuer toutes les connexions électriques.



AVERTISSEMENT: Risque d'électrocution. Débrancher l'alimentation avant de procéder à l'entretien.

Les matériaux de construction et le câblage devraient être acheminés loin du corps de la pompe ou du moteur-souffleur et d'autres composants qui dégagent de la chaleur de l'unité.

Une mise à la terre est requise. L'unité doit être installée par un représentant qualifié et être mise à la terre.

Installer de façon à permettre l'accès pour l'entretien.

Une borne de mise à la terre est incluse dans le boîtier du câblage. Afin de réduire les risques d'électrocution, cette borne doit être raccordé à la borne de mise à la terre du panneau du service électrique, avec un conducteur ayant le même calibre que celui des conducteurs du circuit qui alimente cet équipement.

Installer l'unité conformément au Code Électrique Canadien, Partie I.

REMARQUE: Respecter tous les codes de plomberie, d'électricité et de bâtiment locaux.

Information sur le produit

Branchements électriques requis

REMARQUE: Si le câble d'alimentation est endommagé, il doit être remplacé par le fabricant, son représentant ou autre personnel similaire qualifié pour éviter tout danger.

L'installation doit inclure un Disjoncteur de Fuite de Terre de Classe A (GFCI). Le disjoncteur GFCI protège contre les risques de chocs. Utiliser une alimentation de 120 V, 15 A, 60 Hz dédiée à la baignoire à hydromassage.

Notices du produit



AVERTISSEMENT: Des modifications non approuvées de la pompe pourraient provoquer un fonctionnement dangereux ou une pauvre performance de la baignoire à hydromassage. Ne pas déplacer la pompe de la baignoire à hydromassage ou effectuer d'autres modifications au système d'hydromassage car cela pourrait affecter les performances et la sécurité de la baignoire à hydromassage. Sterling Plumbing décline toute responsabilité quant aux blessures ou endommagements causés par des modifications non autorisées.

Information sur le produit (cont.)

Pièces assemblées en usine

Les composants installés en usine comportent: une pompe avec le câble d'alimentation, un interrupteur d'air, et des jets d'hydromassage avec raccord d'aspiration.

Raccordement et accès pour l'entretien

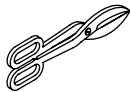
S'assurer d'avoir suffisamment d'accès pour les connexions finales avant l'installation.

AVIS: Fournir un panneau d'accès libre à la pompe.

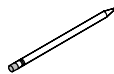
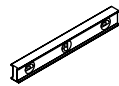
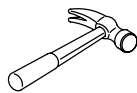
Outils et matériels



Mastic à la silicone claire à 100%



Cisailles de Ferblantier



Plus:

- Outils conventionnels de menuiserie et matériels
- Bâche de protection
- Mortier (optionnel)
- 2 x 2 et 2 x 4 ou 2 x 6
- Scie cylindrique
- Plaqués ou vis à tête plate non coniques galvanisés
- Tasseaux

Avant de commencer

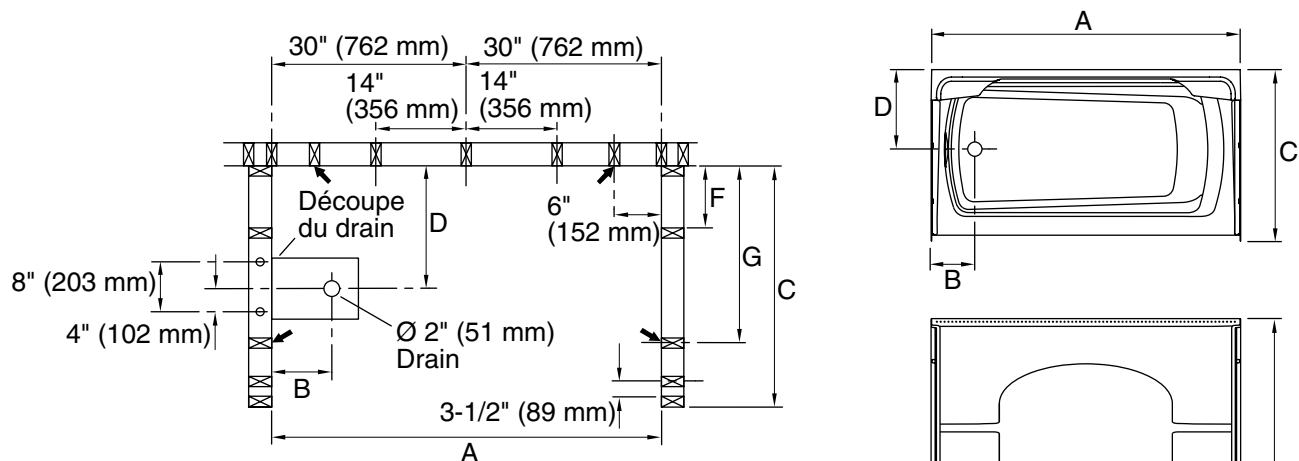
AVIS: Risque d'endommagement du produit. Les sections des murs avoisinants sont comblés de mousse afin de mettre en contact le mur avec le cadrage du montant. Cette mousse **pas** un matériau d'emballage. Ne pas retirer.


AVIS: Risque d'endommagement du produit. Ne pas installer la baignoire à hydromassage sur des charpentes exposées du sol. L'espace du bassin ne nécessite pas de support additionnel lorsque le plancher est nivelé et d'équerre avec les montants du cadre. Installer la baignoire à hydromassage sur un plancher proprement nivelé. Utiliser des cales pour un support additionnel si le plancher est irrégulier.

- Respecter tous les codes locaux applicables de plomberie, électriques et de bâtiment.
- Cette baignoire à hydromassage est conçue pour des installations en alcôve.
- Au moment de la réception, vérifier s'il y a des pièces manquantes ou endommagées. Reporter immédiatement tout endommagement ou toute pièce manquante.
- Ne pas retirer le vieil appareil avant d'avoir déballé et examiné le nouveau.
- Conserver la baignoire à hydromassage et les murs avoisinants dans un endroit protégé en attendant de commencer l'installation pour éviter tout endommagement.
- Dans le cas d'une rénovation, mesurer l'espace existant avant de retirer l'ancienne baignoire à hydromassage pour s'assurer que la nouvelle baignoire à hydromassage s'ajuste. S'assurer que le drain soit en position correcte.

Avant de commencer (cont.)

- S'assurer qu'il y ait un espace adéquat de connexion pour l'alimentation d'eau et l'installation de drain.
- Ne pas retirer la poche de protection de la baignoire à hydromassage si cette dernière a été expédiée avec, jusqu'au moment de l'installation de l'unité. Si la poche de protection n'est pas présente, placer un tissu en toile ou texture similaire dans le fond de la baignoire.
- En cas de problèmes d'installation ou de performance, ne pas hésiter à contacter Sterling au 1-888-STERLING aux États-Unis ou 001-877-680-1310 au Mexique.
- Sterling se réserve le droit d'apporter des modifications sur le design des produits sans avis préalables, comme spécifié dans le catalogue des prix.



 Emplacement recommandé pour les clips de support (4 total)

Les diagrammes montrés sont à titre représentatif et pour utilisation avec le tableau uniquement. L'appareil peut apparaître différent des illustrations.

Plan de raccordement

	A	B	C	D	E	F	G
76090100	60" (1524 mm)	8-3/4" (222 mm)	31-1/2" (800 mm)	14-1/4" (362 mm)	73-1/2" (1867 mm)	8" (203 mm)	22-1/4" (565 mm)

IMPORTANT! Les dimensions fournies dans le plan du raccordement sont critiques pour une bonne installation. Construire le cadre et la plomberie avec exactitude.

IMPORTANT! Toutes les dimensions sont nominales. La tolérance d'ouverture du montant est de plus 1/8" (3 mm) et moins 0.

IMPORTANT! Sauf indications contraires, le support du sol sous la baignoire à hydromassage doit pouvoir soutenir une charge minimale de 80 livres par pied carré (390 kilogrammes par mètre carré).

REMARQUE: Si un pare-feu est requis, les dimensions de raccordement devront être augmentées en fonction de l'épaisseur du matériau du pare-feu. Les dimensions d'ouverture des montants doivent être mesurées vers le côté exposé du matériau du mur.

REMARQUE: Si cette unité est installée sur un mur en maçonnerie, prendre des dispositions pour les raccordements de la plomberie. Construire un mur à ossature séparé à un minimum de 6" (152 mm) du mur de maçonnerie.

La baignoire à hydromassage et les murs avoisinants optionnels peuvent être directement installés sur les montants du cadre, sur un panneau de revêtement ou tout autre matériau hydrorésistant. Lors de l'installation sur un panneau de revêtement ou un autre matériel hydrorésistant, les dimensions du cadrage doivent être augmentées en fonction de l'épaisseur du matériau.

Pour les baignoires à hydromassage avec murs avoisinants, l'installation d'accessoires exigeant un entretoisement ou support n'est pas recommandée.

Plan de raccordement (cont.)

Installer un panneau d'accès à l'extrémité de plomberie de la baignoire à hydromassage. Le panneau d'accès n'est pas montré.

1. Construction du cadrage

Installer le cadrage

IMPORTANT! Les dimensions fournies dans le plan du raccordement sont critiques pour une bonne installation. Se référer à la section "Plan de raccordement" pour les dimensions.

IMPORTANT! Pour les installations avec murs avoisinants, fournir un support pour les brides verticales du mur à 31-1/2" (800 mm).

IMPORTANT! Le cadrage de chaque montant doit être d'aplomb et d'équerre à 1/8" (3 mm). Un calage peut être nécessaire.

- Mesurer avec attention la baignoire à hydromassage.
- Construire un cadrage de 2x4 en utilisant les dimensions spécifiées dans la section "Plan de raccordement".
- Construire un panneau d'accès de 18" x 15" (457 mm x 381 mm) pour permettre le service de la pompe et des contrôles. Tous les montants au-dessus de la découpe doivent être bien supportés sur le linteau.
- Si possible, retirer la plaque inférieure.
- Construire un panneau d'accès pour permettre le service des robinets et du drain.

IMPORTANT! Pour des installations avec murs avoisinants, ne pas permettre à de la fibre ou autre isolation souple de tomber dans le canal arrière, car ceci pourrait endommager la baignoire à hydromassage.

- Pour les installations avec des murs avoisinants, couvrir ou sceller tout matériel desserré.

REMARQUE: Si les brides du bandeau ne sont pas utilisées ou ont été accidentellement cassées durant la livraison, installer trois blocs de 2x4 répartis de manière égale derrière l'emplacement du bandeau. Les blocs préviendront tout dommage du bandeau et pourraient être utilisés pour sécuriser le bandeau derrière la plinthe.

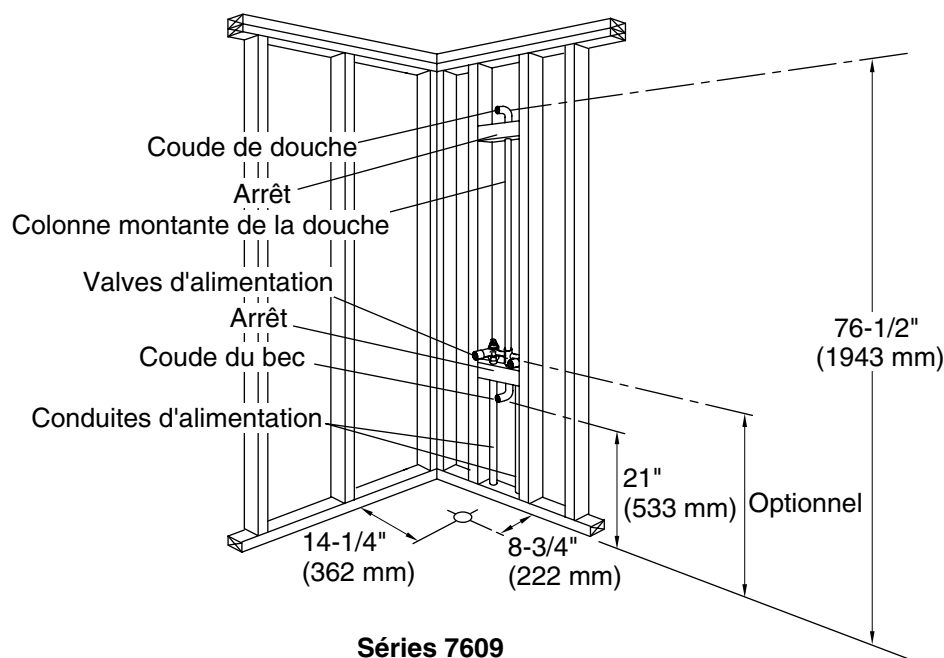
Construire le sol

IMPORTANT! Construire le sol en contreplaqué. Si la baignoire à hydromassage est installée sur du matériau autre que du contreplaqué, de la friction pourrait causer un grincement au fil du temps.

- Si le plancher est construit en un matériau autre que du contreplaqué, positionner le coussinet fourni de manière à ce que tous les contacts reposent dessus.
- S'assurer que les brides du bandeau peuvent être sécurisés aux montants ou installer trois blocs de 2x4 juste derrière l'emplacement du bandeau.

REMARQUE: La section "Plan de raccordement" indique l'emplacement du drain.

- Percer un orifice dans le sol assez large pour pouvoir y ajuster l'ensemble du drain sélectionné pour l'installation.



2. Installer la plomberie de raccordement

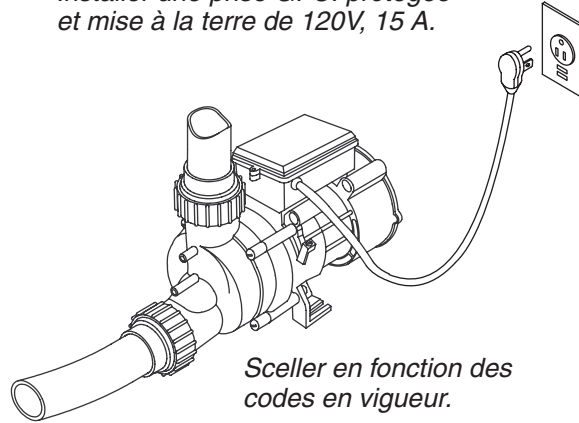
REMARQUE: Prévoir un accès à toutes les connexions de la plomberie pour faciliter tout entretien futur.

- Localiser la plomberie de raccordement pour le drain selon les dimensions du plan de raccordement.

REMARQUE: Si la plomberie doit être installée sur la partie murale non finie, installer les alimentations après les murs avoisinants sont installés.

- Positionner les alimentations d'eau selon l'information du plan du raccordement. Boucher les alimentations et s'assurer de l'absence de fuites.
- Attacher les lignes d'alimentations au cadre du montant.
- Installer les valves conformément aux instructions du fabricant. Ne pas installer la bague à ce moment.

Installer une prise GFCI protégée
et mise à la terre de 120V, 15 A.



Sceller en fonction des
codes en vigueur.

3. Installer la prise de courant



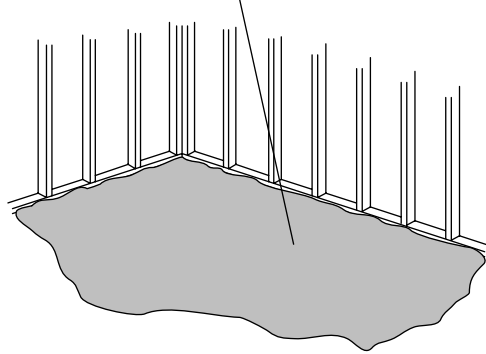
ATTENTION: Risque de blessures corporelles. Ne pas alimenter avant l'instruction de le faire.

REMARQUE: La baignoire à hydromassage est équipée d'une prise et d'un cordon d'alimentation. Tous les câblages de la pompe et de la commande ont été effectués en usine.

REMARQUE: Se référer à l'étiquette près de la pompe. Cette étiquette identifie les caractéristiques électriques le numéro de modèle de la baignoire à hydromassage.

- Installer une prise de 120 V et 15 A, protégée par un disjoncteur de fuite de terre et mise à la terre à l'arrière de la baignoire à hydromassage et dans les 24" (610 mm) de l'emplacement de la pompe. Aucune autre charge ne doit être montée sur ce circuit.
- Installer un conducteur à l'emplacement futur de la pompe selon tout code local applicable.

Étaler une couche de ciment de 2"
(51 mm) ou un matériau de mortier.



4. Préparer la baignoire à hydromassage

Préparer la baignoire à hydromassage

REMARQUE: Ne pas retirer la poche de protection de la baignoire à hydromassage si cette dernière a été expédiée avec, jusqu'au moment de l'installation de l'unité. Si la poche de protection n'est pas présente, placer un tissu en toile ou texture similaire dans le fond de la baignoire.

- Installer le drain et le trop-plein à la baignoire à hydromassage selon les instructions du fabricant. Ne pas connecter le siphon à ce moment.
- Si le plancher n'est pas en contreplaqué, positionner le coussinet en feutre fourni de manière à ce que la baignoire à hydromassage repose dessus.

IMPORTANT! Risque d'endommagement du produit. Ne pas soulever la baignoire à hydromassage par le bandeau ou les supports, ou par la tuyauterie ou la pompe. Ne pas appuyer la baignoire sur la tuyauterie ou sur la pompe.

IMPORTANT! S'assurer que chaque support de bandeau soit connecté à toutes les languettes.

IMPORTANT! Positionner avec précaution la baignoire à hydromassage dans l'alcôve, car le bon emplacement est critique pour la fixation aux montants. Écarter tout matériel de l'emplacement du montant de la pompe et des supports de la baignoire à hydromassage. Le support de pompe et les supports de la baignoire à hydromassage doivent reposer directement sur le plancher.

- Soulever avec précaution la baignoire à hydromassage pour mettre en place.
- S'assurer que la bride de support de la pompe et que les supports de la baignoire à hydromassage ne reposent pas sur le matériau du lit.
- Vérifier que la baignoire à hydromassage soit correctement positionnée par rapport au mur fini. Selon l'installation, le rebord externe de la baignoire à hydromassage devrait être d'égalité avec le mur fini prévu au niveau du sol.
- S'assurer que la baignoire à hydromassage soit nivelée et qu'elle repose sur tous les supports. La baignoire à hydromassage doit être comprise dans les 1/8" (3 mm) de niveau d'un côté à l'autre et dans une longueur de niveau de 1/4" (6 mm). Si la baignoire à hydromassage n'est pas nivelée, la retirer et placer des cales sous les supports.

Installer un lit de mortier (recommandé)

- Retirer la baignoire à hydromassage de l'alcôve.

REMARQUE: Les blocs de renfort de la baignoire à hydromassage doivent s'appuyer directement sur le plancher.

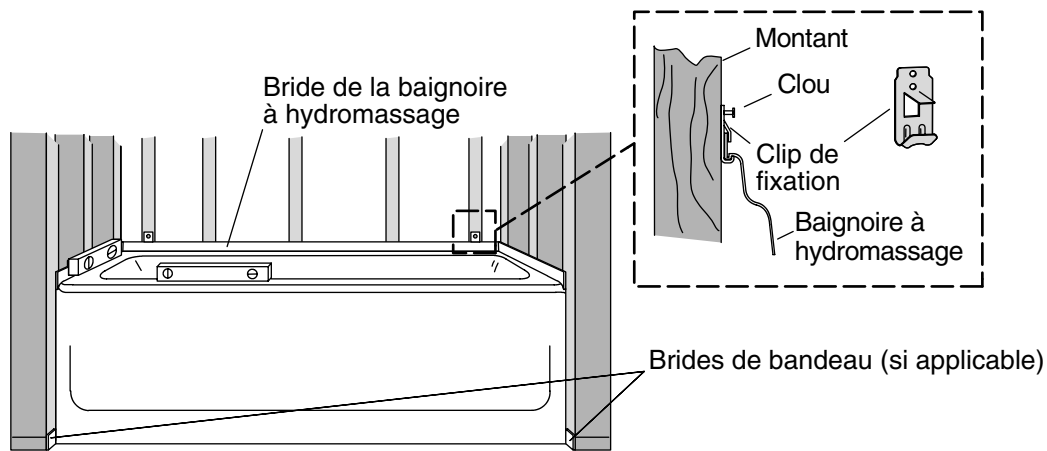
Préparer la baignoire à hydromassage (cont.)

- Construire une digue pour garder le matériau de sol à l'écart de l'emplacement du drain.

REMARQUE: Ne pas utiliser de plâtre dur ou de pâte à joint pour cette application car ces produits ne procurent pas de support adéquat.

REMARQUE: Ne pas étaler le mortier autour des supports de la baignoire à hydromassage.

- Étaler une couche de mortier de 2" (51 mm) sur le sous-plancher.
- Retirer la digue.
- Mettre la baignoire à hydromassage en place.
- S'assurer que la bride de support de la pompe ne repose pas sur le matériau du lit.
- S'assurer que la baignoire à hydromassage soit nivelée et qu'elle repose sur tous les supports.



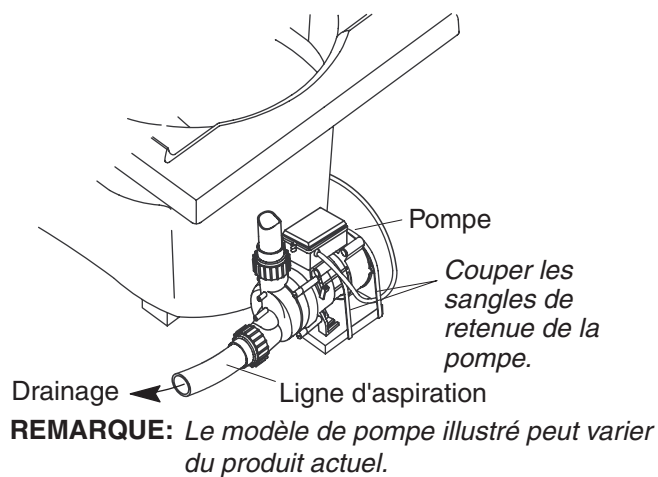
5. Sécuriser la baignoire à hydromassage au cadrage du montant

Cette baignoire à hydromassage est conçue pour une installation dans des cadres d'espaces réguliers. S'il y a un espace entre le rebord de la baignoire à hydromassage et le montant, ajouter une cale sur le montant afin de le rehausser dans les 1/8" (3 mm) de la baignoire à hydromassage.



ATTENTION: Risque d'endommagement du matériel. Ne pas clouer ni percer à travers la bride de la baignoire à hydromassage, car ceci pourrait craqueler la bride et causer des fuites.

- Positionner le rebord inférieur du clip d'attache à côté du montant et sous le rebord de la baignoire à hydromassage. Glisser le clip de réglage entre le centre du montant et de la baignoire à hydromassage.
- Plier la languette du clip sur la bride de la baignoire à hydromassage avec des pinces.
- Sécuriser le clip d'attache au centre du montant en utilisant soit des clous à large tête pour toiture ou des vis à tête plate non coniques.



6. Sectionner les sangles de retenue de la pompe

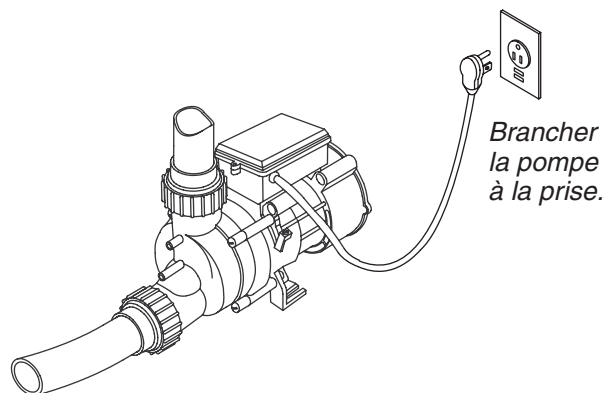
IMPORTANT! Cette étape est nécessaire pour que la baignoire à hydromassage fonctionne plus silencieusement.

IMPORTANT! Ne pas soulever la pompe à un niveau supérieur à celui d'avant avoir coupé les sangles de retenue. Si la pompe est trop élevée, elle ne s'amorcera pas correctement.

- Sectionner les deux sangles de retenue de la pompe de la baignoire à hydromassage avec des cisailles. Jeter les sangles.
- S'assurer que la pompe ne soit pas directement en contact avec le faisceau de la baignoire à hydromassage.

7. Connecter le drain

- Connecter le drain au siphon selon les instructions du fabricant.
- Vérifier s'il y a des fuites.



8. Faire les connexions électriques

Faire les connexions



AVERTISSEMENT: Risque d'électrocution. Afin de réduire les risques de choc électrique, raccorder uniquement la pompe à un disjoncteur de fuite de terre (GFCI) installé correctement. Ne pas retirer la broche de mise à la terre de la fiche. Ne pas utiliser d'adaptateurs de mise à la terre.

- Vérifier que la tuyauterie de l'interrupteur d'air soit attaché à la pompe et à l'interrupteur dans la baignoire à hydromassage.
- S'assurer que la tuyauterie n'est pas pincée ou endommagée, et qu'elle se met en place sur les adaptateurs au niveau de l'interrupteur et de la pompe.
- Inspecter visuellement la pompe de la baignoire à hydromassage et le harnais de la tuyauterie pour tout dommage.
- Vérifier que le connecteur du conducteur soit connecté à la pompe selon les codes en vigueur.
- Brancher le cordon électrique dans la prise électrique du disjoncteur de fuite de terre (GFCI).

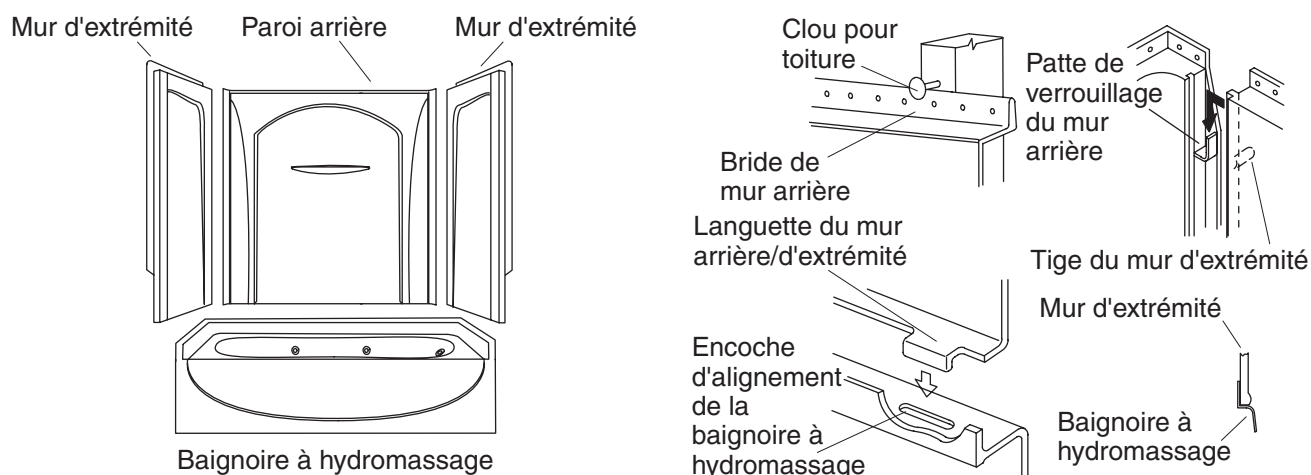
Tester la baignoire à hydromassage

Pour plus d'information concernant le fonctionnement de la baignoire à hydromassage, consulter la section "Confirmer le bon fonctionnement" de ce guide.



ATTENTION: Risque d'endommagement du matériel. Ne pas remplir la baignoire à hydromassage au-dessus du fond du drain de trop plein. En faisant cela, il pourrait y avoir des fuites dans la tuyauterie de la baignoire à hydromassage. La baignoire à hydromassage n'est pas conçue pour contenir de l'eau au-dessus du trop-plein.

- Inspecter toutes les connexions électriques, et s'assurer que l'alimentation électrique de la baignoire à hydromassage est en marche.
- S'assurer que les sangles de retenue de la pompe ont été sectionnées.
- Remplir la baignoire à hydromassage avec de l'eau à au moins 2" (51 mm) au-dessus du haut du jet le plus élevé.
- Opérer la baignoire à hydromassage pendant 5 minutes. Vérifier s'il y a des fuites dans les connexions de la baignoire à hydromassage.
- Arrêter la baignoire à hydromassage, puis la vidanger.



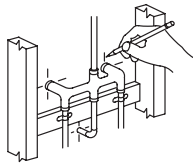
9. Munir les murs avoisinants

IMPORTANT! Ne pas sécuriser les murs au cadrage du montant jusqu'à en être instruit.

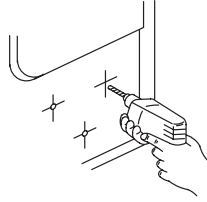
REMARQUE: Si les robinets de la douche ou les commandes empêchent la section du mur de plomberie d'être positionnée correctement avant la découpe nécessaire des trous, faire les trous selon la section "Découper les orifices pour les valves et le bec", puis retourner à cette procédure.

REMARQUE: Lors de l'installation du mur de renfort, ajuster les languettes dans les rainures d'alignement de la baignoire à hydromassage, tel qu'illustré.

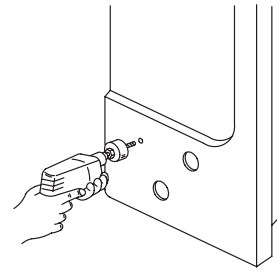
- Positionner le mur arrière sur la baignoire à hydromassage.
- Sécuriser temporairement le mur arrière sur la bride de la baignoire à hydromassage avec un clou à toiture ou autre fixation. Installer la fixation de manière à ce qu'elle puisse être retirée aisément. Ne pas enfoncer le clou si profondément qu'il empêche le mur arrière de se positionner proprement lorsque les murs d'extrémité sont installés.
- Attacher les murs latéraux à la paroi arrière. Glisser les pattes de mur d'extrémité dans les rainures du mur d'extrémité.
- S'assurer que le mur assemblé avoisinant repose correctement sur la baignoire à hydromassage. Si un mur avoisinant nécessite un réglage, retirer le clou à toiture au mur arrière.
- S'assurer que les murs d'extrémité soient d'égalité avec le rebord de la baignoire à hydromassage. Si nécessaire, bouger les murs d'extrémité jusqu'à ce qu'ils soient nivelés.
- Vérifier que les sections du mur soient proprement alignées avec les montants au niveau des brides supérieures et verticales.



1. Marquer le centre des valves et du bec.



2. Percer les trous-pilotes.



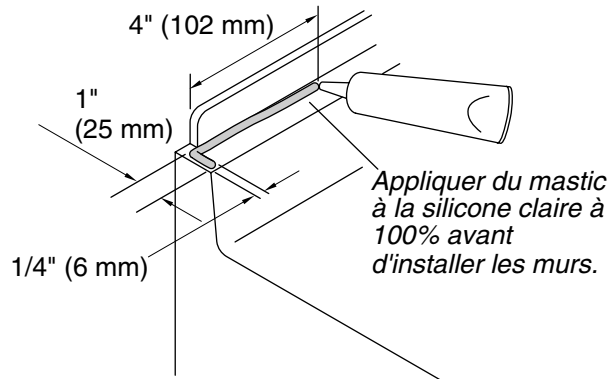
3. Découper les orifices.

10. Découper les orifices pour les valves et le bec

- Déterminer l'emplacement du mitigeur, de la douche et des orifices du bec de baignoire à la surface arrière de la paroi avoisinante.
- Protéger le bas du dispositif avec une toile de protection.
- Percer des trous-pilotes de 1/4" (6 mm) aux emplacements marqués.

IMPORTANT! Si une scie cylindrique ou un autre type de scie qui coupe sur le coup poussé sont utilisés pour découper des trous, découper les orifices à partir de l'avant, ou du côté fini du mur. Si une scie sauteuse ou une autre scie similaire qui coupe sur le coup poussé sont utilisés, découper les trous de l'arrière du mur.

- Découper avec précaution les orifices de l'appareil.
- Nettoyer la baignoire à hydromassage de tous débris risquant d'endommager la surface. Veiller à ne pas rayer la surface de l'unité.

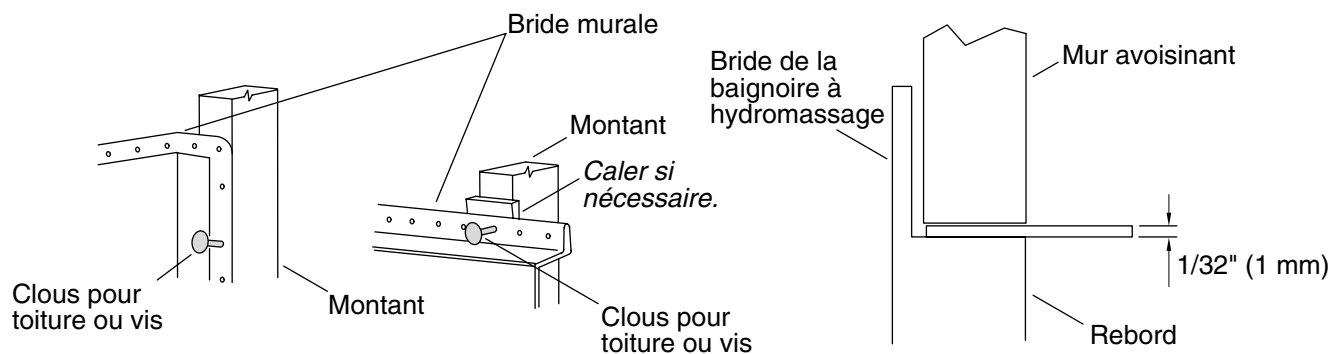


11. Appliquer du mastic à la silicone

IMPORTANT! Utiliser du mastic à la silicone à 100% transparent. Le latex, le mastic, ou les produits d'étanchéité au latex à la silicone ne procurent pas une résistance à l'eau et à la moisissure sur la durée de vie du produit.

IMPORTANT! Ne pas laisser prendre le mastic avant l'installation des murs d'extrémité. Après avoir appliqué du mastic, procéder immédiatement à la section "Installer les murs avoisinants" de ce guide.

- Nettoyer et sécher les derniers centimètres de la bride de la baignoire à hydromassage à l'emplacement d'installation des murs d'extrémité.
- Appliquer un boudin de silicone claire à 100% en L à chaque extrémité extérieure de la bride au niveau d'installation des murs d'extrémité. Appliquer le boudin de manière à ce qu'il ait une largeur de 1/4" (6 mm) et une longueur de 1" (25 mm) par 4" (102 mm), tel qu'illustré.



12. Sécuriser les murs avoisinants

Sécuriser les murs avoisinants

- Attacher la paroi arrière au mur en engageant les languettes dans les rainures d'enclenchement et celles du mur.
- Retirer le clou temporaire au-dessus de la bride du mur arrière.



ATTENTION: Risque d'endommagement du matériel. Les murs avoisinants doivent reposer dans une distance d'un 1/32" (1 mm), ou de l'épaisseur d'une carte de crédit, à partir du rebord de la baignoire à hydromassage afin d'empêcher toute fuite.

- S'assurer que les murs reposent fermement sur la baignoire à hydromassage et que les languettes de la paroi arrière sont bien engagées.
- S'assurer que les bords avant des murs d'extrémité sont à ras du bord avant de la baignoire à hydromassage. Si un espacement existe, tirer légèrement les parois arrière vers l'avant pour éliminer l'écart.



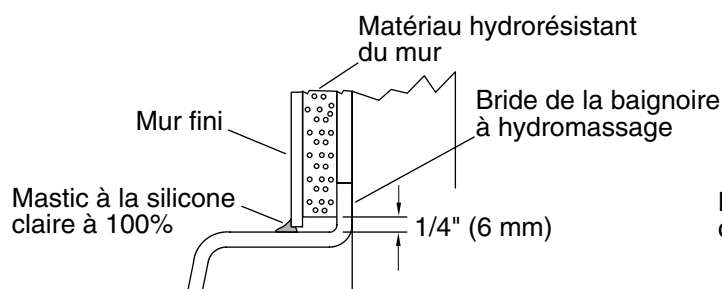
ATTENTION: Risque d'endommagement du matériel. Si des vis sont utilisées au lieu de clous, utiliser des vis à tête plate et non coniques. **Ne pas trop serrer.** Un serrage excessif peut endommager la bride et peut causer des fuites.

- En commençant à partir de la base des murs d'extrémité et en continuant vers le haut, sécuriser ceux-ci avec des clous pour toiture à large tête, ou des vis à tête plate et non coniques au niveau des dépressions sur les brides verticales du mur.
- Sécuriser les brides à travers le dessus des panneaux des parois à chaque emplacement de montant.

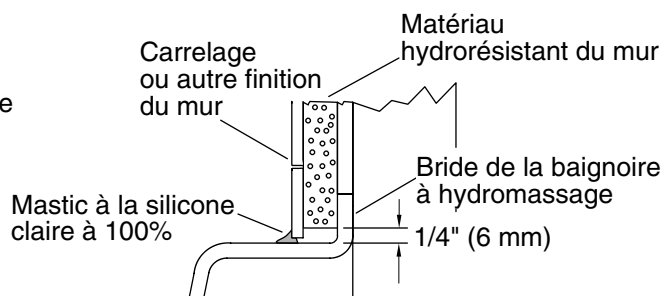
Sceller les murs avoisinants

REMARQUE: Lors de l'application du matériau hydrorésistant sur les brides de cloutage, maintenir un espace de 1/8" (3 mm) entre le mur avoisinant et le matériau du mur. Cet espace sert de barrière de contact au cas où l'eau s'infiltrerait derrière le joint appliqué.

- Couvrir les brides autour des murs avoisinants et la baignoire à hydromassage avec du matériau hydrorésistant, laissant un espace de 1/8" (3 mm) entre les brides et le matériau du mur.
- Sceller l'espace entre les brides et le matériau du mur avec du mastic à la silicone à 100% transparent. Laisser prendre le mastic selon les instructions du fabricant.
- Appliquer du mastic à la silicone claire à 100% entre la baignoire à hydromassage et le matériau du mur fini pour sceller les joints.



Baignoire à hydromassage avec matériau hydro-résistant et mur fini



Baignoire à hydromassage avec carreaux, marbre, etc.

13. Compléter le mur fini

REMARQUE: Localiser et calculer la taille des trous pour les valves, le contrôle de douche, le bec, et/ou douche dans les murs selon les instructions du fabricant.

IMPORTANT! Lors de l'application du matériau de mur hydro-résistant sur la bride de la baignoire à hydromassage, laisser un espace de 1/4" (6 mm) entre le rebord de baignoire à hydromassage et le matériau du mur. Cet espace réduira la possibilité d'infiltration d'eau sur le matériau du mur.

- Brosser tous débris de la bride de la baignoire à hydromassage.
- Recouvrir le cadrage avec du matériau hydro-résistant.
- Sceller l'espace de 1/4" (6 mm) entre le rebord de la baignoire à hydromassage et le matériau hydro-résistant du mur à l'aide de mastic à la silicone à 100%.
- Installer le mur fini sur le matériau hydro-résistant du mur.

14. Compléter l'installation



ATTENTION: Risque d'endommagement du matériel. S'assurer qu'un joint hydro-résistant est présent autour du drain de la baignoire à hydromassage et du trop plein, afin d'éviter toute fuite.

Pour toutes les installations

- Appliquer du mastic à la silicone claire à 100% sur toutes les ouvertures autour des valves avant d'installer les couvercles ou les brides. Laisser le matériau d'étanchéité se durcir.
- Assembler la garniture de robinet conformément aux instructions du fabricant.
- Retirer la couverture protectrice du bassin de la baignoire à hydromassage.
- Appliquer du mastic à la silicone claire à 100% entre la baignoire à hydromassage et le sol fini ou plancher.
- Laisser prendre le mastic selon les instructions du fabricant.

Pour des installations d'accessoire divers



ATTENTION: Risque d'endommagement du matériel. Ne pas percer de trous additionnels dans le mur avoisinant ou la baignoire à hydromassage sans ajouter de mastic à la silicone claire à 100% adéquat. Les orifices additionnels percés pour installer des accessoires peuvent engendrer des fuites.

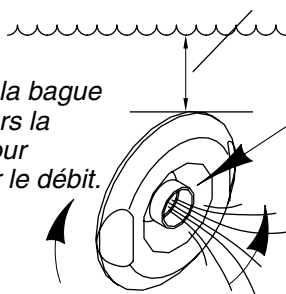
REMARQUE: Pour des installations avec murs avoisinants, installer la barre de rideau de douche au-dessus de la crête des murs avoisinants.

Compléter l'installation (cont.)

- Installer tout accessoire conformément aux instructions du fabricant.
- S'assurer que tous les orifices dans le mur fini sont scellés de manière adéquate avec du mastic à la silicone à 100%.

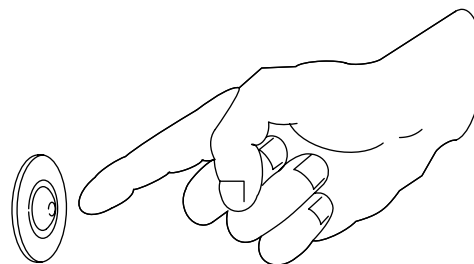
Remplir d'eau au-moins à 2" (51 mm)
au-dessus du jet le plus élevé.

Tourner la bague
du jet vers la
droite pour
diminuer le débit.



Orienter les jets
pour diriger le
débit d'eau en
position désirée.

Tourner la bague du jet vers la gauche
pour augmenter le débit d'eau.



Presser sur l'interrupteur d'air
pour activer ou arrêter la
baignoire à hydromassage.

15. Confirmer le bon fonctionnement

Vérification de l'installation

- Vérifier toutes les connexions électriques.
- S'assurer que les sangles de retenue de la pompe ont été sectionnées.

Remplir la baignoire à hydromassage

- Orienter les buses des jets vers le fond du bassin. Tourner les anneaux de garniture de jets entièrement dans le sens contraire des aiguilles d'une montre.
- Remplir la baignoire à hydromassage à au moins 2" (51 mm) au-dessus du haut du jet le plus élevé.

Séquence d'opération

REMARQUE: En cas de problèmes avec la séquence des opérations, consulter la section "Dépannage".

- Appuyer sur l'interrupteur d'air pour activer les jets de la baignoire à hydromassage.
- Vérifier que la pompe démarre et opère sans bruit ni vibration excessifs.
- Vérifier que l'eau circule normalement de chaque jet.
- Ajuster chaque buse pour un débit optimal. Tourner l'anneau de la garniture dans le sens des aiguilles d'une montre pour réduire le débit, et dans le sens contraire des aiguilles d'une montre pour l'augmenter.
- Appuyer sur l'interrupteur d'air une deuxième fois pour arrêter la baignoire à hydromassage.
- Purger la baignoire à hydromassage.

Dépannage

Ce guide de dépannage est seulement destiné à une aide générale. Un technicien agréé ou un électricien qualifié devraient rectifier tout problème électrique. Pour une réparation sous garantie, s'adresser au concessionnaire ou au distributeur en gros.

Symptômes	Causes probables	Action recommandée
1. La baignoire à hydromassage ne démarre/s'arrête pas.	A. Pas d'alimentation au moteur de la pompe.	A. Initialiser/Réinitialiser le disjoncteur de fuite de terre (GFCI). Vérifier le câblage.
	B. L'interrupteur d'air ne fonctionne pas.	B. Remplacer l'actionneur. Vérifier les tuyaux d'air entre l'interrupteur et la pompe. Remplacer si nécessaire.

Dépannage (cont.)		
Symptômes	Causes probables	Action recommandée
	C. Le moteur/pompe ne fonctionne pas.	C. Reconstruire ou remplacer le moteur/pompe.
2. Le moteur démarre, mais tous les jets ne fonctionnent pas.	A. Le jet est fermé.	A. Tourner la bague du jet vers la gauche pour l'ouvrir.
	B. Le jet est bloqué.	B. Retirer ce qui bouche.
3. La baignoire à hydromassage s'arrête automatiquement.	A. Le disjoncteur de fuite de terre (GFCI) se déclenche.	A. Identifier la source du problème, puis y remédier.
	B. L'aspiration est bloquée.	B. Retirer l'obstruction.
	C. Les jets sont bloqués.	C. Retirer le blocage.
	D. Moteur surchauffé et système de protection activé.	D. Rechercher une obstruction au niveau des événements du moteur. Éliminer l'obstruction et laisser le moteur se refroidir.
4. Fonctionnement bruyant.	A. Les sangles de retenue de la pompe n'ont pas été coupées.	A. Couper les sangles de retenue avec des cisailles de ferblantier.
5. Une fuite est détectée sous la baignoire à hydromassage.	A. Fuite de la tuyauterie.	A. Réparer toutes les fuites de tuyau.
	B. Application incorrecte du matériau d'étanchéité.	B. Appliquer du mastic à la silicone claire à 100% comme requis.
6. Détection de moisissure sur les joints (pour les unités avec murs avoisinants).	A. Canal de drainage bloqué.	A. Utiliser un objet aigu en bois ou plastique pour gratter toute accumulation de saleté sur le joint. Accroître la fréquence de nettoyage.
7. Dégâts d'eau aux murs finis.	A. Joint au mur fini non scellé.	A. Sceller le joint avec de mastic à la silicone claire à 100% selon les instructions du fabricant.

Guía de instalación

Bañera de hidromasaje y paredes circundantes

Información importante



ADVERTENCIA: Al usar productos eléctricos, siempre siga las precauciones básicas, incluyendo las siguientes:



PELIGRO: Riesgo de descarga eléctrica. Para reducir el riesgo de descarga eléctrica, conecte la bomba o soplador solamente a tomacorrientes correctamente conectados a tierra, protegidos con un interruptor de circuito con pérdida a tierra (GFCI). No retire las clavijas de conexión a tierra de los enchufes. No utilice adaptadores de conexión a tierra.



ADVERTENCIA: Riesgo de lesiones personales o daños a la propiedad. Lea atentamente todas las instrucciones antes de comenzar la instalación, incluyendo los requisitos detallados a continuación.



ADVERTENCIA: Riesgo de descarga eléctrica. Un electricista calificado debe realizar todas las conexiones eléctricas.



ADVERTENCIA: Riesgo de descarga eléctrica. Desconecte el suministro eléctrico antes de dar servicio.

El material de construcción y el cableado se deben colocar lejos del cuerpo de la bomba o soplador y de otros componentes que produzcan calor.

La conexión a tierra es un requisito. Un representante de servicio autorizado debe instalar esta unidad y conectarla a tierra.

Instale la unidad de manera que se permita el acceso para darle servicio.

El compartimiento de cables tiene un terminal de conexión a tierra para el equipo. Para reducir el riesgo de descarga eléctrica, este terminal se debe conectar a la conexión de tierra provista en el panel de suministro eléctrico con un conductor del mismo tamaño que los conductores del circuito que alimentan este equipo.

Instale la unidad conforme al Código Eléctrico Canadiense, Parte I.

NOTA: Cumpla con todos los códigos locales de plomería, de construcción y de electricidad.

Información sobre el producto

Requisitos eléctricos

NOTA: Si el cable de alimentación está dañado, debe ser reemplazado por el fabricante, su agente de servicio o personas igualmente calificadas para así evitar un peligro.

La instalación debe contar con un interruptor de circuito con pérdida a tierra (GFCI) de Clase A. El GFCI protege contra el peligro de descarga eléctrica de línea a tierra. Utilice un circuito dedicado de 120 V, 15 A y 60 Hz para la bañera de hidromasaje.

Avisos sobre el producto



ADVERTENCIA: Las modificaciones no autorizadas de la bomba pueden causar un funcionamiento peligroso y bajo rendimiento de la bañera de hidromasaje. No cambie la ubicación de la bomba de la bañera de hidromasaje, ni haga otras modificaciones en el sistema de hidromasaje, ya que esto podría tener un efecto adverso en el rendimiento y en el funcionamiento seguro de la bañera de hidromasaje. Sterling Plumbing no se hace responsable bajo esta garantía o

Información sobre el producto (cont.)

de ninguna otra forma, de las lesiones personales o daños provocados por modificaciones no autorizadas.

Componentes montados en fábrica

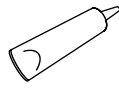
Los componentes instalados en fábrica incluyen: la bomba con el cable de alimentación, el interruptor de aire y los jets de hidromasaje con la conexión de succión.

Acceso para las conexiones y el mantenimiento

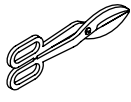
Antes de instalar, verifique que el acceso a las conexiones finales sea adecuado.

AVISO: Provea acceso sin restricciones para el mantenimiento de la bomba.

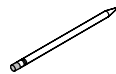
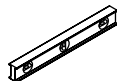
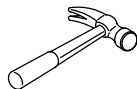
Herramientas y materiales



Sellador 100%
de silicona
transparente



Tijeras
para chapa



Más:

- Herramientas y materiales convencionales de carpintería
- Lona
- Cemento mortero (opcional)
- Postes de madera de 2x2 y 2x4 ó 2x6
- Corona perforadora
- Tornillos galvanizados o enchapados de cabeza plana no cónica
- Listones de enrasar

Antes de comenzar

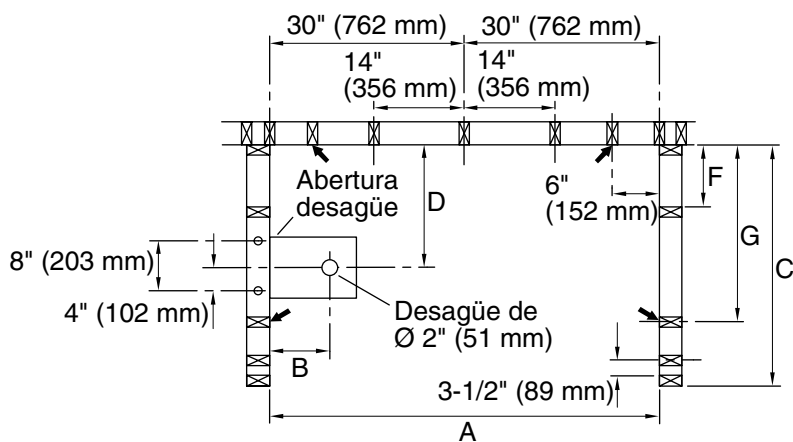
AVISO: Riesgo de daños al producto. Las secciones de las paredes circundantes están recubiertas de un protector de espuma para poner la parte posterior de la pared en contacto con la estructura de postes. Esta espuma **no** es material de embalaje. No retire.


AVISO: Riesgo de daños al producto. No instale la bañera de hidromasaje sobre vigas expuestas en el piso. El área del fondo no requiere ningún soporte adicional siempre que el subpiso esté nivelado y a escuadra con la estructura de postes. Instale la bañera de hidromasaje en un subpiso nivelado y con suficiente soporte. Utilice cuñas como soporte adicional, en caso de que el subpiso esté disparejo.

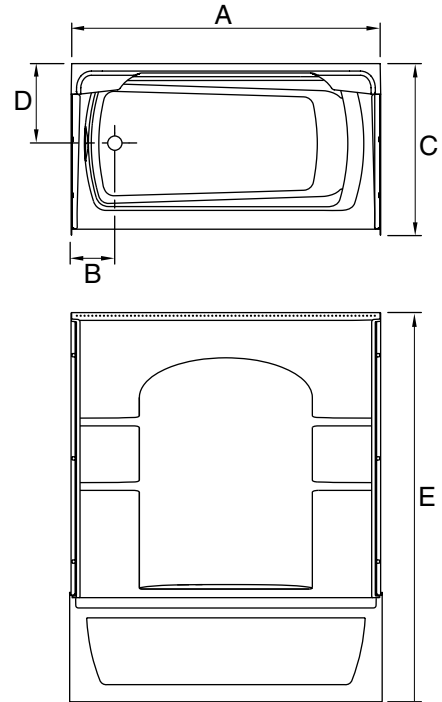
- Cumpla con todos los códigos pertinentes de plomería, eléctricos y de construcción.
- Esta bañera de hidromasaje está diseñada para instalarse encajonada entre tres paredes.
- Una vez recibido el producto, compruebe que no falten piezas y que no esté dañado. Informe inmediatamente acerca de cualquier daño o pieza que falte.
- No desinstale la unidad existente sin haber antes desinstalado y revisado la unidad nueva.
- Guarde la bañera de hidromasaje y las paredes circundantes en un lugar seguro hasta el momento de la instalación para evitar daños.

Antes de comenzar (cont.)

- En caso de remodelación, mida la estructura de postes de madera existente antes de desinstalar la bañera de hidromasaje vieja para asegurarse de que la bañera de hidromasaje nueva entrará bien. Verifique que el desagüe esté en el lugar correcto.
- Confirme que el espacio de montaje y conexión sea adecuado para la instalación del suministro de agua y desagüe.
- Si la bañera de hidromasaje viene embalada con un revestimiento protector, no retire el revestimiento hasta que se haya terminado la obra. Si no hay ningún revestimiento protector disponible, coloque una lona gruesa y limpia o un material similar en el fondo de la bañera de hidromasaje.
- En caso de problemas de instalación o funcionamiento, no dude en comunicarse con Sterling al 1-888-STERLING desde los EE.UU. o al 001-877-680-1310 desde México.
- Sterling se reserva el derecho de modificar el diseño de productos sin previo aviso, tal como se especifica en la lista de precios.



 Ubicación recomendada para los clips de soporte (4 total)



Los diagramas ilustrados son representativos y sólo deben utilizarse con la tabla. Su producto puede diferir de las ilustraciones.

Diagrama de instalación

	A	B	C	D	E	F	G
76090100	60" (1524 mm)	8-3/4" (222 mm)	31-1/2" (800 mm)	14-1/4" (362 mm)	73-1/2" (1867 mm)	8" (203 mm)	22-1/4" (565 mm)

¡IMPORTANTE! Las dimensiones proporcionadas en el diagrama de instalación son críticas para una correcta instalación. Construya la estructura y coloque las tuberías con precisión.

¡IMPORTANTE! Todas las dimensiones son nominales. La tolerancia de abertura entre los postes es 1/8" (3 mm) y menos 0.

¡IMPORTANTE! A menos que se especifique lo contrario, el soporte del piso debajo de la bañera de hidromasaje debe poder soportar un peso mínimo de 80 libras/pie cuadrado (390 kg/metro cuadrado).

NOTA: Si se requiere una pared resistente al fuego, las dimensiones del diagrama de instalación se deben aumentar según el espesor del material resistente al fuego. Las dimensiones de abertura entre los postes se deben medir por el lado expuesto del material de la pared.

NOTA: En caso de instalar esta unidad junto a una pared de mampostería, planifique la instalación de plomería. Construya una pared de estructura separada, al menos a 6" (152 mm) de la pared de mampostería.

La bañera de hidromasaje y las paredes circundantes opcionales se pueden instalar directamente en la estructura de postes, de paneles de yeso u otro material resistente al agua. Cuando se instale sobre paneles de yeso de la pared u otro material de pared resistente al agua, se deben aumentar las dimensiones de la estructura tomando en cuenta el espesor del material.

Para bañeras de hidromasaje con paredes circundantes, no se recomienda instalar accesorios que requieran un refuerzo o soporte.

Instale un panel de acceso en el lado de la bañera que tiene el desagüe. El panel de acceso no se ilustra.

1. Construcción de la estructura de postes de madera

Instale la estructura de postes de madera

¡IMPORTANTE! Las dimensiones proporcionadas en el diagrama de instalación son críticas para una correcta instalación. Consulte la sección "Diagrama de instalación" para obtener las dimensiones.

¡IMPORTANTE! En las instalaciones con paredes circundantes, proporcione un soporte para los rebordes verticales de la pared a 31-1/2" (800 mm).

¡IMPORTANTE! Los postes de madera de la estructura deben quedar a plomo y a escuadra con una tolerancia de 1/8" (3 mm). Puede que necesite instalar cuñas.

- Con cuidado mida la bañera de hidromasaje.
- Construya una estructura de postes de madera de 2x4 según las dimensiones indicadas en la sección del diagrama de instalación.
- Construya un panel de acceso de 18" x 15" (457 mm x 381 mm) para el servicio de la bomba y los controles. Todos los postes de madera que queden arriba de la abertura de corte deben estar bien soportados en la cabecera.
- De ser posible, retire la solera inferior.
- Construya un panel de acceso que facilite el acceso para el mantenimiento de las griferías y el desagüe.

¡IMPORTANTE! Para las instalaciones con paredes circundantes, no permita que la fibra u otro tipo de aislamiento suave caiga en el canal posterior, pues esto podría dañar la bañera de hidromasaje.

- En las instalaciones con paredes circundantes, cubra o selle los materiales que estén sueltos.

NOTA: Si los rebordes del faldón no se van a utilizar o se han roto accidentalmente durante el envío, instale tres bloques de 2x4 a igual distancia detrás del faldón. Los bloques evitarán que el faldón se dañe y se pueden utilizar para fijar el faldón detrás de un zócalo.

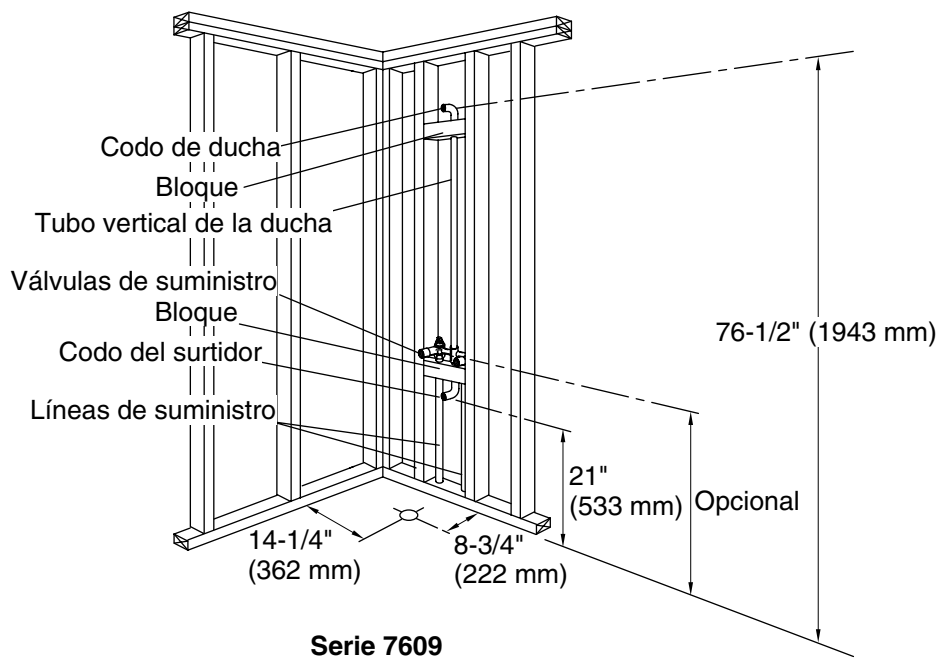
Construya el piso

¡IMPORTANTE! Construya el piso de madera contrachapada. Si la bañera de hidromasaje se instala sobre material que no sea madera contrachapada, con el tiempo la fricción podría causar rechinidos.

- Si el subpiso es de un material que no sea madera contrachapada, coloque el protector de fieltro provisto como apoyo para todos los soportes.
- Verifique que los rebordes del faldón se puedan fijar a los postes de madera o instale tres bloques de 2x4 justo detrás del lugar de instalación del faldón.

NOTA: La sección "Diagrama de instalación" indica la ubicación del desagüe.

- Corte un orificio en el piso lo suficientemente grande para el montaje del desagüe seleccionado para su instalación.



2. Instale las tuberías de plomería

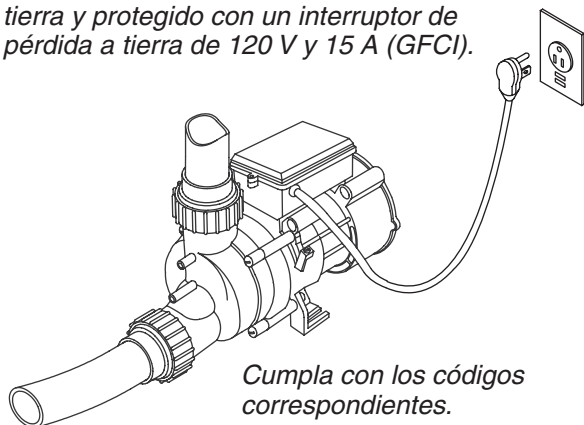
NOTA: Provea el acceso a todas las conexiones de plomería para facilitar el mantenimiento futuro.

- Sitúe las tuberías de desagüe según las dimensiones del diagrama de instalación.

NOTA: Si las tuberías se van a instalar en la pared de postes no acabada, instale los suministros **después** haber instalado las paredes circundantes.

- Coloque los suministros de agua según el diagrama de instalación. Tape los suministros y verifique que no haya fugas.
- Con una abrazadera para tubo, sujete las líneas de suministro a la estructura de postes de madera.
- Instale las válvulas según las instrucciones del fabricante. No instale la guarnición en este momento.

Instale un tomacorriente conectado a tierra y protegido con un interruptor de pérdida a tierra de 120 V y 15 A (GFCI).



Cumpla con los códigos correspondientes.

3. Instale el tomacorriente



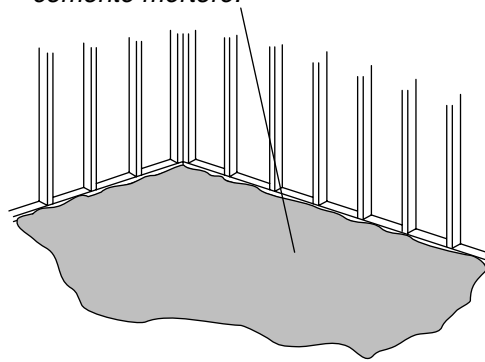
PRECAUCIÓN: Riesgo de lesiones personales. No encienda la unidad hasta que se le indique.

NOTA: La bañera de hidromasaje está equipada de un cable y un enchufe. Todo el cableado de la bomba y el control se ha realizado en fábrica.

NOTA: Consulte la etiqueta cerca de la bomba. Esta etiqueta identifica la capacidad nominal eléctrica y el número de modelo de la bañera de hidromasaje.

- Instale un tomacorriente con conexión a tierra, de 120 V, 15 A y protegido con un interruptor GFCI por detrás de la bañera de hidromasaje y a 24" (610 mm) del lugar de instalación de la bomba. Este circuito no debe tener ninguna otra carga.
- Instale un conductor de puesta a tierra (conexión a tierra) en el lugar de instalación de la bomba según los códigos locales pertinentes.

Aplique una capa de 2" (51 mm) de cemento mortero.



4. Prepare la bañera de hidromasaje

Prepare la bañera de hidromasaje

NOTA: Si la bañera de hidromasaje viene embalada con un revestimiento protector, no retire el revestimiento hasta que se haya terminado la obra. Si no hay ningún revestimiento protector disponible, coloque una lona gruesa y limpia o un material similar en el fondo de la bañera de hidromasaje.

- Instale el desagüe y el rebosadero de la bañera de hidromasaje a la unidad según las instrucciones del fabricante del desagüe. Aún no conecte la trampa.
- Si el subpiso es de un material que no sea madera contrachapada, coloque el protector de fieltro provisto como apoyo para los soportes de la bañera de hidromasaje.

¡IMPORTANTE! Riesgo de daños al producto. No levante la bañera de hidromasaje sujetándola del faldón o refuerzo del faldón, los tubos ni la bomba. No utilice los tubos ni la bomba como soporte estructural de la bañera de hidromasaje.

¡IMPORTANTE! Asegúrese de que cada refuerzo de faldón tenga todos los salientes conectados.

¡IMPORTANTE! Tenga cuidado de colocar correctamente la bañera de hidromasaje en el encajonado de tres paredes, puesto que la colocación correcta es crítica para la fijación a los postes de madera. Limpie todo el material del área del soporte de la bomba y de los soportes de la bañera de hidromasaje. El soporte de la bomba y los soportes de la bañera de hidromasaje deben apoyarse directamente en el subpiso.

- Con cuidado levante y coloque la bañera de hidromasaje en su lugar.
- Verifique que el soporte de la bomba y los soportes de la bañera de hidromasaje no se apoyen sobre la lechada.
- Verifique que la bañera de hidromasaje esté correctamente colocada con respecto a la pared acabada que se va a instalar. Dependiendo de la instalación, el borde exterior de la bañera de hidromasaje debe estar al ras con la pared acabada que se va a instalar al nivel del piso.
- Verifique que la bañera de hidromasaje esté nivelada y apoyada sobre todos los soportes. La bañera de hidromasaje debe estar a nivel dentro de 1/8" (3 mm) de lado a lado y dentro de 1/4" (6 mm) a lo largo. Si la bañera de hidromasaje no está nivelada, retire la bañera e instale cuñas debajo de los soportes.

Instale una lechada de mortero (se recomienda)

- Retire la bañera de hidromasaje del encajonado entre tres paredes.

NOTA: Los soportes de la bañera de hidromasaje deben apoyarse directamente sobre el subpiso.

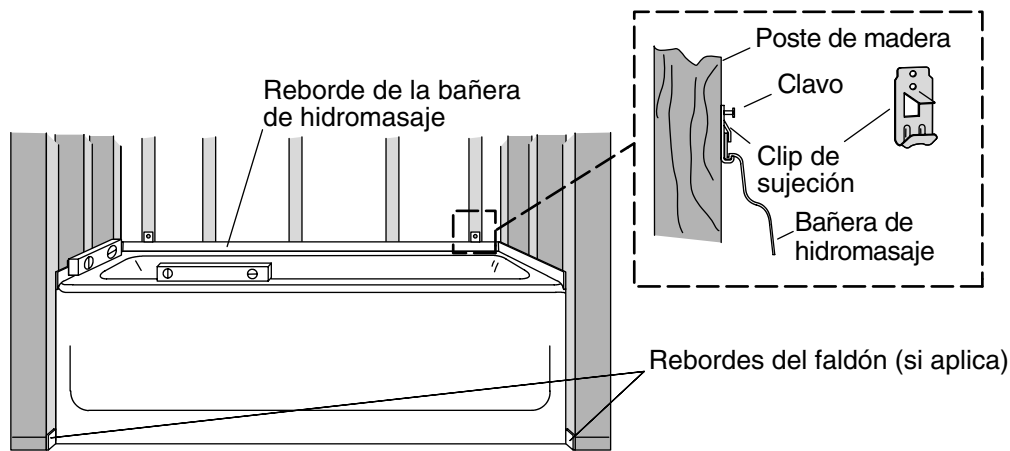
- Construya una barrera para que el revestimiento del piso no cubra la zona de desagüe.

Prepare la bañera de hidromasaje (cont.)

NOTA: No utilice cemento de yeso o pasta para paneles de yeso con esta aplicación, puesto que no proporcionarán el soporte adecuado.

NOTA: No aplique mortero en el área de los soportes de la bañera de hidromasaje.

- Aplique una capa de 2" (51 mm) de mortero en el subpiso.
- Retire la barrera.
- Desplace la bañera de hidromasaje a su lugar.
- Verifique que el soporte de la bomba no se apoye en la lechada.
- Verifique que la bañera de hidromasaje esté nivelada y apoyada sobre todos los soportes.



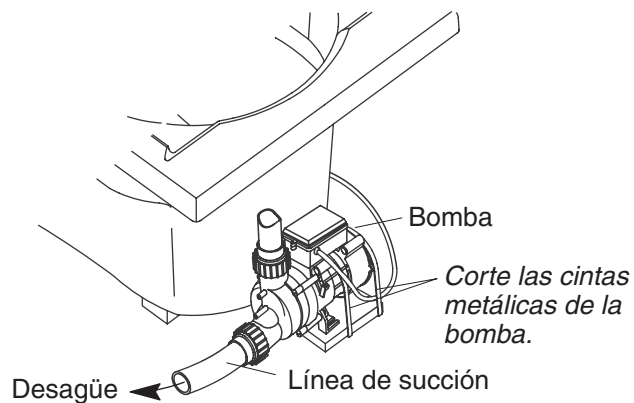
5. Fije la bañera de hidromasaje a la estructura de postes

Esta bañera de hidromasaje está diseñada para instalarse en una estructura con los postes espaciados a intervalos regulares. Si existe una separación entre el filo de la bañera de hidromasaje y el poste de madera, entonces añada cuñas al poste de madera hasta que esté a 1/8" (3 mm) de la bañera de hidromasaje.



PRECAUCIÓN: Riesgo de daños a la propiedad. No clave ni taladre a través del reborde de la bañera de hidromasaje, esto podría fisurar el reborde y causar fugas.

- Coloque el labio inferior del clip de sujeción en el lado del poste y por debajo del filo de la bañera de hidromasaje. Deslice el clip de sujeción en su lugar entre el centro del poste y la bañera de hidromasaje.
- Con unas pinzas doble la lengüeta del clip sobre el reborde de la bañera de hidromasaje.
- Fije el clip de sujeción en el centro del poste con clavos de techar de cabeza grande o tornillos de cabeza plana no cónica.



NOTA: Es posible que el modelo de bomba ilustrado sea diferente al producto que haya adquirido.

6. Corte las cintas que sujetan la bomba

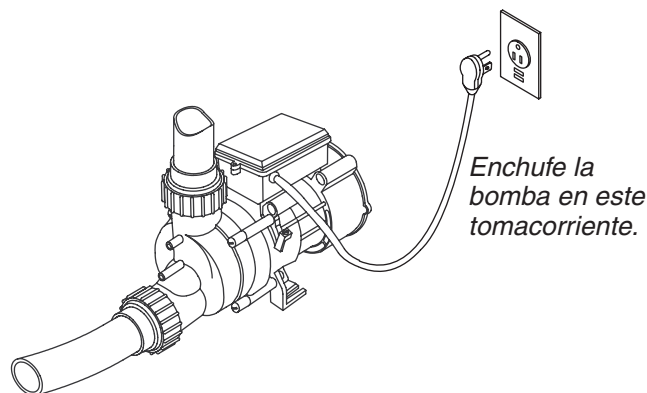
¡IMPORTANTE! Este paso es necesario para que su bañera de hidromasaje funcione más silenciosamente.

¡IMPORTANTE! No levante la bomba a mayor altura de la que tenía antes de cortar las cintas. Si la bomba está demasiado alta, no cebará correctamente.

- Con unas tijeras para chapa, corte las dos cintas en la bomba de la bañera de hidromasaje. Deseche las cintas.
- Asegúrese de que la bomba no entre en contacto directo con el arnés de la bañera de hidromasaje.

7. Conecte el desagüe

- Conecte el desagüe a la trampa según las instrucciones del fabricante.
- Revise que no haya fugas en las conexiones de desagüe.



8. Realice las conexiones eléctricas

Realice las conexiones



ADVERTENCIA: Riesgo de descarga eléctrica. Para reducir el riesgo de descarga eléctrica, conecte la bomba solamente a tomacorrientes correctamente conectados a tierra, protegidos con un interruptor de circuito con pérdida a tierra (GFCI). No retire la clavija de conexión a tierra del enchufe. No utilice un adaptador de conexión a tierra.

- Verifique que el tubo del accionador de aire esté bien sujeto a la bomba y al botón interruptor de aire en la bañera de hidromasaje.
- Asegúrese de que el tubo no esté pellizcado ni dañada y que el tubo encaje en su lugar en los adaptadores del interruptor y la bomba.
- Revise visualmente que la bomba de la bañera de hidromasaje y el arnés de tubos no presenten daños.
- Verifique que el conductor de puesta a tierra esté conectado a la bomba conforme a los códigos pertinentes.
- Enchufe el cable eléctrico en el tomacorriente GFCI.

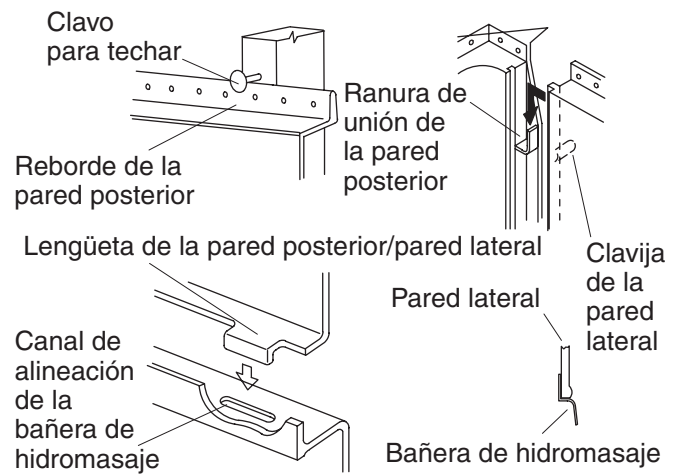
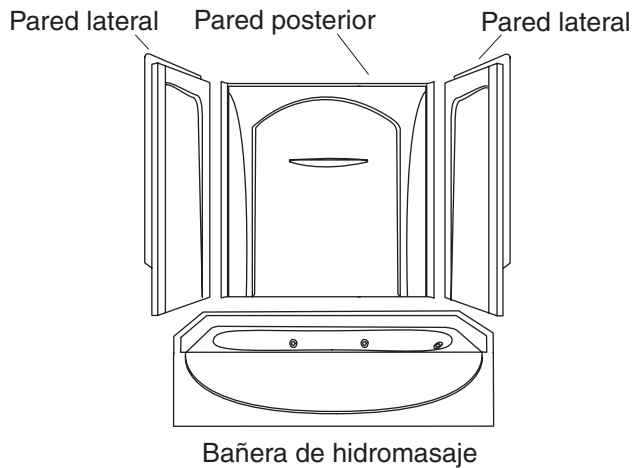
Pruebe el funcionamiento de la bañera de hidromasaje

Para obtener información adicional acerca del funcionamiento de la bañera de hidromasaje, consulte la sección "Confirme el funcionamiento correcto" de esta guía.



PRECAUCIÓN: Riesgo de daños a la propiedad. No llene la bañera de hidromasaje por encima de la parte inferior del rebosadero de desagüe. Pues ello puede provocar fugas en los tubos de la bañera de hidromasaje. La bañera de hidromasaje no está diseñada para retener el agua por encima del rebosadero.

- Revise todas las conexiones eléctricas y asegúrese de que la bañera de hidromasaje esté conectada a la alimentación eléctrica.
- Verifique que se hayan cortado las cintas de la bomba.
- Llene la bañera de hidromasaje con agua al menos 2" (51 mm) por encima del jet más alto.
- Haga funcionar la bañera de hidromasaje durante 5 minutos. Revise que no haya fugas en ninguna de las conexiones de los tubos de la bañera de hidromasaje.
- Apague la bañera de hidromasaje, luego drene.



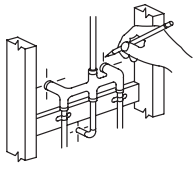
9. Ajuste inicial de las paredes circundantes

¡IMPORTANTE! No fije las paredes a la estructura de postes de madera hasta que se le indique.

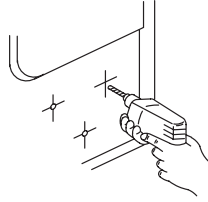
NOTA: Si las válvulas de la ducha o los controles no permiten que la pared se pueda colocar correctamente antes de perforar los orificios necesarios, perforo los orificios siguiendo la sección "Perfore orificios para las válvulas y el surtidor" y luego vuelva a este procedimiento.

NOTA: Cuando instale la pared posterior, encaje las lengüetas de la pared posterior en los canales de alineación de la bañera de hidromasaje, como se ilustra.

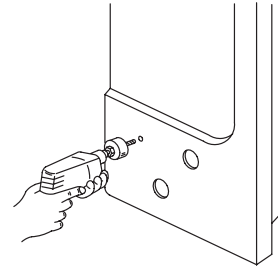
- Coloque la pared posterior en la bañera de hidromasaje.
- Fije la pared posterior provisionalmente sobre el reborde de la bañera de hidromasaje con un clavo de techar u otro herraje. Instale el herraje de manera que se pueda desmontar fácilmente. No introduzca el clavo demasiado de tal manera que la pared posterior no se pueda colocar correctamente cuando se instalen las paredes laterales.
- Conecte las dos paredes laterales a la pared posterior. Deslice las clavijas de las paredes laterales en las ranuras de unión de la pared posterior.
- Verifique que las paredes montadas se apoyen correctamente sobre la bañera de hidromasaje. Si es necesario ajustar las paredes circundantes, retire el clavo de techar de la pared posterior.
- Verifique que las paredes laterales estén al ras del borde de la bañera de hidromasaje. Si es necesario, mueva las paredes laterales hasta que estén al ras.
- Verifique que las secciones de las paredes estén bien alineadas con los postes en los rebordes superior y vertical de las paredes.



1. Marque el centro de las válvulas y del surtidor.



2. Taladre los orificios guía.



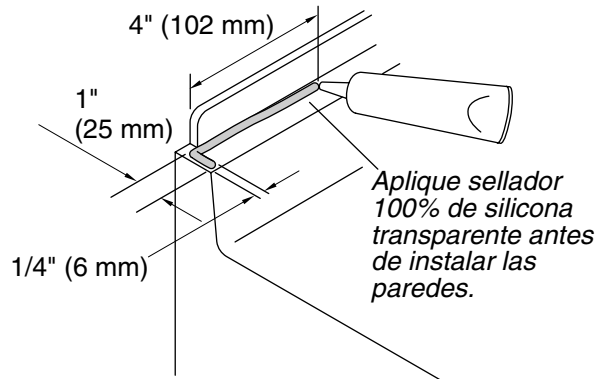
3. Perfore los orificios.

10. Perfore orificios para las válvulas y el surtidor

- Determine y marque la ubicación de los orificios para la válvula mezcladora, la ducha y el surtidor de la bañera en la superficie posterior de la pared circundante.
- Proteja la parte inferior de la unidad con un trapo limpio.
- Taladre orificios guía de 1/4" (6 mm) en los lugares marcados.

¡IMPORTANTE! Si se utiliza una corona perforadora redonda u otra herramienta que corte en la carrera de empuje, perfore los orificios desde el frente o lado acabado de la pared. Si utiliza una sierra caladora eléctrica u otra sierra de vaivén que corte en la carrera de tracción, perfore los orificios desde el lado posterior de la pared.

- Con cuidado corte los orificios en la unidad.
- Limpie la bañera de hidromasaje para reducir el riesgo de daños en la superficie. Tenga cuidado de no rayar la superficie de la unidad.

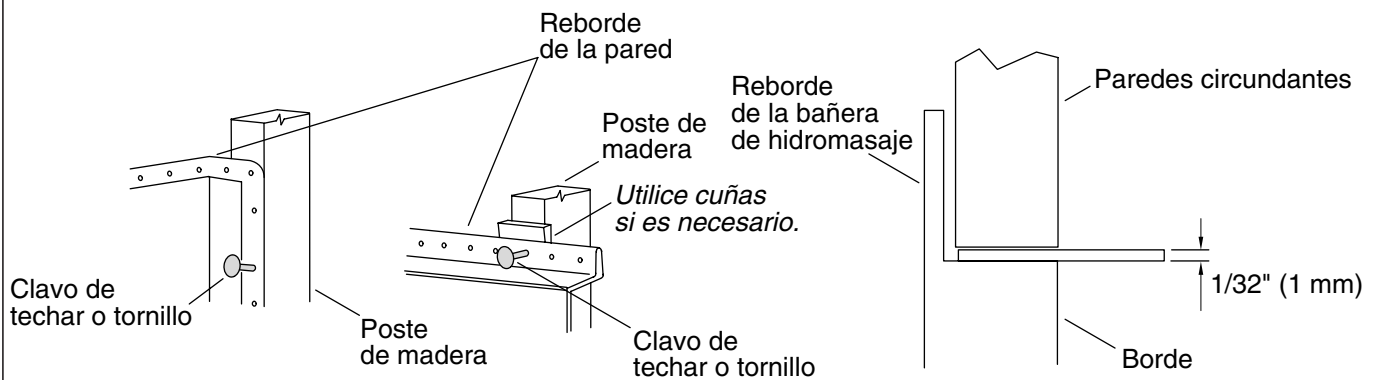


11. Aplique sellador de silicona

¡IMPORTANTE! Utilice sellador 100% de silicona transparente. Los selladores de látex o látex siliconado no proporcionan resistencia al agua y al moho durante la vida útil del producto.

¡IMPORTANTE! No deje que el sellador se seque antes de instalar las paredes laterales. Después de aplicar el sellador, continúe inmediatamente en la sección "Instale las paredes circundantes" en esta guía.

- Limpie y seque las pulgadas exteriores del reborde de la bañera en el lugar donde se instalarán las paredes laterales.
- Aplique una tira en forma de L de sellador 100% de silicona transparente en cada extremo exterior del reborde donde se van a instalar las paredes laterales. Aplique una tira de 1/4" (6 mm) de ancho y 1" (25 mm) por 4" (102 mm) de largo, como se muestra en la ilustración.



12. Fije las paredes circundantes

Fije las paredes circundantes

- Conecte la pared lateral a la pared posterior encajando las lengüetas con las ranuras de unión.
- Retire el clavo provisional de la parte superior del reborde de la pared posterior.



PRECAUCIÓN: Riesgo de daños a la propiedad. Las paredes circundantes deben apoyarse dentro de 1/32" (1 mm) o el grosor de una tarjeta de crédito, del borde de la bañera de hidromasaje para evitar fugas.

- Verifique que todas las paredes estén bien asentadas sobre la bañera de hidromasaje y que las ranuras de unión de la pared posterior estén engranadas.
- Asegúrese de que los bordes frontales de las paredes laterales estén al ras del filo frontal de la bañera de hidromasaje. Si hay una separación, jale un poco las paredes laterales hacia adelante para eliminar la separación.



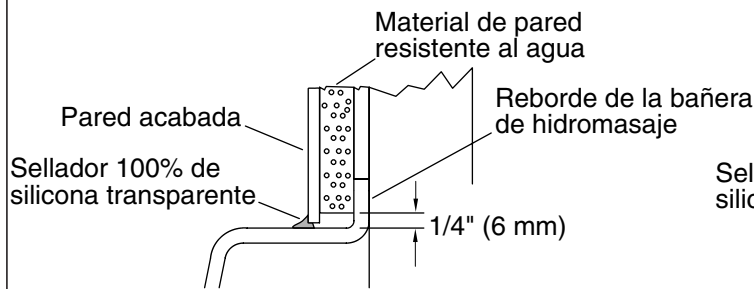
PRECAUCIÓN: Riesgo de daños a la propiedad. Si va a utilizar tornillos en vez de clavos, utilice tornillos de cabeza plana no cónica. **No apriete demasiado.** El apretar demasiado puede dañar el reborde y causar fugas.

- Comenzando en la parte inferior de las paredes laterales y avanzando hacia arriba, fije las paredes laterales con clavos de techar de cabeza grande o tornillos de cabeza plana no cónica en las hendiduras de los rebordes verticales de las paredes.
- Fije los rebordes a lo largo de la parte superior de los paneles murales, en los lugares donde haya postes.

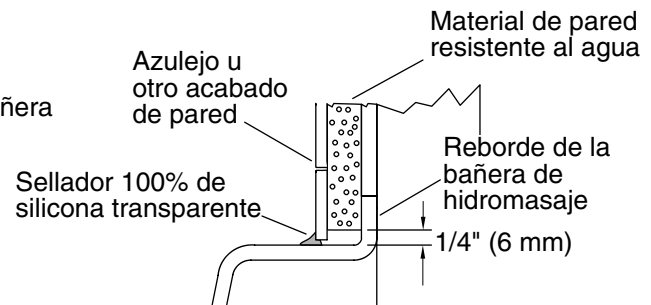
Selle las paredes circundantes

NOTA: Al aplicar el material de pared resistente al agua sobre los rebordes de la bañera de hidromasaje, mantenga una separación de 1/8" (3 mm) entre las paredes circundantes y el material de la pared. Esta separación sirve como una barrera de contacto en caso de el agua llegara a entrar detrás del sellador aplicado.

- Cubra los rebordes alrededor de las paredes circundantes y de la bañera de hidromasaje con material de pared resistente al agua, dejando una separación de 1/8" (3 mm) entre los rebordes y el material de la pared.
- Selle la separación entre los rebordes y el material de la pared acabada con sellador 100% de silicona transparente. Deje que el sellador se seque según las instrucciones del fabricante.
- Aplique sellador 100% de silicona transparente entre la bañera de hidromasaje y el material de la pared acabada para sellar las juntas.



Bañera de hidromasaje con material de pared resistente al agua y pared acabada



Bañera de hidromasaje con azulejos, mármol, etc.

13. Termine la pared acabada

NOTA: Ubique y determine el tamaño de los orificios para las válvulas, el control de la ducha, el surtidor y/o la ducha en las paredes según los requisitos del fabricante.

¡IMPORTANTE! Al aplicar el material de pared resistente al agua sobre el reborde de la bañera de hidromasaje, deje una separación de 1/4" (6 mm) entre el filo del borde de la bañera de hidromasaje y el material de la pared. Esta separación ayuda a reducir la posibilidad de que el agua se filtre hacia el material de la pared.

- Limpie el polvo y los residuos del reborde de la bañera de hidromasaje.
- Cubra la estructura de postes de madera con material de pared resistente al agua.
- Selle la separación de 1/4" (6 mm) entre el filo del borde de la bañera de hidromasaje y el material de pared resistente al agua con sellador 100% de silicona.
- Instale la pared acabada sobre el material de pared resistente al agua.

14. Termine la instalación



PRECAUCIÓN: Riesgo de daños a la propiedad. Verifique que haya un sello impermeable alrededor del desagüe y rebosadero de la bañera de hidromasaje, de lo contrario la bañera de hidromasaje tendrá fugas.

Para todas las instalaciones

- Aplique sellador 100% de silicona transparente en todas las aberturas alrededor de las válvulas y de las salidas antes de instalar las placas o bridas. Deje que el sellador seque.
- Instale la guarnición de la grifería según las instrucciones del fabricante.
- Saque el revestimiento protector de la bañera de hidromasaje.
- Aplique sellador 100% de silicona transparente entre la bañera de hidromasaje y el piso acabado o zócalo.
- Deje que el sellador se seque según las instrucciones del fabricante.

Para instalaciones de accesorios misceláneos



PRECAUCIÓN: Riesgo de daños a la propiedad. No haga orificios adicionales en las paredes circundantes o en la bañera de hidromasaje sin aplicar un sellador 100% de silicona transparente adecuado. Los orificios adicionales hechos para instalar accesorios pueden causar fugas.

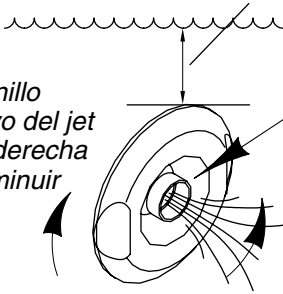
Termine la instalación (cont.)

NOTA: En las instalaciones con paredes circundantes, instale el cortinero de ducha arriba de la parte superior de las paredes circundantes.

- Instale los accesorios conforme a las instrucciones del fabricante.
- Verifique que todos los orificios en la pared acabada estén correctamente sellados con sellador 100% de silicona.

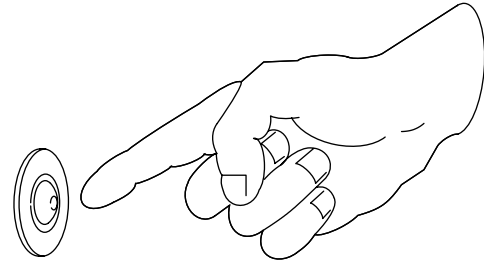
Llene de agua por lo menos 2" (51 mm) arriba del jet más alto.

Gire el anillo decorativo del jet hacia la derecha para disminuir el flujo.



Oriente las boquillas de los jets para dirigir el flujo de agua en la dirección deseada.

Gire el anillo decorativo del jet hacia la izquierda para aumentar el flujo.



Presione el accionador de aire para encender o apagar la bañera de hidromasaje.

15. Confirme el funcionamiento correcto

Verificación de la instalación

- Verifique todas las conexiones eléctricas.
- Verifique que se hayan cortado las cintas de la bomba.

Llene la bañera de hidromasaje

- Coloque las boquillas de los jets de manera que miren hacia abajo en la bañera. Gire los anillos decorativos de los jets totalmente hacia la izquierda.
- Llene la bañera de hidromasaje al menos 2" (51 mm) más arriba de la parte superior del jet más alto.

Secuencia de funcionamiento

NOTA: Si surge algún problema con la secuencia de funcionamiento, consulte la sección "Guía para resolver problemas".

- Presione el interruptor de aire para encender los jets de la bañera de hidromasaje.
- Verifique la bomba se encienda y funcione sin ruido o vibración excesivos.
- Verifique que el agua circule y fluya de cada jet.
- Ajuste cada jet para un flujo óptimo. Gire el anillo decorativo del jet hacia la derecha para reducir el flujo, y hacia la izquierda para aumentarlo.
- Oprima el interruptor de aire por segunda vez para apagar la bañera de hidromasaje.
- Vacíe la bañera de hidromasaje.

Resolución de problemas

Esta guía para resolver problemas está diseñada únicamente como ayuda general. Todos los problemas eléctricos deben ser resueltos por un representante de servicio autorizado o un electricista calificado. Para obtener servicio cubierto por la garantía, póngase en contacto con el vendedor o el distribuidor mayorista.

Síntomas	Causas probables	Acción recomendada
1. La bañera de hidromasaje no se enciende/apaga.	A. El motor de la bomba no tiene alimentación eléctrica.	A. Encienda/reinicie el interruptor de circuito GFCI Revise el cableado.
	B. El accionador de aire no funciona.	B. Reemplace el accionador de aire. Revise el tubo de aire entre el accionador y la bomba. Reemplace si es necesario.

Resolución de problemas (cont.)

Síntomas	Causas probables	Acción recomendada
	C. El motor/bomba no funciona.	C. Repare o reemplace el motor/bomba.
2. El motor se enciende, pero no todos los jets funcionan.	A. El jet está cerrado.	A. Gire el anillo decorativo del jet hacia la izquierda para abrirlo.
	B. El jet está obstruido.	B. Elimine la obstrucción.
3. La bañera de hidromasaje se detiene automáticamente.	A. El GFCI se ha disparado.	A. Identifique la causa de la falla y corrija.
	B. La succión está obstruida.	B. Elimine la obstrucción.
	C. Los jets están obstruidos.	C. Elimine la obstrucción.
	D. El motor se ha sobrecalentado, activando el dispositivo de protección.	D. Verifique que no haya obstrucciones en las ventilaciones del motor. Elimine la obstrucción y deje enfriar el motor.
4. Funcionamiento ruidoso.	A. Las cintas de la bomba no se han cortado.	A. Corte las cintas con unas tijeras para chapa.
5. Se ha detectado una fuga bajo la bañera de hidromasaje.	A. Las tuberías presentan fugas.	A. Repare las fugas en las tuberías.
	B. Aplicación incorrecta del sellador.	B. Aplique sellador 100% de silicona transparente según sea necesario.
6. Se ha detectado moho (para las unidades con paredes circundantes).	A. El canal de desagüe está obstruido.	A. Utilice un objeto afilado de madera o de plástico para raspar el material acumulado en la junta. Aumente la frecuencia de limpieza.
7. Daños causados por el agua en las paredes acabadas.	A. La junta de la pared acabada no está sellada.	A. Selle la junta con sellador 100% de silicona transparente según las instrucciones del fabricante.

USA: 1-800-STERLING
(1-800-783-7546)

México: 001-877-680-1310

SterlingPlumbing.com

STERLING
A KOHLER COMPANY

©2011 Kohler Co.

1016903-2-F